

WATER FORCE

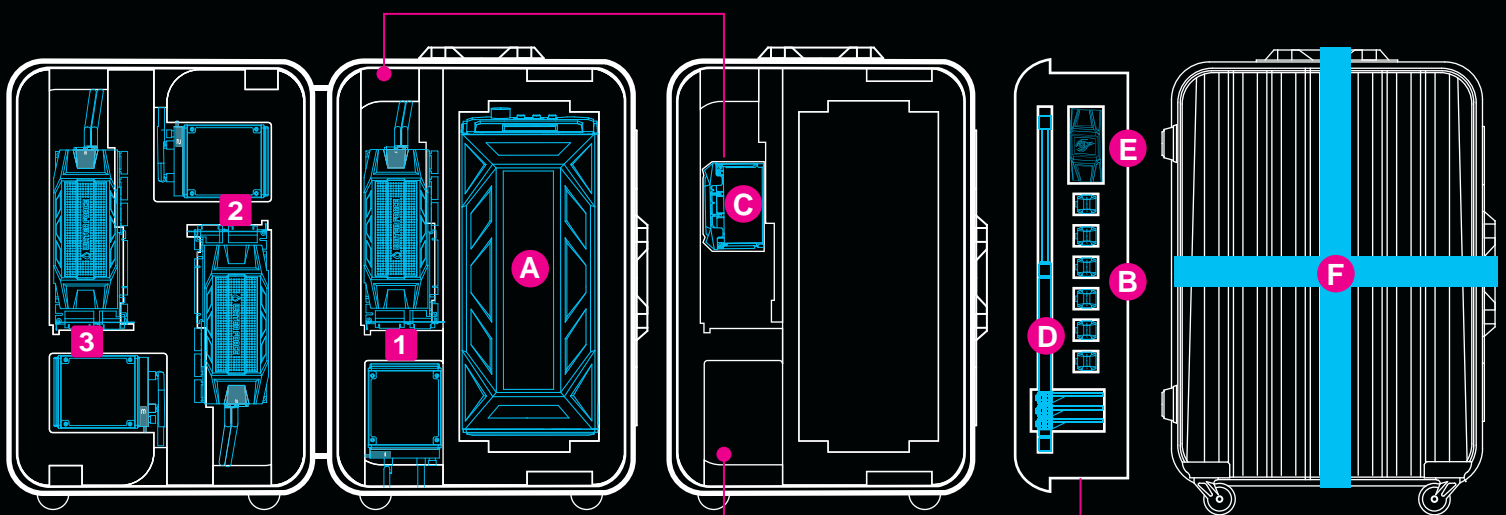
Installation Guide



Scan the QR code or visit <http://www.gigabyte.com/MicroSite/374/index.html> to watch the installation video

THE CONTENT OF TRUNK

The trunk is covered with the tearable plastic wrap.

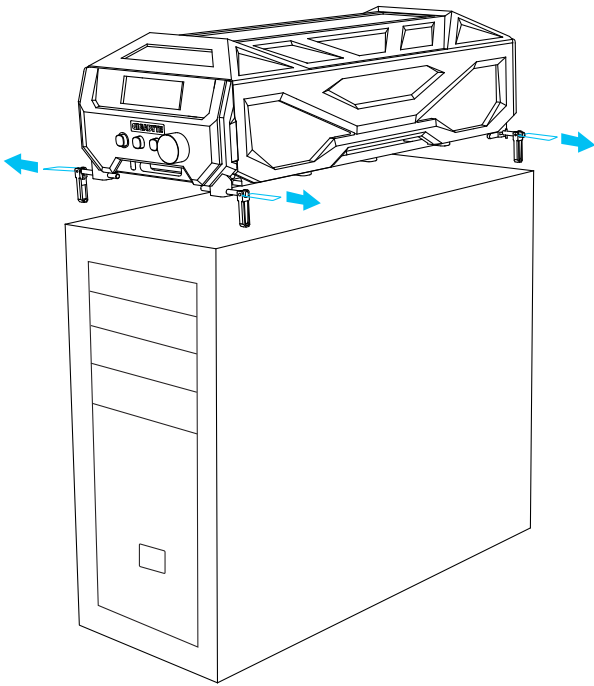


- 1** GRAPHIC CARDS + RADIATOR 1
- 2** GRAPHIC CARDS + RADIATOR 2
- 3** GRAPHIC CARDS + RADIATOR 3

- A** WATERCOOLING BOX
- B** PIPE CLAMPS (total 6 pcs)
- C** CD-ROM BOX

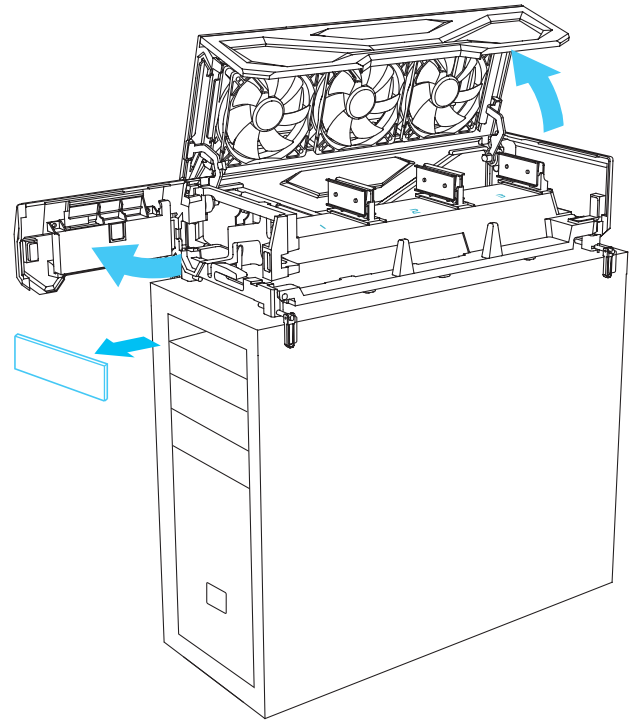
- D** VGA JACK
- E** 3-WAY SLI BRIDGE
- F** STRAPS(total 2 pcs)

Step 1



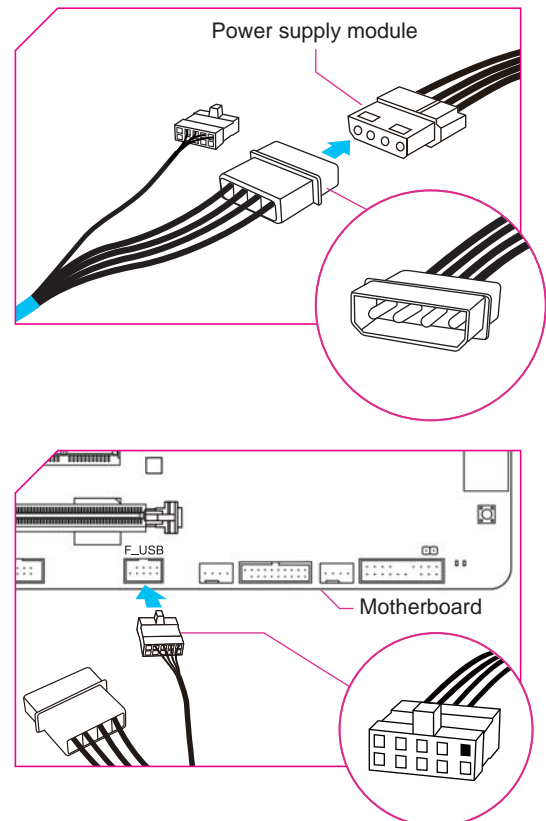
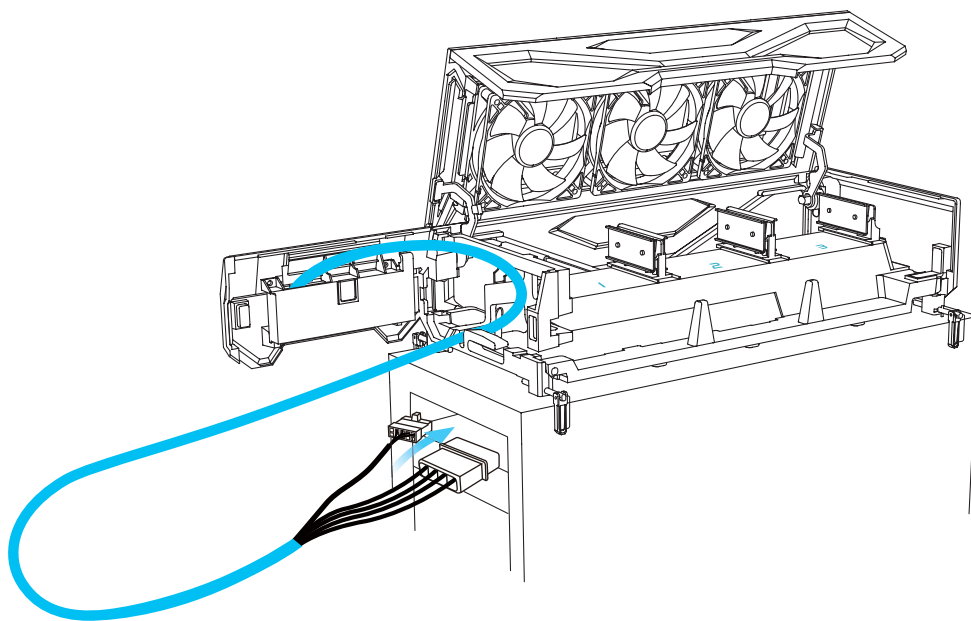
Open the trunk and take out **A WATERCOOLING BOX**. Place the box on the computer chassis, and use the pins for stabilizing.

Step 2



Open the top cover and front cover of **A WATERCOOLING BOX**. Remove the first drive bay cover from the computer chassis.

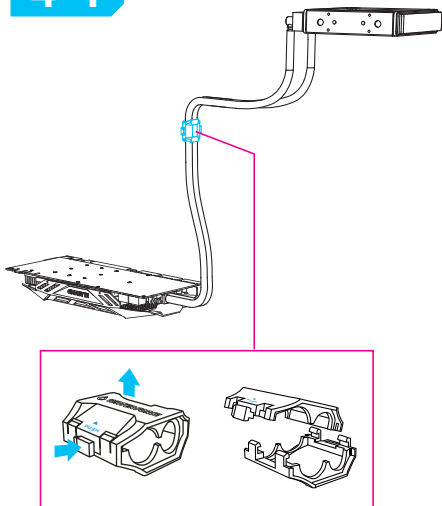
Step 3



Connect the USB to the motherboard. And connect the power connector to the power supply module.

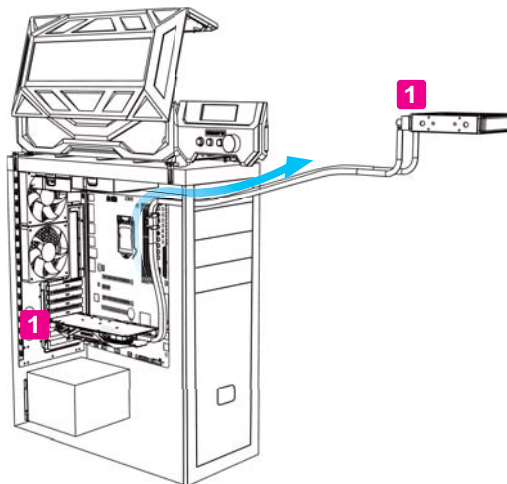
Step 4

4-1



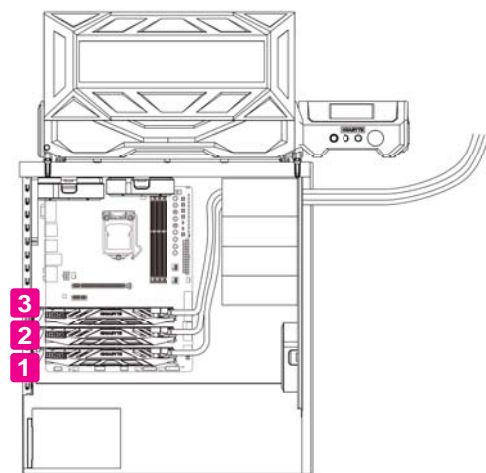
Use **B PIPE CLAMPS** to fix the pipes

4-2



Plug **1 GRAPHICS CARD 1** into the PCI-E slot on the motherboard and pull out the **1 RADIATOR 1** from the chassis through the first drive bay.

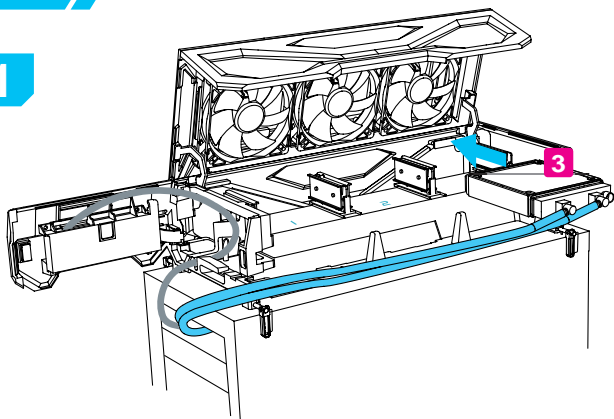
4-3



Follow Step **4-1** to **4-2** to install **2 GRAPHICS CARD 2** and **3 GRAPHICS CARD 3** accordingly.

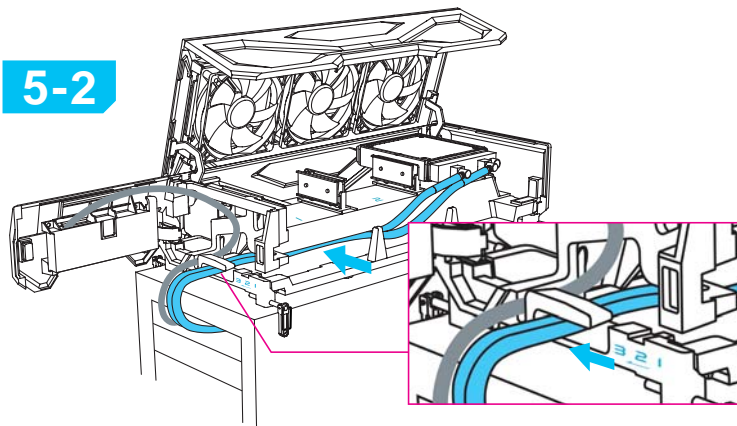
Step 5

5-1



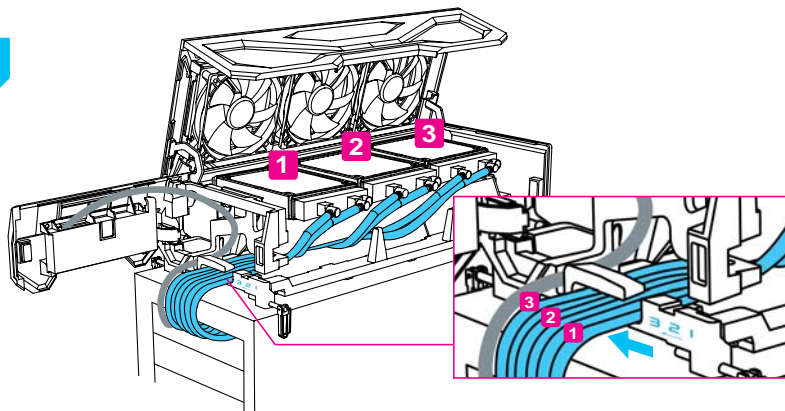
Place **3 RADIATOR 3** into **A WATERCOOLING BOX**.

5-2



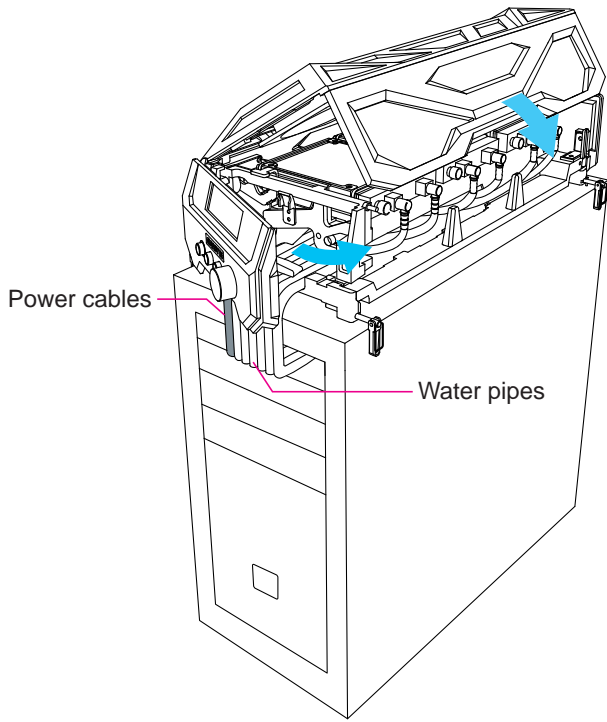
Embed the pipes into the pipe slot.

5-3



Follow Step **5-1** to **5-2** to install **2 RADIATOR 2** and **1 RADIATOR 1** accordingly. And embed the pipe 2 and pipe 1 into the pipe slot.

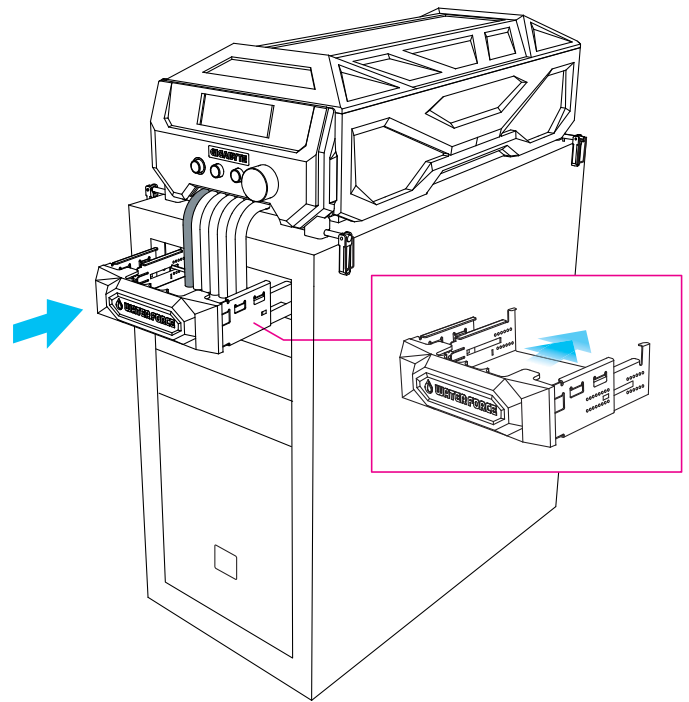
Step 6



Close the top cover and front cover of **A WATERCOOLING BOX**.

Tips: Please note the power cables and water pipes need to be well-stored as shown in picture.

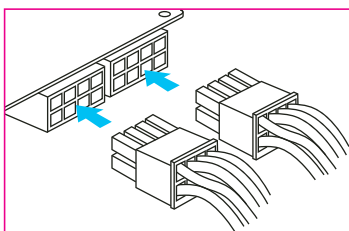
Step 7



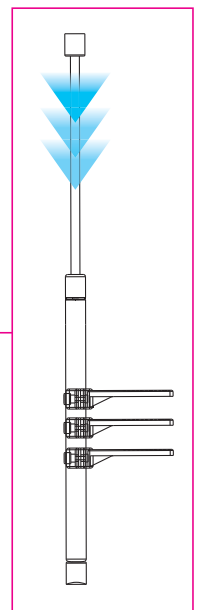
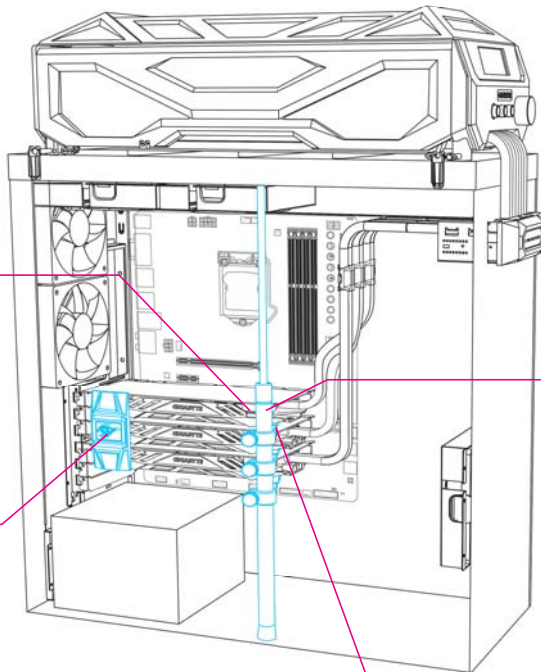
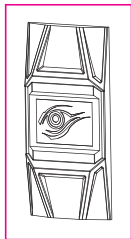
Insert the **C CD-ROM BOX** inside the drive bay.

Tips: If the CD-ROM BOX cannot be well-fixed to the chassis, users may extend the arm of the CD-ROM BOX to strengthen to structure.

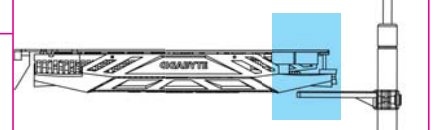
Step 8



Connect each VGA cards with two 8-pin power cables.



Recommended area for VGA JACK



Use **D VGA JACK** to safely support the cards. Connect 3 VGA cards together by using the **E 3-WAY SLI BRIDGE**. Close the chassis, turn on the power, and install OC GURU II and Graphics card driver to get started.