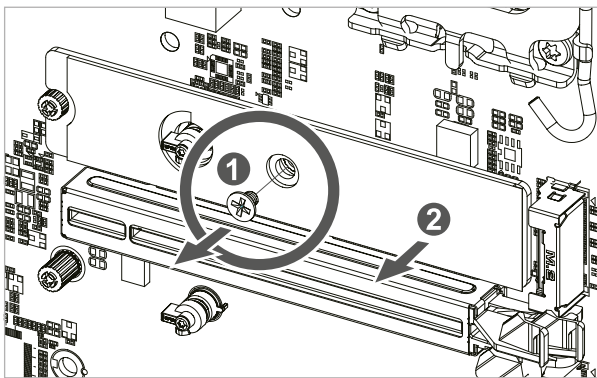


Caution:

Please remove M.2 heatsink of the motherboard before installing the M.2 Thermal Guard XTREME which is offered with.

使用隨附的M.2 Thermal Guard XTREME散熱器之前，必須先移除主機板散熱片後再安裝。

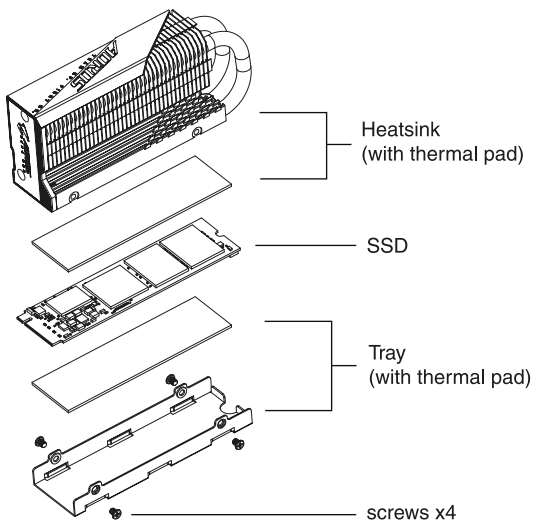
1. Remove the screw.
卸除螺絲。
2. Remove the M.2 heatsink.
卸除散熱片。



※ Depending on the design of the motherboard, be sure to replace the standoff after removing the M.2 heatsink to install the SSD.

依主機板設計不同，若移除主機板的M.2散熱片，需鎖回螺柱後才能安裝SSD。

How to Install the heatsink on a M.2 SSD



How to Install the heatsink on a M.2 SSD

Step1: Remove the bottom thermal pad liner and place the SSD in the tray.*

* Ensure the SSD fit into the tray as oriented in the picture.



Step2: Remove the top thermal pad liner. After that, align the top heatsink section over the SSD and the tray.

Step3 : Insert 2 screws on each side.

How to remove the heatsink on a M.2 SSD

To remove the heatsink of the SSD, please follow the instruction from step3 to step1.