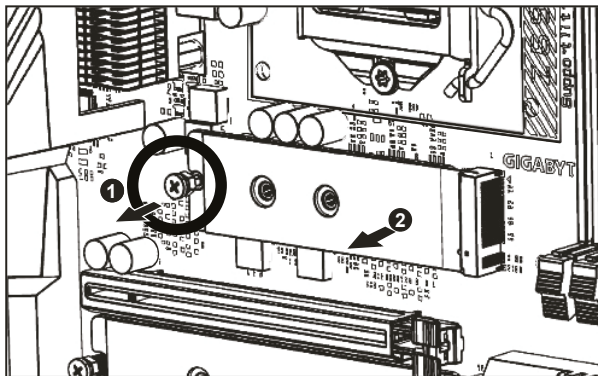


Caution:

Check if the motherboard has an M.2 heatsink or not. If yes, remove it before installing the SSD.

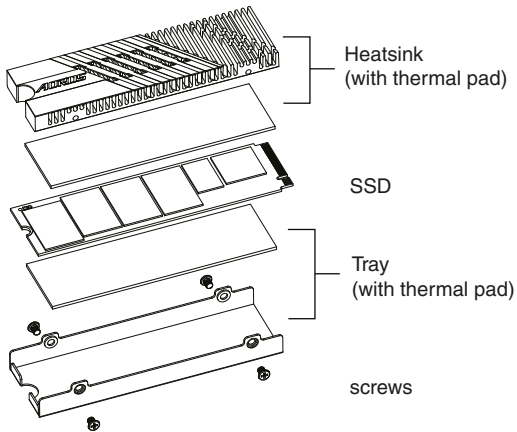
安裝SSD前，若主機板帶有M.2散熱片，必須先移除散熱片後再安裝。

1. Remove the screw.
卸除螺絲。
2. Remove the M.2 heatsink.
卸除散熱片。



※ Be sure to replace the standoff after removing the M.2 heatsink in order to install the SSD.
主機板的M.2散熱片移除後須再將螺柱鎖回才能安裝SSD。

How to Install the heatsink on a M.2 SSD



How to Install the heatsink on a M.2 SSD

Step1: Remove the bottom thermal pad liner and place the SSD in the tray.

Step2: Remove the top thermal pad liner. After that, align the top heatsink section over the SSD and the tray.

Step3 : Insert 2 screws on each side.

How to remove the heatsink on a M.2 SSD

To remove the heatsink of the SSD, please follow the instruction from step3 to step1.