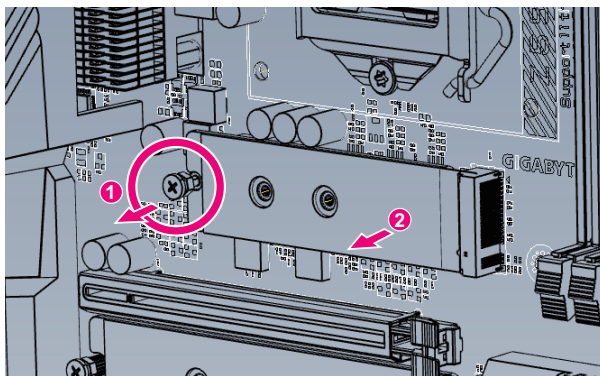


Caution:

Check if the motherboard has an M.2 heatsink or not. If yes, remove it before installing the SSD.

安裝SSD前，若主機板帶有M.2散熱片，必須先移除散熱片後再安裝。

1. Remove the screw.
卸除螺絲。
2. Remove the M.2 heatsink.
卸除散熱片。



※ Be sure to replace the standoff after removing the M.2 heatsink in order to install the SSD.
主機板的M.2散熱片移除後須再將螺柱鎖回才能安裝SSD。