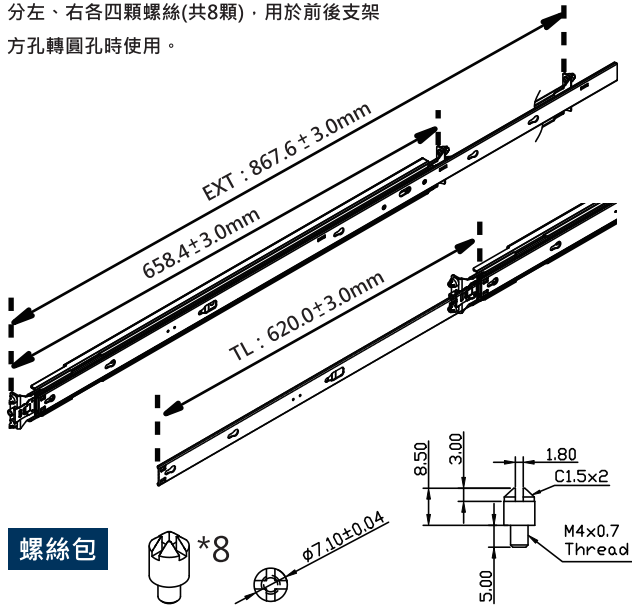


# 快速安裝說明

請務必於安裝前閱讀本說明書，請注意本導軌系統荷重在70LBS(32KGS)之內1U或是2U伺服器設計，不建議用在3U或以上單位的伺服器上。

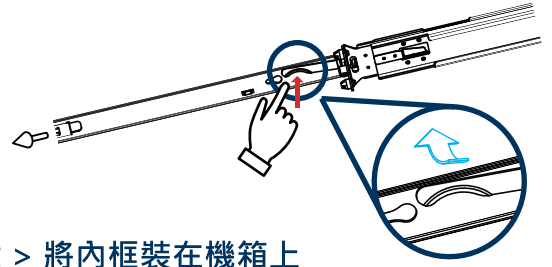
導軌長度為 $658.4 \pm 3.0\text{mm}$ ，後支架可延伸至 $867.6 \pm 3.0\text{mm}$ ，導軌展長距離為 $620.0 \pm 3.0\text{mm}$ 。標準包裝會包含整組滑軌與一包螺絲，分左、右各四顆螺絲(共8顆)，用於前後支架方孔轉圓孔時使用。



## 步驟1 > 拆離內框

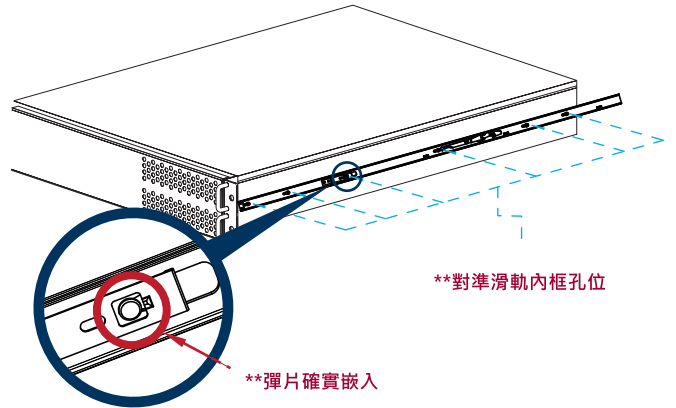
拉出滑軌，如圖示：

\*\*下撥分離鐵片，順勢抽出滑軌內框。



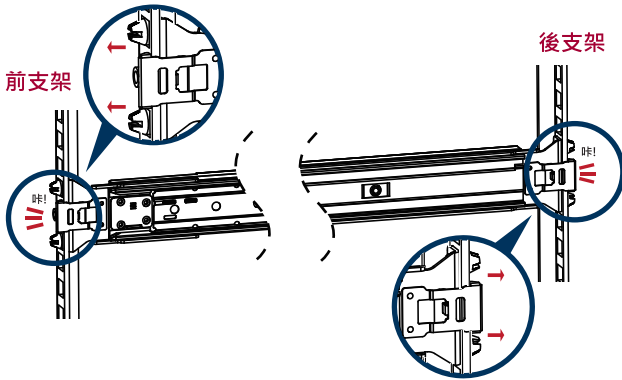
## 步驟2 > 將內框裝在機箱上

對準機箱上的鉚釘，將滑軌內框向後嵌入固定。



## 步驟3 > 將滑軌外框固定在機架上

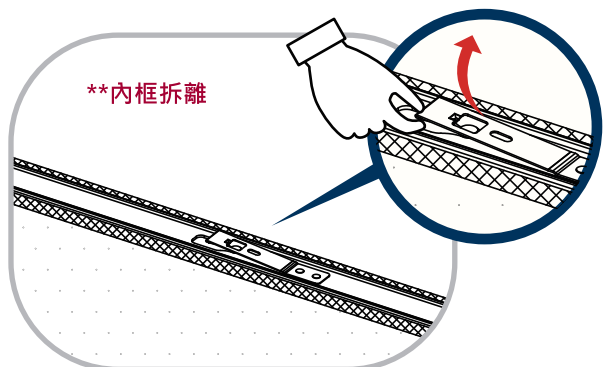
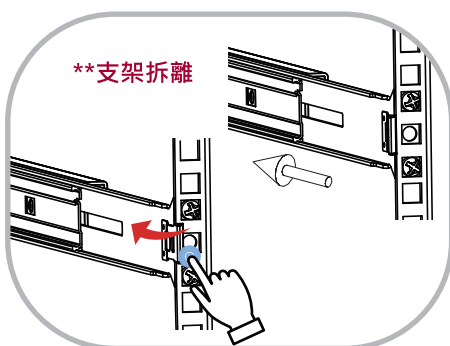
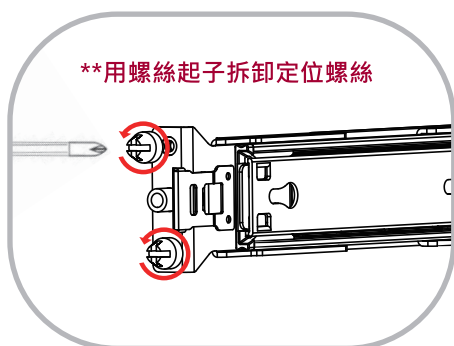
將定位螺絲嵌入機架上對應位置，聽到彈片“咔”一聲，代表定位完成。



\*\*後支架可伸縮延長，前支架為滑軌抽出位置

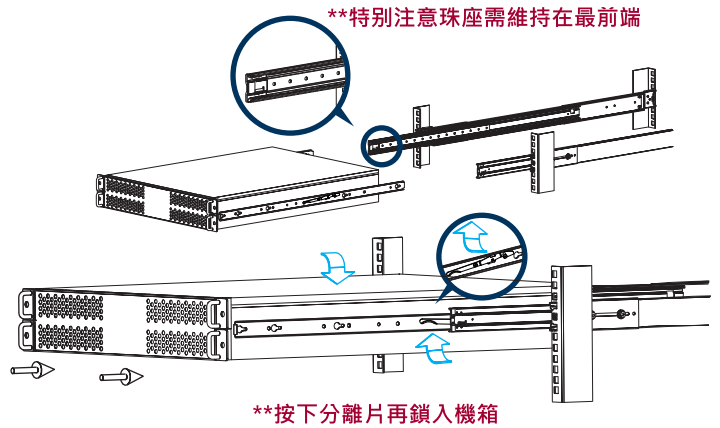
## \*注意 > 方孔轉圓孔 / 支架拆離 / 內框拆離

配件包內提供可替換的雙孔定位螺絲。



## 步驟4 > 機箱上架

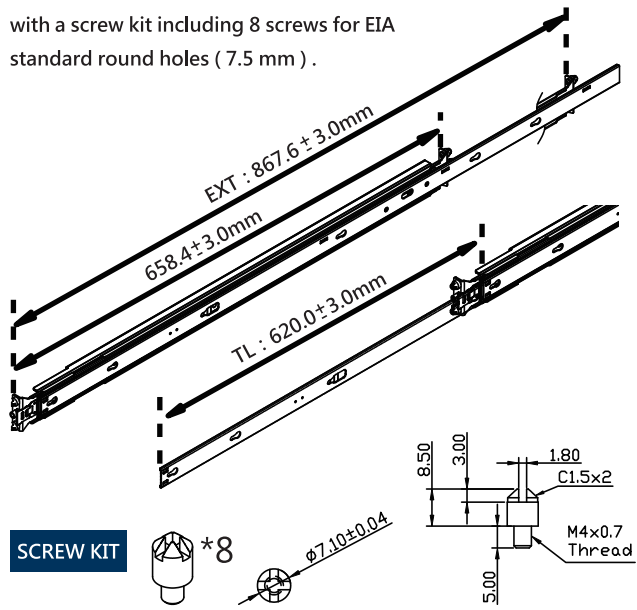
如圖示將固定在機箱上的內框插入外框，特別注意，珠座需在最前端。如果珠座未能在前端，強行插入內框會導致導軌被破壞。當插入內框後，需在按下分離片解鎖，再推入機箱。



# Quick installation Guide

Please read prior to installation . The server slides are developed for 1U or 2U applications of which system load does not exceed 70 lbs .

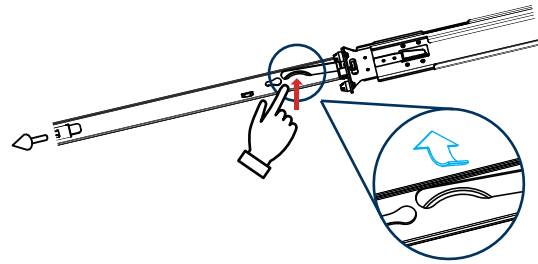
The slide length is  $658.4 \pm 3.0\text{mm}$  . Rear bracket is extendable to maximum rack to rack distance  $867.6 \pm 3.0\text{mm}$  . The slide extension is  $620.0 \pm 3.0\text{mm}$  . You shall find 1 Pair of slides ( universal ) with a screw kit including 8 screws for EIA standard round holes ( 7.5 mm ) .



## Step 1 > Remove inner member

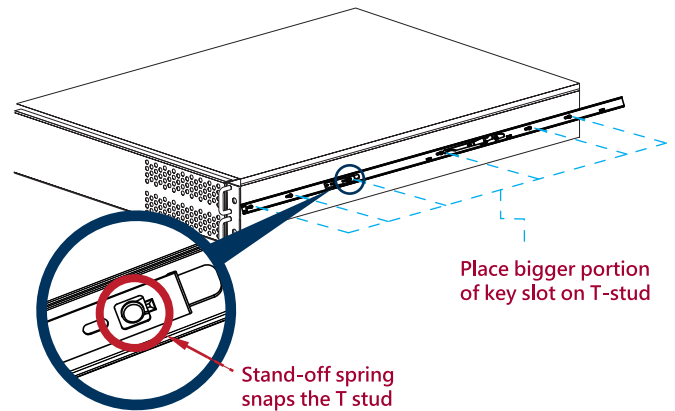
☞ Pull inner member out as the illustration :

Push the lever , and pull the inner member out .



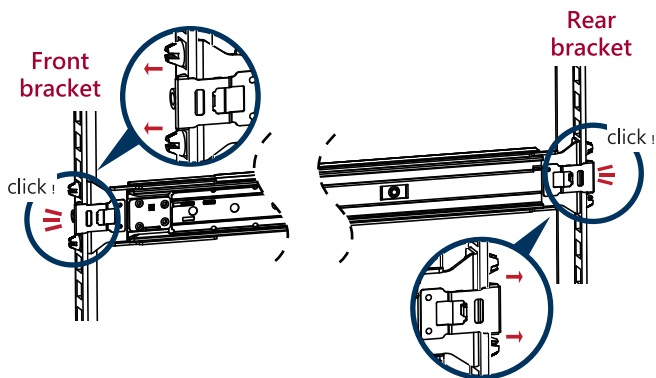
## Step 2 > Mount the inner member to the chassis

☞ Place the key slot on T stud , and push the inner member toward the back .



## Step 3 > Mount the cabinet member to the posts

☞ Align the positioning pin to the desired complete U location , and pull the bracket forwards to lock it to the post . The bracket is locked to the post after you hear " click " sound .

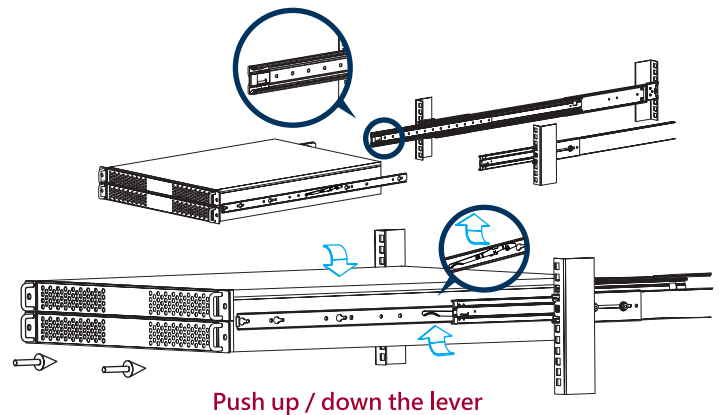


Rear bracket is extendable .  
 Front bracket is in the open position .

## Step 4 > Install the chassis

☞ As shown , insert the inner member to the cabinet member . Make sure the ball retainer is in the open position . It might cause catastrophic damage to the slides if ball retainer is not on the front position . After the inner goes into , please push up / down the disconnect lever to unlock the slides , so that you may keep pushing the chassis to the fully closed position .

Attention please , ball retainer must be in the open position.



## \*Tips > Square to Round / Uninstall the brackets / Remove the inner member

☞ Screw kit has positioning pins for round holes .

