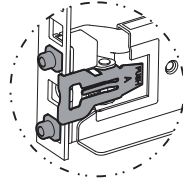
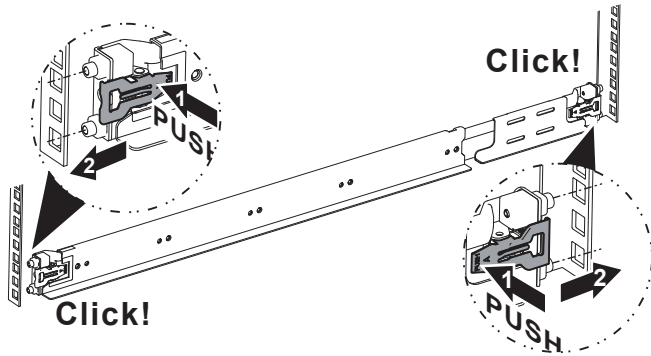


## 安裝 Installation

- 1) 將滑軌安裝上機櫃。  
Attach the rails to the rack.



機櫃為方孔柱請注意要將滑軌  
滑軌完整裝入機柱空孔內  
**Caution for Square Hole**  
Post Square stud must be  
fully attached inside the  
square hole on the rack rail.

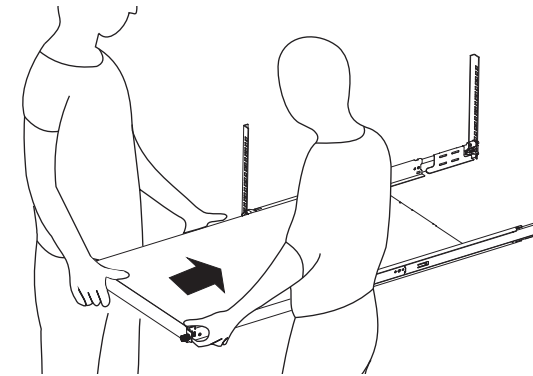
- 2) 安裝機箱。  
Install the chassis.

(A) 請確保至少2人操作安裝機箱。

**Must be done with at least 2 people.**

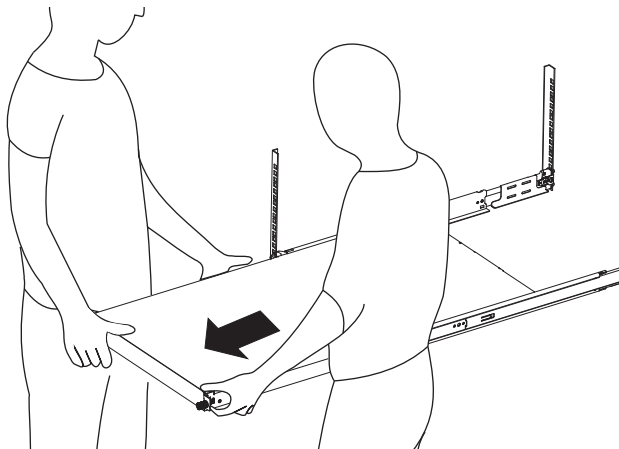
(B) 正確地將機箱安裝入滑軌L葉片上。

**Properly place the chassis directly on the bracket and install**



## 移除 Removal

- 1) 將機箱由機櫃中移除。  
Remove the chassis from the rack.



- 3) 按壓PUSH釋放件將滑軌由機櫃上移除。  
Remove slide rail from rack.

