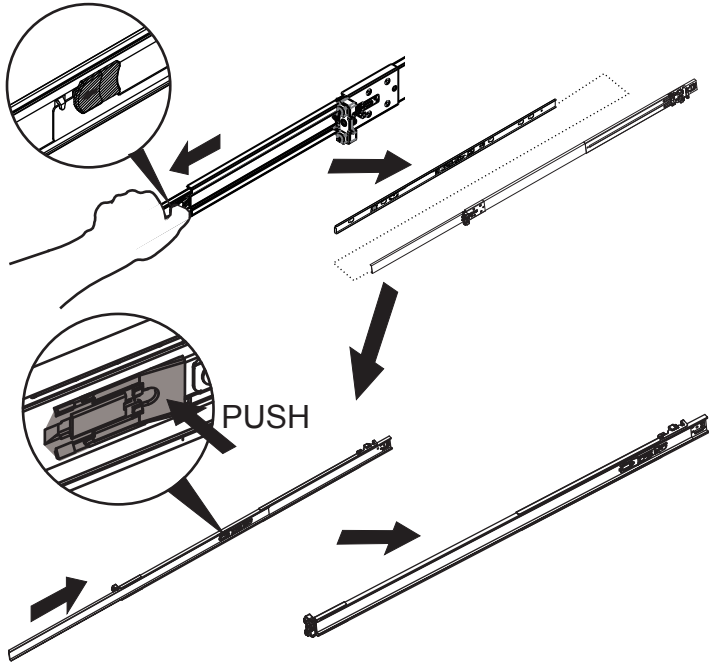
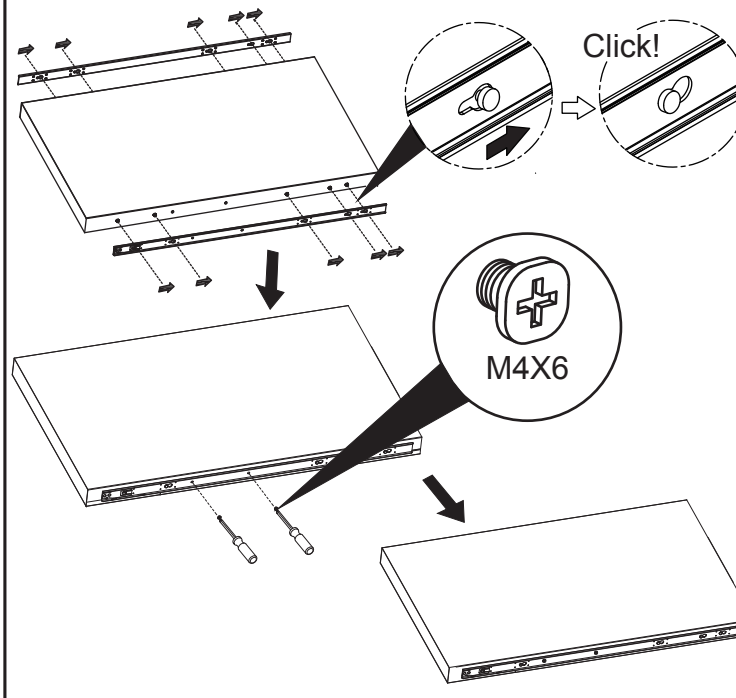


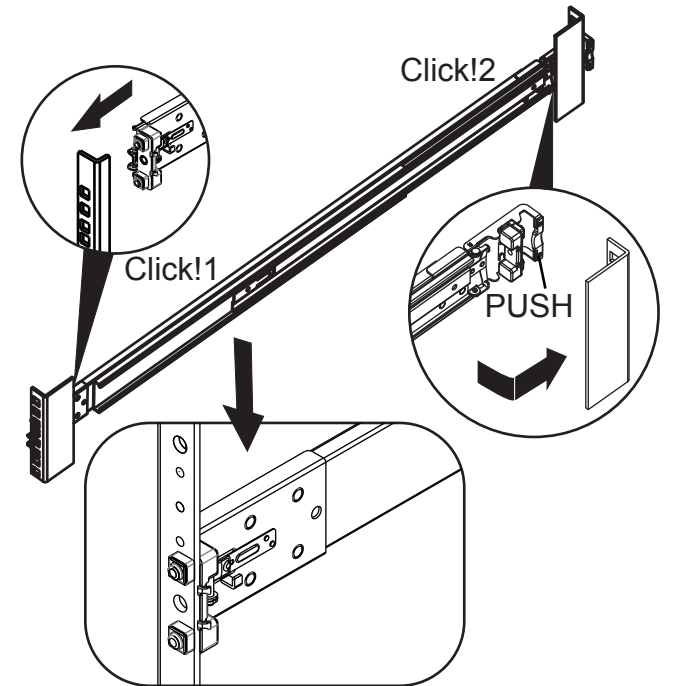
1. Release and detach the inner member from the slide.



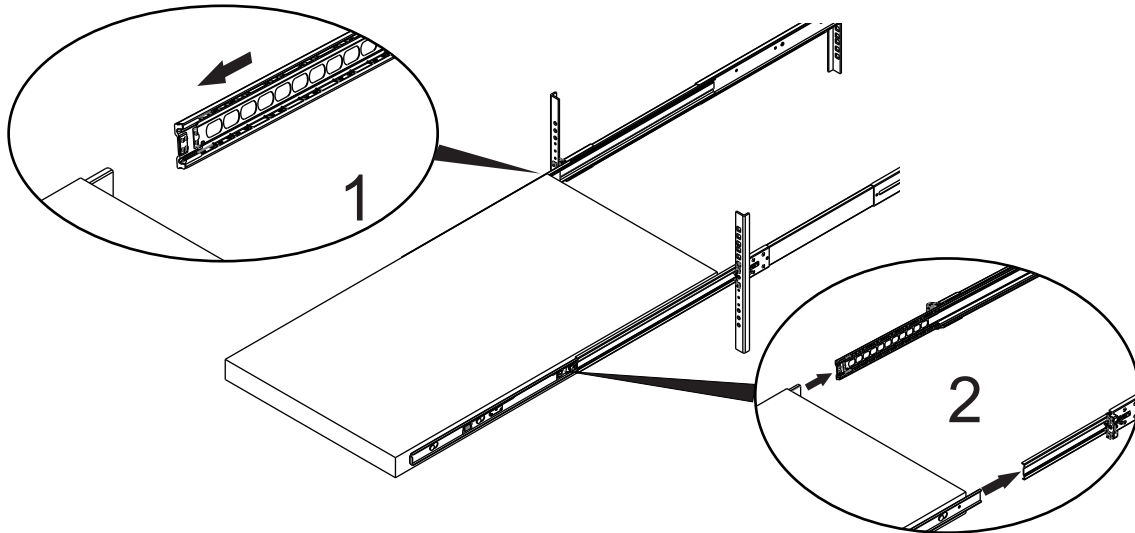
2. Attach inner member to the system.



3. Attach outer member to the rack.



4. (1) CAUTION! Verify ball bearing retainer is locked forward.
(2) Pull out the intermediate member until locked out.



5. Slide release tab and push system into rack.

