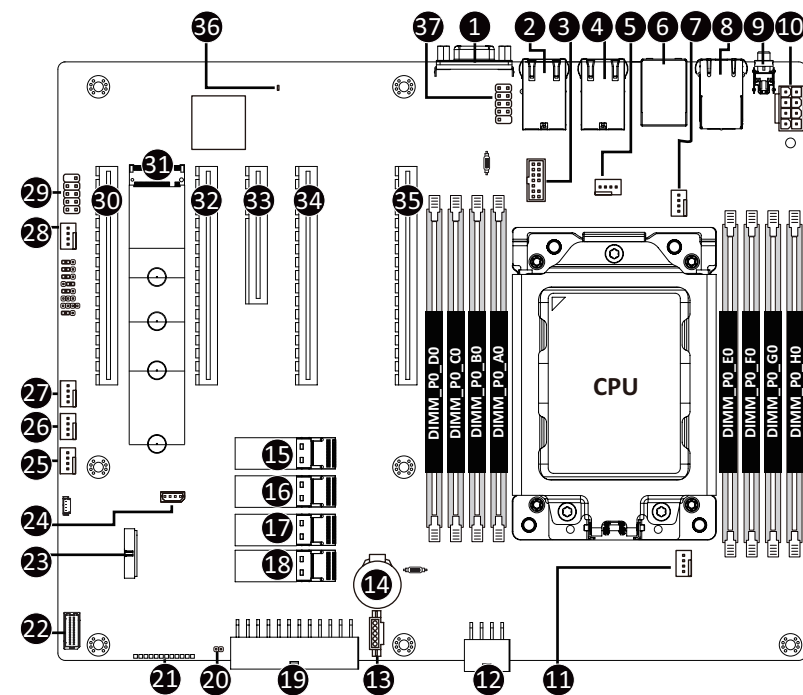


# MZ01-CE0/MZ01-CE1 Quick Reference Guide/ 快速测试参考指南

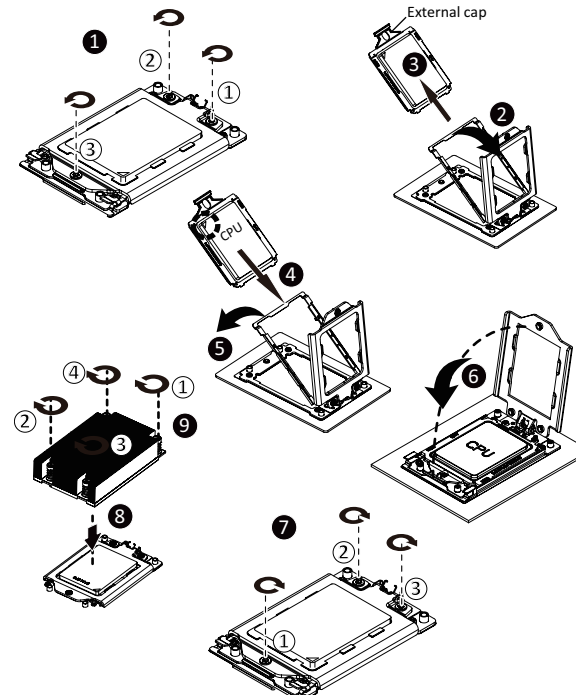
## Motherboard Components



No.	Code	Description
6	USB_MLAN	Server Management LAN Port (top)
7	SYS_FAN1	System Fan Connector #1
8	LAN1_2	GbE LAN Port #1 (top)/Port #2 (bottom)
9	SW_PWR	Power Button(top)/ID Button (Bottom)
10	P12V_AUX1	2 x 4 Pin Power Connector (for CPU)
11	CPU0_FAN	CPU Fan Connector
12	P12V_AUX2	2 x 4 Pin Power Connector (for Memory)
13	PMBUS	PMBus Connector
14	BAT1	System Battery
15	SL_CN1	SlimLine 4i Connector #1 (SATA Signal)
16	SL_CN2	SlimLine 4i Connector #2 (SATA Signal)
17	SL_CN3	SlimLine 4i Connector #3 (SATA Signal)
18	SL_CN4	SlimLine 4i Connector #4 (SATA Signal)
19	ATX1	2 x 13 Pin System Power Connector
20	CASE_OPEN	Case Open Intrusion Header
21	FP_1	Front Panel Header
22	BP_1	HDD Back Plane Board Connector
23	F_USB3	Front Panel USB 3.0 Connector
24	IPMB	IPMB Connector
25	SYS_FAN5	System Fan Connector #5
26	SYS_FAN4	System Fan Connector #4
27	SYS_FAN3	System Fan Connector #3
28	SYS_FAN6	System Fan Connector #6
29	COM2	Serial Port Cable Connector #2
30	PCIE_1	PCIe x 16 Slot #1
31	M2_0	M.2 Connector (PCIe Gen3 x4, NGFF-2280, M-Key)
32	PCIE_3	PCIe x 16 Slot #3
33	PCIE_4	PCIe x 8 Slot #4
34	PCIE_5	PCIe x 16 Slot #5
35	PCIE_7	PCIe x 16 Slot #7
36	LED_BMC	BMC Firmware Readiness LED
37	COM1	Serial Port Cable Connector #1

No.	Code	Description
1	VGA	VGA Port
2	10GLAN1	10G LAN Port #1 (MZ01-CE0 Only)
3	LPC_TPM	TPM Module Connector
4	10GLAN2	10G LAN Port #2 (MZ01-CE0 Only)
5	SYS_FAN2	System Fan Connector #2

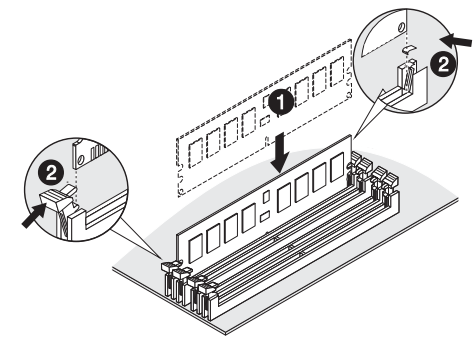
## Installing CPU/ 安装 CPU



**NOTE!**

- When installing the heatsink to CPU, use T20-Lobe driver to tighten 4 captive nuts in sequence as 1-4.
- The screw tightening torque: 16.1 ± 1.2 kgf-cm (14.0 ± 1.0 lbf-in)

## Memory Population Configuration/ 安装内存



RDIMM Maximum Frequency Supported Table

Slots	DIMMs Populated	DIMM			Frequency (MT/s)
		1R	2R 2DR	4DR	
1	1	1	--	--	2667
		--	1	--	2667
		--	--	1	Not Supported
2	1	1	--	--	2667
		--	1	--	2400
		--	--	1	Not Supported
	2	2	--	--	2133
		1	1	--	2133
		--	2	--	2133
2	2	--	--	2	Not Supported
		1	--	1	Not Supported
		--	1	1	Not Supported

## ATX Power/ 电源

No.	Pin Define	No.	Pin Define
1	3.3V	13	3.3V
2	3.3V	14	-12V
3	GND	15	GND
4	+5V	16	PS_ON
5	GND	17	GND
6	+5V	18	GND
7	GND	19	GND
8	Power Good	20	-5V
9	5VSB	21	+5V
10	+12V	22	+5V
11	+12V	23	+5V
12	3.3V	24	GND

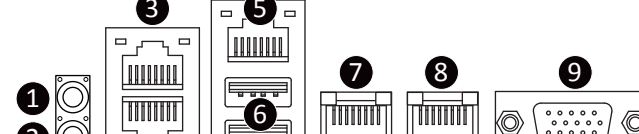
## CPU/System FAN/ 风扇

No.	Pin Define
1	GND
2	+12V
3	Sense
4	Speed Control

## PMBUS

No.	Pin Define
1	PMBus Clock
2	PMBus Data
3	PMBus Alert
4	GND
5	3.3V Sense

## Rear I/O Connector/ 后面板接口



No.	Description	No.	Description
1	Power Button	7	10G LAN port #2 (MZ01-CE0 Only)
2	ID Button	8	10G LAN port #1 (MZ01-CE0 Only)
3	GbE LAN port #3	9	VGA Port
4	GbE LAN port #4		
5	Server Management LAN Port		
6	USB 3.0 Port x 2		

## Front Panel Header / 前面板

No.	Pin Define	No.	Pin Define
1	Power LED+	2	5V Standby
3	No Pin	4	ID LED+
5	Power LED-	6	ID LED-
7	HDD LED+	8	System Status LED+
9	HDD LED-	10	System Status LED-
11	Power Button	12	LAN1 Active LED+
13	GND	14	LAN1 Link LED-
15	Reset Button	16	SMBus Data
17	GND	18	SMBus Clock
19	No Connect	20	Case Open
21	GND	22	LAN2 Active LED+
23	NMI Switch	24	LAN2 Link LED-

## HDD Back Plane Board Header/ 硬盘背板排针

No.	Pin Define	No.	Pin Define
1	Reserved	16	BP_RST_N
2	BP_SGDIN	17	SMB_U2_TMP_SCL
3	GND	18	GND
4	BP_SGDOUT	19	SMB_U2_TMP_SDA
5	BP_SGLD	20	I2C_DEV_RST
6	GND	21	RSVD
7	BP_SGCLK	22	GND
8	PLD_Program_EN	23	Reserved
9	GLED_AMB_N	24	GND
10	GLED_GRN_N	25	Reserved
11	FAN_IRQ_N	26	GND
12	Reserved	27	Reserved
13	BP_SCL	28	GND
14	GND	29	P_3V3_AUX
15	BP_SDA	30	P_3V3_AUX

## LAN LED

State	Description
Yellow On	1Gbps data rate
Green On	100Mbps data rate
Off	10Mbps data rate

## USB 3.0 Header

No.	Pin Define	No.	Pin Define
1	Power (5V)	11	IntA_P2_D+
2	IntA_P1_SSRX-	12	IntA_P2_D-
3	IntA_P1_SSRX+	13	GND
4	GND	14	IntA_P2_SSTX+
5	IntA_P1_SSTX-	15	IntA_P2_SSTX-
6	IntA_P1_SSTX+	16	GND
7	GND	17	IntA_P2_SSRX+
8	IntA_P1_D-	18	IntA_P2_SSRX-
9	IntA_P1_D+	19	Power (5V)
10	NC	20	No Pin

## Serial Port Cable Connector

No.	Pin Define	No.	Pin Define
1	NDCD-	6	NDSR-
2	NSIN	7	NRTS-
3	NSOUT	8	NCTS-
4	NDTR-	9	NRI-
5	GND	10	No Pin

## Case Open Intrusion Header

Open: Normal operation.  
Closed: Active chassis intrusion alert.

## BMC Firmware Readiness LED

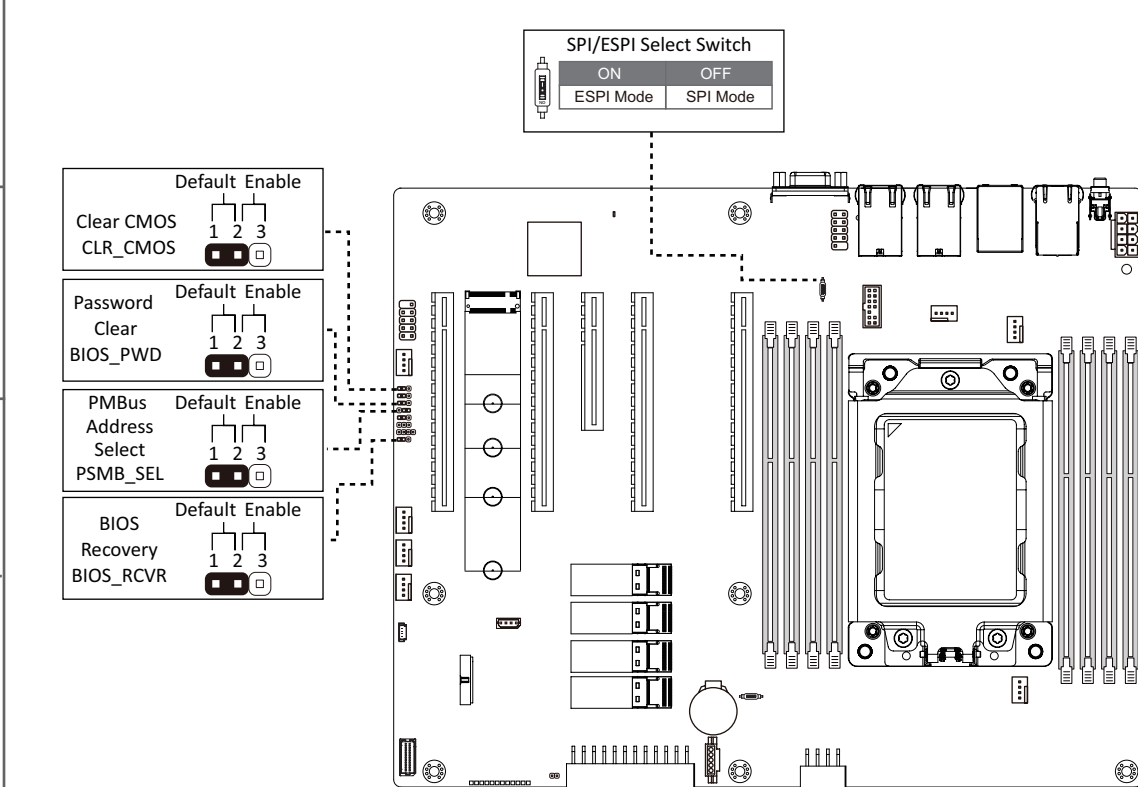
State	Description
On	BMC firmware is initial
Blink	BMC firmware is ready
Off	AC loss

## TPM Module

## TPM Connector/ 可信平台模块

No.	Pin Define	No.	Pin Define
1	Clock	8	No Connect
2	P_3V3_AUX	9	LPC_LAD2
3	LPC_RST	10	No Pin
4	P3V3	11	LPC_LAD3
5	LPC_LAD0	12	GND
6	IRQ_SERIAL	13	LPC_FRAME_N
7	LPC_LAD1	14	GND

## Jumper Settings/ 跳线设置



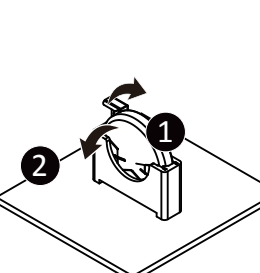
3DS RDIMM Maximum Frequency Supported Table

Slots	DIMMs Populated	DIMM			Frequency (MT/s)
		NA	2S2R 2S4R	4DR	
1	1	1	--	--	Not Supported
		--	1	--	2667
		--	--	1	Not Supported
2	1	1	--	--	Not Supported
		--	1	--	2400
		--	--	1	Not Supported
	2	2	--	--	Not Supported
		1	1	--	Not Supported
		--	2	--	1866
2	2	--	--	2	Not Supported
		1	--	1	Not Supported

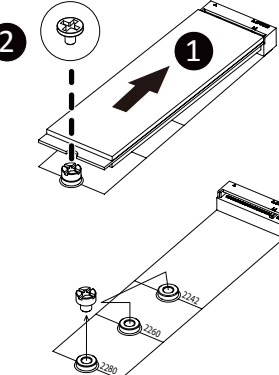
**NOTE!**

- 1R: 1 package rank of SDP DRAMs
- 2R: 2 package rank of SDP DRAMs
- 2DR: 2 package rank of DDP DRAMs
- 4DR: 2 package rank of DDP DRAMs
- 1S2R/1S4R/1S8R: 1 package rank of 2/4/8 high 3DS DRAMs
- 2S2R/2S4R/2S8R: 2 package rank of 2/4/8 high 3DS DRAMs
- DIMM must be populated in sequential alphabetic order, starting with bank A.
- When only one DIMM is used, it must be populated in memory slot A1.

## System Battery



## M.2 Module



## WEEE Symbol Statement



The symbol shown below is on the product or on its packaging, which indicates that this product must not be disposed of with other waste. Instead, the device should be taken to the waste collection centers for activation of the treatment, collection, recycling and disposal procedure. The separate collection and recycling of your waste equipment at the time of disposal will help to conserve natural resources and ensure that it is recycled in a manner that protects human health and the environment. For more information about where you can drop off your waste equipment for recycling, please contact your local government office, your household waste disposal service or where you purchased the product for details of environmentally safe recycling.

- When your electrical or electronic equipment is no longer useful to you, "take it back" to your local or regional waste collection administration for recycling.
- If you need further assistance in recycling, reusing in your "end of life" product, you may contact us at the Customer Care number listed in your product's user's manual and we will be glad to help you with your effort.

## Restriction of Hazardous Substances (RoHS) Directive Statement

GIGABYTE products have not intended to add and safe from hazardous substances (Cd, Pb, Hg, Cr+6, PBDE and PBB). The parts and components have been carefully selected to meet RoHS requirement. Moreover, we at GIGABYTE are continuing our efforts to develop products that do not use internationally banned toxic chemicals.

## 限制使用有害物质 (RoHS) 指令声明

GIGABYTE产品未故意添加和使用有害物质（Cd、Pb、Hg、Cr+6、PBDE和PBB）。所有部件和元件均经过严格挑选，符合RoHS要求。此外，我们GIGABYTE一直致力于开发不使用国际上禁止的有毒化学品的产品。

## California Proposition 65 Warning



### WARNING:

This product can expose you to chemicals including Lead, which is known to the State of California to cause cancer, and Bisphenol A (BPA), which is known to the State of California to cause birth defects or other reproductive harm. For more information go to [www.P65Warnings.ca.gov](http://www.P65Warnings.ca.gov).



### Battery Warning:

Incorrectly installing a battery or using incompatible battery may increase the risk of ifre explosion. Replace the battery only with the same or equivalent type.

- Do not disassemble, crush, puncture batteries.
- Do not store or place your battery pack next to or in a heat source such as a fire, heatgenerating appliance, can or exhaust vent. Heating battery cells to temperatures above 65oC (149oF) can cause explosion or fire.
- Do not attempt to open or service batteries. Do not dispose of batteries in a fire or with household waste.



### 电池警告：

电池安装不当或使用不兼容的电池会增加火灾爆炸风险。更换电池时，只可使用相同或同等类型的电池。

- 请勿拆解、挤压、刺破电池。
- 请勿将电池存放或放置在热源中或旁边，如火源、产生热的设备、罐体或排气口。电池温度升至65oC (149oF)以上可能导致爆炸或火灾。
- 请勿尝试打开或维修电池。电池废弃时，请勿投入火中或者作为家庭废弃物进行处理。

## 中华人民共和国电子信息产品中有毒有害物质或元素的名称及含量标识格式

依照中华人民共和国的有毒有害物质的限制要求(China RoHS)提供以下的表格：



关于符合中国《电子信息产品污染控制管理办法》的声明  
Management Methods on Control of Pollution from Electronic Information Products  
(China RoHS Declaration)

产品中有毒有害物质或元素的名称及含量 Hazardous Substances Table						
部件名称(Parts)	有毒有害物质或元素(Hazardous Substances)					
	铅(Pb)	汞(Hg)	镉(Cd)	六价铬 (Cr(VI))	多溴联苯 (PBB)	多溴二苯醚 (PBDE)
PCB板 PCB	○	○	○	○	○	○
结构件及风扇 Mechanical parts and Fan	×	○	○	○	○	○
芯片及其他主动零件 Chip and other Active components	×	○	○	○	○	○
连接器 Connectors	×	○	○	○	○	○
被动电子元件 Passive Components	×	○	○	○	○	○
线材 Cables	○	○	○	○	○	○
焊接金属 Soldering metal	○	○	○	○	○	○
助焊剂、散热膏、标签及其他耗材 Flux,Solder Paste,Label and other Consumable Materials	○	○	○	○	○	○
○:表示该有毒有害物质在该部件所有均质材料中的含量均在SJ/T11363-2006标准规定的限量要求以下。 Indicates that this hazardous substance contained in all homogenous materials of this part is below the limit requirement SJ/T 11363-2006						
×:表示该有毒有害物质至少在该部件的某一均质材料中的含量超出SJ/T11363-2006标准规定的限量要求。 Indicates that this hazardous substance contained in at least one of the homogenous materials of this part is above the limit requirement in SJ/T 11363-2006						
对销售之日的所发售产品，本表显示我公司供应链的电子信息产品可能包含这些物质。注意：在所售产品中可能会也可能不会含有所有列出的部件。 This table shows where these substances may be found in the supply chain of our electronic information products, as of the date of the sale of the enclosed products, Note that some of the component types listed above may or may not be a part of the enclosed product.						