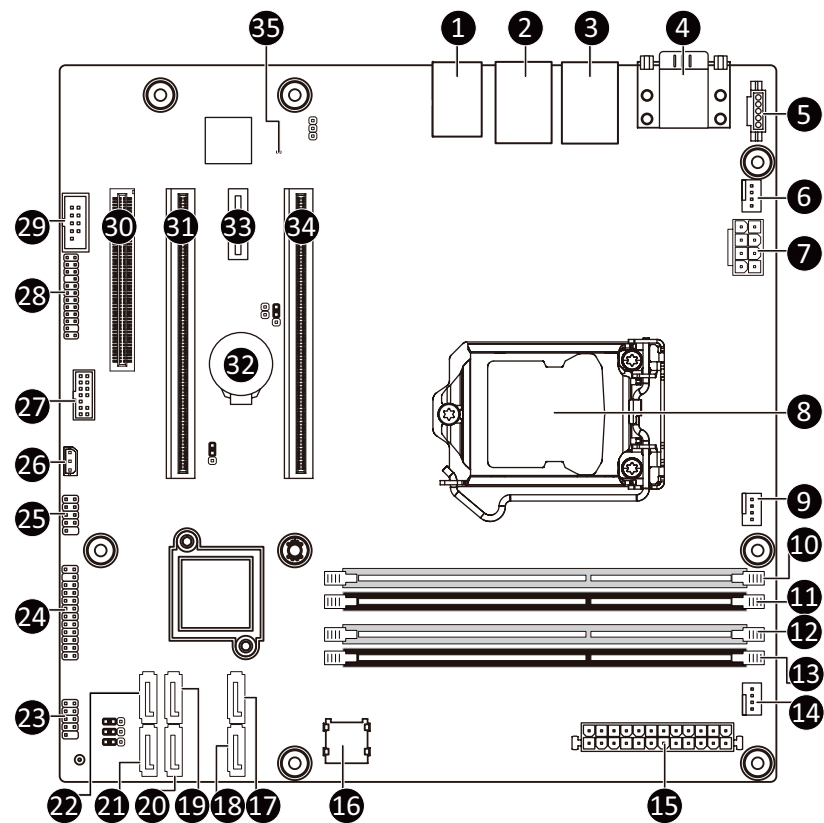


# MX31-CE0 Quick Reference Guide/ 快速测试参考指南



No.	Code	Description
1	MLAN	Server management LAN port
2	USB2_LAN1	LAN port #1 (top) / USB 3.0 ports (bottom)
3	USB2_LAN2	LAN port #2 (top) / USB 3.0 ports (bottom)
4	COM1_VGA	Serial port (top) / VGA port (bottom)
5	PMBUS	PMBus connector
6	SYS_FAN1	System fan connector#1
7	P12V_AUX	8 pin power connector (for CPU)
8	CPU0	Intel LGA1151 Socket H4
9	CPU_FAN	CPU fan connector
10	DIMM_P0_A0	Channel 1 slot 0
11	DIMM_P0_A1	Channel 1 slot 1
12	DIMM_P0_B0	Channel 2 slot 0
13	DIMM_P0_B1	Channel 2 slot 1
14	SYS_FAN2	System fan connector#2
15	ATX1	24 pin main power connector
16	SD_CN	SD card connector
17	SATA_4	SATA 3 6Gb/s connector
18	SATA_5	SATA 3 6Gb/s connector
19	SATA_2	SATA 3 6Gb/s connector
20	SATA_3	SATA 3 6Gb/s connector
21	SATA_1	SATA 3 6Gb/s connector
22	SATA_0	SATA 3 6Gb/s connector
23	FP_2	Secondary front panel header
24	FP_1	Front panel header
25	F_USB2	USB 2.0 header
26	IPMB	IPMB connector
27	TPM	TPM connector
28	BP_1	HDD back plane board header
29	COM2	Serial port cable connector
30	PCIE_1	PCI Express x8 slot (running at x4)
31	PCIE_2	PCI Express x16 slot (running at x8)

No.	Code	Description
32	BAT	Battery socket
33	PCIE_3	PCI Express x1 slot
34	PCIE_4	PCI Express x16 slot (running at x8)
35	LED_BMC1	BMC firmware readiness LED

## ATX Power/ 电源

No.	Pin Define	No.	Pin Define
1	3.3V	13	3.3V
2	3.3V	14	-12V
3	GND	15	GND
4	+5V	16	PS_ON
5	GND	17	GND
6	+5V	18	GND
7	GND	19	GND
8	Power Good	20	-5V
9	5VSB	21	+5V
10	+12V	22	+5V
11	+12V	23	+5V
12	3.3V	24	GND

## CPU/System FAN/ 风扇

No.	Pin Define
1	GND
2	+12V
3	Sense
4	Speed Control

## IPMB

No.	Pin Define
1	Clock
2	GND
3	Data

## HDD Back Plane Board Header/ 硬盘背板排针

No.	Pin Define	No.	Pin Define
1	BP_SGP_CLK	2	No Connect
3	BP_SGP_LOAD	4	No Connect
5	BP_SGP_DOUT	6	GND
7	Key Pin	8	Reset
9	GND	10	BP_LED_A_N
11	BP_LED_G_N	12	GND
13	BP_SGP_DIN	14	No Connect
15	GND	16	SMB_BP_DATA
17	GND	18	SMB_BP_CLK
19	P_3V3_AUX	20	BMC_ACK
21	P_3V3_AUX	22	BMC_REQ
23	GND	24	Key Pin
25	BP_PRESENSE	26	GND

## Front Panel Header #1/ 前面板 (Server)

No.	Pin Define	No.	Pin Define
1	Power LED+	2	5V Standby
3	No Pin	4	ID LED+
5	Power LED-	6	ID LED-
7	HDD LED+	8	System Status LED+
9	HDD LED-	10	System Status LED-
11	Power Button	12	LAN1 Active LED+
13	GND	14	LAN1 Link LED-
15	Reset Button	16	SMBus Data
17	GND	18	SMBus Clock
19	ID Button	20	Case Open
21	GND	22	LAN2 Active LED+
23	NMI Switch	24	LAN2 Link LED-

## Front Panel Header #2/ 前面板 (PC)

No.	Pin Define	No.	Pin Define
1	HDD LED+	6	Power Button+
2	Power LED+	7	Reset Button
3	Power LED-	8	Power Button-
4	HDD LED-	9	No Connect
5	GND	10	No Pin

## SATA Connector/SATA 接口

No.	Pin Define
1	GND
2	TXP
3	TXN
4	GND
5	RXN
6	RXP
7	GND

## COM2 Connector

No.	Pin Define	No.	Pin Define
1	NDCD-	6	NDSR-
2	NSIN	7	NRTS-
3	NSOUT	8	NCTS-
4	NDTR-	9	NRI-
5	GND	10	No Pin

## PMBUS

No.	Pin Define
1	PMBus Clock
2	PMBus Data
3	PMBus Alert
4	GND
5	3.3V Sense

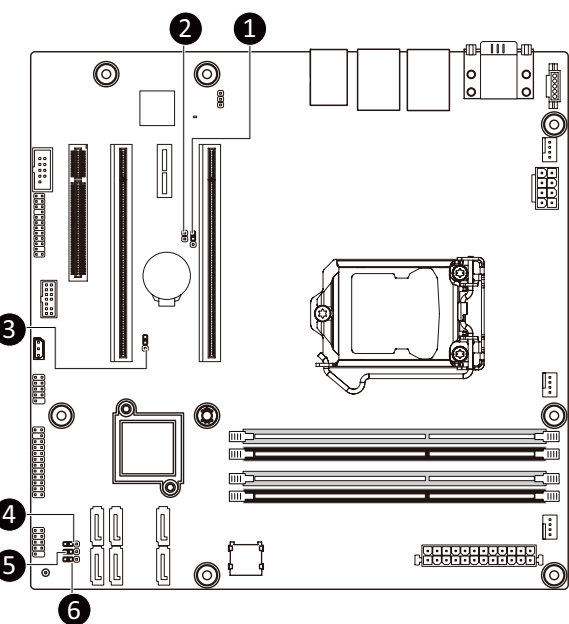
## USB 2.0 Header

No.	Pin Define	No.	Pin Define
1	Power (5V)	6	USB DY+
2	Power (5V)	7	GND
3	USB DX-	8	GND
4	USB DY-	9	No Pin
5	USB DX+	10	No Connect

## TPM Connector/ 可信平台模块

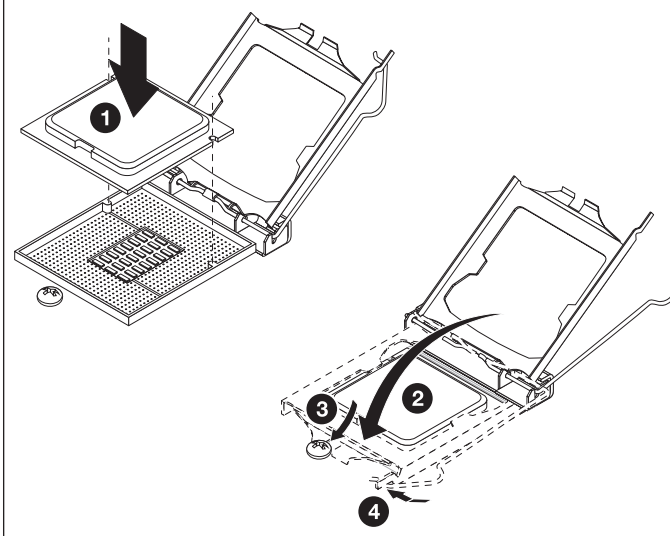
No.	Pin Define	No.	Pin Define
1	Clock	8	No Connect
2	P_3V3_AUX	9	LPC_LAD2
3	LPC_RST	10	No Pin
4	P3V3	11	LPC_LAD3
5	LPC_LAD0	12	GND
6	IRQ_SERIAL	13	LPC_FRAME_N
7	LPC_LAD1	14	GND

## Jumper Settings/ 跳线设置

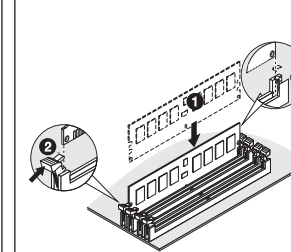


No.	Description
1	ME Update Jumper 1-2 Close: Normal operation (Default setting) 2-3 Close: ME update mode.
2	Clear CMOS Jumper Open: Normal operation (Default setting) Closed: Clear CMOS data.
3	S3 Power On Select Jumper 1-2 Close: Stop an initial power on when BMC is not ready. 2-3 Close: Keep initial power on. (Default setting)
4	Clearing Supervisor Password Jumper 1-2 Close: Normal operation. (Default setting) 2-3 Close: Skip supervisor password.
5	ME Recovery Jumper 1-2 Close: Normal operation. (Default setting) 2-3 Close: ME recovery mode.
6	BIOS Recovery Jumper 1-2 Close: Normal operation. (Default setting) 2-3 Close: BIOS recovery mode.

## Installing CPU/ 安装 CPU



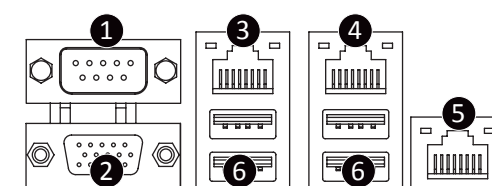
## Memory Population Configuration/ 安装内存



Type	Ranks Per DIMM and Data Width	Supported Voltage	Speed (MT/s); Slot Per Channel (SPC) and DIMM Per Channel (DPC)	
			1DPC	2DPC
UDIMM Unbuffered DDR4 ECC	SR	1.2V	2133	2133
UDIMM Unbuffered DDR4 non-ECC	DR	1.2V	2133	2133

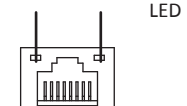
- All channels in system run at the fastest common frequency.
- Mixing ECC and non-ECC UDIMMs anywhere on the platform is not supported.
- 1 and 2 DPC is supported at 2133MHz.
- 所有通道模式以最快的频率速度运行。
- 此主板不支持ECC与非ECC内存模组混合使用。
- 1与2 DPC均支持2133MHz速度。

## Rear I/O Connector/ 后面板接口



No.	Description	No.	Description
1	Serial port	4	GbE Ethernet LAN port (Shared LAN port)
2	VGA port	5	KVM Server Management 10/100/1000 LAN port
3	GbE Ethernet LAN port	6	USB 3.0 ports

## Speed LED Link/Activity LED



## 10/100/1000 LAN LED:

State	Description
Yellow On	1Gbps data rate
Green On	100Mbps data rate
Off	10Mbps data rate