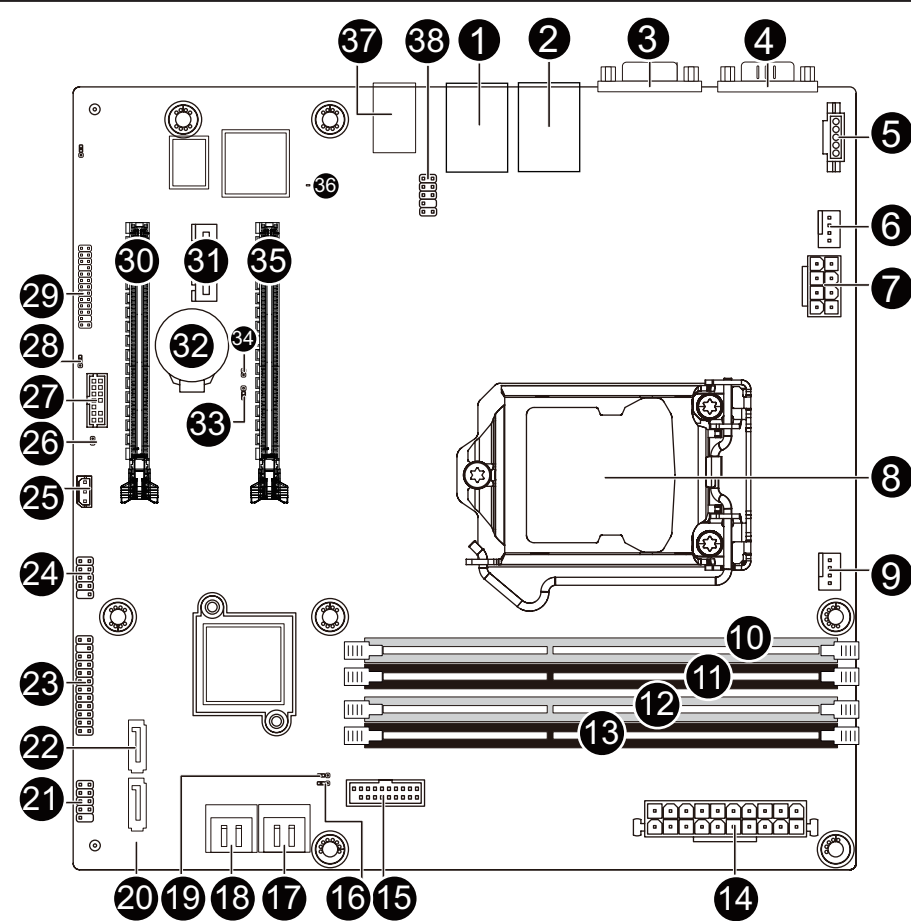


MW21-SE0/MW21-SE1 Quick Reference Guide/ 快速测试参考指南



No.	Code	Description
1	USB_LAN1	LAN port #1 (top) / USB 3.0 ports (bottom) (MW21-SE1)
2	USB_LAN2	USB 3.0 ports (bottom) (MW21-SE0)
3	USB_LAN2	LAN port #2 (top) / USB 3.0 ports (bottom)
4	VGA_1	VGA port
5	COM1	Serial port
6	PMBUS	PMBus connector (MW21-SE1 Only)
7	SYS_FAN1	System fan connector#1
8	P12V_AUX	8 pin power connector
9	CPU0	Intel LGA1151 Socket H4
10	CPU0_FAN	CPU fan connector
11	DIMM_PO_A0	Channel 1 slot 0
12	DIMM_PO_A1	Channel 1 slot 1
13	DIMM_PO_B0	Channel 2 slot 0
14	DIMM_PO_B1	Channel 2 slot 1
15	ATX1	24 pin main power connector
16	F_USB3	USB 3.0 header
17	ME_RCVR	ME recovery jumper
18	SATA_2_3	SATA 3 Gb/s connectors
19	SATA_0_1	SATA 3 Gb/s connectors
20	BIOS_PWD	Clearing Supervisor Password jumper

No.	Code	Description
21	SATA_5	SATA 3 Gb/s connector
22	FP_2	Front panel header (For PC System)
23	SATA_4	SATA 3 Gb/s connector
24	FP_1	Front panel header (For Server System/MW21-SE1 Only)
25	F_USB2	USB 2.0 header
26	IPMB	IPMB connector (MW21-SE1 Only)
27	CASE_OPEN	Case open intrusion alert header
28	TPM	TPM module connector
29	S3_MASK	S3 Power On Select jumper (MW21-SE1 Only)
30	BP_1	HDD back plane board header (For Server System/MW21-SE1 Only)
31	PCI_E_3	PCI Express x16 slot
32	PCI_E_2	PCI Express x4 slot
33	BAT	Battery socket
34	ME_UPDATE	ME update jumper
35	CLR_CMOS	Clear CMOS jumper
36	PCI_E_1	PCI Express x16 slot
37	LED_BMC	BMC firmware readiness LED (MW21-SE1 Only)
38	HD_AUDIO	Audio connectors (MW21-SE1 Only)
	F_AUDIO	Front audio connector (MW21-SE1 Only)

ATX Power/ 电源

No.	Pin Define	No.	Pin Define
1	3.3V	13	3.3V
2	3.3V	14	-12V
3	GND	15	GND
4	+5V	16	PS_ON
5	GND	17	GND
6	+5V	18	GND
7	GND	19	GND
8	Power Good	20	-5V
9	5VSB	21	+5V
10	+12V	22	+5V
11	+12V	23	+5V
12	3.3V	24	GND

PMBUS

For MW21-SE1 Only

No.	Pin Define
1	PMBus Clock
2	PMBus Data
3	PMBus Alert
4	GND
5	3.3V Sense

CPU/System FAN/ 风扇

No.	Pin Define
1	GND
2	+12V
3	Sense
4	Speed Control

IPMB

For MW21-SE1 Only

No.	Pin Define
1	Clock
2	GND
3	Data

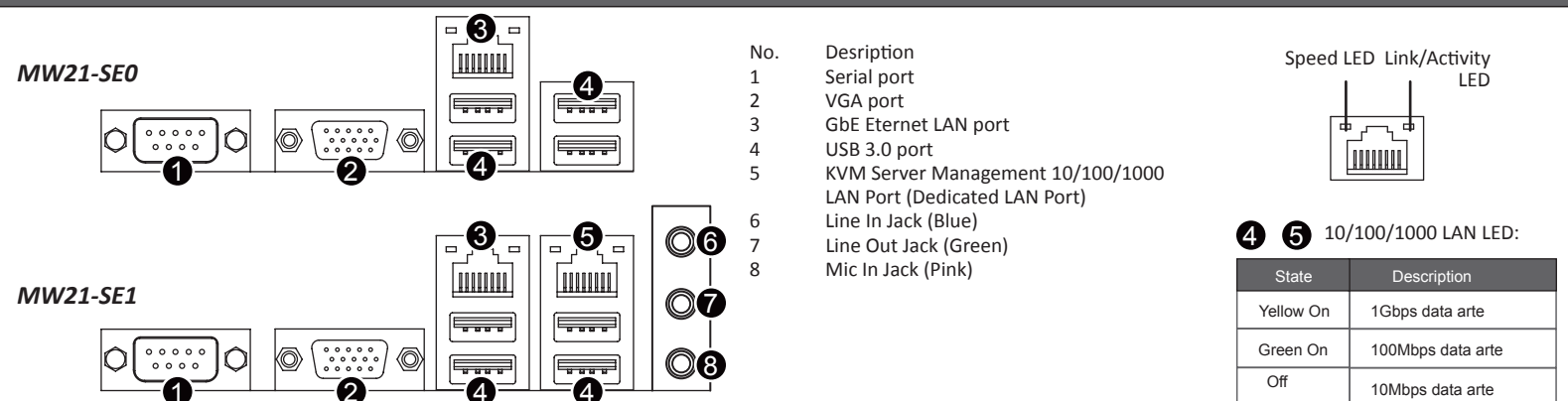
Case Open Intrusion Header

Open: Normal operation.
Closed: Active chassis intrusion alert.

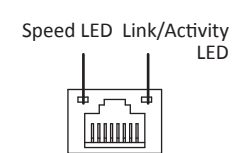
Front Panel Header/ 前面板

For Server System (MW21-SE1)				For PC System (MW21-SE0)			
No.	Pin Define	No.	Pin Define	No.	Pin Define	No.	Pin Define
1	Power LED+	2	5V Standby	1	HDD LED+	1	HDD LED+
3	No Pin	4	ID LED+	2	ID LED+	2	Power LED+
5	Power LED-	6	ID LED-	3	HDD LED-	3	HDD LED-
7	HDD LED+	8	System Front Board LED+	4	Power LED-	4	Power LED-
9	HDD LED-	10	System Status LED-	5	GND	5	GND
11	Power Button	12	LAN1 Active LED+	6	Power Button+	6	Power Button+
13	GND	14	LAN1 Link LED-	7	Reset Button	7	Reset Button
15	Reset Button+	16	SMBus Data	8	Power Button-	8	Power Button-
17	GND	18	SMBus Clock	9	No Connect	9	No Connect
19	ID Switch+	20	Case Open	10	No Pin	10	No Pin
21	ID Switch-	22	LAN2 Active LED				
23	NMI Switch-	24	LAN2 Link LED-				

Rear I/O Connector/ 后面板接口

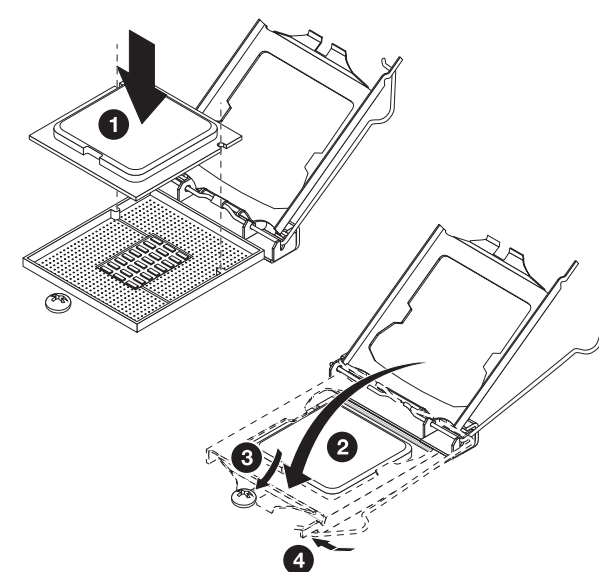


No.	Description
1	Serial port
2	VGA port
3	GbE Ethernet LAN port
4	USB 3.0 port
5	KVM Server Management 10/100/1000 LAN Port (Dedicated LAN Port)
6	Line In Jack (Blue)
7	Line Out Jack (Green)
8	Mic In Jack (Pink)

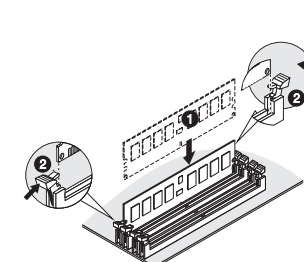


State	Description
Yellow On	1Gbps data arte
Green On	100Mbps data arte
Off	10Mbps data arte

Installing CPU/ 安装 CPU



Memory Population Configuration/ 安装内存



Type	Ranks Per DIMM and Data Width	Supported Voltage	Speed (MT/s): Slot Per Channel (SPC) and DIMM Per Channel (DPC)	
			1DPC	2DPC
UDIMM Unbuffered DDR4 ECC	SR, DR	1.2V	2133	2133
UDIMM Unbuffered DDR4 non-ECC	DR	1.2V	2133	2133

- All channels in system run at the fastest common frequency.
- Mixing ECC and non-ECC UDIMMs anywhere on the platform is not supported.
- 1 and 2 DPC is supported at 2133MHz.
- 所有通道模式以最快的频率速度运行。
- 此主板不支持ECC与非ECC内存混合使用。
- 1与2 DPC 均支持2133MHz速度。

HDD Back Plane Board Header/ 硬盘背板排针

For MW21-SE1 Only

No.	Pin Define	No.	Pin Define
1	BP_SGP_CLK	2	No Connect
3	BP_SGP_GLD	4	FAN_SGP_GLD
5	BP_SGP_DOUT	6	GND
7	Key Pin	8	Reset
9	GND	10	BP_LED_A_N
11	BP_LED_G_N	12	GND
13	BP_SGP_DIN	14	No Connect
15	GND	16	SMB_BP_DATA
17	GND	18	SMB_BP_CLK
19	P_3V3_AUX	20	BMC_ACK
21	P_3V3_AUX	22	BMC_REQ
23	GND	24	Key Pin
25	BP_PRESENSE	26	GND

SATA Connector/SATA 接口

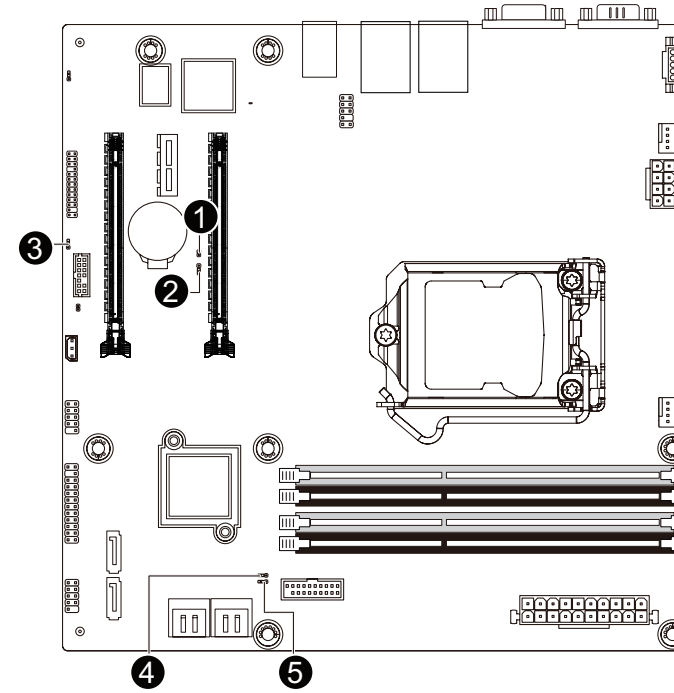
No.	Pin Define
1	GND
2	TXP
3	TXN
4	GND
5	RXN
6	RXP
7	GND

Front Audio Connector/ 前置音频

For MW21-SE1 Only

No.	Pin Define
1	MIC2_L
2	GND
3	MC2_R
4	P3V3
5	LINE2_R
6	MIC2_JD
7	F_Audio_Sense
8	No Pin
9	LINE2_L
10	LINE2_JD

Jumper Settings/ 跳线设置



No.	Description
1	Clear CMOS Jumper Open: Normal operation (Default setting) Close: Clear CMOS data.
2	ME Update Jumper 1-2 Close: Normal operation (Default setting) 2-3 Close: ME update.
3	S3 Power On Select Jumper (MW21-SE1 Only) 1-2 Close: Stop an initial power on when BMC is not ready. 2-3 Close: Keep initial power on. (Default setting)
4	Clearing Supervisor Password Jumper 1-2 Close: Normal operation. (Default setting) 2-3 Close: Skip supervisor password.
5	ME Recovery Jumper 1-2 Close: Normal operation. (Default setting) 2-3 Close: ME recovery mode.



Regulatory Notices

WEEE Symbol Statement



The symbol shown below is on the product or on its packaging, which indicates that this product must not be disposed of with other waste. Instead, the device should be taken to the waste collection centers for activation of the treatment, collection, recycling and disposal procedure. The separate collection and recycling of your waste equipment at the time of disposal will help to conserve natural resources and ensure that it is recycled in a manner that protects human health and the environment. For more information about where you can drop off your waste equipment for recycling, please contact your local government office, your household waste disposal service or where you purchased the product for details of environmentally safe recycling.

- When your electrical or electronic equipment is no longer useful to you, "take it back" to your local or regional waste collection administration for recycling.
- If you need further assistance in recycling, reusing in your "end of life" product, you may contact us at the Customer Care number listed in your product's user's manual and we will be glad to help you with your effort.

Restriction of Hazardous Substances (RoHS) Directive Statement

GIGABYTE products have not intended to add and safe from hazardous substances (Cd, Pb, Hg, Cr+6, PBDE and PBB). The parts and components have been carefully selected to meet RoHS requirement. Moreover, we at GIGABYTE are continuing our efforts to develop products that do not use internationally banned toxic chemicals.

限制使用有害物质 (RoHS) 指令声明

GIGABYTE产品未故意添加和使用有害物质 (Cd、Pb、Hg、Cr+6、PBDE和PBB)。所有部件和元件均经过严格挑选，符合RoHS要求。此外，我们GIGABYTE一直致力于开发不使用国际上禁止的有毒化学品的产品。

California Proposition 65 Warning

WARNING:

This product contains a chemicals, including lead, known to the State of California to cause cancer and birth defects or other reproductive harm. For more information, please visit: <http://www.p65warnings.ca.gov/>



Battery Warning:

Incorrectly installing a battery or using incompatible battery may increase the risk of ifre explosion. Replace the battery only with the same or equivalent type.

- Do not disassemble, crush, puncture batteries.
- Do not store or place your battery pack next to or in a heat source such as a fire, heatgenerating appliance, can or exhaust vent. Heating battery cells to temperatures above 65oC (149oF) can cause explosion or fire.
- Do not attempt to open or service batteries. Do not dispose of batteries in a fire or with household waste.



电池警告：

电池安装不当或使用不兼容的电池会增加火灾爆炸风险。更换电池时，只可使用相同或同等类型的电池。

- 请勿拆解、挤压、刺破电池。
- 请勿将电池存放或放置在热源中或旁边，如火源、产生热的设备、罐体或排气口。电池温度升至65oC (149oF)以上可能导致爆炸或火灾。
- 请勿尝试打开或维修电池。电池废弃时，请勿投入火中或者作为家庭废弃物进行处理。

中华人民共和国电子信息产品中有毒有害物质或元素的名称及含量标识格式

依照中华人民共和国的有毒有害物质的限制要求(China RoHS)提供以下的表格：



关于符合中国《电子信息产品污染控制管理办法》的声明
Management Methods on Control of Pollution from Electronic Information Products
(China RoHS Declaration)

产品中有毒有害物质或元素的名称及含量
Hazardous Substances Table

部件名称 (Parts)	有毒有害物质或元素 (Hazardous Substances)				
	铅 (Pb)	汞 (Hg)	镉 (Cd)	六价铬 (Cr (VI))	多溴联苯 (PBB) 多溴二苯醚 (PBDE)
PCB板 PCB	○	○	○	○	○
结构件及风扇 Mechanical parts and Fan	×	○	○	○	○
芯片及其他主动零件 Chip and other Active components	×	○	○	○	○
连接器 Connectors	×	○	○	○	○
被动电子元器件 Passive Components	×	○	○	○	○
线材 Cables	○	○	○	○	○
焊接金属 Soldering metal	○	○	○	○	○
助焊剂、散热膏、标签及其他耗材 Flux, Solder Paste, Label and other Consumable Materials	○	○	○	○	○

○ 表示该有毒有害物质在该部件所有均质材料中的含量均在SJ/T11363-2006标准规定的限量要求以下。
Indicates that this hazardous substance contained in all homogenous materials of this part is below the limit requirement SJ/T 11363-2006

× 表示该有毒有害物质至少在该部件的某一均质材料中的含量超出SJ/T11363-2006标准规定的限量要求。
Indicates that this hazardous substance contained in at least one of the homogenous materials of this part is above the limit requirement in SJ/T 11363-2006

对销售之日的所零售产品，本表显示我公司供应链的电子产品信息可能包含这些物质。注意：在所售产品中可能会也可能不会含有所有列出的部件。
This table shows where these substances may be found in the supply chain of our electronic information products, as of the date of the sale of the enclosed products. Note that some of the component types listed above may or may not be a part of the enclosed product.