

GIGABYTE™

R283-ZF0-IAL1

Rack Server - AMD EPYC™ 9004

2U DP 4 x PCIe Gen5 GPUs Immersion

User Manual

Rev. 1.0

Copyright

© 2024 GIGA-BYTE TECHNOLOGY CO., LTD. All rights reserved.

The trademarks mentioned in this manual are legally registered to their respective owners.

Disclaimer

Information in this manual is protected by copyright laws and is the property of GIGABYTE. Changes to the specifications and features in this manual may be made by GIGABYTE without prior notice. No part of this manual may be reproduced, copied, translated, transmitted, or published in any form or by any means without GIGABYTE's prior written permission.

Documentation Classifications

In order to assist in the use of this product, GIGABYTE provides the following types of documentation:

- User Manual: detailed information & steps about the installation, configuration and use of this product (e.g. motherboard, server barebones), covering hardware and BIOS.
- User Guide: detailed information about the installation & use of an add-on hardware or software component (e.g. BMC firmware, rail-kit) compatible with this product.
- Quick Installation Guide: a short guide with visual diagrams that you can reference easily for installation purposes of this product (e.g. motherboard, server barebones).

Please see the support section of the online product page to check the current availability of these documents.

For More Information

For related product specifications, the latest firmware and software, and other information please visit our website at <http://www.gigabyte.com>

For GIGABYTE distributors and resellers, additional sales & marketing materials are available from our reseller portal: <http://reseller.b2b.gigabyte.com>

For further technical assistance, please contact your GIGABYTE representative or visit <https://esupport.gigabyte.com/> to create a new support ticket

For any general sales or marketing enquiries, you may also message GIGABYTE server directly by email: server.grp@gigabyte.com

Conventions

The following conventions are used in this user's guide:

| | |
|---|---|
|  | NOTE! Pieces of additional information related to the current topic. |
|  | CAUTION! Precautionary measures to avoid possible hardware or software problems. |
|  | WARNING! Alerts to any damage that might result from doing or not doing specific actions. |

Server Warnings and Cautions

Before installing a server, be sure that you understand the following warnings and cautions.



WARNING!

To reduce the risk of electric shock or damage to the equipment:

- Do not disable the power cord grounding plug. The grounding plug is an important safety feature.
- Plug the power cord into a grounded (earthed) electrical outlet that is easily accessible at all times.
- Unplug the power cord from the power supply to disconnect power to the equipment.
- Do not route the power cord where it can be walked on or pinched by items placed against it. Pay particular attention to the plug, electrical outlet, and the point where the cord extends from the server.



WARNING!

To reduce the risk of personal injury from hot surfaces, allow the drives and the internal system components to cool before touching them.



WARNING!

This server is equipped with high speed fans. Keep away from hazardous moving fan blades during servicing.



CAUTION!

- Do not operate the server for long periods with the access panel open or removed. Operating the server in this manner results in improper airflow and improper cooling that can lead to thermal damage.
- Danger of explosion if battery is incorrectly replaced.
- Replace battery with the same or equivalent type recommended by the manufacturer.
- Dispose of used batteries according to the manufacturer's instructions.



CAUTION!

Risk of explosion if battery is replaced incorrectly or with an incorrect type. Replace the battery only with the same or equivalent type recommended by the manufacturer. Dispose of used batteries according to the manufacturer's instructions.



Electrostatic Discharge (ESD)

CAUTION!

ESD CAN DAMAGE DRIVES, BOARDS, AND OTHER PARTS. WE RECOMMEND THAT YOU PERFORM ALL PROCEDURES AT AN ESD WORKSTATION. IF ONE IS NOT AVAILABLE, PROVIDE SOME ESD PROTECTION BY WEARING AN ANTI-STATIC WRIST STRAP ATTACHED TO CHASSIS GROUND -- ANY UNPAINTED METAL SURFACE -- ON YOUR SERVER WHEN HANDLING PARTS.

Always handle boards carefully, they can be extremely sensitive to ESD. Hold boards only by their edges without touching any components or connectors. After removing a board from its protective ESD bag or from the system, place the board component side up on a grounded, static free surface. Use a conductive foam pad if available but not the ESD bag. Do not slide the board over any surface.

System power on/off: To service components within the server, please ensure the power has been disconnected.

e.g. Remove the node from the server chassis (to disconnect power) or disconnect the power from the server chassis.

Make sure the system is removed from the rack before opening the chassis, adding, or removing any non hot-plug components.

Hazardous conditions, devices and cables: Hazardous electrical conditions may be present on power, telephone, and communication cables. Turn off the system chassis and disconnect the cables attached to the system before servicing the chassis. Otherwise, personal injury or equipment damage can result.

Electrostatic discharge (ESD) and ESD protection: ESD can damage drives, boards, and other parts. We recommend that you perform all procedures in this chapter only at an ESD workstation. If one is not available, provide some ESD protection by wearing an antistatic wrist strap attached to chassis ground (any unpainted metal surface on the server) when handling parts.

ESD and handling boards: Always handle boards carefully. They can be extremely sensitive to electrostatic discharge (ESD). Hold boards only by their edges. After removing a board from its protective wrapper or from the system, place the board component side up on a grounded, static free surface. Use a conductive foam pad if available but not the board wrapper. Do not slide board over any surface.

Installing or removing jumpers: A jumper is a small plastic encased conductor that slips over two jumper pins. Some jumpers have a small tab on top that can be gripped with fingertips or with a pair of fine needle nosed pliers. If the jumpers do not have such a tab, take care when using needle nosed pliers to remove or install a jumper; grip the narrow sides of the jumper with the pliers, never the wide sides. Gripping the wide sides can damage the contacts inside the jumper, causing intermittent problems with the function controlled by that jumper. Take care to grip with, but not squeeze, the pliers or other tool used to remove a jumper, or the pins on the board may bend or break.

Table of Contents

| | |
|--|----|
| Chapter 1 Hardware Installation | 11 |
| 1-1 Installation Precautions | 11 |
| 1-2 Product Specifications | 12 |
| 1-3 System Block Diagram | 15 |
| Chapter 2 System Appearance | 16 |
| 2-1 Front View | 16 |
| 2-2 Rear View | 17 |
| 2-3 Rear System LAN LEDs | 18 |
| 2-4 Power Supply Unit LED | 19 |
| 2-5 Hard Disk Drive LEDs | 20 |
| Chapter 3 System Hardware Installation | 21 |
| 3-1 Removing and Installing the Chassis Cover | 22 |
| 3-2 Removing and Installing the Hard Disk Drive | 23 |
| 3-3 Removing and Installing the Fan Duct | 25 |
| 3-4 Removing and Installing the Heat Sink | 26 |
| 3-5 Removing and Installing the CPU and Heatsink | 27 |
| 3-6 Removing and Installing Memory | 29 |
| 3-6-1 Twelves Channel Memory Configuration | 29 |
| 3-6-2 Removing and Installing a Memory Module | 30 |
| 3-6-3 Processor and Memory Module Matrix Table | 30 |
| 3-6-4 Memory Population Table | 31 |
| 3-7 Removing and Installing the PCIe Card | 32 |
| 3-8 Installing the Mezzanine Card | 34 |
| 3-8-1 Installing the OCP 3.0 Mezzanine Card | 34 |
| 3-9 Installing the M.2 Device and Heat Sink | 35 |
| 3-9-1 M.2 device with Heatsink | 35 |
| 3-10 Removing and Installing the Power Supply | 36 |
| 3-11 Cable Routing | 37 |
| Chapter 4 Motherboard Components | 44 |
| 4-1 Motherboard Components | 44 |
| 4-2 Jumper Settings | 46 |
| 4-3 Backplane Board Storage Connector | 47 |
| 4-3-1 CBP20C7 | 47 |

Chapter 5 BIOS Setup48

- 5-1 The Main Menu 50
- 5-2 Advanced Menu 53
 - 5-2-1 Trusted Computing54
 - 5-2-2 PSP Firmware Versions.....55
 - 5-2-3 Legacy Video Select.....56
 - 5-2-4 AST2600 Super IO Configuration57
 - 5-2-5 S5 RTC Wake Settings.....59
 - 5-2-6 Serial Port Console Redirection60
 - 5-2-7 CPU Configuration.....64
 - 5-2-8 PCI Subsystem Settings.....65
 - 5-2-9 USB Configuration.....67
 - 5-2-10 Network Stack Configuration69
 - 5-2-11 Post Report Configuration70
 - 5-2-12 NVMe Configuration71
 - 5-2-13 SATA Configuration.....72
 - 5-2-14 Graphic Output Configuration.....73
 - 5-2-15 AMD Mem Configuration Status74
 - 5-2-16 Tls Auth Configuration75
 - 5-2-17 RAM Disk Configuration76
 - 5-2-18 iSCSI Configuration77
- 5-3 AMD CBS Menu 78
 - 5-3-1 CPU Common Options79
 - 5-3-2 DF Common Options.....85
 - 5-3-3 UMC Common Options92
 - 5-3-4 NBIO Common Options.....113
 - 5-3-5 FCH Common Options124
 - 5-3-6 SOC Miscellaneous Control133
 - 5-3-7 CXL Common Options.....135
- 5-4 AMD PBS Menu 136
 - 5-4-1 RAS137
 - 5-4-2 CXL Range Encryption139
- 5-5 Chipset Setup Menu..... 140
 - 5-5-1 North Bridge141
 - 5-5-2 Fabric Resource142
- 5-6 Server Management Menu..... 144
 - 5-6-1 System Event Log146
 - 5-6-2 View FRU Information147
 - 5-6-3 BMC Network Configuration.....148
 - 5-6-4 IPv6 BMC Network Configuration149
- 5-7 Security Menu 150

| | | |
|--------|---|-----|
| 5-7-1 | Secure Boot | 151 |
| 5-8 | Boot Menu..... | 153 |
| 5-9 | Save & Exit Menu..... | 155 |
| 5-10 | BIOS Recovery | 156 |
| 5-11 | BIOS POST Beep code (AMI standard)..... | 157 |
| 5-11-1 | PEI Beep Codes..... | 157 |
| 5-11-2 | DXE Beep Codes | 157 |

This page intentionally left blank

Chapter 1 Hardware Installation

1-1 Installation Precautions

The motherboard/system contain numerous delicate electronic circuits and components which can become damaged as a result of electrostatic discharge (ESD). Prior to installation, carefully read the service guide and follow these procedures:

- Prior to installation, do not remove or break motherboard S/N (Serial Number) sticker or warranty sticker provided by your dealer. These stickers are required for warranty validation.
- Always remove the AC power by unplugging the power cord from the power outlet before installing or removing the motherboard or other hardware components.
- When connecting hardware components to the internal connectors on the motherboard, make sure they are connected tightly and securely.
- When handling the motherboard, avoid touching any metal leads or connectors.
- It is best to wear an electrostatic discharge (ESD) wrist strap when handling electronic components such as a motherboard, CPU or memory. If you do not have an ESD wrist strap, keep your hands dry and first touch a metal object to eliminate static electricity.
- Prior to installing the motherboard, please have it on top of an antistatic pad or within an electrostatic shielding container.
- Before unplugging the power supply cable from the motherboard, make sure the power supply has been turned off.
- Before turning on the power, make sure the power supply voltage has been set according to the local voltage standard.
- Before using the product, please verify that all cables and power connectors of your hardware components are connected.
- To prevent damage to the motherboard, do not allow screws to come in contact with the motherboard circuit or its components.
- Make sure there are no leftover screws or metal components placed on the motherboard or within the computer casing.
- Do not place the computer system on an uneven surface.
- Do not place the computer system in a high-temperature environment.
- Turning on the computer power during the installation process can lead to damage to system components as well as physical harm to the user.
- If you are uncertain about any installation steps or have a problem related to the use of the product, please consult a certified computer technician.

1-2 Product Specifications



NOTE:

We reserve the right to make any changes to the product specifications and product-related information without prior notice.

| | | |
|--|------------------|---|
| | System Dimension | <ul style="list-style-type: none"> ◆ 2U ◆ 438 (W) x 43.5 (H) x 815(D) mm |
| | CPU | <ul style="list-style-type: none"> ◆ AMD EPYC™ 9004 Series processors ◆ AMD EPYC™ 9004 Series processors with AMD 3D V-Cache™ Technology ◆ Dual processor, 5nm technology ◆ Up to 128 cores, 256 threads per processor ◆ cTDP up to 400W <p>NOTE: If only 1 CPU is installed, some PCIe or memory functions might be unavailable</p> |
| | Socket | <ul style="list-style-type: none"> ◆ 2 x LGA 6096 ◆ Socket SP5 |
| | Chipset | <ul style="list-style-type: none"> ◆ System on Chip |
| | Security | <ul style="list-style-type: none"> ◆ UEFI Secure Boot ◆ Silicon root of trust ◆ SNMP Support: V3 |
| | Memory | <ul style="list-style-type: none"> ◆ 24 x DIMM slots ◆ DDR5 memory supported only ◆ 12-Channel memory architecture ◆ RDIMM modules up to 96GB supported ◆ 3DS RDIMM modules up to 256GB supported ◆ Memory speed: Up to 4800 MHz |
| | LAN | <p>Top side:</p> <ul style="list-style-type: none"> ◆ 1 x 10/100/1000 Mbps Management LAN |
| | Video | <ul style="list-style-type: none"> ◆ Integrated in Aspeed® AST2600 ◆ 2D Video Graphic Adapter with PCIe bus interface ◆ 1920x1200@60Hz 32bpp, DDR4 SDRAM |
| | Storage | <p>Bottom side:</p> <ul style="list-style-type: none"> ◆ 8 x 3.5"/2.5" Gen5 NVMe/SATA/SAS4 hot-swappable bays ◆ 4 x 3.5"/2.5" SATA/SAS4 hot-swappable bays(4 x NVMe from CPU_0, 4 x NVMe from CPU_1) ◆ (6 x SATA via CRS2810 from CPU_0, 6 x SATA via CRS2810 from CPU_1) <p>SAS card is required for SAS devices support</p> |
| | SAS | <ul style="list-style-type: none"> ◆ Depends on SAS add-in card |



Expansion Slot

PCIe cable x 5

- ◆ 2 x PCIe x16 (Gen5 x16) FHFL slots, from CPU_0, for GPUs
- ◆ 2 x PCIe x16 (Gen5 x16) FHFL slots, from CPU_1, for GPUs
- ◆ 1 x PCIe x16 (Gen5 x16) FHHL slot, from CPU_1

1 x OCP 3.0 slot, from CPU_0

Supports NCSI function

1 x M.2 slot:

- ◆ M-key
- ◆ PCIe Gen3 x4, from CPU_0
- ◆ Supports 2280/22110 cards
- ◆ **Occupied by CRS2810 - 6 x SATA ports**

1 x M.2 slot:

- ◆ M-key
- ◆ PCIe Gen3 x4, from CPU_1
- ◆ Supports 2280 cards
- ◆ **Occupied by CRS2810 - 6 x SATA ports**



Internal I/O

- ◆ 1 x TPM header



Top I/O

- ◆ 2 x USB 3.2 Gen1
- ◆ 1 x Mini-DP
- ◆ 1 x MLAN
- ◆ 1 x ID LED



Backplane I/O

- ◆ Speed and bandwidth:
- ◆ PCIe Gen5 x4 or SATA 6Gb/s or SAS4 24Gb/s



TPM

- ◆ 1 x TPM header with SPI interface
- ◆ Optional TPM2.0 kit: CTM010



Power Supply

- ◆ Dual 2700W (240V) 80 PLUS Titanium redundant power supply

AC Input:

- ◆ 100-127V~/ 12A, 50-60Hz
- ◆ 200-240V~/ 16A, 50-60Hz

DC Input: (Only for China)

- ◆ 240Vdc/ 16A

DC Output:

- ◆ Max 1008W/ 100-127V~
- ◆ + 12V/ 84A
- ◆ + 12Vsb/ 3A
- ◆ Max 2700W/ 200-240V~ or 240Vdc Input
- ◆ + 12V/ 225A
- ◆ + 12Vsb/ 3A

NOTE:

- ◆ The system power supply requires C19 power cord.



System Management

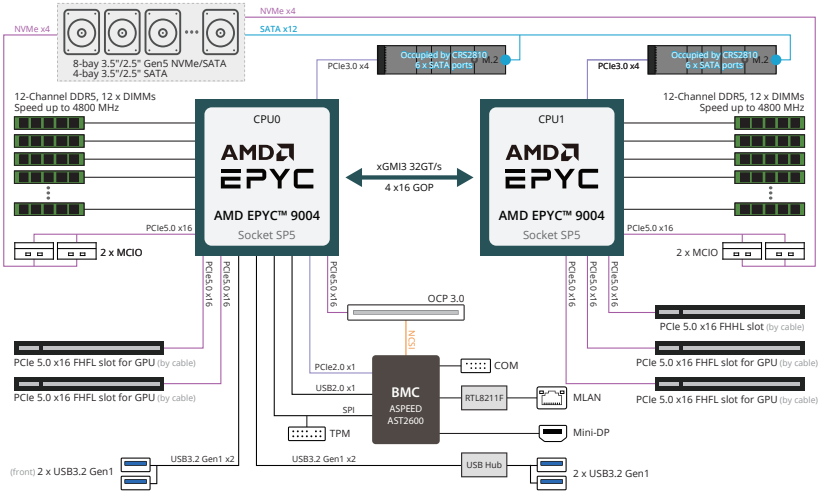
- ◆ Aspeed® AST2600 management controller
- ◆ GIGABYTE Management Console (AMI MegaRAC SP-X) web interface
- ◆ Dashboard
- ◆ HTML5 KVM
- ◆ Sensor Monitor (Voltage, RPM, Temperature, CPU Status ...etc.)
- ◆ Sensor Reading History Data
- ◆ FRU Information
- ◆ SEL Log in Linear Storage / Circular Storage Policy
- ◆ Hardware Inventory
- ◆ Fan Profile
- ◆ System Firewall
- ◆ Power Consumption
- ◆ Power Control
- ◆ Advanced power capping
- ◆ LDAP / AD / RADIUS Support
- ◆ Backup & Restore Configuration
- ◆ Remote BIOS/BMC/CPLD Update
- ◆ Event Log Filter
- ◆ User Management
- ◆ Media Redirection Settings
- ◆ PAM Order Settings
- ◆ SSL Settings
- ◆ SMTP Settings



Operating Properties

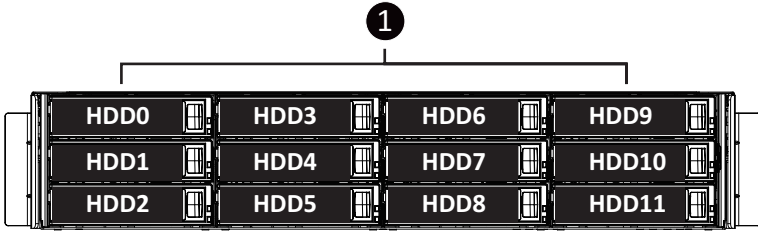
- ◆ Non-operating temperature: -40°C to 60°C
- ◆ Non-operating humidity: 20%-95% (non-condensing)

1-3 System Block Diagram



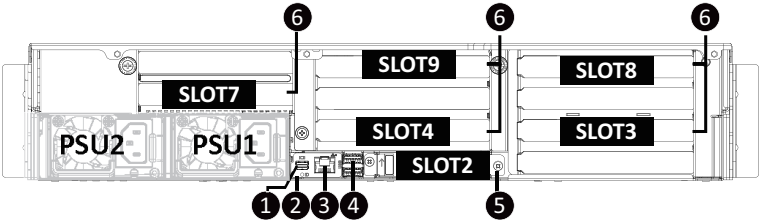
Chapter 2 System Appearance

2-1 Front View



| No. | Description |
|--|------------------|
| 1. | 3.5" Hard Drives |
| Note! Drives with green latches support NVMe. | |

2-2 Rear View

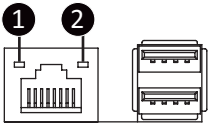


| No. | Description | No. | Description |
|-----|----------------------------|-----|---------------------------|
| 1. | Mini DP Port | 4. | USB 3.2 Gen1 Port x 2 |
| 2. | ID LED | 5. | OCP 3.0 Slot (Option/SFF) |
| 3. | Server Management LAN Port | 6. | PCIe Card Slot |



- Refer to section 2-3 Rear System LAN LEDs for a detailed description of the function of the LEDs.

2-3 Rear System LAN LEDs



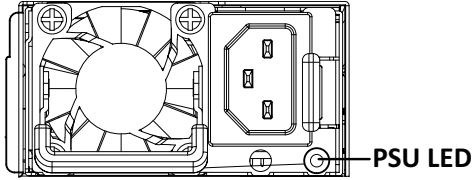
| No. | Name | Color | Status | Description |
|-----|--------------------------|--------|--------|---|
| 1. | 1GbE Speed LED | Yellow | On | 1 Gbps data rate |
| | | Green | On | 100 Mbps data rate |
| | | N/A | Off | 10 Mbps data rate |
| 2. | 1GbE Link / Activity LED | Green | On | Link between system and network or no access |
| | | | Blink | Data transmission or reception is occurring. |
| | | N/A | Off | No data transmission or reception is occurring. |

2-4 Power Supply Unit LED



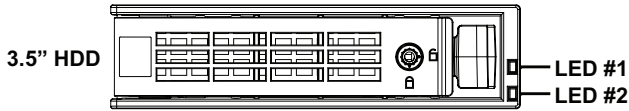
NOTE!

The power supply may be vary based on the system configuration.



| State | Description |
|--------------------|---|
| OFF | No AC power to all power supplies |
| 1Hz Green Blinking | AC present / only standby on / Cold redundant mode |
| 2Hz Green Blinking | Power supply firmware updateing mode |
| Amber | AC cord unplugged or AC power lost; with a second power supply in parallel still with AC input power |
| | Power supply critical event causing shut down: failure, OCP, OVP, fan failure and UVP |
| 1Hz Amber Blinking | Power supply warning events where the power supply continues to operate: high temp, high power, high current and slow fan |

2-5 Hard Disk Drive LEDs



| RAID SKU | | LED #1 | Locate | HDD Fault | Rebuilding | HDD Access | HDD Present (No Access) |
|---|--------------------------------------|--------|--------|-----------|-------------------|------------|-------------------------|
| No RAID configuration (via HBA) | Disk LED (LED on Back Panel) | Green | ON(*1) | OFF | | BLINK (*2) | OFF |
| | | Amber | OFF | OFF | | OFF | OFF |
| | Removed HDD Slot (LED on Back Panel) | Green | ON(*1) | OFF | | -- | -- |
| | | Amber | OFF | OFF | | -- | -- |
| RAID configuration (via HW RAID Card or SW RAID Card) | Disk LED | Green | ON | OFF | | BLINK (*2) | OFF |
| | | Amber | OFF | ON | (Low Speed: 2 Hz) | OFF | OFF |
| | Removed HDD Slot | Green | ON(*1) | OFF | (*3) | -- | -- |
| | | Amber | OFF | ON | (*3) | -- | -- |

| LED #2 | HDD Present | No HDD |
|--------|-------------|--------|
| Green | ON | OFF |

NOTE:

*1: Depends on HBA/Utility Spec.

*2: Blink cycle depends on HDD's activity signal.

*3: If HDD is pulled out during rebuilding, the disk status of this HDD is regarded as faulty.

Chapter 3 System Hardware Installation



Pre-installation Instructions

Computer components and electronic circuit boards can be damaged by discharges of static electricity. Working on computers that are still connected to a power supply can be extremely dangerous. Follow the simple guidelines below to avoid damage to your computer or injury to yourself.

- Always disconnect the computer from the power outlet whenever you are working inside the computer case.
- If possible, wear a grounded wrist strap when you are working inside the computer case. Alternatively, discharge any static electricity by touching the bare metal system of the computer case, or the bare metal body of any other grounded appliance.
- Hold electronic circuit boards by the edges only. Do not touch the components on the board unless it is necessary to do so. Do not flex or stress the circuit board.
- Leave all components inside the static-proof packaging until you are ready to use the component for the installation.

3-1 Removing and Installing the Chassis Cover

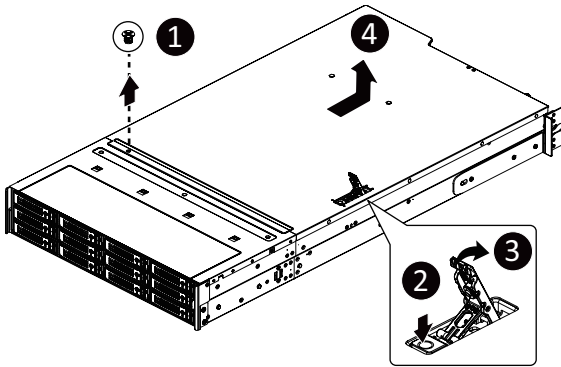


Before you remove or install the system cover

- Make sure the system is not turned on or connected to AC power.

Follow these instructions to remove the chassis cover:

1. Remove the screw securing the chassis cover.
2. Unlock the plastic handle and pull the grip handle to open the panel cover.
3. Slide the cover cover to the rear of the system and then remove the cover in the direction indicated by the arrow.
4. To reinstall the chassis cover follow steps 1-4 in reverse order.



3-2 Removing and Installing the Hard Disk Drive

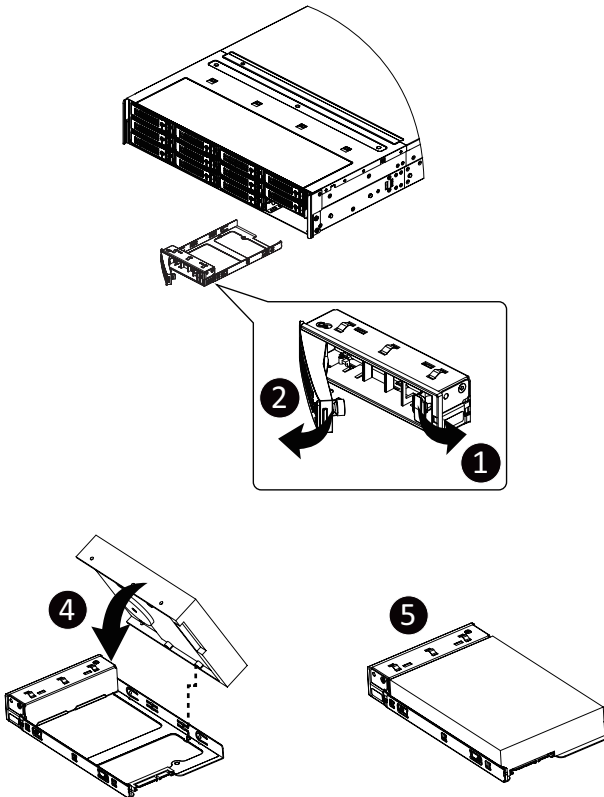


Read the following guidelines before you begin to install the hard disk drive:

- Take note of the HDD tray orientation before sliding it out.
- The tray will not fit back into the bay if it is inserted incorrectly.
- Make sure that the hard disk drive is connected to the connector on the backplane.

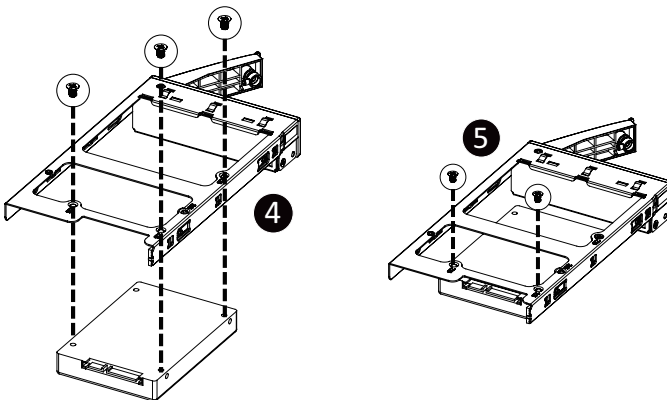
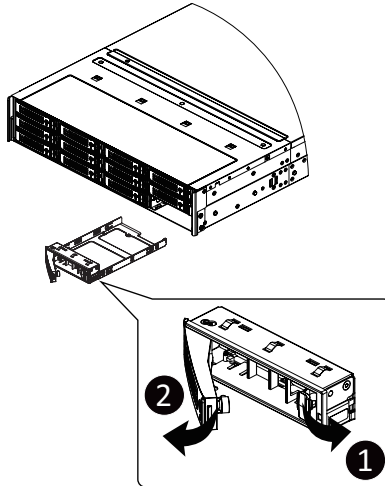
Follow these instructions to install a 3.5" hard disk drive:

1. Press the release button.
2. Extend the locking lever.
3. Pull the locking lever in the direction indicated to remove the 3.5" HDD tray.
4. Pull the sides of the HDD tray in the direction indicated.
5. Slide the hard disk drive into the HDD tray.
6. Push the sides of the HDD tray back in the direction indicated to secure the hard disk drive in place.
7. Reinsert the HDD tray into the slot and close the locking lever.



Follow these instructions to install a 2.5" hard disk drive into 3.5" HDD Tray:

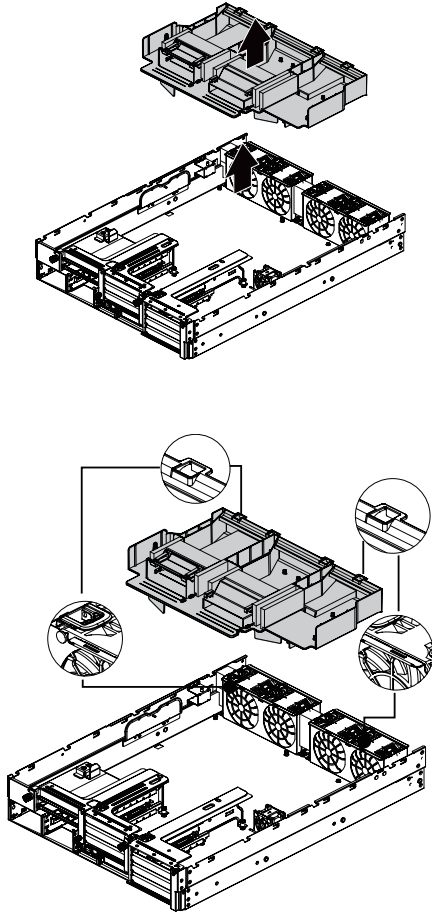
1. Press the release button.
2. Extend the locking lever.
3. Pull the locking lever in the direction indicated to remove the HDD tray.
4. Align the hard disk drive with the positioning screw on the HDD tray.
5. Secure the hard disk drive with five screws.
6. Reinsert the HDD tray into the slot and close the locking lever



3-3 Removing and Installing the Fan Duct

Follow these instructions to remove the fan duct:

1. Lift up to remove the fan duct.
2. To reinstall the fan duct, align the fan duct with the guiding groove. Push down the fan duct until it is firmly seated on the system.



3-4 Removing and Installing the Heat Sink



Read the following guidelines before you begin to install the heat sink:

- Always turn off the computer and unplug the power cord from the power outlet before installing the heat sink to prevent hardware damage.
- Unplug all cables from the power outlets.
- Disconnect all telecommunication cables from their ports.
- Place the system unit on a flat and stable surface.
- Open the system according to the instructions.

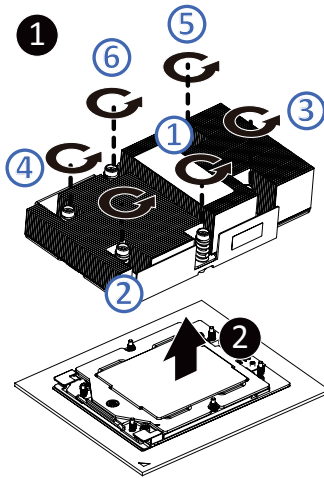


WARNING!

Failure to turn off the server before you start installing components may cause serious damage. Do not attempt the procedures described in the following sections unless you are a qualified service technician.

Follow these instructions to install the heat sink:

1. Loosen the screws securing the heat sink in place in reverse order (6→5→4→3→2→1).
2. Lift and remove the heat sink from the system.
3. To install the heat sink, reverse steps 1-2 while ensuring that you tighten the captive screws in sequential order (1→2→3→4→5→6) as seen in the image below.



3-5 Removing and Installing the CPU and Heatsink



Read the following guidelines before you begin to install the CPU:

- Make sure that the motherboard supports the CPU.
- Always turn off the computer and unplug the power cord from the power outlet before installing the CPU to prevent hardware damage.
- Unplug all cables from the power outlets.
- Disconnect all telecommunication cables from their ports.
- Place the system unit on a flat and stable surface.
- Open the system according to the instructions.



WARNING!

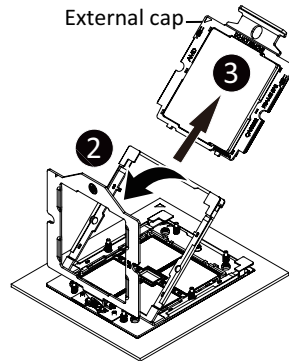
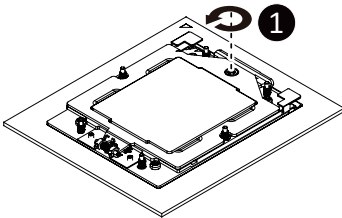
Failure to properly turn off the server before you start installing components may cause serious damage. Do not attempt the procedures described in the following sections unless you are a qualified service technician.

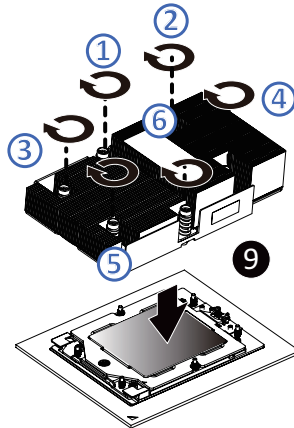
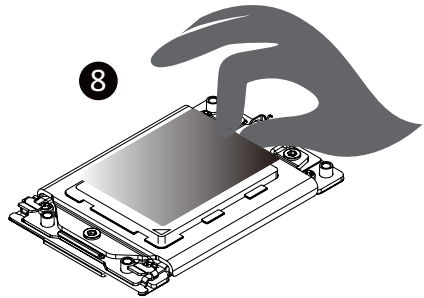
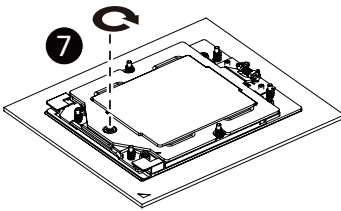
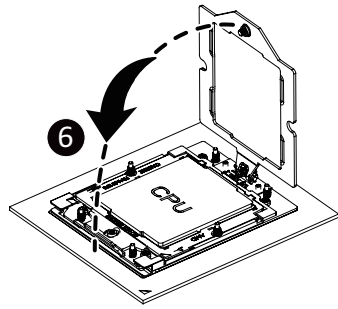
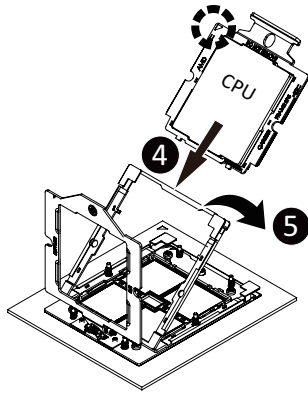
Follow these instructions to install the CPU:

1. Loosen the three captive screws securing the CPU cover.
2. Flip open the CPU cover.
3. Remove the CPU carrier from the CPU frame using the handle on the CPU carrier.
4. Using the handle on the CPU carrier insert the new CPU carrier with CPU installed into the CPU frame.

NOTE: Ensure the CPU is installed in the CPU carrier in the correct orientation, with the triangle on the CPU aligned to the top left corner of the CPU carrier.

5. Flip the CPU frame with CPU installed into place in the CPU socket.
6. Flip the CPU cover into place over the CPU socket.
7. Tighten the CPU cover screw to secure the CPU cover in place.
8. Place the thermal pad on the top of CPU.
9. When installing the heatsink to CPU, use a Torx T20 screwdriver to tighten 4 captive nuts in sequence as 1-6.
10. Repeat steps 1-9 for the second CPU and the heatsink.
11. To remove the CPUs, follow steps 1-7 in reverse order.





- Lock the CPU by using a Torx T20 screwdriver to tighten screw.
- When installing the heatsink to CPU, use a Torx T20 screwdriver to tighten 6 captive nuts in sequence as 1-6.
- The screw tightening torque: 12.5-15.0 kgf-cm.
- To ensure the system operates properly, make sure the heatsink is seated on the processor firmly.

3-6 Removing and Installing Memory

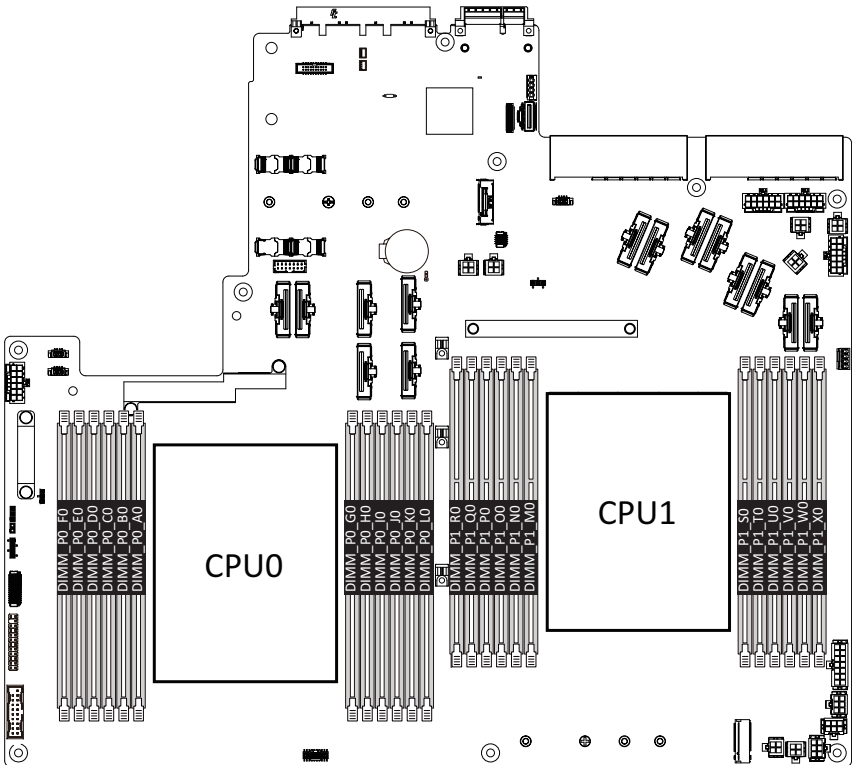


Read the following guidelines before you begin to install the memory:

- Make sure that the motherboard supports the memory. It is recommended that memory of the same capacity, brand, speed, and chips be used.
- Always turn off the computer and unplug the power cord from the power outlet before installing the memory to prevent hardware damage.
- Memory modules have a foolproof design. A memory module can be installed in only one direction. If you are unable to insert the memory, switch the direction.

3-6-1 Twelve Channel Memory Configuration

This motherboard provides 24 DDR5 memory sockets and supports Twelve Channel Technology. After the memory is installed, the BIOS will automatically detect the specifications and capacity of the memory.



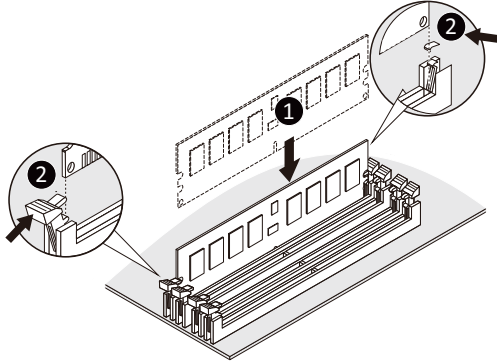
3-6-2 Removing and Installing a Memory Module



Before installing a memory module, make sure to turn off the computer and unplug the power cord from the power outlet to prevent damage to the memory module. Be sure to install DDR5 DIMMs on to this motherboard.

Follow these instructions to install a DIMM module:

1. Insert the DIMM memory module vertically into the DIMM slot and push it down.
2. Close the plastic clip at both edges of the DIMM slots to lock the DIMM module.
3. Reverse the installation steps when you want to remove the DIMM module.



3-6-3 Processor and Memory Module Matrix Table

| Memory Q'ty for each CPU | CPU0 | | | | | | | | | | CPU1 | | | | | | | | | | | | | |
|-----------------------------|------|----|----|----|----|----|----|----|----|----|------|----|----|----|----|----|----|----|----|----|----|----|----|----|
| | F0 | E0 | D0 | C0 | B0 | A0 | G0 | H0 | I0 | J0 | K0 | L0 | R0 | Q0 | P0 | O0 | N0 | M0 | S0 | T0 | U0 | V0 | W0 | X0 |
| 1 DIMM | | | | | | v | | | | | | | | | | | | | v | | | | | |
| 2 DIMM | | | | | | v | v | | | | | | | | | | | | v | v | | | | |
| 4 DIMM | | | | v | | v | v | | v | | | | | | | | v | | v | v | | v | | |
| 6 DIMM | | | | v | v | v | v | v | v | | | | | | | | v | v | v | v | v | v | | |
| 8 DIMM | v | | | v | v | v | v | v | v | | v | | v | | | v | v | v | v | v | v | v | | v |
| 10 DIMM | v | v | | v | v | v | v | v | v | v | v | | | v | v | | v | v | v | v | v | v | v | v |
| 12 DIMM | v | v | v | v | v | v | v | v | v | v | v | v | v | v | v | | v | v | v | v | v | v | v | v |

3-6-4 Memory Population Table

EPYC Memory Speed based on DIMM Population (One DIMM per Channel)

| DIMM Type | DIMM Population | Max EPYC 9004 DDR5 Frequency (MT/s) |
|-----------|-----------------|--|
| | DIMM 0 | |
| RDIMM | 1R (1 Rank) | 4800 |
| | 2R (2 Ranks) | 4800 |
| 3DS RDIMM | 2S2R (4 Ranks) | 4800 |
| | 2S4R (8 Ranks) | 4800 |
| | 2S8R (16 ranks) | 4800 |

EPYC Memory Speed based on DIMM Population (Two DIMM per Channel)

| DIMM Type | DIMM Population | | DDR5 Frequency (MT/s) | | |
|--------------|-----------------|-----------------|-------------------------------------|-------------------------------------|-------------------------------------|
| | DIMM 0 | DIMM 1 | 14L 93mil high-Dk PCB stackup | 14L 74mil high-Dk PCB stackup | 16L 93mil high-Dk PCB stackup |
| RDIMM | -- | 1R | 4800 | 4800 | 4800 |
| | 1R | 1R | 4000 | 4000 | 4000 |
| | -- | 2R | 4400 | 4800 | 4800 |
| | 1R | 2R | 3600 | 3600 | 3600 |
| | 2R | 2R | 3600 | 3600 | 3600 |
| 3DS RDIMM | -- | 2S2R (4 Ranks) | 4400 | 4800 | 4800 |
| | -- | 2S4R (8 Ranks) | 4400 | 4800 | 4800 |
| | -- | 2S8R (16 Ranks) | 4400 | 4800 | 4800 |
| | 2S2R (4 Ranks) | 2S2R (4 Ranks) | 3600 | 3600 | 3600 |
| | 2S4R (8 Ranks) | 2S4R (8 Ranks) | 3600 | 3600 | 3600 |
| | 2S8R (16 Ranks) | 2S8R (16 Ranks) | 3600 | 3600 | 3600 |

3-7 Removing and Installing the PCIe Card



- Voltages can be present within the server whenever an AC power source is connected. This voltage is present even when the main power switch is in the off position. Ensure that the system is powered off and all power sources have been disconnected from the server prior to installing a PCIe card.
- Failure to observe these warnings could result in personal injury or damage to equipment.



- The PCIe riser assembly does not include a riser card or any cabling as standard. To install a PCIe card, a riser card must be installed.

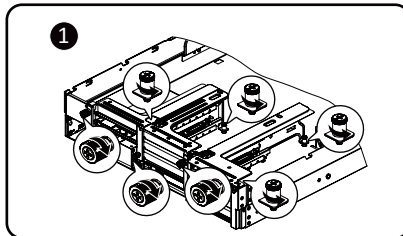
Follow these instructions to install a PCIe card:

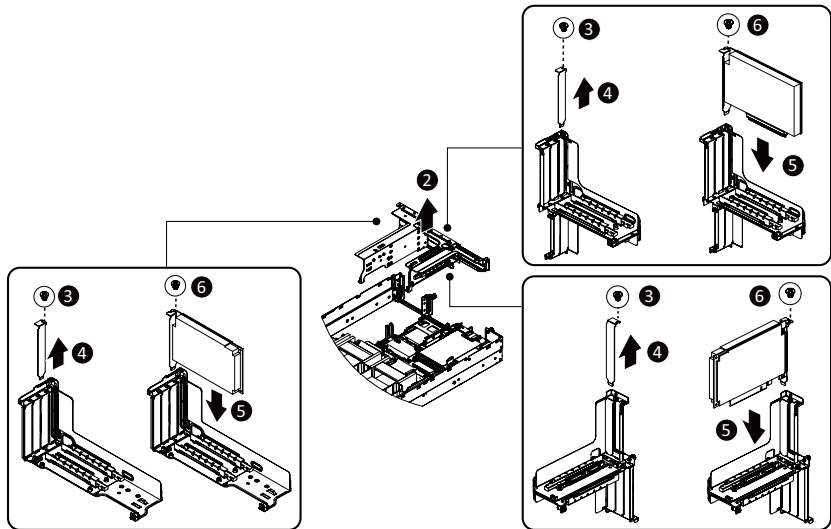
1. Loosen the seven thumbnail screws securing the riser bracket inside the system.
2. Lift up the riser bracket out of system.
3. Remove the screw securing the slot cover from riser bracket.
4. Orient the PCIe card with the riser guide slot and push in the direction of the arrow until the PCIe card sits in the PCIe card connector.

NOTE: Some riser brackets allow for single or multiple PCIe cards.

Repeat steps 3-4 as necessary.

5. Secure the PCIe card with the screw.
6. Repeat steps 1-2 to install the PCIe card into the system.





3-8 Installing the Mezzanine Card

3-8-1 Installing the OCP 3.0 Mezzanine Card

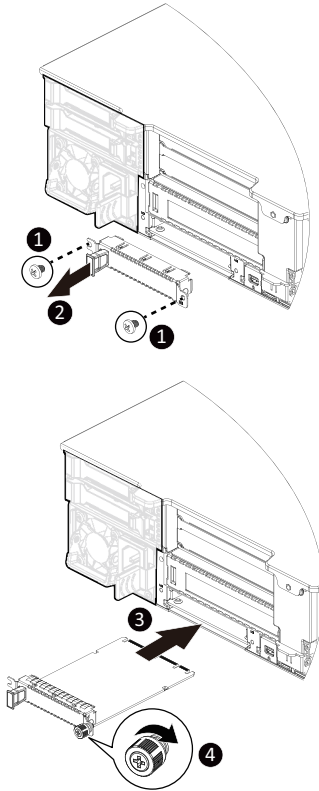


Use of the following type of OCP 3.0 NIC is recommended:

- OCP 3.0 SFF with pull tab
- OCP 3.0 SFF with ejector latch

Follow these instructions to install an OCP 3.0 Mezzanine card:

1. Remove the two screws securing the OCP 3.0 card slot cover.
2. Remove the slot cover from the system.
3. Insert the OCP 3.0 card into the card slot ensuring that the card is firmly connected to the connector on the motherboard.
4. Tighten the thumbnail screw to secure the OCP 3.0 card in place.
5. Reverse steps 3-4 to replace the OCP 3.0 card.



3-9 Installing the M.2 Device and Heat Sink

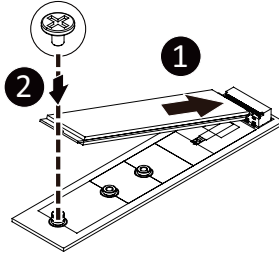


CAUTION

The position of the stand-off screw will depend on the size of the M.2 device. The stand-off screw is pre-installed for 22110 cards as standard. Refer to the size of the M.2 device and change the position of the stand-off screw accordingly.

Follow these instructions to install the M.2 device:

1. Insert the M.2 SSD module into the slot.
2. Secure it with the screw, tightening as necessary to fasten the M.2 SSD module in place.



3-9-1 M.2 device with Heatsink



WARNING:

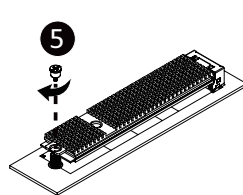
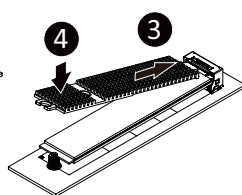
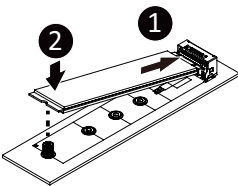
Please ensure a heatsink is attached to any M.2 device installed into the system. Installing an M.2 device without any heatsink may result in the system overheating or system performance being throttled.



- Please Go to [M.2 Slot Location](#) for specific M.2 Slot location.
- To install/remove the M.2 module and Heatsink use a No. 1 Phillips-head screwdriver with a screw torque of $1.5 \pm 0.2 \text{ kgf}\cdot\text{cm}$

Follow these instructions to install the M.2 device and heat sink:

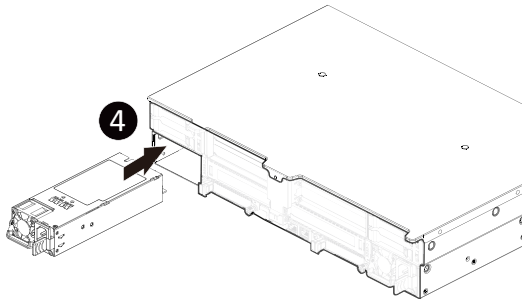
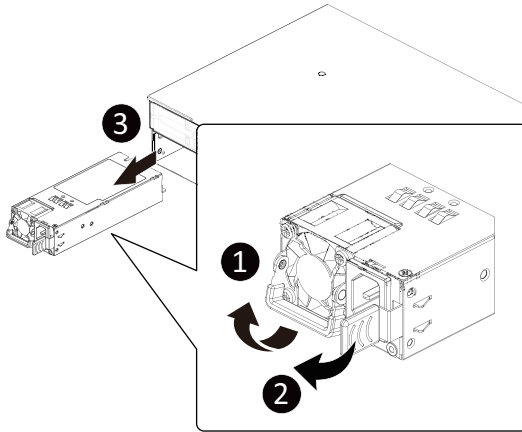
1. Insert the M.2 device into the M.2 connector.
2. Press down on the M.2 device.
3. Install the thermal pad of the M.2 device to the M.2 device.
4. Press down on the thermal pad.
5. Secure the M.2 device and its thermal pad to the motherboard with a single screw.
6. Reverse steps 1-2 to remove the M.2 device.



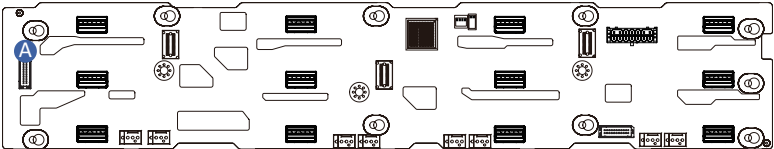
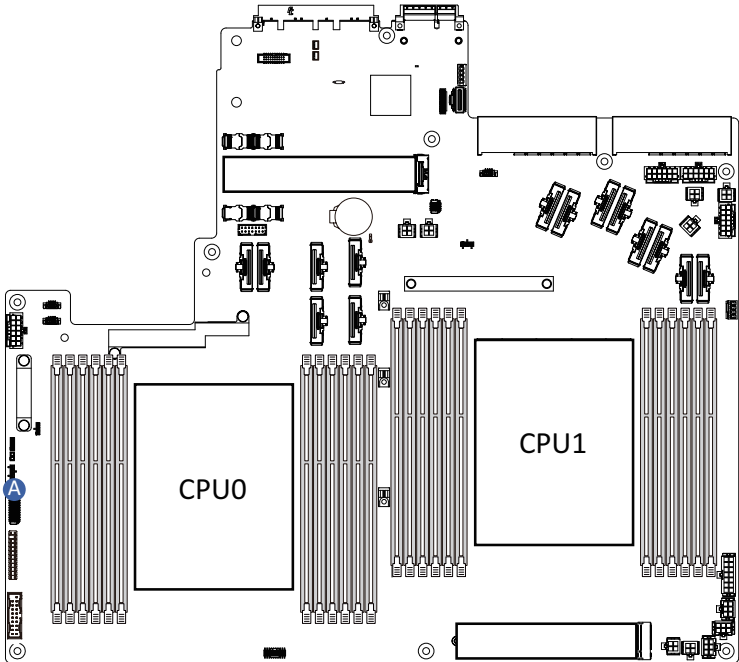
3-10 Removing and Installing the Power Supply

Follow these instructions to replace the power supply:

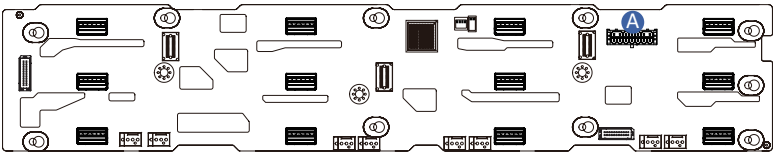
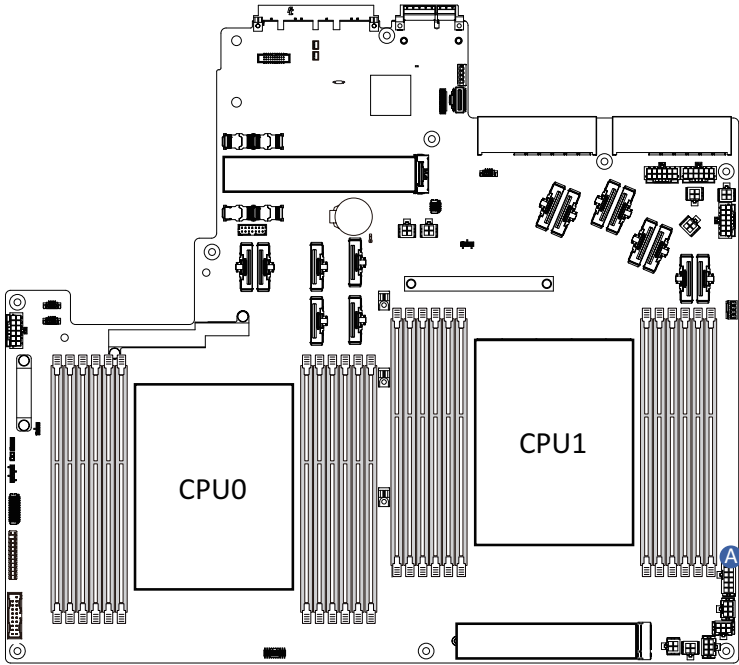
1. Flip up and then grasp the power supply handle.
2. Press the retaining clip on the right side of the power supply unit in the direction indicated.
3. Pull out the power supply unit using the handle.
4. Insert the replacement power supply unit firmly into the chassis. Connect the AC power cord to the replacement power supply.
5. Repeat steps 1-4 for replacement of the second power supply.



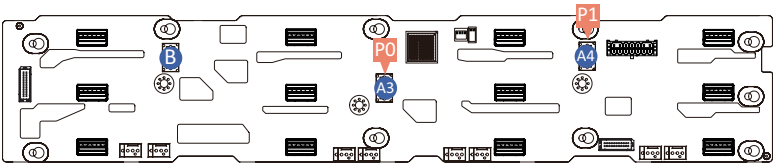
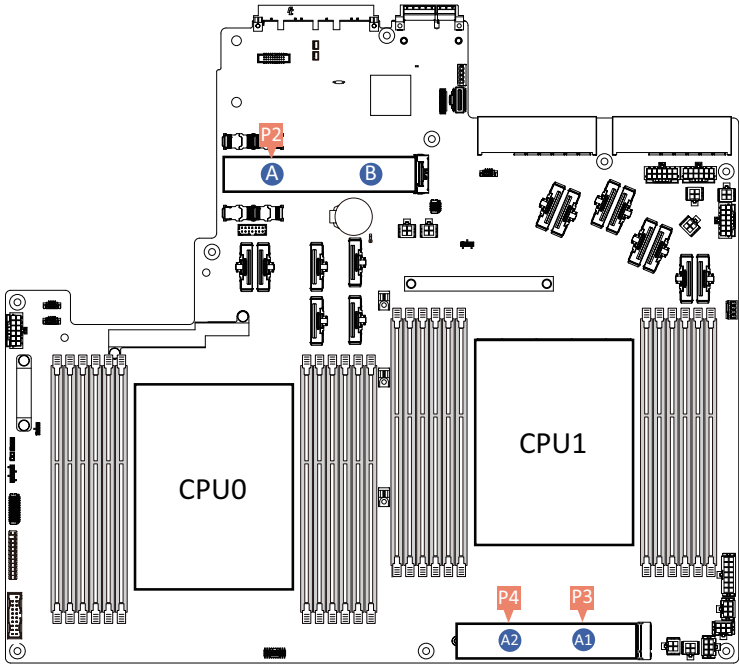
3-11 Cable Routing



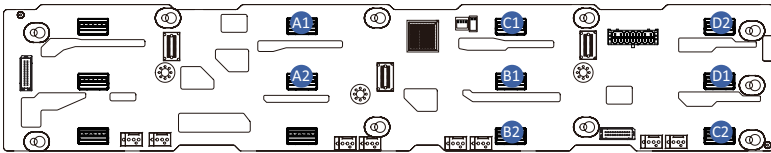
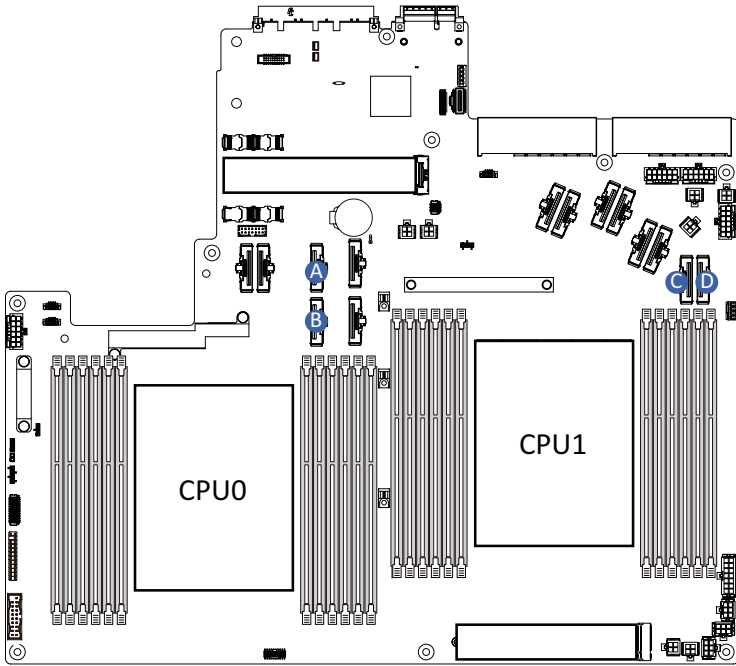
| | | |
|---|----------------------------------|--------------------|
| A | HDD Backplane Board Signal Cable | Motherboard: BP_1 |
| | | F/ HDD Board: BP_1 |



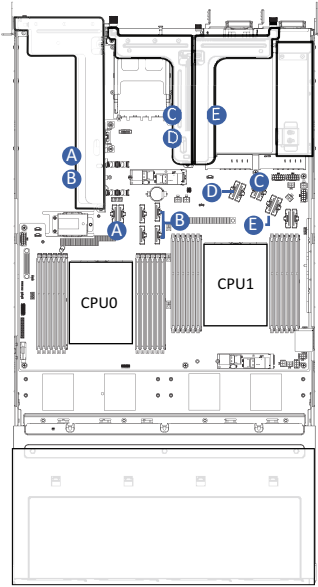
| | | |
|---|---------------------------------|-----------------------|
| A | HDD Backplane Board Power Cable | Motherboard: BP_ATX1 |
| | | Front HDD Board: ATX1 |



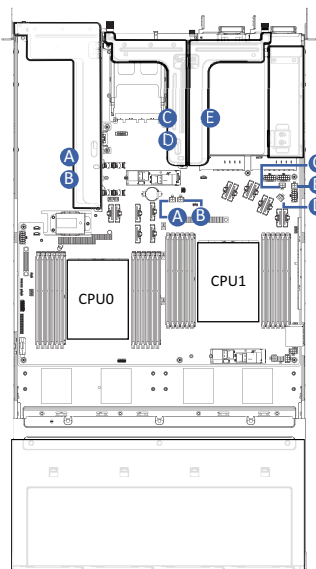
| | | |
|---|------------|--|
| A | SATA Cable | M.2 Module: A: SATA_RA2 A1: SATA_RA4 A2: SATA_RA2 |
| | | Front HDD Board: A3: SL_SAS1 A4: SL_SAS2 |
| B | SATA Cable | M.2 Module: SATA_RA4 |
| | | Front HDD Board: SL_SAS0 |



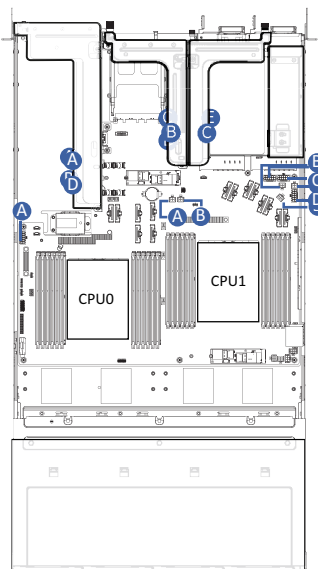
| | | | | | |
|---|-------------------|--|---|---------------------|--|
| A | NVMe 4-5 Cable | Motherboard: U2_P0_P0_0 | C | NVMe 8-9 Cable | Motherboard: U2_P1_P2_0 |
| | | Front HDD Board: A1: U.2_5 A2: U.2_4 | | | Front HDD Board: C1: U.2_9 C2: U.2_8 |
| B | NVMe 6-7 Cable | Motherboard: U2_P0_P0_1 | D | NVMe 10-11 Cable | Motherboard: U2_P1_P2_1 |
| | | Front HDD Board: B1: U.2_7 B2: U.2_6 | | | Front HDD Board: D1: U.2_11 D2: U.2_10 |



| | | |
|---|------------------------------|---------------------------------------|
| A | PCIe Riser Card Signal Cable | Motherboard: U2_P0_P1_0/U2_P0_P1_1 |
| | | Riser Slot: Cable |
| B | PCIe Riser Card Signal Cable | Motherboard: U2_P0_P3_0/U2_P0_P3_1 |
| | | Riser Slot: Cable |
| C | PCIe Riser Card Signal Cable | Motherboard: U2_P1_P0_0/U2_P1_P0_1 |
| | | Riser Slot: Cable |
| D | PCIe Riser Card Signal Cable | Motherboard: U2_P1_P1_0/U2_P1_P1_1 |
| | | Riser Slot: Cable |
| E | PCIe Riser Card Signal Cable | Motherboard: U2_P1_P3_0/U2_P1_P3_1 |
| | | Riser Slot: Cable |



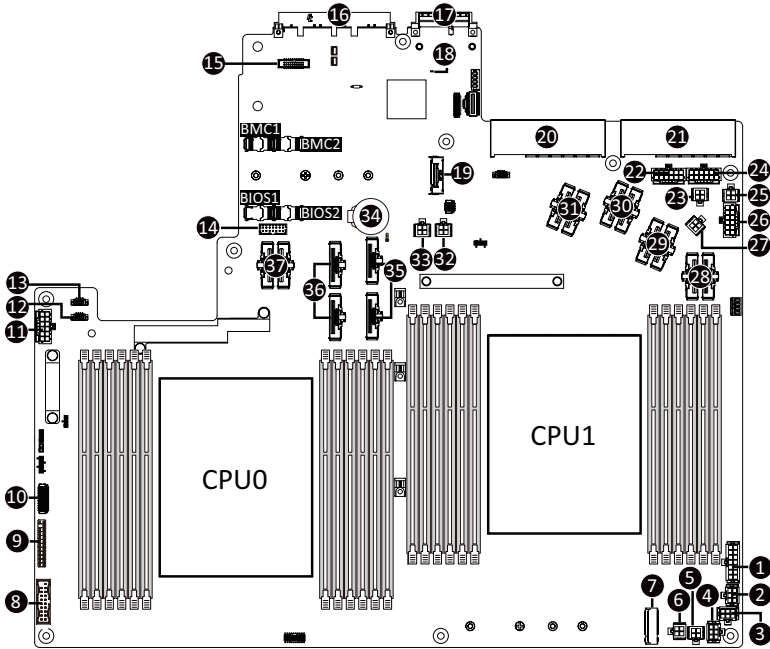
| | | |
|----------|------------------------------|---------------------------|
| A | PCIe Riser Card Power Cable | Motherboard: PCIe1_PWR |
| | | Riser Slot: Cable |
| B | PCIe Riser Card Power Cable | Motherboard: PCIe2_PWR |
| | | Riser Slot: Cable |
| C | PCIe Riser Card Power Cable | Motherboard: PCIe4_PWR |
| | | Riser Slot: Cable |
| D | PCIe Riser Card Power Cable | Motherboard: PCIe3_PWR |
| | | Riser Slot: Cable |
| E | PCIe Riser Card Signal Cable | Motherboard: PCIe5_PWR |
| | | Riser Slot: Cable |



| | | |
|----------|----------------------------|-------------------------|
| A | GPU Riser Card Power Cable | Motherboard: P12V_S3 |
| | | Riser Slot: Cable |
| B | GPU Riser Card Power Cable | Motherboard: P12V_S8 |
| | | Riser Slot: Cable |
| C | GPU Riser Card Power Cable | Motherboard: P12V_S9 |
| | | Riser Slot: Cable |
| D | GPU Riser Card Power Cable | Motherboard: P12V_S7 |
| | | Riser Slot: Cable |

Chapter 4 Motherboard Components

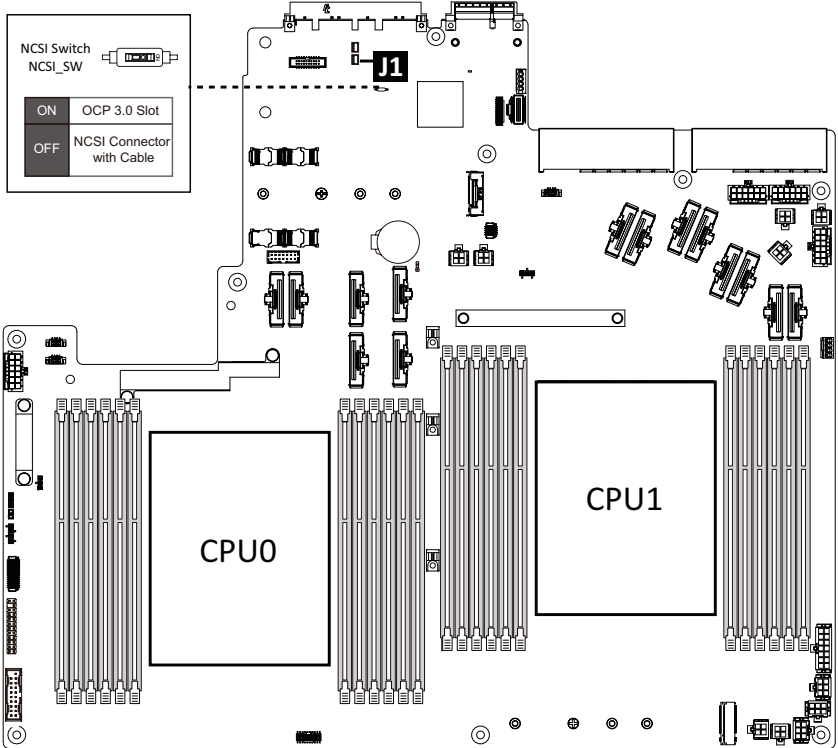
4-1 Motherboard Components



| Item | Description |
|------|---|
| 1 | 2 x 7 Pin ATX Backplane Power Connector |
| 2 | 2 x 3 Pin ATX Backplane Power Connector |
| 3 | 2 x 3 Pin ATX Backplane Power Connector |
| 4 | 2 x 3 Pin ATX Backplane Power Connector |
| 5 | 2 x 2 Pin P12V Backplane Power Connector |
| 6 | 2 x 2 Pin P12V Backplane Power Connector |
| 7 | M.2 Slot (PCIe Gen3 x4, Supports NGFF-2280) |
| 8 | Front Panel USB 3.2 Gen1 Connector |
| 9 | Front Panel Connector |
| 10 | HDD Backplane Board Connector |
| 11 | P12V GPU Power Connector (P12V_S3) |
| 12 | GPU Fan Connector |
| 13 | GPU Fan Connector |
| 14 | TPM Module Connector (SPI Interface) |
| 15 | NCSI Connector for add-on LAN Card (CN_NCSI) |
| 16 | OCP 3.0 Connector (PCIe Gen5 x16) |
| 17 | IO Card Slot for IO Board |
| 18 | BMC Firmware Readiness LED |
| 19 | M.2 Slot (PCIe Gen3 x4, NGFF-22110/Supports heatsink) |

| Item | Description |
|------|--|
| 20 | Power Supply Connector#1 (Primary) |
| 21 | Power Supply Connector#2 (Secondary) |
| 22 | P12V GPU Power Connector (P12V_S8) |
| 23 | 2 x 2 Pin Slot Power Connector |
| 24 | P12V GPU Power Connector (P12V_S9) |
| 25 | 2 x 2 Pin Slot Power Connector |
| 26 | P12V GPU Power Connector (P12V_S7) |
| 27 | 2 x 2 Pin Slot Power Connector |
| 28 | MCIO Connector (U2_P1_P2_0/U2_P1_P2_1) |
| 29 | MCIO Connector (U2_P1_P3_0/U2_P1_P3_1) |
| 30 | MCIO Connector (U2_P1_P0_0/U2_P1_P0_1) |
| 31 | MCIO Connector (U2_P1_P1_0/U2_P1_P1_1) |
| 32 | 2 x 2 Pin Slot Power Connector |
| 33 | 2 x 2 Pin Slot Power Connector |
| 34 | System Battery |
| 35 | MCIO Connector (U2_P0_P3_0/U2_P0_P3_1) |
| 36 | MCIO Connector (U2_P0_P0_0/U2_P0_P0_1) |
| 37 | MCIO Connector (U2_P0_P1_0/U2_P0_P1_1) |

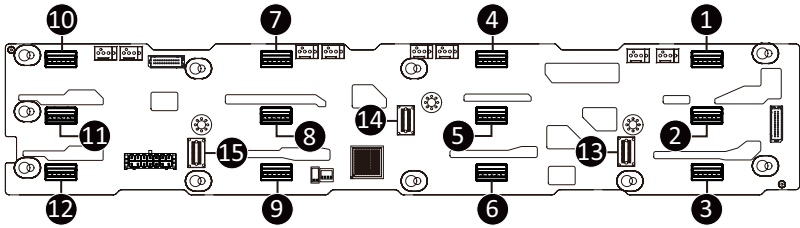
4-2 Jumper Settings



| J1 | | ON | OFF |
|----|----------------|---------------------------|------------------|
| 1 | HOST_SMBUS_SEL | BIOS defined | |
| 2 | Reserved | Reserved | |
| 3 | BIOS_PWD | Clear supervisor password | Normal [Default] |
| 4 | BIOS_RCVR | BIOS recovery mode | Normal [Default] |

4-3 Backplane Board Storage Connector

4-3-1 CBP20C7



| Item | Description |
|------|--|
| 1. | MCIO Connector (MCIO 4i/U.2_0) |
| 2. | MCIO Connector (MCIO 4i/U.2_1) |
| 3. | MCIO Connector (MCIO 4i/U.2_2) |
| 4. | MCIO Connector (MCIO 4i/U.2_3) |
| 5. | MCIO Connector (MCIO 4i/U.2_4) |
| 6. | MCIO Connector (MCIO 4i/U.2_5) |
| 7. | MCIO Connector (MCIO 4i/U.2_6) |
| 8. | MCIO Connector (MCIO 4i/U.2_7) |
| 9. | MCIO Connector (MCIO 4i/U.2_8) |
| 10. | MCIO Connector (MCIO 4i/U.2_9) |
| 11. | MCIO Connector (MCIO 4i/U.2_10) |
| 12. | MCIO Connector (MCIO 4i/U.2_11) |
| 13. | SlimLine Connector (SFF-8654 4i/SL_SAS0) |
| 14. | SlimLine Connector (SFF-8654 4i/SL_SAS1) |
| 15. | SlimLine Connector (SFF-8654 4i/SL_SAS2) |

Chapter 5 BIOS Setup

BIOS (Basic Input and Output System) records hardware parameters of the system in the EFI on the motherboard. Its major functions include conducting the Power-On Self-Test (POST) during system startup, saving system parameters, loading the operating system etc. The BIOS includes a BIOS Setup program that allows the user to modify basic system configuration settings or to activate certain system features. When the power is turned off, the battery on the motherboard supplies the necessary power to the CMOS to keep the configuration values in the CMOS.

To access the BIOS Setup program, press the key during the POST when the power is turned on.



- BIOS flashing is potentially risky, if you do not encounter any problems when using the current BIOS version, it is recommended that you don't flash the BIOS. To flash the BIOS, do it with caution. Inadequate BIOS flashing may result in system malfunction.
- It is recommended that you not alter the default settings (unless you need to) to prevent system instability or other unexpected results. Inadequately altering the settings may result in system's failure to boot. If this occurs, try to clear the CMOS values and reset the board to default values. (Refer to the **Exit** section in this chapter or introductions of the battery/clearing CMOS jumper in Chapter 4 for how to clear the CMOS values.)

BIOS Setup Program Function Keys

| | |
|----------|--|
| <<-><->> | Move the selection bar to select the screen |
| <↑><↓> | Move the selection bar to select an item |
| <+> | Increase the numeric value or make changes |
| <-> | Decrease the numeric value or make changes |
| <Enter> | Execute command or enter the submenu |
| <Esc> | Main Menu: Exit the BIOS Setup program Submenus: Exit current submenu |
| <F1> | Show descriptions of general help |
| <F3> | Restore the previous BIOS settings for the current submenus |
| <F9> | Load the Optimized BIOS default settings for the current submenus |
| <F10> | Save all the changes and exit the BIOS Setup program |

- **Main**

This setup page includes all the items of the standard compatible BIOS.

- **Advanced**

This setup page includes all the items of AMI BIOS special enhanced features.

(ex: Auto detect fan and temperature status, automatically configure hard disk parameters.)

- **AMD CBS**

This setup page includes the common items for configuration of AMD motherboard-related information.

- **AMD PBS Option**

This setup page includes the common items for configuration of AMD CPM RAS related settings.

- **Chipset**

This setup page includes all the submenu options for configuring the functions of the North Bridge.

- **Server Management**

Server additional features enabled/disabled setup menus.

- **Security**

Change, set, or disable supervisor and user password. Configuration supervisor password allows you to restrict access to the system and BIOS Setup.

A supervisor password allows you to make changes in BIOS Setup.

A user password only allows you to view the BIOS settings but not to make changes.

- **Boot**

This setup page provides items for configuration of the boot sequence.

- **Save & Exit**

Save all the changes made in the BIOS Setup program to the CMOS and exit BIOS Setup. (Pressing <F10> can also carry out this task.)

Abandon all changes and the previous settings remain in effect. Pressing <Y> to the confirmation message will exit BIOS Setup. (Pressing <Esc> can also carry out this task.)

5-1 The Main Menu

Once you enter the BIOS Setup program, the Main Menu (as shown below) appears on the screen. Use arrow keys to move among the items and press <Enter> to accept or enter other sub-menu.

Main Menu Help

The on-screen description of a highlighted setup option is displayed on the bottom line of the Main Menu.

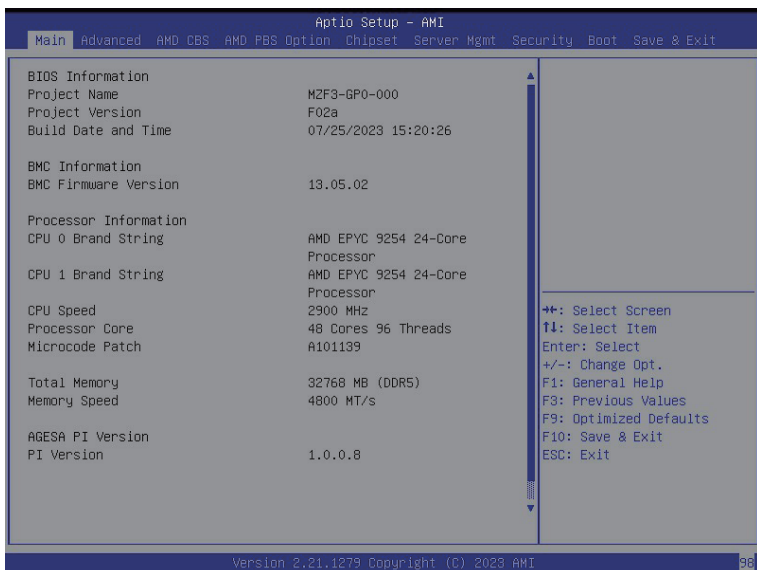
Submenu Help

While in a submenu, press <F1> to display a help screen (General Help) of function keys available for the menu. Press <Esc> to exit the help screen. Help for each item is in the Item Help block on the right side of the submenu.



- When the system is not stable as usual, select the **Restore Defaults** item to set your system to its defaults.
- The BIOS Setup menus described in this chapter are for reference only and may differ by BIOS version.





| Parameter | Description |
|--|---|
| BIOS Information | |
| Project Name | Displays the project name information. |
| Project Version | Displays version number of the BIOS setup utility. |
| Build Date and Time | Displays the date and time when the BIOS setup utility was created. |
| BMC Information ^(Note1) | |
| BMC Firmware Version ^(Note1) | Displays BMC firmware version information. |
| Processor Information | |
| CPU Brand String/ CPU Speed / Processor Core / Microcode Patch | Displays the technical specifications for the installed processor(s). |
| Total Memory ^(Note2) | Displays the total memory size of the installed memory. |
| Memory Speed ^(Note2) | Displays the frequency information of the installed memory. |
| VR Information Version | Displays VR version information. |
| AGESA PI Version | |
| PI Version | Displays AGESA PI version information. |

(Note1) Functions available on selected models.

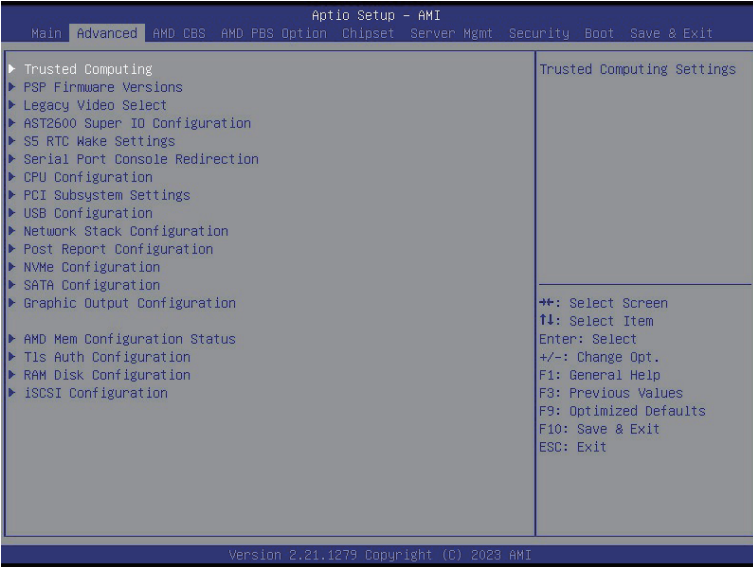
(Note2) This section will display capacity and frequency information of the memory that the customer has installed.

| Parameter | Description |
|------------------|---|
| System Date | Sets the date following the weekday-month-day-year format. |
| System Time | Sets the system time following the hour-minute-second format. |

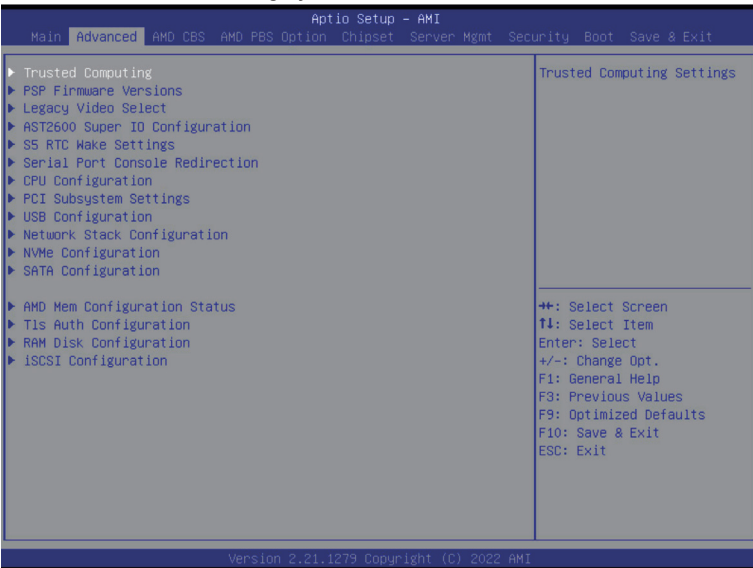
5-2 Advanced Menu

The Advanced Menu displays submenu options for configuring the function of various hardware components. Select a submenu item, then press <Enter> to access the related submenu screen.

When Boot Mode Select is set to UEFI (Default)



When "Boot Mode Select" is set to Legacy in the Boot > Boot Mode Select section



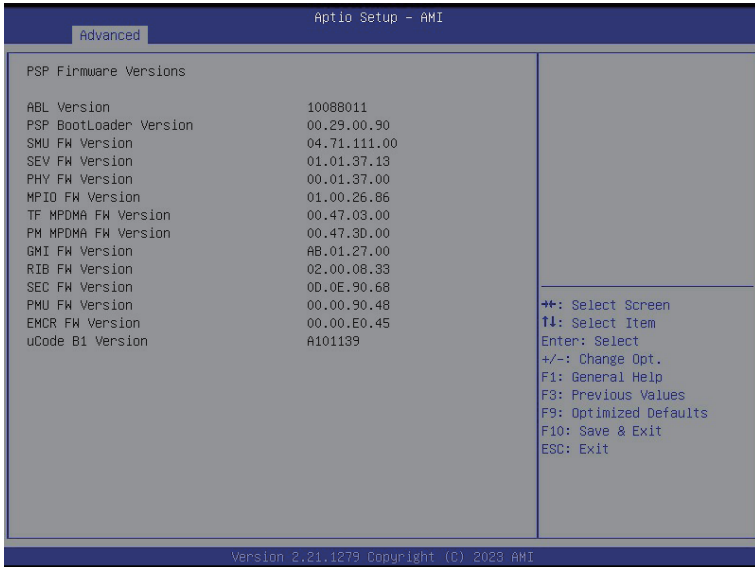
5-2-1 Trusted Computing



| Parameter | Description |
|-------------------------|--|
| Configuration | |
| Security Device Support | <p>Enable/Disable BIOS support for security device. OS will not show security device. TCG EFI protocol and INT1A interface will not be available.</p> <p>Options available: Disable, Enable. Default setting is Enable.</p> |
| SPI TPM Support | <p>Select Enable to activate TPM support feature.</p> <p>Options available: Disabled, Enabled. Default setting is Disabled.</p> |

5-2-2 PSP Firmware Versions

The PSP Firmware Versions page displays the basic PSP firmware version information. Items on this window are non-configurable.



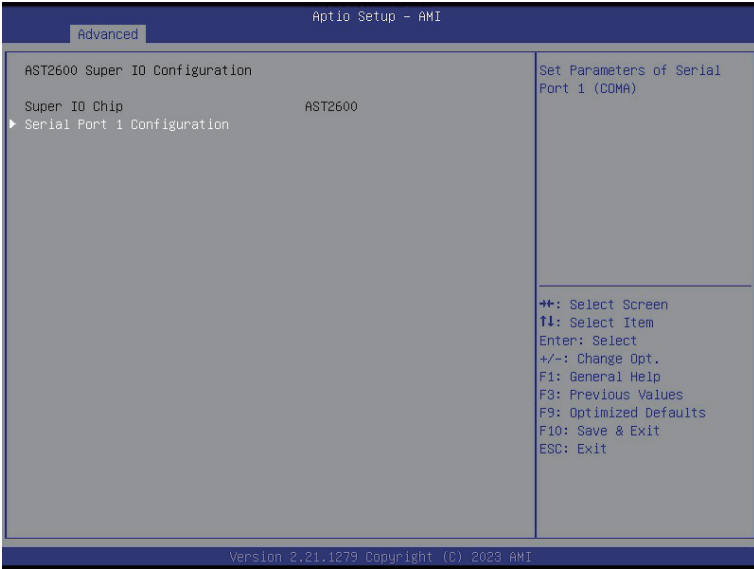
5-2-3 Legacy Video Select



| Parameter | Description |
|----------------------|--|
| OnBrd/Ext VGA Select | Selects between onboard or external VGA support. Options available: Auto, Onboard, External. Default setting is Auto . |

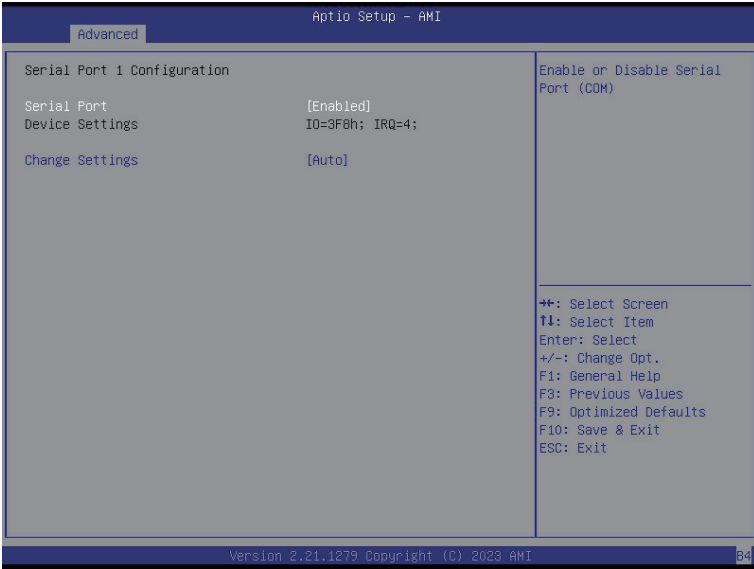
(Note) This configurable option will be displayed when "Boot Mode Select" is set to Legacy in the Boot > Boot Mode Select section.

5-2-4 AST2600 Super IO Configuration



| Parameter | Description |
|--------------------------------|--|
| AST2600 Super IO Configuration | |
| Super IO Chip | Displays the super IO chip information |
| Serial Port 1 Configuration | Press [Enter] for configuration of advanced items. |

5-2-4-1 Serial Port 1 Configuration



| Parameter | Description |
|-------------------------------|--|
| Serial Port 1 Configuration | |
| Serial Port ^(Note) | Enable/Disable the Serial Port (COM). When set to Enabled allows you to configure the Serial port 1 settings. When set to Disabled, displays no configuration for the serial port. Options available: Disabled, Enabled. Default setting is Enabled . |
| Devices Settings | Displays the Serial Port 1 device settings. |
| Change Settings | Select an optimal settings for Super IO Device. Options available for Serial Port 1: Auto IO=3F8h; IRQ=4; IO=3F8h; IRQ=3, 4, 5, 6, 7, 9, 10, 11, 12; IO=2F8h; IRQ=3, 4, 5, 6, 7, 9, 10, 11, 12; IO=3E8h; IRQ=3, 4, 5, 6, 7, 9, 10, 11, 12; IO=2E8h; IRQ=3, 4, 5, 6, 7, 9, 10, 11, 12; Default setting is Auto . |

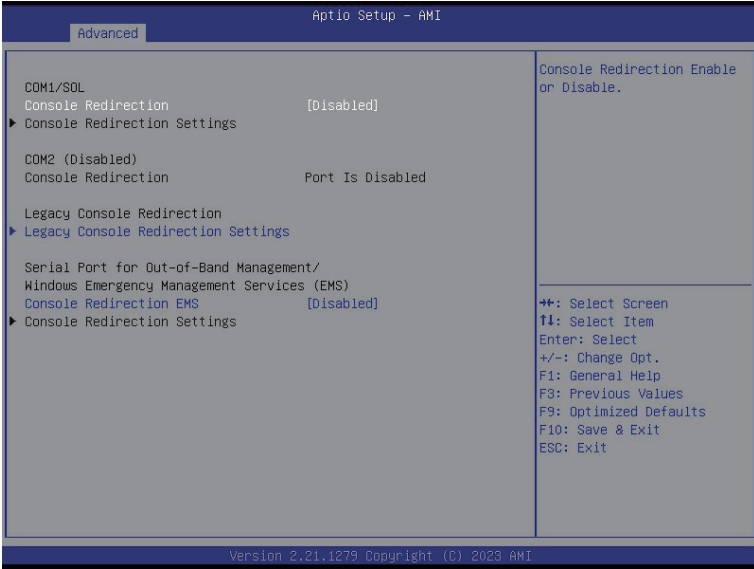
(Note) Advanced items prompt when this item is defined.

5-2-5 S5 RTC Wake Settings



| Parameter | Description |
|---------------------|--|
| Wake System from S5 | Enable/Disable system wake on alarm event. Options available: Disabled, Fixed Time, Dynamic Time. When Fixed Time is selected, system will wake on the hr::min::sec specified. Default setting is Disabled . |

5-2-6 Serial Port Console Redirection



| Parameter | Description |
|--|--|
| COM1/Serial Over LAN Console Redirection ^(Note) | Select whether to enable console redirection for specified device. Console redirection enables the users to manage the system from a remote location. Options available: Enabled, Disabled. Default setting is Disabled . |
| COM1/Serial Over LAN Console Redirection Settings | Press [Enter] to configure advanced items. Please note that this item is configurable when COM1/Serial Over LAN Console Redirection is set to Enabled. <ul style="list-style-type: none"> ◆ Terminal Type <ul style="list-style-type: none"> – Selects a terminal type to be used for console redirection. – Options available: VT100, VT100+, ANSI, VT-UTF8. Default setting is ANSI. ◆ Bits per second <ul style="list-style-type: none"> – Selects the transfer rate for console redirection. – Options available: 9600, 19200, 38400, 57600, 115200. Default setting is 115200. ◆ Data Bits <ul style="list-style-type: none"> – Selects the number of data bits used for console redirection. – Options available: 7, 8. Default setting is 8. |

(Note) Advanced items prompt when this item is defined.

| Parameter | Description |
|---|---|
| COM1/Serial Over LAN Console Redirection Settings (continued) | <ul style="list-style-type: none"> ◆ Parity <ul style="list-style-type: none"> – A parity bit can be sent with the data bits to detect some transmission errors. – Even: parity bit is 0 if the num of 1's in the data bits is even. – Odd: parity bit is 0 if num of 1's in the data bits is odd. – Mark: parity bit is always 1. Space: Parity bit is always 0. – Mark and Space Parity do not allow for error detection. – Options available: None, Even, Odd, Mark, Space. Default setting is None. ◆ Stop Bits <ul style="list-style-type: none"> – Stop bits indicate the end of a serial data packet. (A start bit indicates the beginning). The standard setting is 1 stop bit. Communication with slow devices may require more than 1 stop bit. – Options available: 1, 2. Default setting is 1. ◆ Flow Control <ul style="list-style-type: none"> – Flow control can prevent data loss from buffer overflow. When sending data, if the receiving buffers are full, a 'stop' signal can be sent to stop the data flow. Once the buffers are empty, a 'start' signal can be sent to re-start the flow. Hardware flow control uses two wires to send start/stop signals. – Options available: None, Hardware RTS/CTS. Default setting is None. ◆ VT-UTF8 Combo Key Support <ul style="list-style-type: none"> – Enable/Disable the VT-UTF8 Combo Key Support. – Options available: Enabled, Disabled. Default setting is Enabled. ◆ Recorder Mode <ul style="list-style-type: none"> – When this mode enabled, only texts will be send. This is to capture Terminal data. – Options available: Enabled, Disabled. Default setting is Disabled. ◆ Resolution 100x31 <ul style="list-style-type: none"> – Enable/Disable extended terminal resolution. – Options available: Enabled, Disabled. Default setting is Enabled. ◆ Putty KeyPad <ul style="list-style-type: none"> – Selects Function Key and KeyPad on Putty. – Options available: VT100, LINUX, XTERMR6, SC0, ESCN, VT400. Default setting is VT100. |

| Parameter | Description |
|--|--|
| Legacy Console Redirection | |
| Legacy Console Redirection Settings | <p>Press [Enter] to configure advanced items.</p> <ul style="list-style-type: none"> ◆ Redirection COM Port <ul style="list-style-type: none"> – Selects a COM port for Legacy serial redirection. – Default setting is COM1/SOL. ◆ Resolution <ul style="list-style-type: none"> – Selects the number of rows and columns used in Console Redirection for legacy OS support. – Options available: 80x24, 80x25. Default setting is 80x24. ◆ Redirect After POST <ul style="list-style-type: none"> – When Bootloader is selected, then Legacy Console Redirection is disabled before booting to legacy OS. When Always Enable is selected, then Legacy Console Redirection is enabled for legacy OS. – Options available: Always Enable, BootLoader. Default setting is Always Enable. |
| Serial Port for Out-of-Band Management / Windows Emergency Management Services (EMS) Console Redirection ^(Note) | <p>EMS console redirection allows the user to configure Console Redirection Settings to support Out-of-Band Serial Port management.</p> <p>Options available: Disabled, Enabled. Default setting is Disabled.</p> |
| Serial Port for Out-of-Band EMS Console Redirection Settings | <p>Press [Enter] to configure advanced items.</p> <p>Please note that this item is configurable when Serial Port for Out-of-Band Management EMS Console Redirection is set to Enabled.</p> <ul style="list-style-type: none"> ◆ Out-of-Band Mgmt Port <ul style="list-style-type: none"> – Microsoft Windows Emergency Management Service (EMS) allows for remote management of a Windows Server OS through a serial port. – Default setting is COM1/SOL. ◆ Terminal Type <ul style="list-style-type: none"> – Selects a terminal type to be used for console redirection. – Options available: VT100, VT100+, ANSI, VT-UTF8. Default setting is ANSI. ◆ Bits per second <ul style="list-style-type: none"> – Selects the transfer rate for console redirection. – Options available: 9600, 19200, 57600, 115200. Default setting is 115200. |

(Note) Advanced items prompt when this item is defined.

| Parameter | Description |
|---|---|
| Serial Port for Out-of-Band EMS Console Redirection Settings(continued) | <ul style="list-style-type: none">◆ Flow Control<ul style="list-style-type: none">– Flow control can prevent data loss from buffer overflow. When sending data, if the receiving buffers are full, a 'stop' signal can be sent to stop the data flow. Once the buffers are empty, a 'start' signal can be sent to re-start the flow. Hardware flow control uses two wires to send start/stop signals.– Options available: None, Hardware RTS/CTS, Software Xon/Xoff. Default setting is None. |

5-2-7 CPU Configuration



| Parameter | Description |
|---------------------|---|
| SVM Mode | Enable/Disable the CPU Virtualization. Options available: Disabled, Enabled. Default setting is Enabled . |
| CPU 0/1 Information | Press [Enter] to view the memory information related to CPU 0/1. |

5-2-8 PCI Subsystem Settings

Aptio Setup - AMI

Advanced

| | | |
|------------------------|-----------|-------------------------------|
| PCI Bus Driver Version | A5.01.28 | ▲ Change U2_P0_P0 PCIe lanes. |
| U2_P0_P0 Lanes | [Auto] | |
| U2_P0_P0 I/O ROM | [Enabled] | |
| U2_P0_P0 Link Speed | [Auto] | |
| U2_P0_P1 Lanes | [Auto] | |
| U2_P0_P1 I/O ROM | [Enabled] | |
| U2_P0_P1 Link Speed | [Auto] | |
| OCF Lanes | [Auto] | |
| OCF I/O ROM | [Enabled] | |
| OCF Link Speed | [Auto] | |
| U2_P0_P3 Lanes | [Auto] | |
| U2_P0_P3 I/O ROM | [Enabled] | |
| U2_P0_P3 Link Speed | [Auto] | |
| U2_P1_P0 Lanes | [Auto] | |
| U2_P1_P0 I/O ROM | [Enabled] | |
| U2_P1_P0 Link Speed | [Auto] | |
| U2_P1_P1 Lanes | [Auto] | |
| U2_P1_P1 I/O ROM | [Enabled] | |
| U2_P1_P1 Link Speed | [Auto] | |

▲ Select Screen
 ⏏ Select Item
 Enter: Select
 +/-: Change Opt.
 F1: General Help
 F3: Previous Values
 F9: Optimized Defaults
 F10: Save & Exit
 ESC: Exit

Version 2.21.1279 Copyright (C) 2023 AMI

Aptio Setup - AMI

Advanced

| | | |
|------------------------------|-----------|--|
| U2_P0_P3 Lanes | [Auto] | ▲ Enables or Disables PCI Express Device Relaxed Ordering. |
| U2_P0_P3 I/O ROM | [Enabled] | |
| U2_P0_P3 Link Speed | [Auto] | |
| U2_P1_P0 Lanes | [Auto] | |
| U2_P1_P0 I/O ROM | [Enabled] | |
| U2_P1_P0 Link Speed | [Auto] | |
| U2_P1_P1 Lanes | [Auto] | |
| U2_P1_P1 I/O ROM | [Enabled] | |
| U2_P1_P1 Link Speed | [Auto] | |
| U2_P1_P2 Lanes | [Auto] | |
| U2_P1_P2 I/O ROM | [Enabled] | |
| U2_P1_P2 Link Speed | [Auto] | |
| U2_P1_P3 Lanes | [Auto] | |
| U2_P1_P3 I/O ROM | [Enabled] | |
| U2_P1_P3 Link Speed | [Auto] | |
| PCI Devices Common Settings: | | |
| Above 4G Decoding | [Enabled] | |
| SR-IOV Support | [Enabled] | |
| Relaxed Ordering | [Enabled] | |

▲ Select Screen
 ⏏ Select Item
 Enter: Select
 +/-: Change Opt.
 F1: General Help
 F3: Previous Values
 F9: Optimized Defaults
 F10: Save & Exit
 ESC: Exit

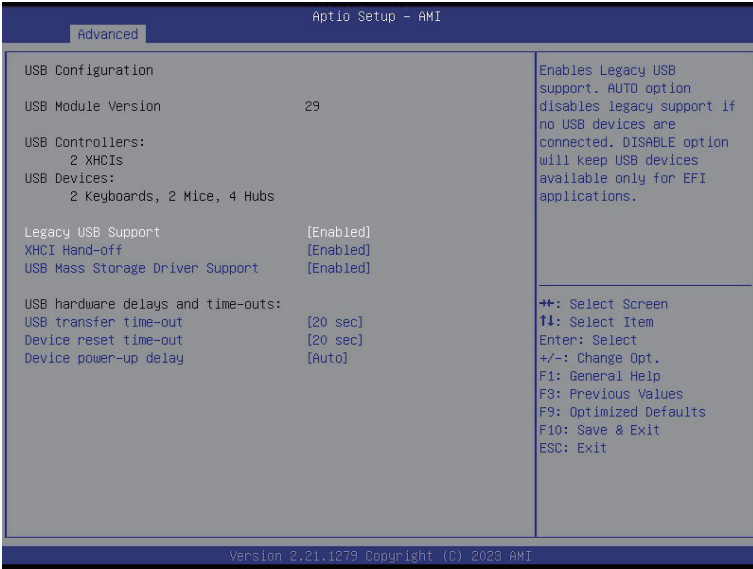
Version 2.21.1279 Copyright (C) 2023 AMI

| Parameter | Description |
|--|---|
| PCI Bus Driver Version | Displays the PCI Bus Driver version information. |
| U2_P0_P_#_Lanes Configuration ^(Note1) U2_P1_P_#_Lanes Configuration ^(Note1) | Change the PCIe lanes. Options available: Disabled, Auto, x16, x8x8, x8x4x4, x4x4x8, x4x4x4x4. Default setting is Auto . |
| U2_P0_P_#_I/O ROM ^(Note1) U2_P1_P_#_I/O ROM ^(Note1) | When enabled, this setting will initialize the device expansion ROM for the related PCI-E slot. Options available: Disabled, Enabled. Default setting is Enabled . |
| U2_P0_P_#_Link Speed ^(Note1) U2_P1_P_#_Link Speed ^(Note1) | Configure PCIe max link speed. Options available: Auto, Gen5, Gen4, Gen3, Gen2, Gen1. Default setting is Auto . |
| PCI Devices Common Settings | |
| Above 4G Decoding | Enable/Disable memory mapped I/O to 4GB or greater address space (Above 4G Decoding). Options available: Disabled, Enabled. Default setting is Enabled . |
| SR-IOV Support | If the system has SR-IOV capable PCIe devices, this item Enable/Disable Single Root IO Virtualization Support. Options available: Disabled, Enabled. Default setting is Enabled . |
| Relaxed Ordering | Enable/Disable PCI express device relaxed ordering. Options available: Disabled, Enabled. Default setting is Enabled . |

(Note1) This section is dependent on the available PCIe Slot.

(Note2) This section is dependent on the available OCP connector.

5-2-9 USB Configuration



| Parameter | Description |
|---|---|
| USB Configuration | |
| USB Module Version | Displays the USB module version information. |
| USB Controllers | Displays the supported USB controllers. |
| USB Devices: | Displays the USB devices connected to the system. |
| Legacy USB Support | Enable/Disable the Legacy USB support function. AUTO option disables legacy support if no USB devices are connected. DISABLE option will keep USB devices available only for EFI applications. Options available: Enabled, Disabled, Auto. Default setting is Enabled . |
| XHCI Hand-off | Enable/Disable the XHCI Hand-off support. Options available: Enabled, Disabled. Default setting is Enabled . |
| USB Mass Storage Driver Support ^(Note) | Enable/Disable the USB Mass Storage Driver Support. Options available: Disabled, Enabled. Default setting is Enabled . |
| USB hardware delays and time-outs | |
| USB transfer time-out | Selects the time-out value for USB Control/Bulk/Interrupt transfers. Options available: 1 sec, 5 sec, 10 sec, 20 sec. Default setting is 20 sec . |

(Note) This item is present only if you attach USB devices.

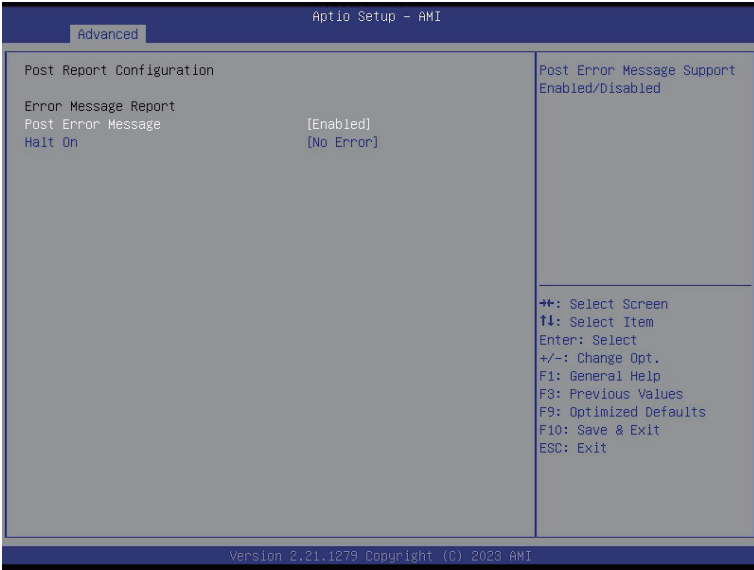
| Parameter | Description |
|-----------------------|--|
| Device reset time-out | Selects the time-out value during a USB mass storage device reset. Options available: 10 sec, 20 sec, 30 sec, 40 sec. Default setting is 20 sec . |
| Device power-up delay | Maximum time the device will take before it properly reports itself to the Host Controller. "Auto" uses default value: for a Root port it is 100 ms, for a Hub port the delay is taken from Hub descriptor. Options available: Auto, Manual. Default setting is Auto . |

5-2-10 Network Stack Configuration



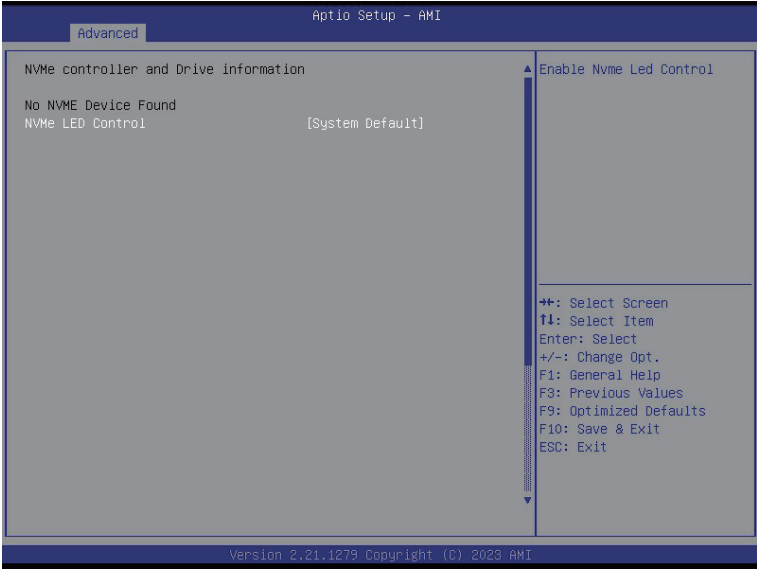
| Parameter | Description |
|--------------------|--|
| Network Stack | Enable/Disable the UEFI network stack. Options available: Enabled, Disabled. Default setting is Enabled . |
| Ipv4 PXE Support | Enable/Disable the Ipv4 PXE feature. Options available: Enabled, Disabled. Default setting is Enabled . |
| Ipv4 HTTP Support | Enable/Disable the Ipv4 HTTP feature. Options available: Enabled, Disabled. Default setting is Disabled . |
| Ipv6 PXE Support | Enable/Disable the Ipv6 PXE feature. Options available: Enabled, Disabled. Default setting is Enabled . |
| Ipv6 HTTP Support | Enable/Disable the Ipv6 HTTP feature. Options available: Enabled, Disabled. Default setting is Disabled . |
| PXE boot wait time | Wait time in seconds to press ESC key to abort the PXE boot. Press the <+> / <-> keys to increase or decrease the desired values. |
| Media detect count | Number of times the presence of media will be checked. Press the <+> / <-> keys to increase or decrease the desired values. |

5-2-11 Post Report Configuration



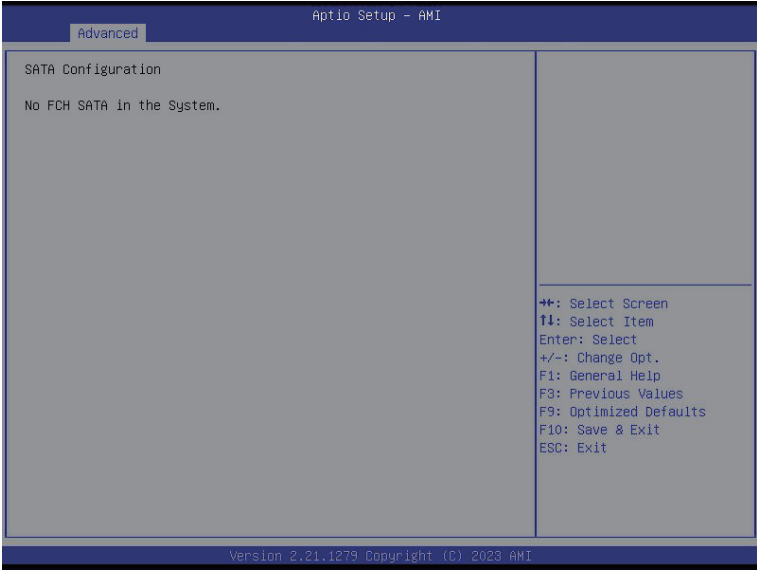
| Parameter | Description |
|---------------------------|---|
| Post Report Configuration | |
| Error Message Report | |
| Post Error Message | Enable/Disable the POST Error Message support. Options available: Enabled, Disabled. Default setting is Enabled . |
| Halt On | Options available: No Error, All Error. Default setting is No Error . |

5-2-12 NVMe Configuration



| Parameter | Description |
|--------------------|--|
| NVMe Configuration | Displays the NVMe devices connected to the system. |
| NVMe LED Control | Enable/Disable NVMe LED Control. Options available: System Default, Disabled, Enabled. Default setting is Enabled . |

5-2-13 SATA Configuration



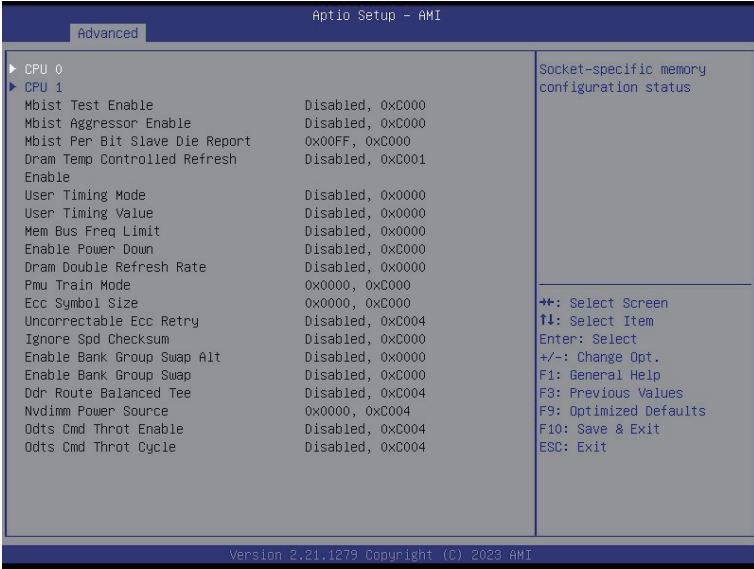
| Parameter | Description |
|--------------------|----------------------------|
| SATA Configuration | No FCH SATA in this system |

5-2-14 Graphic Output Configuration



| Parameter | Description |
|--------------------|---|
| Output Device Type | Selects output device type. Options available: First loaded Device, Onboard Device, External Device, Specific Device. Default setting is Onboard Device . |

5-2-15 AMD Mem Configuration Status



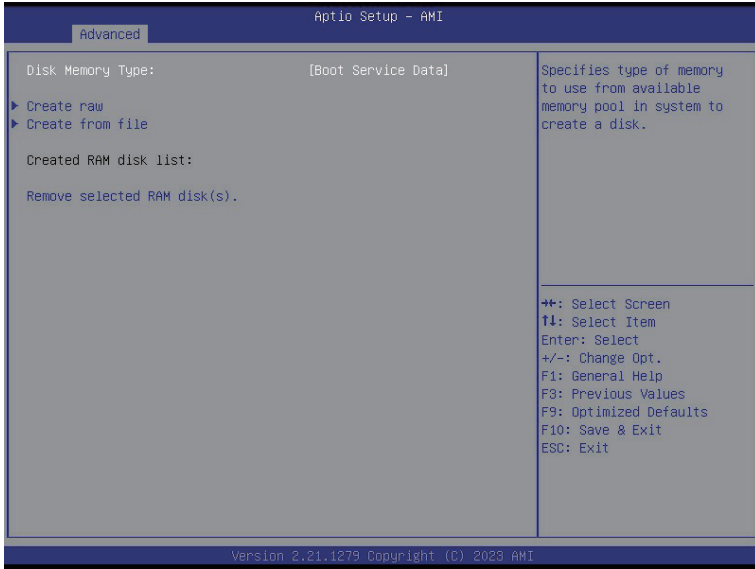
| Parameter | Description |
|-----------|---|
| CPU 0/1 | Press [Enter] to view the memory configuration status related to CPU 0/1. |

5-2-16 Tls Auth Configuration



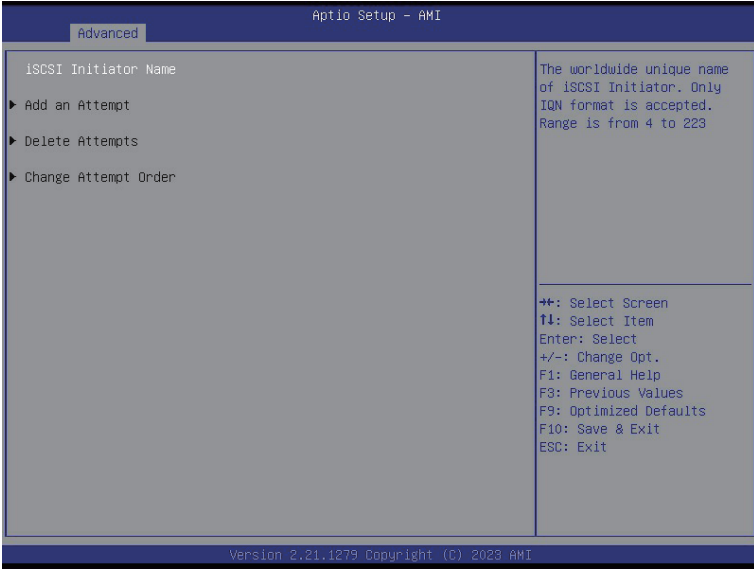
| Parameter | Description |
|---------------------------|---|
| Server CA Configuration | <p>Press [Enter] for configuration of advanced items.</p> <ul style="list-style-type: none"> ◆ Enroll Cert <ul style="list-style-type: none"> – Press [Enter] to enroll a certificate <ul style="list-style-type: none"> • Enroll Cert Using File • Cert GUID <p>Input digit character in 1111111-2222-3333-4444-1234567890ab format.</p> <ul style="list-style-type: none"> – Commit Changes and Exit – Discard Changes and Exit <ul style="list-style-type: none"> ◆ Delete Cert |
| Client Cert Configuration | Press [Enter] for configuration of advanced items. |

5-2-17 RAM Disk Configuration



| Parameter | Description |
|-----------------------------|--|
| Disk Memory Type | Specifies the type of memory to use from available memory pool in system to create a disk. Options available: Boot Service Data, Reserved. Default setting is Boot Service Data . |
| Create Raw | Creates a raw RAM disk. <ul style="list-style-type: none"> ◆ Size (Hex) <ul style="list-style-type: none"> – Input a valid RAM disk size that should be multiple of the RAM disk block size. ◆ Create & Exit ◆ Discard & Exit |
| Create from file | Creates a RAM disk from a given file. |
| Created RAM disk list | |
| Remove selected RAM disk(s) | Selects the RAM disk(s) to remove. |

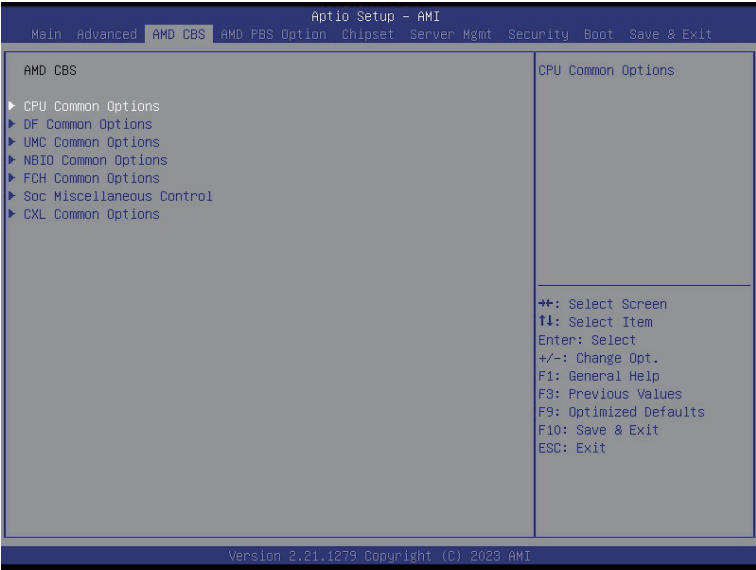
5-2-18 iSCSI Configuration



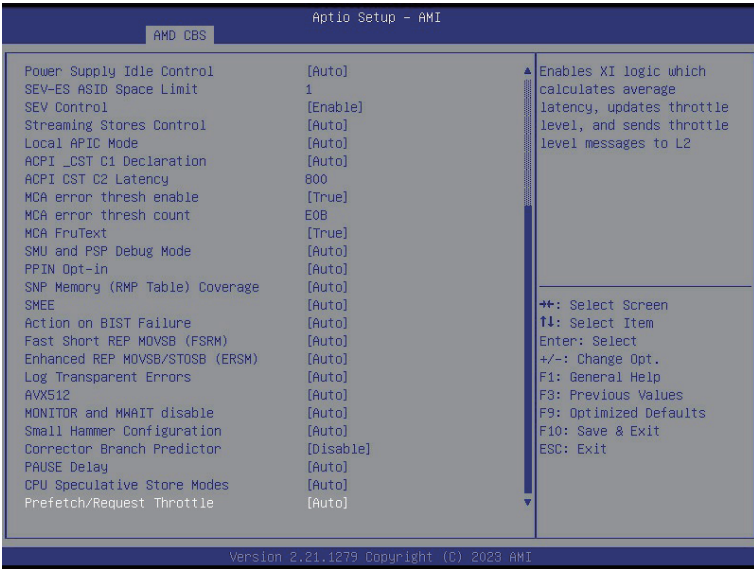
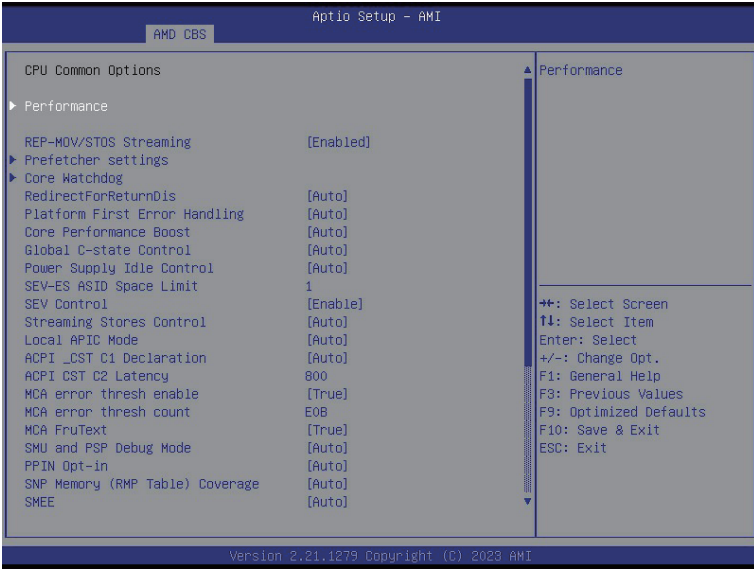
| Parameter | Description |
|----------------------|---|
| iSCSI Initiator Name | Press [Enter] and name iSCSI Initiator. Only IQN format is accepted. Range: from 4 to 223 |
| Add an Attempt | Press [Enter] to configure advanced items. |
| Delete Attempts | Press [Enter] to configure advanced items. |
| Change Attempt Order | Press [Enter] to configure advanced items. |

5-3 AMD CBS Menu

AMD CBS menu displays submenu options for configuring the CPU-related information that the BIOS automatically sets. Select a submenu item, then press [Enter] to access the related submenu screen.



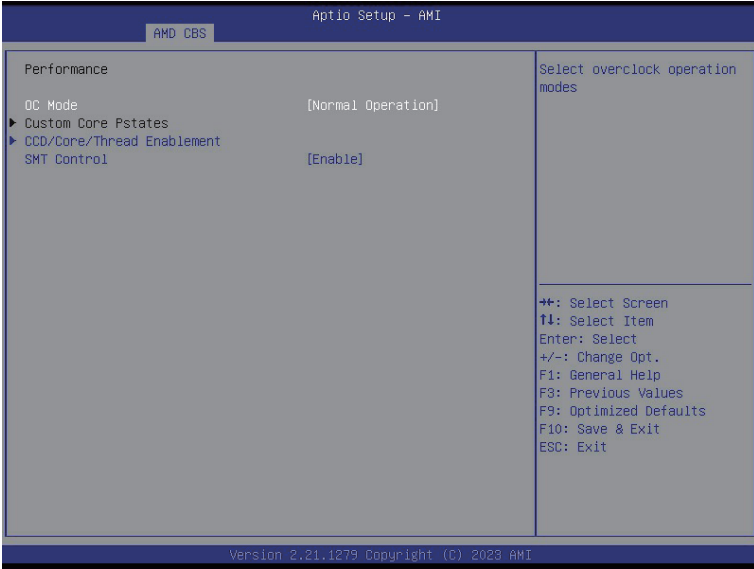
5-3-1 CPU Common Options



| Parameter | Description |
|-------------------------------|---|
| CPU Common Options | |
| Performance | Press [Enter] for configuration of advanced items. |
| REP-MOV/STOS Streaming | Allow REP-MOV/STOS to use non-caching streaming stores for large sizes. Options available: Disabled, Enabled. Default setting is Enabled . |
| Prefetcher settings | Press [Enter] for configuration of advanced items. |
| Core Watchdog | Press [Enter] for configuration of advanced items. |
| RedirectForReturnDis | From a workaround for GCC/C000005 issue for XV Core on CZ A0, setting MSRC001_1029 Decode Configuration (DE_CFG) bit 14 [DecfgNoRdrctForReturns] to 1. Options available: Auto, 1, 0. Default setting is Auto . |
| Platform First Error Handling | Enable/Disable PFEH, cloak individual banks, and mask deferred error interrupts from each bank. Options available: Enabled, Disabled, Auto. Default setting is Auto . |
| Core Performance Boost | Enable/Disable the Core Performance Boost function. Options available: Disabled, Auto. Default setting is Auto . |
| Global C-state Control | Controls the IO based C-state generation and DF C-states. Options available: Disabled, Enabled, Auto. Default setting is Auto . |
| Power Supply Idle Control | Configures the Power Supply Idle Control. Options available: Low Current Idle, Typical Current Idle, Auto. Default setting is Auto . |
| SEV-ES ASID Space Limit | Configures the Space limit for SEV-ES ASIDs. Default setting is 1 . |
| SEV Control | Enable/Disable SEV control. Options available: Enable, Disable. Default setting is Enable . |
| Streaming Stores Control | Enable/Disable the Streaming Stores functionality. Options available: Disabled, Enabled, Auto. Default setting is Auto . |
| Local APIC Mode | Sets the Local APIC Mode. Options available: Compatibility, xAPIC, x2APIC, Auto. Default setting is Auto . |
| ACPI_CST C1 Declaration | Determines whether or not to declare the C1 state to the OS. Options available: Disabled, Enabled, Auto. Default setting is Auto . |
| ACPI_CST C2 Latency | Enter in microseconds (decimal value). |
| MCA error thresh enable | Enable MCA error thresholding. Options available: False, True, Auto. Default setting is True . |
| MCA error thresh count | MCA error thresh count. |
| MCA FruText | Enable MCA FruText. Options available: False, True. Default setting is Auto . |
| SMU and PSP Debug Mode | When this option is enabled, specific uncorrected errors detected by the PSP FW or SMU FW will hand and not reset the system. Options available: Disabled, Enabled, Auto. Default setting is Auto . |
| PPIN Opt-in | Enable/Disable the PPIN feature. Options available: Disabled, Enabled, Auto. Default setting is Auto . |

| Parameter | Description |
|----------------------------------|--|
| SNP Memory (RMP Table) Coverage | Enabled: Enter system memory is covered. Options available: Disabled, Enabled, Custom, Auto. Default setting is Auto . |
| SMEE | Controls the Secure Memory Encryption Enable (SMEE) function. Options available: Disable, Enable, Auto. Default setting is Auto . |
| Action on BIST Failure | Action to take when a CCD BIST failure is detected. Options available: Do nothing, Down-CCD, Auto. Default setting is Auto . |
| Fast Short REP MOVSB | Effective error threshold count. |
| Enhanced REP MOVSB/STOSB (ERMSB) | Options available: Disabled, Enabled, Auto. Default setting is Auto . |
| Log Transparent Errors | Enable/Disable the log Transparent errors function. Options available: Auto, Disabled, Enabled. Default setting is Auto . |
| AVX512 | Enable/Disable AVX512. Options available: Disabled, Enabled, Auto. Default setting is Auto . |
| MONITOR and MWAIT disable | The MONITOR, MWAIT, MONITORX and MWAITX opcodes become invalid when enabled. Options available: Enabled, Disabled, Auto. Default setting is Auto |
| Small Hammer Configuration | Options available: Disabled, Enabled, Auto. Default setting is Auto . |
| Corrector Branch Predictor | Options available: Disable, Enable. Default setting is Disable . |
| PAUSE Delay | Number a cycles thread will be idle after a PAUSE instruction. Options available: Auto, Disable, 16 cycles, 32 cycles, 64 cycles, 128 cycles. Default setting is Auto . |
| CPU Speculative Store Modes | Select the CPU speculative store modes. Options available: Balanced, More Speculative, Less Speculative, Auto. Default setting is Auto . |
| Prefetch/Request Throttlee | Enable XI logic which calculates average latency, updates throttle level, and sends throttle level message to L2. Options available: Auto, Disable, Enable. Default setting is Auto . |

5-3-1-1 Performance



| Parameter | Description |
|----------------------------|---|
| Performance | |
| OC Mode ^(Notes) | Options available: Normal Operation, Customized. Default setting is Normal Operation . |
| Custom Core Pstates | Allows you to accept or decline enabling Custom Core Pstates. When accepted, you can disable or customize core pstates. |
| CCD/Core/Thread Enablement | Allows you to accept or decline enabling CCDs, processor cores and threads. When accepted, you can control the number of CCDs to be used, and the number of cores to be used. <ul style="list-style-type: none"> ◆ CCD Control <ul style="list-style-type: none"> – Options available: Auto, 2 CCDs, 4 CCDs, 6 CCDs, 8 CCDs, 10 CCDs. Default setting is Auto. ◆ Core Control <ul style="list-style-type: none"> – Options available: Auto, ONE(1+0), TWO(2+0), THREE(3+0), FOUR(4+0), FIVE(5+0), SIX(6+0), SEVEN(7+0). – Default setting is Auto. |
| SMT Control | Can be used to disable symmetric multithreading. To re-enable SMT, a POWER CYCLE is needed after select the 'Enable' option. Select 'Auto' base on BIOS PCD. (PcdAmdSmtMode) default setting. Options available: Disable, Enable, Auto. Default setting is Enable . |

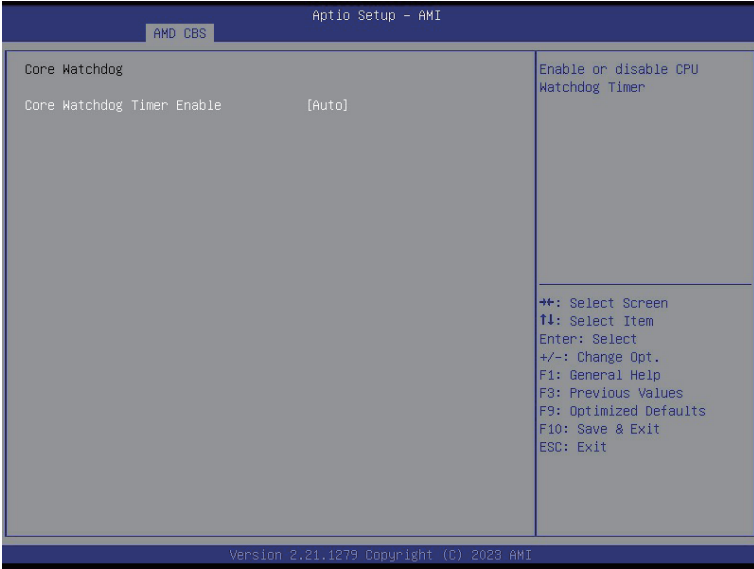
(Note) Advanced items are configurable when this item is defined.

5-3-1-2 Prefetcher Settings



| Parameter | Description |
|-------------------------|---|
| Prefetcher settings | |
| L1 Stream HW Prefetcher | Enable/Disable L1 Stream HW Prefetcher. Options available: Disable, Enable, Auto. Default setting is Auto . |
| L1 Stride Prefetcher | Use memory access history of individual instructions to fetch additional lines when each access is a constant distance from the previous. Enable/Disable L1 Stride Prefetcher. Options available: Disable, Enable, Auto. Default setting is Auto . |
| L1 Region Prefetcher | Use memory access history to fetch additional lines when the data access for a given instruction tends to be followed by other data accesses. Enable/Disable L1 Region Prefetcher. Options available: Disable, Enable, Auto. Default setting is Auto . |
| L2 Stream HW Prefetcher | Enable/Disable L2 Stream HW Prefetcher. Options available: Disable, Enable, Auto. Default setting is Auto . |
| L2 Up/Down Prefetcher | Use memory access history to determine whether to fetch the next or previous line for all memory accesses. Enable/Disable L2 Up/Down Prefetcher. Options available: Disable, Enable, Auto. Default setting is Auto . |
| L1 Burst Prefetch Mode | Enable/Disable L1 Burst Prefetch Mode. Options available: Disable, Enable, Auto. Default setting is Auto . |

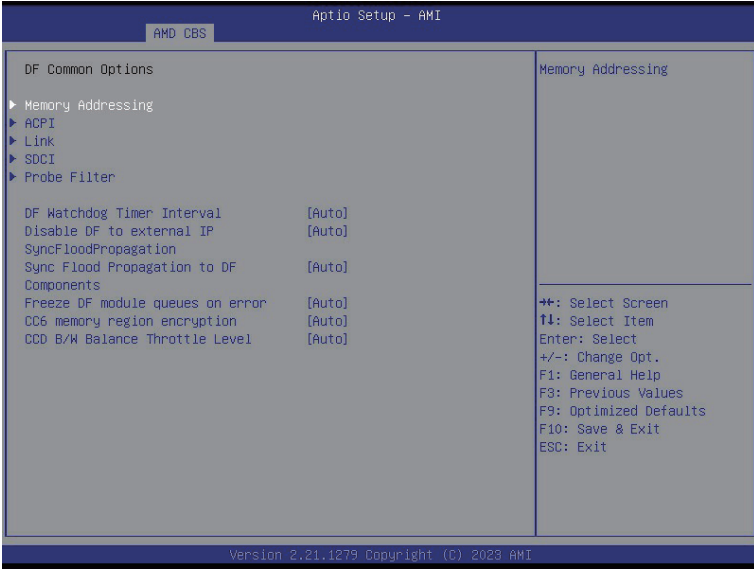
5-3-1-3 Core Watchdog



| Parameter | Description |
|--|--|
| Core Watchdog | |
| Core Watchdog Timer Enable ^(Note) | Enable/Disable CPU Watchdog Timer. Options available: Disabled, Enabled, Auto. Default setting is Auto . Select the CPU Watchdog Timer interval. |
| Core Watchdog Timer Interval | Options available: 2.681s, 1.340s, 669.41ms, 334.05ms, 166.37ms, 82.53ms, 40.61ms, 20.970ms, 10.484ms, 5.241ms, 2.620ms, 1.309ms, 654.08us, 326.4us, 162.56us, 80.64us, 39.68us, Auto. Default setting is Auto . |
| Core Watchdog Timer Severity | Specific the CPU watch dog time severity. Options available: No Error, Transparent, Deferred, Uncorrected, Fatal, Auto. Default setting is Auto . |

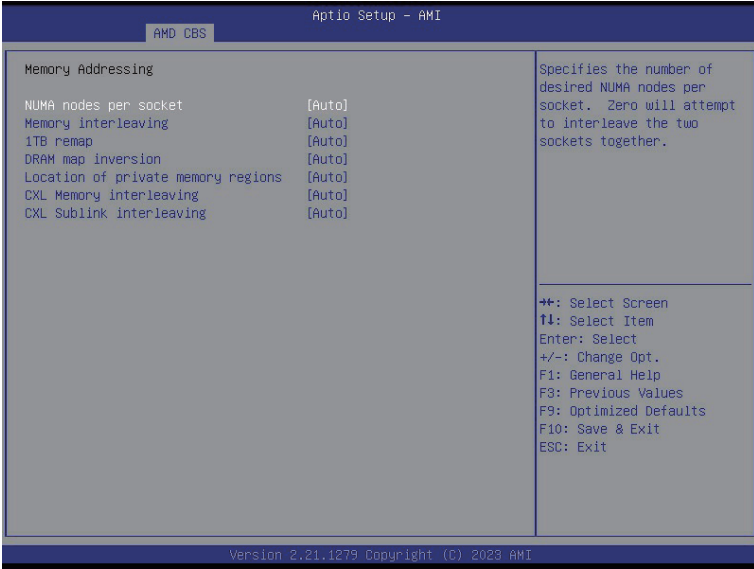
(Note) Advanced items prompt when this item is defined.

5-3-2 DF Common Options



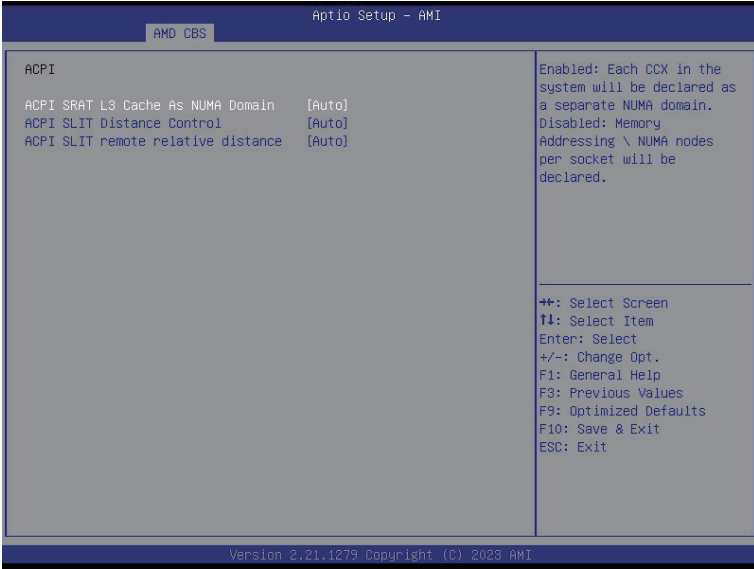
| Parameter | Description |
|--|---|
| DF Common Options | |
| Memory Addressing | Press [Enter] for configuration of advanced items. |
| ACPI | Press [Enter] for configuration of advanced items. |
| Link | Press [Enter] for configuration of advanced items. |
| SDCI | Press [Enter] for configuration of advanced items. |
| Probe Filter | Press [Enter] for configuration of advanced items. |
| DF Watchdog Timer Interval | Configures the Data Fabric watchdog timer interval. Options available: Auto, 41ms, 166ms, 334ms, 669ms, 1.34 seconds, 2.68 seconds, 5.36 seconds. Default setting is Auto . |
| Disable DF to external IP sync flood propagation | Enable/Disable SyncFlood to UMC & downstream slaves. Options available: Sync flood disabled, Sync flood enabled, Auto. Default setting is Auto . |
| Sync FloodPropagation to DF Components | Enable/Disable DF Sync Flood propagation. Options available: Sync flood disabled, Sync flood enabled, Auto. Default setting is Auto . |
| Freeze DF module queues on error | Options available: Disabled, Enabled, Auto. Default setting is Auto . |
| CC6 memory region encryption | Controls whether or not the CC6 save/restor memory is encrypted. Options available: Disabled, Enabled, Auto. Default setting is Auto . |
| CCD B/W Balance Throttle Level | Options available: Auto, Level 0, Level 1, Level 2, Level 3, Level 4. Default setting is Auto . |

5-3-2-1 Memory Addressing



| Parameter | Description |
|------------------------------------|--|
| Memory Addressing | |
| NUMA nodes per socket | Specifies the number of desired NUMA nodes per socket. Options available: NPS0,NPS1,NPS2,NPS4, Auto. Default setting is Auto . NOTE! <ul style="list-style-type: none"> • Available options may vary by system configuration. • Only dual processor configuration supports NPS0. |
| Memory interleaving | Enable/Disable the Memory interleaving feature. Options available: Disabled, Auto, Enabled. Default setting is Auto . |
| 1TB remap | Enable/Disable to remap DRAM out of the space just below the 1TB boundary. The ability to remap depends on DRAM configuration, NPS, and interleaving selection, and may not always be possible. Options available: Do not remap, Attempt to remap, Auto. Default setting is Auto . |
| DRAM map inversion | Enable/Disable the DRAM map inversion function. Options available: Disabled, Enabled, Auto. Default setting is Auto . |
| Location of private memory regions | Controls whether or not the private memory regions (PSP, SMU and CC6) are at the top of DRAM or distributed. Options available: Distributed, Consolidated, Auto. Default setting is Auto . |
| CXL Memory interleaving | Allows for enabling/disabling CXL memory devices interleaving. Options available: Disabled, Enabled, Auto. Default setting is Auto . |
| CXL Sublink interleaving | Enable or disable CXL sublink interleaving. Options available: Enable, Disable, Auto. Default setting is Auto . |

5-3-2-2 ACPI



| Parameter | Description |
|------------------------------------|--|
| ACPI | |
| ACPI SRAT L3 Cache As NUMA Domain | Enable/Disable report each L3 cache as a NUMA Domain to the OS. Options available: Disabled, Enabled, Auto. Default setting is Auto . |
| ACPI SLIT Distance Control | Determines how the SLIT distances are declared. Options available: Manual, Auto. Default setting is Auto . |
| ACPI SLIT remote relative distance | Sets the remote socket distance for 2P systems as near (2.8) or far (3.2). Options available: Near, Far, Auto. Default setting is Auto . |

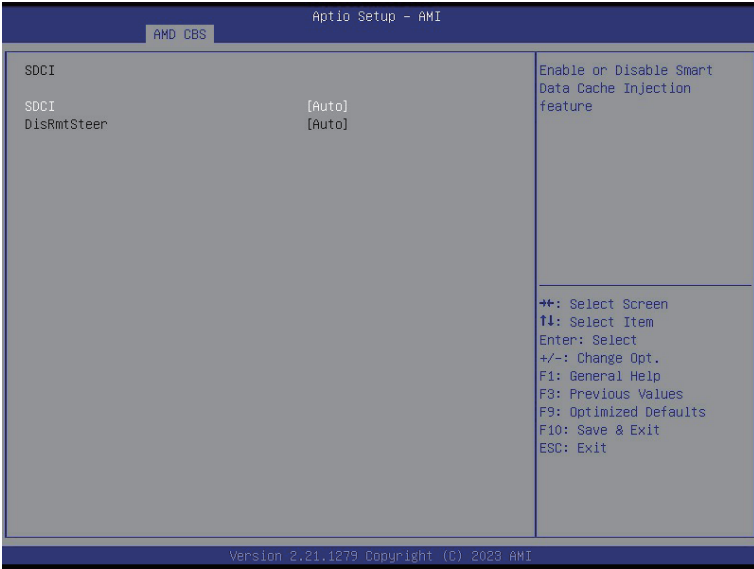
5-3-2-3 Link



| Parameter | Description |
|-------------------------|---|
| GMI encryption control | Enable/Disable GMI link encryption. Options available: Disabled, Enabled, Auto. Default setting is Auto . |
| xGMI encryption control | Enable/Disable xGMI link encryption. Options available: Disabled, Enabled, Auto. Default setting is Auto . |
| xGMI Link Configuration | Configures the number of xGMI2 links used on a multi-socket system. Options available: Auto, 3 xGMI Links, 4 xGMI Links. Default setting is Auto . |
| 4-link xGMI max speed | Specifies the max speed of 4-link xGMI. Options available: 12Gbps, 16Gbps, 17Gbps, 18Gbps, 20Gbps, 22Gbps, 23Gbps, 24Gbps, 25Gbps, 26Gbps, 27Gbps, 30Gbps, 32Gbps, Auto. Default setting is Auto . |
| 3-link xGMI max speed | Specifies the max speed of 3-link xGMI. Options available: 12Gbps, 16Gbps, 17Gbps, 18Gbps, 20Gbps, 22Gbps, 23Gbps, 24Gbps, 25Gbps, 26Gbps, 27Gbps, 30Gbps, 32Gbps, Auto. Default setting is Auto . |
| xGMI 18GACOFC | Configures xGMI 18GACOFC. Options available: Auto, Enable, Disable. Default setting is Auto . |
| xGMI CRC Scale | Configures leaky bucket scale for xGMI and WAFL CRC errors. Every scale milliseconds an error will leak from the CRC counter. Default setting is 7 . |
| xGMI CRC Threshold | Configures leaky bucket threshold for xGMI and WAFL CRC errors. If link CRC counter exceeds this threshold, an error will be logged. Default setting is 25 . |
| xGMI Preset Control | Enable/Disable xGMI Preset control. Options available: Disabled, Enabled, Auto. Default setting is Auto . |

| Parameter | Description |
|-------------------------|---|
| xGMI Global Preset List | Press [Enter] to configure the xGMI Preset list. |
| xGMI Initial Preset | Press [Enter] to configure the xGMI Initial Preset CPU0/1 link. |
| xGMI TXEQ Search Mask | Press [Enter] to configure the xGMI TXEQ Search Mask CPU0/1 link. |
| xGMI AC/DC Coupled Link | Press [Enter] to configure the xGMI AC/DC Coupled link. ♦ xGMI AC/DC Coupled Link Control ^(Note) – Options available: Manual, Auto. Default setting is Auto . |
| xGMI Channel Type | Press [Enter] to configure the xGMI Channel Type. ♦ xGMI Channel Type Control ^(Note) – Options available: Manual, Auto. Default setting is Auto . |

5-3-2-4 SDCI



| Parameter | Description |
|------------------------|--|
| SDCI ^(Note) | Options available: Disabled, Enabled, Auto. Default setting is Auto . |
| DisRmSteer | Options available: Disabled, Enabled, Auto. Default setting is Auto . |

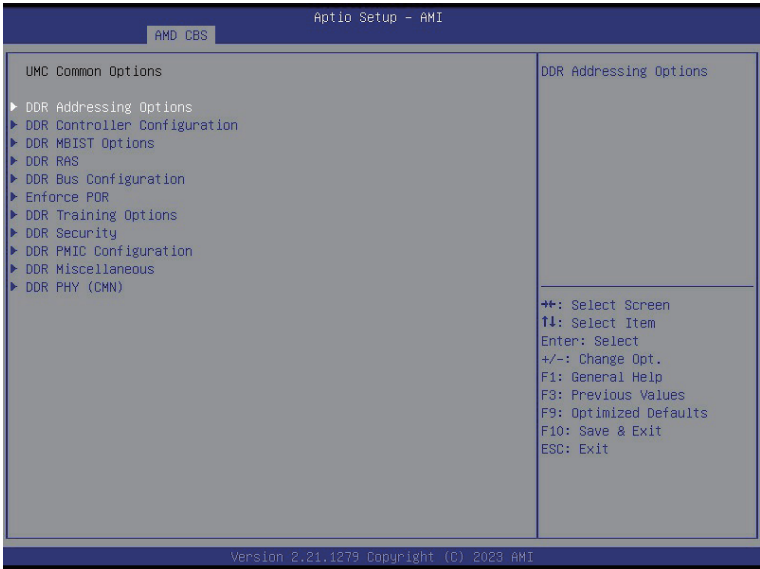
(Note) Advanced items prompt when this item is defined.

5-3-2-5 Probe Filter



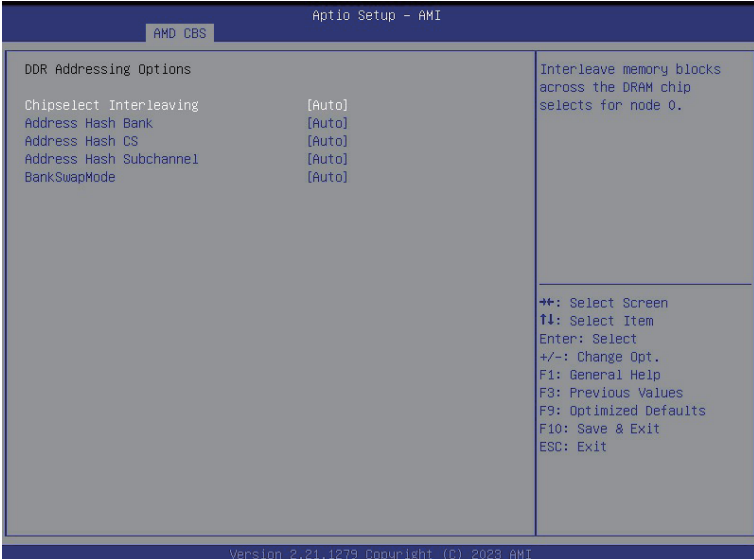
| Parameter | Description |
|---------------------------------------|---|
| Organization | Specifies whether multiple memory/CXL channels will share probe filter storage. For memory sizes of 16TB or larger, this features is ignored as it is auto-selected to 'shared'. Options available: Disabled, Shared, Auto. Default setting is Auto . |
| Periodic Directory Rines (PDR) Tuning | Controls PDR settings that may impact performance by workload and/or processor. Options available: Memory-Sensitive, Cache-Bound, Neutral, Adaptive, Auto. Default setting is Auto . |

5-3-3 UMC Common Options



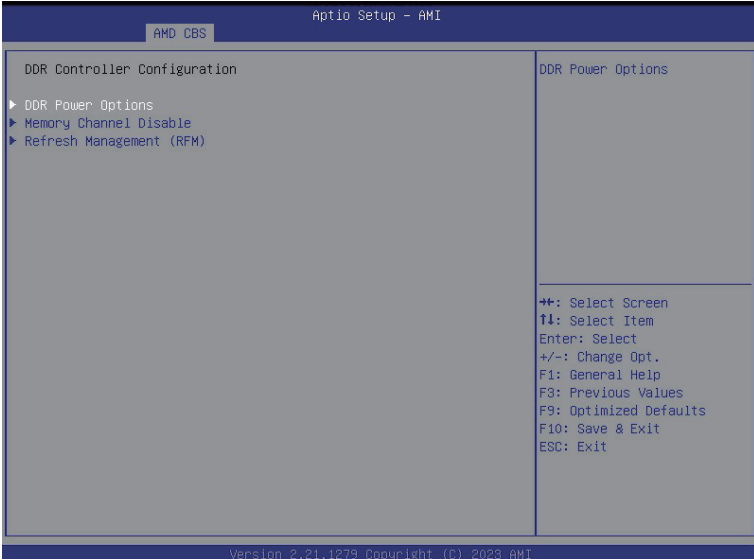
| Parameter | Description |
|------------------------------|--|
| UMC Common Options | |
| DDR Addressing Options | Press [Enter] for configuration of advanced items. |
| DDR Controller Configuration | Press [Enter] for configuration of advanced items. |
| DDR MBIST Options | Press [Enter] for configuration of advanced items. |
| DDR RAS | Press [Enter] for configuration of advanced items. |
| DDR Bus Configuration | Press [Enter] for configuration of advanced items. |
| Enforce POR | Press [Enter] for configuration of advanced items. |
| DDR Training Options | Press [Enter] for configuration of advanced items. |
| DDR Security | Press [Enter] for configuration of advanced items. |
| DDR PMIC Configuration | Press [Enter] for configuration of advanced items. |
| DDR Miscellaneous | Press [Enter] for configuration of advanced items. |
| DDR PHY (CMN) | Press [Enter] for configuration of advanced items. |

5-3-3-1 DDR Addressing Options



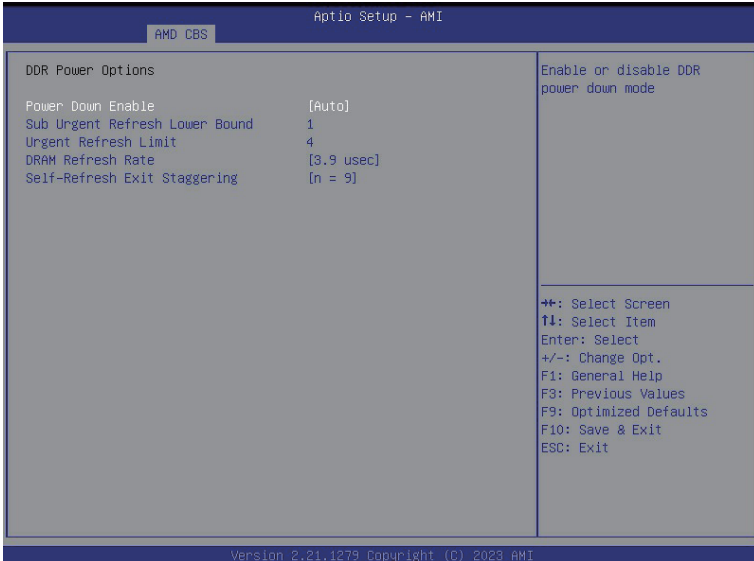
| Parameter | Description |
|-------------------------|---|
| DDR Addressing Options | |
| Chipselect Interleaving | Interleaves memory blocks across the DRAM chip selects for node 0. Options available: Disabled, Auto. Default setting is Auto . |
| Address Hash Bank | Enable or disable bank addressing hashing. Options available: Enabled, Disabled, Auto. Default setting is Auto . |
| Address Hash CS | Enable or disable CS addressing hashing. Options available: Enabled, Disabled, Auto. Default setting is Auto . |
| Address Hash Rm | Enable or disable RM addressing hashing. Options available: Enabled, Disabled, Auto. Default setting is Auto . |
| Address Hash Subchannel | Enable or disable sub-channel addressing hashing. Options available: Enabled, Disabled, Auto. Default setting is Auto . |
| Bank SwapMode | Options available: Auto, Disabled, Swap CPU. Default setting is Auto . |

5-3-3-2 DDR Controller Configuration



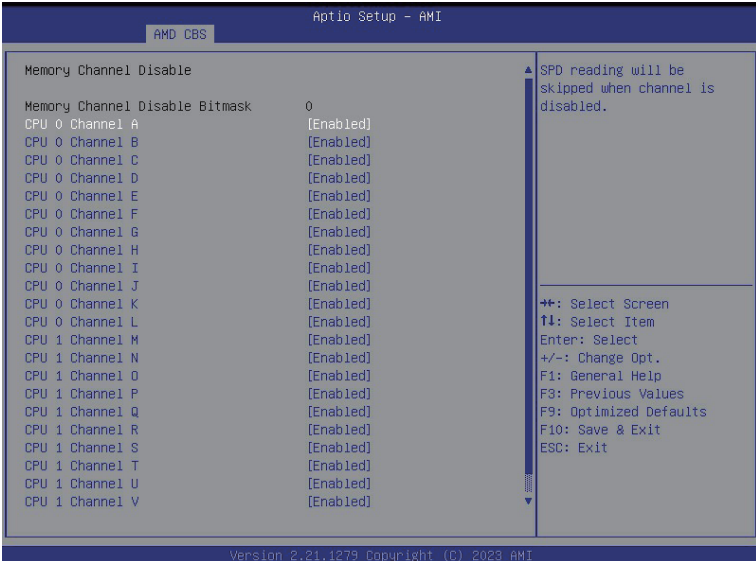
| Parameter | Description |
|-----------------------------|--|
| DDR Cotroller Configuration | |
| DDR Power Options | Press [Enter] for configuration of advanced items. |
| Memory Channel Diable | Press [Enter] for configuration of advanced items. |
| Refresh Management (RFM) | Press [Enter] for configuration of advanced items. |

5-3-3-2-1 DDR Power Options



| Parameter | Description |
|--------------------------------|--|
| DDR Power Options | |
| Power Down Enable | Enable or disable DDR power down mode. Options available: Enabled, Disabled, Auto. Default setting is Auto . |
| Sub Urgent Refresh Lower Bound | Specifies the stored refresh limit required to enter sub-urgent refresh mode. |
| Urgent Refresh Limit | Specifies the stored refresh limit required to enter urgent refresh mode. |
| DRAM Refresh Rate | DRAM refresh rate: 1.95us or 3.9us. Options available: 1.95usec 3.9 usec. Default setting is 3.9 usec . |
| Self-Refresh Exit Staggering | Options available: n=1~9. Default setting is n=9 . |

5-3-3-2-2 Memory Channel Disable



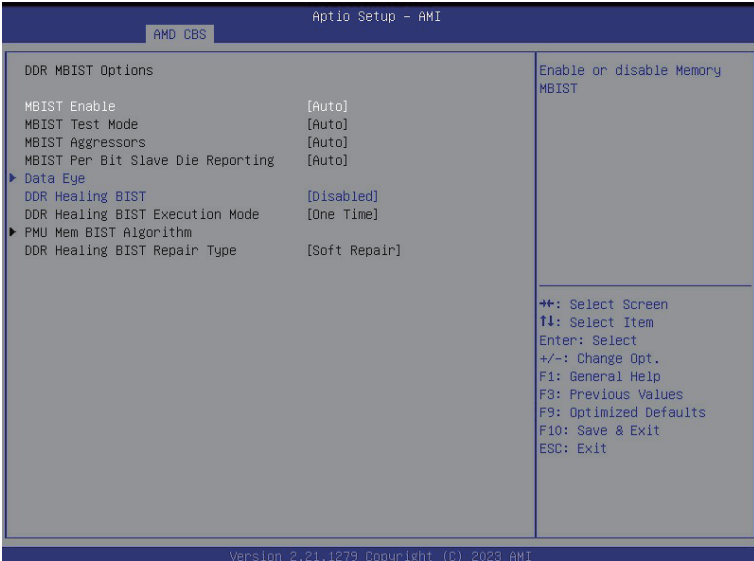
| Parameter | Description |
|--------------------------------|--|
| Memory Channel Disable | |
| Memory Channel Disable Bitmask | |
| CPU0/1 Channel_# | Press [Enter] to enable/disable specific memory channel. |

5-3-3-2-3 Refresh Management (RFM)



| Parameter | Description |
|----------------------------------|---|
| Refresh Management (RFM) | |
| Refresh Management | Configure Refresh Management. Options available: Enable, Disable, Auto, Force Enable. Default setting is Auto . |
| RAA Initial Management Threshold | Override Rolling Accumulated ACT Initial Management Threshold. Options available: 32, 40, 48, 56, 64, 72, 80, Auto. Default setting is Auto . |
| RAA Maximum Management Threshold | Override Rolling Accumulated ACT Maximum Management Threshold. Options available: 3X, 4X, 5X, 6X, Auto. Default setting is Auto . |
| RAA Refresh Decrement Multiplier | Override RAA Refresh Decrement Multiplier. Options available: 0.5, 1, Auto. Default setting is Auto . |

5-3-3-3 DDR MBIST Options



| Parameter | Description |
|--|--|
| DDR MBIST Options | |
| MBIST Enable | Enable/Disable the Memory MBIST function. Options available: Enabled/Disabled. Default setting is Disabled . |
| MBIST Test Mode ^(Note1) | Selects MBIST Test Mode. Interface Mode: Tests Single and Multiple CS transactions and Basic Connectivity. Data Eye Mode: Measures Voltage vs. Timing. Options available: Auto, Both, Interface Mode, Data Eye Mode. Default setting is Auto . |
| MBIST Aggressors ^(Note1) | Enable/Disable MBIST Aggressor test. Options available: Auto, Enabled, Disabled. Default setting is Auto . |
| MBIST Per Bit Slave Die Reporting ^(Note1) | Enable/Disable to report 2D data eye results in ABL log for each DQ, Chipselect, and Channel. Options available: Auto, Enabled, Disabled. Default setting is Auto . |
| Data Eye | Press [Enter] to configure advanced items. |
| Memory Healing BIST | Enable/Disable memory healing BIST. Options available: Disabled, PMU Mem BIST, Self-Healing Mem BIST, PMU, and Self-Healing Mem BIST. Default setting is Disabled . |
| DDR Healing BIST Execution Mode ^(Note2) | Options available: One Time, Every boot. Default setting is One Time . |

| Parameter | Description |
|-------------------------------------|--|
| PMU Mem BIST Algorithm | For DRAM errors found in the BIOS memory BIST select the repair type. |
| DDR Healing BIST ^(Note2) | Options available: Soft, Repair, Hard Repair, No Repairs -Test only.. Default setting is Soft Repair . |

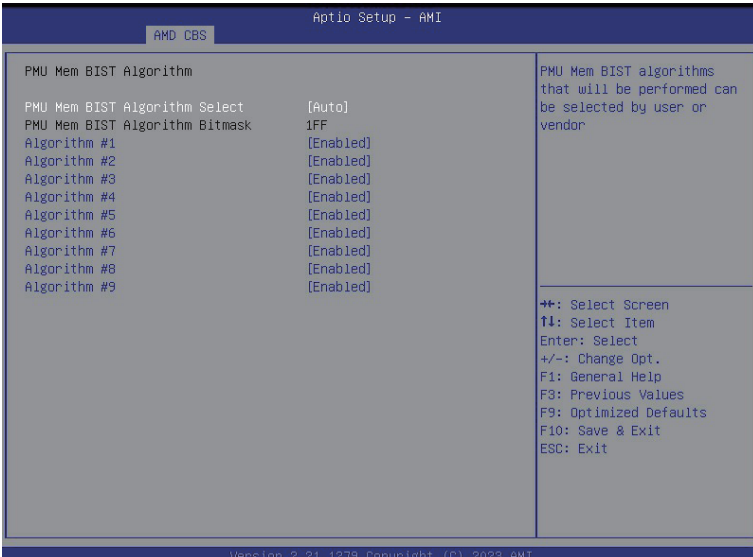
5-3-3-3-1 Data Eye



| Parameter | Description |
|--|--|
| Data Eye | |
| Pattern Select | Options available: PRBS, SSO, Both. Default setting is PRBS . |
| Pattern Length | Determines the pattern length. The possible options are N=3....12. |
| Aggressor Channel | This item helps read the aggressors channels. Options available: Disabled, 1 Aggressor Channel, 3 Aggressor Channels, 7 Aggressor Channels. Default setting is 1 Aggressor Channel . |
| Aggressor Static Lane Control | Enable/Disable the Aggressor Static Lane Control function. Options available: Enabled/Disabled. Default setting is Disabled . |
| Aggressor Static Lane Select Upper 32 bits | This item is configurable when Aggressor Static Lane Control is set to Enabled . |
| Aggressor Static Lane Select Lower 32 bits | This item is configurable when Aggressor Static Lane Control is set to Enabled . |
| Aggressor Static Lane Select ECC | This item is configurable when Aggressor Static Lane Control is set to Enabled . |
| Aggressor Static Lane Value | This item is configurable when Aggressor Static Lane Control is set to Enabled . |
| Target Static Lane Control | Enable/Disable the Target Static Lane Control function. Options available: Enabled/Disabled. Default setting is Disabled . |

| Parameter | Description |
|---|--|
| Target Static Lane Select Upper 32 bits | This item is configurable when Target Static Lane Control is set to Enabled . |
| Target Static Lane Select Lower 32 bits | This item is configurable when Target Static Lane Control is set to Enabled . |
| Target Static Lane Select ECC | This item is configurable when Target Static Lane Control is set to Enabled . |
| Target Static Lane Value | This item is configurable when Target Static Lane Control is set to Enabled . |
| Worst Case Margin Granularity | Configures Worst Case Margin Granularity. Options available: Per Chip Select, Per Nibble. Default setting is Worst Case Margin Only . |
| Read Voltage Sweep Step Size | Configures the step size for read Data Eye voltage sweep. Options available: 1, 2, 4. Default setting is 2 . |
| Read Timing Sweep Step Size | Configures the step size for read Data Eye timing sweep. Options available: 1, 2, 4. Default setting is 1 . |
| Write Voltage Sweep Step Size | Configures the step size for write Data Eye voltage sweep. Options available: 1, 2, 4. Default setting is 2 . |
| Write Timing Sweep Step Size | Configures the step size for write Data Eye timing sweep. Options available: 1, 2, 4. Default setting is 1 . |
| Silent Execution | Enable Mbist Target Static Lane Control. Options available: Enabled, Disabled. Default setting is Disabled . |

5-3-3-4 DDR RAS

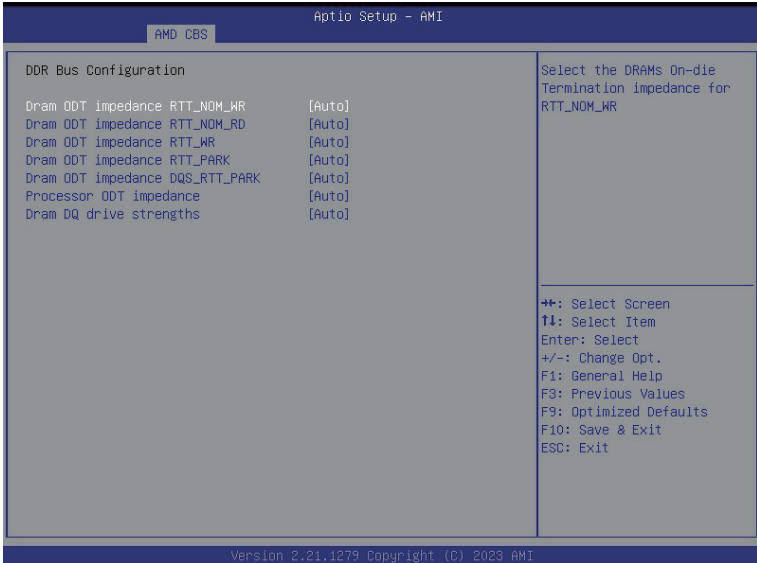


| Parameter | Description |
|----------------------------------|---|
| DDR RAS | |
| Data Poisoning | Enable/Disable the Data Poisoning function. Options available: Auto, Enabled, Disabled. Default setting is Auto . |
| DRAM Boot Time Package Repair | Enable/Disable the DRAM Boot Package Repair function. Options available: Enable/Disable. Default setting is Disable . |
| DRAM Runtime Post Package Repair | Enable/Disable the DRAM Runtime Post Package Repair function. Options available: Enable/Disable. Default setting is Disable . |
| RCD Parity | Enable/Disable the RCD Parity function. Options available: Auto, Enabled, Disabled. Default setting is Enabled . |
| Max RCD Parity Error Replay | Default setting is 8 . |
| Disable Memory Error Injection | Options available: False/True, Auto. Default setting is Auto . |

| Parameter | Description |
|-------------------|--|
| ECC Configuration | <p>Press [Enter] to configure advanced items.</p> <ul style="list-style-type: none"> ◆ DRAM ECC Symbol Size <ul style="list-style-type: none"> – Configures the DRAM ECC Symbol Size. – Options available: Auto, x4, x8, x16. Default setting is Auto. ◆ DRAM ECC Enable <ul style="list-style-type: none"> – Enable/Disable DRAM ECC. When set to Auto, it will set ECC to enable. – Options available: Auto, Enabled, Disabled. Default setting is Auto. ◆ DRAM UECC Retry <ul style="list-style-type: none"> – Enable/Disable DRAM UECC Retry. – Options available: Auto, Enabled, Disabled. Default setting is Disabled. ◆ Max DRAM UECC Error Replay <ul style="list-style-type: none"> – Default setting is 8. ◆ Memory Clear <ul style="list-style-type: none"> – Options available: Auto, Enabled, Disabled. Default setting is Auto. ◆ Address XDR after ECC <ul style="list-style-type: none"> – Options available: Auto, Enabled, Disabled. Default setting is Disabled. |

| | |
|---|---|
| DRAM Scrubbers | <p>Press [Enter] to configure advanced items.</p> <ul style="list-style-type: none"> ◆ DRAM ECS Mode <ul style="list-style-type: none"> – Options available: Auto, AutoECS, Manual1EECS, DisableECS. Default setting is Auto. ◆ DRAM Redirect Scrubber Enable <ul style="list-style-type: none"> – Options available: Auto, Enabled, Disabled. Default setting is Auto. ◆ DRAM Scrub Redirection Limit <ul style="list-style-type: none"> – Options available: Auto, 8 Scrubs, 4 Scrubs, 2 Scrubs, 1 Scrub. Default setting is Auto. ◆ DRAM Scrub Time <ul style="list-style-type: none"> – Options available: Auto, 1 hour, 4 hours, 6 hours, 8 hours, 12 hours, 16 hours, 24 hours, 48 hours. Default setting is 24 Hours. ◆ DRAM Error Threshold Count <ul style="list-style-type: none"> – Options available: Auto, ETC_4, ETC_16, ETC_64, ETC_256, ETC_1024, ETC_4096. Default setting is Auto. ◆ DRAM ECS Count Mode <ul style="list-style-type: none"> – Options available: Auto, Row Count Mode, Code Word Count Mode. Default setting is Auto. ◆ DRAM AutoEcs during Self Refresh <ul style="list-style-type: none"> – Options available: Auto, AutoEcs Disabled, AutoEcs Enabled. Default setting is Auto. ◆ DRAM ECS WriteBack Suppression <ul style="list-style-type: none"> – Options available: Auto, Enable, Disable. Default setting is Auto. ◆ DRAM X4 WriteBack Suppression <ul style="list-style-type: none"> – Options available: Auto, Enable, Disable. Default setting is Auto. |
| DRAM Corrected Error Counter Enabled | <p>Configure DRAM Corrected Error Counter function. Options available: Disable, NoLeakMode, Leak Mode, Auto. Default setting is Leak Mode.</p> |
| DRAM Corrected Error Counter Interrupt Enable | <p>Enable SMI when DRAM corrected Error Counter count exceeds the threshold value. Options available: Disable, NoLeakMode, Leak Mode, Auto. Default setting is Leak Mode.</p> |
| DRAM Corrected Counter Leak Rate | <p>Program Rate value for DRAM Corrected Error Counter function. Default setting is 7.</p> |
| DRAM Corrected Error Counter Start Count | <p>Program starting value for DRAM Corrected Error Counter function. Default setting is FFF5.</p> |

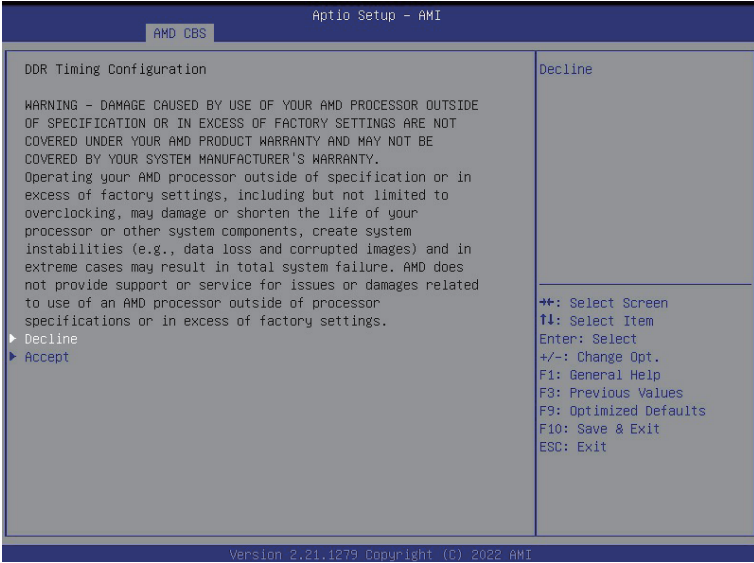
5-3-3-5 DDR Bus Configuration



| Parameter | Description |
|---------------------------------|---|
| DDR Bus Configuration | |
| Dram ODT impedance RTT_NOM_WR | Select the DRAMs On-die Termination impedance for RTT_NOM_WR. Options available: Auto, RTT_OFF, RZQ (240), RZQ/2 (120), RZQ/3 (80), RZQ/4 (60), RZQ5/(40), RZQ6/(20), RZQ7/(34). Default setting is Auto . |
| Dram ODT impedance RTT_NOM_RD | Select the DRAMs On-die Termination impedance for RTT_NOM_RD. Options available: Auto, RTT_OFF, RZQ (240), RZQ/2 (120), RZQ/3 (80), RZQ/4 (60), RZQ5/(40), RZQ6/(20), RZQ7/(34). Default setting is Auto . |
| Dram ODT impedance RTT_WR | Select the DRAMs On-die Termination impedance for RTT_WR. Options available: Auto, RTT_OFF, RZQ (240), RZQ/2 (120), RZQ/3 (80), RZQ/4 (60), RZQ5/(40), RZQ6/(20), RZQ7/(34). Default setting is Auto . |
| Dram OD Timpedance RTT_PARK | Select the DRAMs On-die Termination impedance for RTT_PARK. Options available: Auto, RTT_OFF, RZQ (240), RZQ/2 (120), RZQ/3 (80), RZQ/4 (60), RZQ5/(40), RZQ6/(20), RZQ7/(34). Default setting is Auto . |
| Dram OD Timpedance DQS_RTT_PARK | Select the DRAMs On-die Termination impedance for DQS_RTT_PARK. Options available: Auto, RTT_OFF, RZQ (240), RZQ/2 (120), RZQ/3 (80), RZQ/4 (60), RZQ5/(40), RZQ6/(20), RZQ7/(34). Default setting is Auto . |

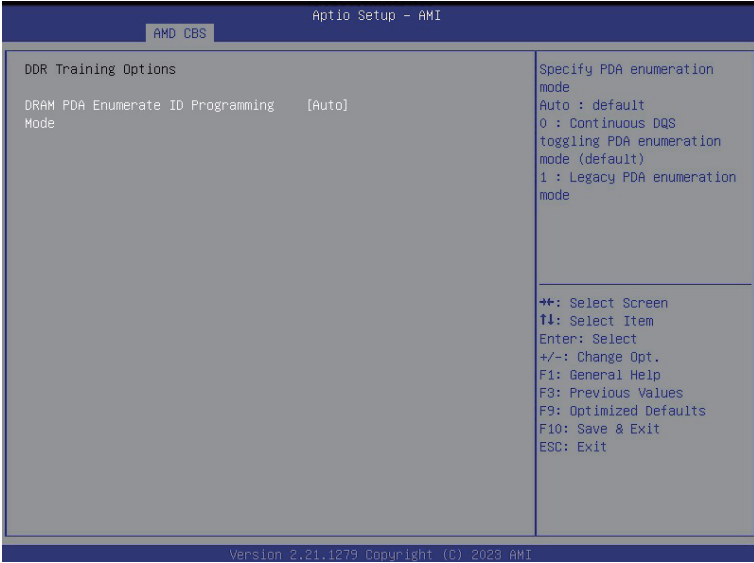
| Parameter | Description |
|-------------------------|--|
| Processor ODT impedance | Select the ODT impedance for all DBYTE IOs. Options available: Auto, High Impedance, 480 ohm, 240 ohm, 160 ohm, 120 ohm, 96 ohm, 80 ohm, 68.6 ohm, 60 ohm, 53.3 ohm, 48 ohm, 43.6 ohm, 40 ohm, 36.9 ohm, 34.3 ohm, 32 ohm, 30 ohm, 28.2 ohm, 26.7 ohm, 25.3 ohm. Default setting is Auto . |
| Dram DQ drive strengths | Select the Dram Pull-up and Pull-Down Output Driver Impedance for all DQ and DMI IOs.. Options available: Auto, 48 ohm, 40 ohm, 34 ohm, Default setting is Auto . |

5-3-3-6 Enforce POR



| Parameter | Description |
|----------------------|--|
| DDR Training Options | |
| Enforce POR | Press [Enter] to configure the Plan of Record (POR) to enable / disable restrictions for DDR5 frequency and voltage programming. Memory speeds will be capped at AMD guidelines. |

5-3-3-7 DDR Training Options



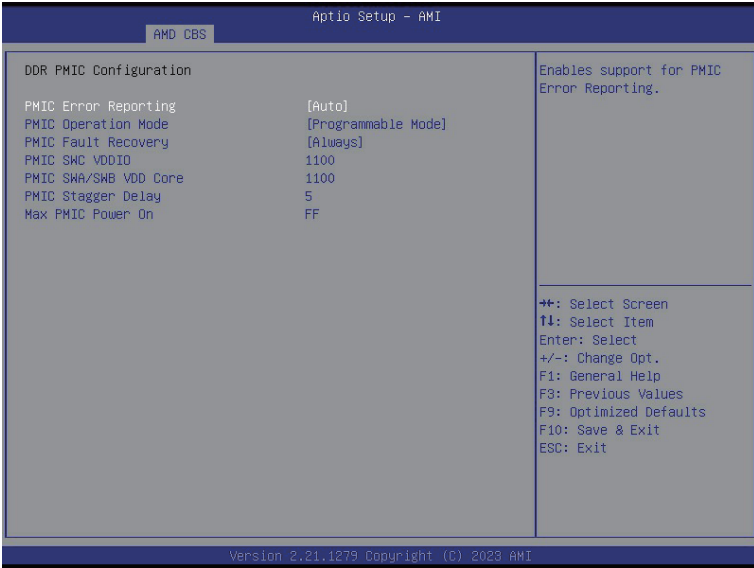
| Parameter | Description |
|-----------------------------------|---|
| DDR Training Options | |
| DRAM PDA Enumerate ID Programming | Specify PDA enumeration mode. Options available: Auto, Toggling PDA enumeration mode, Legacy PDA enumeration mode. Default setting is Auto . |

5-3-3-8 DDR Security



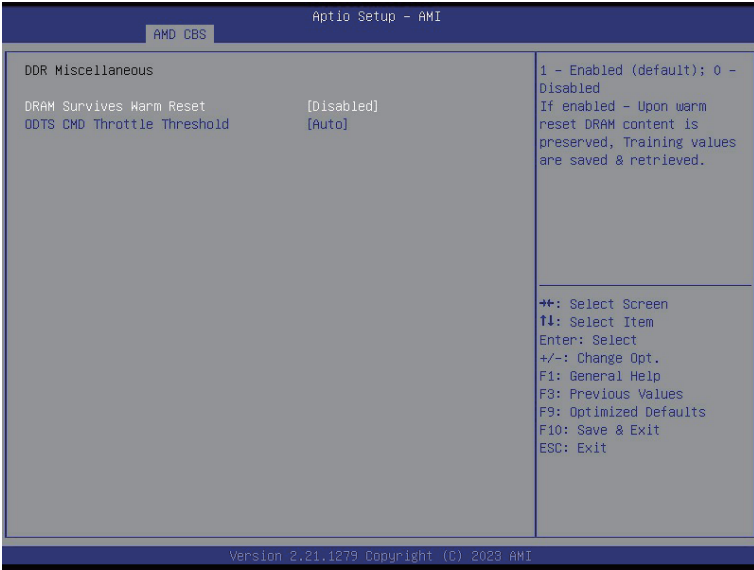
| Parameter | Description |
|-----------------|---|
| Security | |
| TSME | Enable/Disable Transparent SME. Options available: Auto, Enabled, Disabled. Default setting is Auto . |
| AES | Options available: AES-128, AES-256. Default setting is AES-256 . |
| Data Scramble | Enable/Disable Data Scrambling. Options available: Enabled, Disabled. Default setting is Enabled . |
| SME-MK | Options available: Enabled, Disabled. Default setting is Disabled . |

5-3-3-9 DDR PMIC Configuration



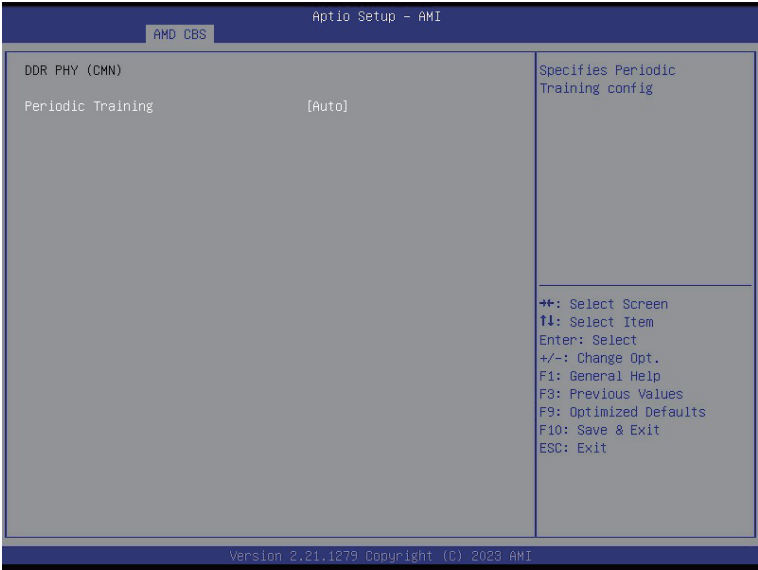
| Parameter | Description |
|------------------------|---|
| DDR PMIC Configuration | |
| PMIC Error Reporting | Enables support for PMIC Error Reporting. Options available: Auto, False, True. Default setting is Auto . |
| PMIC Operation Mode | Options available: Secure Mode, Programming Mode. Default setting is Programming Mode . |
| PMIC Fault Recovery | Options available: Always, Never, Once. Default setting is Always . |
| PMIC SWC VDDIO | Default setting is 1100 . |
| PMIC SWA/SWB VDD Core | Default setting is 1100 . |
| PMIC Stagger Delay | Default setting is 5 . |
| Max PMIC Power On | Default setting is FF . |

5-3-3-10 DDR Miscellaneous



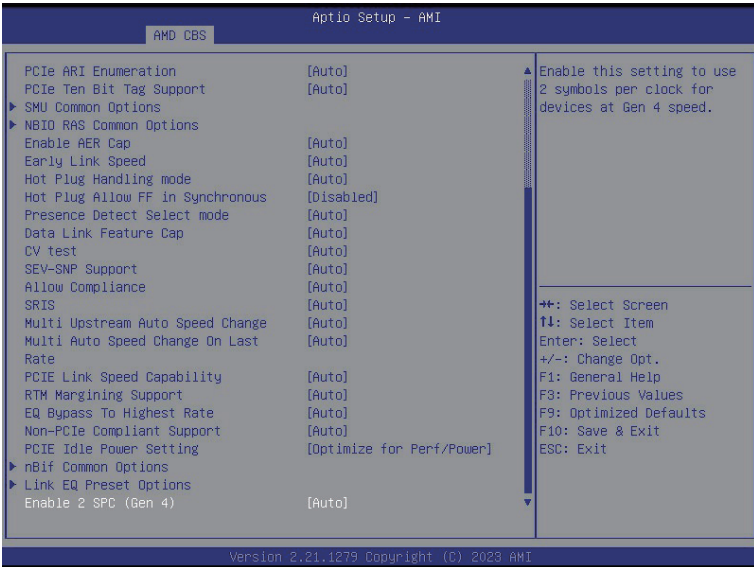
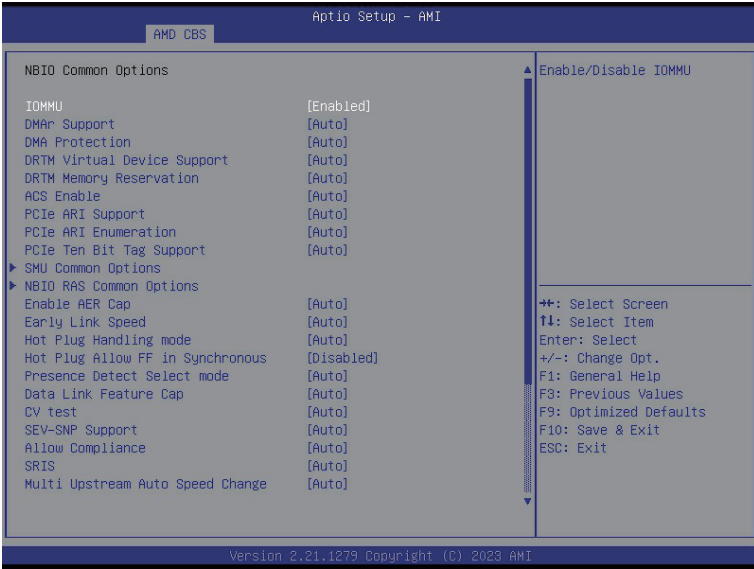
| Parameter | Description |
|-----------------------------|---|
| DDR Miscellaneous | |
| DRAM Survives Warm Reset | Options available: Enabled, Disabled. Default setting is Enabled . |
| ODTS CMD Throttle Threshold | Options available: Auto, 85°C, 90°C, 95°C. Default setting is Auto . |

5-3-3-11 DDR PHY (CMN)



| Parameter | Description |
|-------------------|--|
| DDR PHY (CMN) | |
| Periodic Training | Options available: Auto, Enabled, Disabled. Default setting is Auto . |

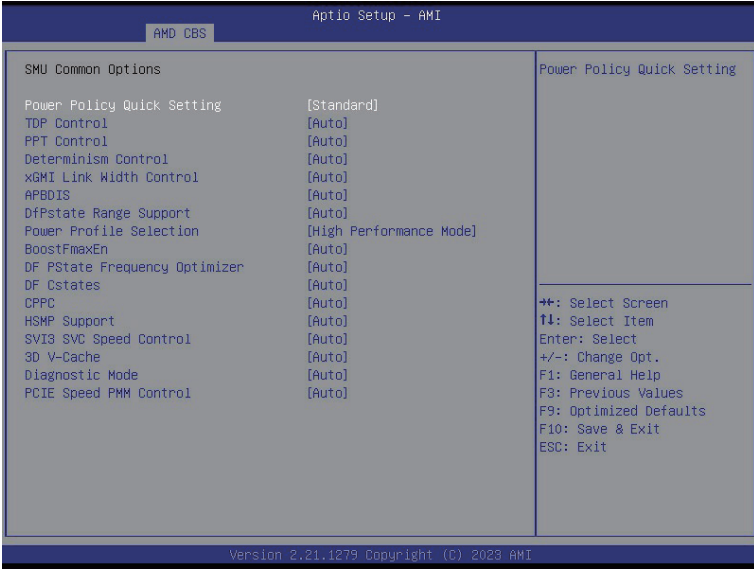
5-3-4 NBIO Common Options



| Parameter | Description |
|----------------------------------|---|
| NBIO Common Options | |
| IOMMU | Enable/Disable the IOMMU function. Options available: Disabled, Enabled. Default setting is Enabled . |
| DMAr Support | Enable/Disable DMAr system protection during POST. Options available: Disabled, Enabled, Auto. Default setting is Auto . |
| DMA Protection | Enable/Disable DMA remap support in IVRS IVinfo Field. Options available: Auto, Enabled, Disabled. Default setting is Auto . |
| DRTM Virtual Device Support | Enable/Disable DRTM ACPI virtual device. Options available: Disabled, Enabled, Auto. Default setting is Auto . |
| DRTM Memory Reservation | Enable/Disable DRTM Memory reservation. Options available: Disabled, Enabled, Auto. Default setting is Auto . |
| ACS Enable | Enable/Disable ACS. Options available: Enable, Disabled, Auto. Default setting is Auto . |
| PCIe ARI Support | Enable/Disable Alternative Routing-ID Interpretation. Options available: Disable, Enable, Auto. Default setting is Auto . |
| PCIe ARI Enumeration | ARI Forwarding Enable for each downstream port. Options available: Disable, Enable, Auto. Default setting is Auto . |
| PCIe Ten Bit Tag Support | Enable/Disable PCIe ten bit tags for supported devices. (Auto=Disabled) Options available: Disable, Enable, Auto. Default setting is Auto . |
| SMU Common Options | Press [Enter] for configuration of advanced items. |
| NBIO RAS Common Options | Press [Enter] for configuration of advanced items. |
| Enable AER Cap | Enable/Disable Advanced Error Reporting Capability. Options available: Enable, Disabled, Auto. Default setting is Auto . |
| Early Link Speed | Configures Early Link Speed. Options available: Auto, Gen1, Gen2. Default setting is Auto . |
| Hot Plug Handling mode | Controls the Hot Plug Handling mode. Options available: OS First, Firmware First/EDR if OS supports, Firmware First but allow OS First, System Firmware Intermediary, Auto. Default setting is Auto . |
| Hot Plug Allow FF in Synchronous | Allows firmware first hot plug handling mode to operate in mode A and mode B synchronous mappings. Options available: Disabled, Enabled. Default setting is Disabled . |
| Presence Detect Select mode | Controls the Presence Detect Select mode. Options available: OR, AND, Auto. Default setting is Auto . |

| Parameter | Description |
|--------------------------------------|---|
| Data Link Feature Cap | Enable/Disable the data link feature capability. Options available: Enabled, Disabled, Auto. Default setting is Auto . |
| CV test | Enable/Disable the running PCIE CV tool support. Options available: Auto, Enabled, Disabled. Default setting is Auto . |
| SEV-SNP Support | Enable/Disable the SEV-SNP support. Options available: Disable, Enable. Default setting is Disable . |
| Allow Compliance | When enabled, allows the PCIe RP to enter Polling.Compliance state. Options available: Auto, Disable, Enable. Default setting is Auto . |
| SRIS | Options available: Auto, Disable, Enable. Default setting is Auto . |
| Multi Upstream Auto Speed Change | Defines the setting of this feature for all PCIe devices. Options available: Disabled, Enabled, Auto. Default setting is Auto . |
| Multi Auto Speed Change On Last Rate | Options available: Disable, Enable, Auto. Default setting is Auto . |
| PCIE Link Speed Capability | Options available: Maximum speed, Gen1, Gen2, Gen3, Gen4, Gen5, Auto. Default setting is Auto . |
| RTM Margining Support | Options available: Disable, Enable, Auto. Default setting is Auto . |
| EQ Bypass To Highest Rate | Options available: Disable, Enable, Auto. Default setting is Auto . |
| Non-PCIe Compliance Support | Options available: Disable, Enable, Auto. Default setting is Auto . |
| PCIE Idle Power Setting | Options available: Optimized for Latency, Optimized for Perf/Power. Default setting is Optimized for Perf/Power . |
| nBif Common Options | Press [Enter] for configuration of advanced items. |
| Link EQ Present Options | Press [Enter] for configuration of advanced items. |
| Enable 2 SPC (Gen 4) | Enable this settings to use 2 symbols per clock for devices at Gen 4 peed. Options available: Enable, Auto. Default setting is Auto . |

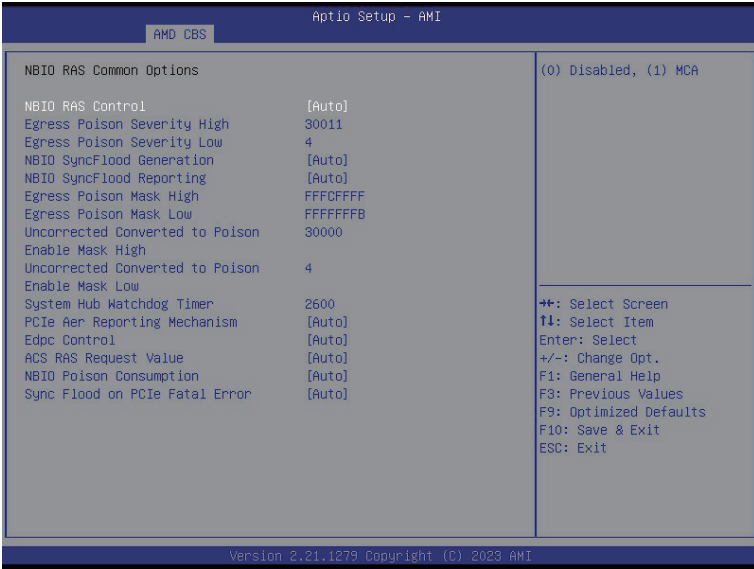
5-3-4-1 SMU Common Options



| Parameter | Description |
|-------------------------------|---|
| SMU Common Options | |
| TDP Control | Options available: Manual, Auto. Default setting is Auto . |
| PPT Control | Options available: Manual, Auto. Default setting is Auto . |
| Determinism Control | Selects use the fused Determinism or set customized Determinism. Options available: Manual, Auto. Default setting is Auto . |
| xGMI Link Width Control | Options available: Manual, Auto. Default setting is Auto . |
| APBDIS | Options available: 0, 1, Auto. Default setting is Auto . |
| Power Profile Selection | Options available: High Performance Mode, Efficiency Mode, Maximum IO Performance Mode. Default setting is High Performance Mode . |
| BoostFmaxEn | Options available: Manual, Auto. Default setting is Auto . |
| DF PState Frequency Optimizer | Options available: Auto, Enabled, Disabled. Default setting is Auto . |
| DF PState Latency Optimizer | Options available: Auto, Enabled, Disabled. Default setting is Auto . |
| DF Cstates | Options available: Disabled, Enabled, Auto. Default setting is Disabled . |
| CPPC | Enable/Disable the CPPC feature. Options available: Disabled, Enabled, Auto. Default setting is Auto . |

| Parameter | Description |
|------------------------|--|
| CPPC Preferred Cores | Options available: Disabled, Enabled, Auto. Default setting is Auto . |
| HSMP Support | Enable/Disable the HSMP support. Options available: Disabled, Enabled, Auto. Default setting is Auto . |
| SVI3 SVC Speed Control | Options available: Auto, Manual. Default setting is Auto . |
| 3D V-Cache | Options available: Auto, Disable, 1 stack, 2 stack, 4 stack. Default setting is Auto . |
| Diagnostic Mode | Options available: Disabled, Enabled, Auto. Default setting is Auto . |
| PCIe Speed PMM Control | Options available: Dynamic link speed determined by Power Management functionality, Static Target Link Speed (GEN4), Static Target Link Speed (GEN5), Auto. Default setting is Auto . |

5-3-4-2 NBIO RAS Common Options



| Parameter | Description |
|-----------------------------|--|
| NBIO RAS Common Options | |
| NBIO RAS Control | Options available: Disabled, MCA, Auto. Default setting is Auto . |
| Egress Poison Severity High | Configures the Egress Poison High Severity. Each bit set to 1 enables High severity on the associated IOHC egress port. A bit of 0 indicates LOW severity. |
| Egress Poison Severity Low | Configures the Egress Poison Low Severity. Each bit set to 1 enables High severity on the associated IOHC egress port. A bit of 0 indicates LOW severity. |
| NBIO SyncFlood Generation | The value may be used to mask SyncFlood caused by NBIO RAS options. Options available: Enabled, Disabled, Auto. Default setting is Auto . |
| NBIO SyncFlood Reporting | The value may be used to enable SyncFlood reporting to APML. Options available: Enabled, Disabled, Auto. Default setting is Auto . |
| Egress Poison Mask High | Enables mask for masking of errors logged in EGRESS_POISON_STATUS. For each bit set to 1, errors are masked. For each bit set to 0, errors trigger response actions. |
| Egress Poison Mask Low | Enables mask for masking of errors logged in EGRESS_POISON_STATUS. For each bit set to 1, errors are masked. For each bit set to 0, errors trigger response actions. |

| Parameter | Description |
|--|---|
| Uncorrected Converted to Poison Enable Mask High | Enables mask for masking of uncorrectable parity errors on internal arrays. |
| Uncorrected Converted to Poison Enable Mask Low | Enables mask for masking of uncorrectable parity errors on internal arrays. |
| System Hub Watchdog Timer | Specifies the timer interval of the SYSHUB Watchdog timer in milliseconds. |
| PCIe Aer Reporting Mechanism | Selects the method of reporting AER errors from PCI Express. Options available: Firmware First, Firmware First but allow OS First, OS First, Auto. Default setting is Auto . |
| Edpc Control | Options available: Disabled, Enabled, Auto. Default setting is Auto . |
| ACS RAS Request Value | Options available: Direct Request Access Enabled, Request Blocking Enabled, Request Redirect Enabled, Auto. Default setting is Auto . |
| NBIO Poison Consumption | Options available: Auto, Enabled, Disabled. Default setting is Auto . |
| Sync Flood on PCIe Fatal Error | Options available: Auto, True, False. Default setting is Auto . |

5-3-4-3 nBif Common Options



| Parameter | Description |
|-----------|--|
| MPDMA-TF | <ul style="list-style-type: none"> ◆ SRIOV <ul style="list-style-type: none"> – Options available: Auto, Disable, Enable. Default setting is Auto. ◆ ARI <ul style="list-style-type: none"> – Options available: Auto/Default, Disable, Enable. Default setting is Auto/Default. ◆ AER <ul style="list-style-type: none"> – Options available: Auto, Disable, Enable. Default setting is Auto. ◆ ACS <ul style="list-style-type: none"> – Options available: Auto, Disable, Enable. Default setting is Auto. ◆ ATS <ul style="list-style-type: none"> – Options available: Auto, Disable, Enable. Default setting is Auto. ◆ PASID <ul style="list-style-type: none"> – Options available: Auto, Disable, Enable. Default setting is Auto. ◆ RTR <ul style="list-style-type: none"> – Options available: Auto, Disable, Enable. Default setting is Auto. ◆ PAGE_REQ <ul style="list-style-type: none"> – Options available: Auto, Disable, Enable. Default setting is Auto. ◆ PWR <ul style="list-style-type: none"> – Options available: Auto, Disable, Enable. Default setting is Auto. ◆ ATC_ENABLE <ul style="list-style-type: none"> – Options available: Auto, Disable, Enable. Default setting is Auto. |

| Parameter | Description |
|-----------|--|
| RCC_DEV0 | <ul style="list-style-type: none"> ◆ ACS Rcc_Dev0 <ul style="list-style-type: none"> – Options available: Auto, Disable, Enable. Default setting is Auto. |
| | <ul style="list-style-type: none"> ◆ AER Rcc_Dev0 <ul style="list-style-type: none"> – Options available: Auto, Disable, Enable. Default setting is Auto. |
| | <ul style="list-style-type: none"> ◆ DllEnableStrap1 <ul style="list-style-type: none"> – Options available: Auto, Disable, Enable. Default setting is Auto. |
| | <ul style="list-style-type: none"> ◆ Phy16GTStrap1 <ul style="list-style-type: none"> – Options available: Auto, Disable, Enable. Default setting is Auto. |
| | <ul style="list-style-type: none"> ◆ MarginEnStrap1 <ul style="list-style-type: none"> – Options available: Auto, Disable, Enable. Default setting is Auto. |
| | <ul style="list-style-type: none"> ◆ SourceValStrap5 <ul style="list-style-type: none"> – Options available: Auto, Disable, Enable. Default setting is Auto. |
| | <ul style="list-style-type: none"> ◆ TranslationalBlockingStrap5 <ul style="list-style-type: none"> – Options available: Auto, Disable, Enable. Default setting is Auto. |
| | <ul style="list-style-type: none"> ◆ P2pReq ACS Control <ul style="list-style-type: none"> – Options available: Auto, Disable, Enable. Default setting is Auto. |
| | <ul style="list-style-type: none"> ◆ P2pCompStrap5 <ul style="list-style-type: none"> – Options available: Auto, Disable, Enable. Default setting is Auto. |
| | <ul style="list-style-type: none"> ◆ UpstreamFwdStrap5 <ul style="list-style-type: none"> – Options available: Auto, Disable, Enable. Default setting is Auto. |
| | <ul style="list-style-type: none"> ◆ P2PEgressStrap5 <ul style="list-style-type: none"> – Options available: Auto, Disable, Enable. Default setting is Auto. |
| | <ul style="list-style-type: none"> ◆ DirectTranslatedStrap5 <ul style="list-style-type: none"> – Options available: Auto, Disable, Enable. Default setting is Auto. |
| | <ul style="list-style-type: none"> ◆ SsidEnStrap5 <ul style="list-style-type: none"> – Options available: Auto, Disable, Enable. Default setting is Auto. |
| | <ul style="list-style-type: none"> ◆ PriEnPageReq <ul style="list-style-type: none"> – Options available: Auto, Disable, Enable. Default setting is Auto. |
| | <ul style="list-style-type: none"> ◆ PriResetPageReq <ul style="list-style-type: none"> – Options available: Auto, Disable, Enable. Default setting is Auto. |
| | <ul style="list-style-type: none"> ◆ SourceVal ACS cntl <ul style="list-style-type: none"> – Options available: Auto, Disable, Enable. Default setting is Auto. |
| | <ul style="list-style-type: none"> ◆ TranslationalBlocking ACS Control <ul style="list-style-type: none"> – Options available: Auto, Disable, Enable. Default setting is Auto. |
| | <ul style="list-style-type: none"> ◆ P2pComp ACS Control <ul style="list-style-type: none"> – Options available: Auto, Disable, Enable. Default setting is Auto. |
| | <ul style="list-style-type: none"> ◆ UpstreamFwd ACS Control <ul style="list-style-type: none"> – Options available: Auto, Disable, Enable. Default setting is Auto. |
| | <ul style="list-style-type: none"> ◆ P2PEgress ACS Control <ul style="list-style-type: none"> – Options available: Auto, Disable, Enable. Default setting is Auto. |
| | <ul style="list-style-type: none"> ◆ P2pReqStrap5 <ul style="list-style-type: none"> – Options available: Auto, Disable, Enable. Default setting is Auto. |
| | <ul style="list-style-type: none"> ◆ E2E_PREFIX <ul style="list-style-type: none"> – Options available: Auto, Disable, Enable. Default setting is Auto. |

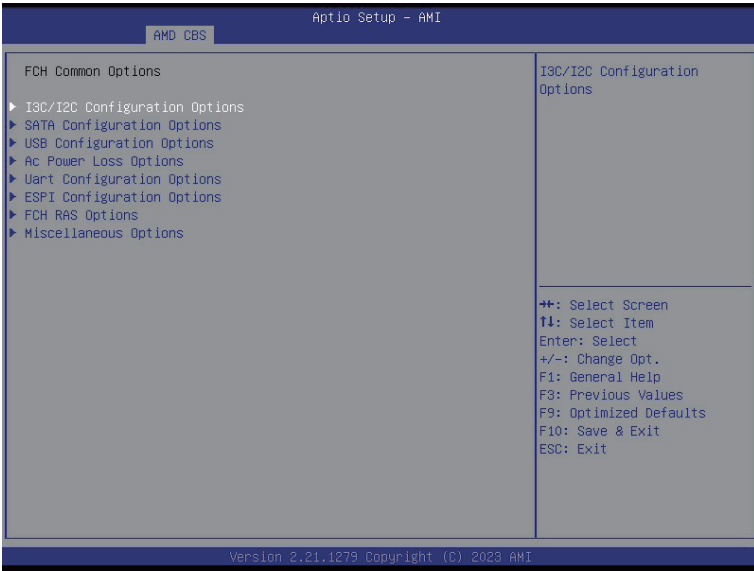
| Parameter | Description |
|-------------------------|--|
| RCC_DEV0 (continued) | ♦ EXTENDED_FMT – Options available: Auto, Disable, Enable. Default setting is Auto . |

5-3-4-4 Link EQ Present Options



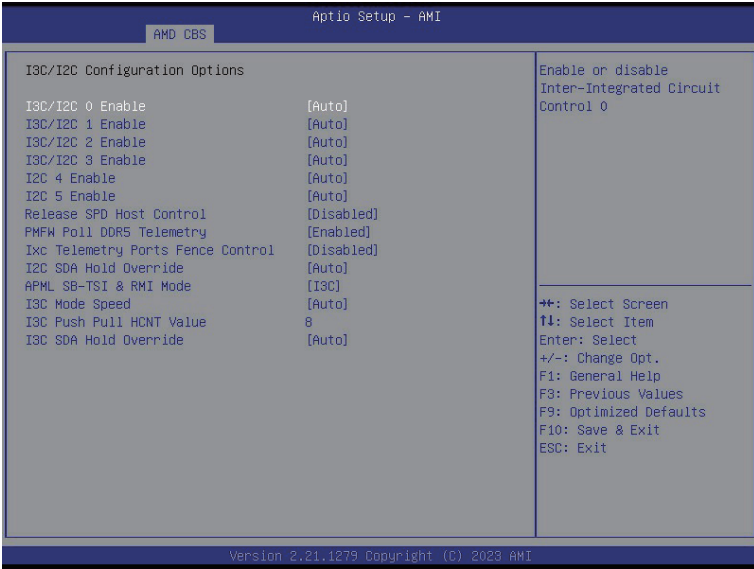
| Parameter | Description |
|-------------------------|--|
| Link EQ Present Options | |
| GEN3 | Press [Enter] for configuration of advanced items. <ul style="list-style-type: none"> ◆ Present Search Mask Configuration <ul style="list-style-type: none"> – Options available: Auto, Custom, Enable. Default setting is Auto. |
| GEN4 | Press [Enter] for configuration of advanced items. <ul style="list-style-type: none"> ◆ Present Search Mask Configuration <ul style="list-style-type: none"> – Options available: Auto, Custom, Enable. Default setting is Auto. |
| GEN5 | Press [Enter] for configuration of advanced items. <ul style="list-style-type: none"> ◆ Present Search Mask Configuration <ul style="list-style-type: none"> – Options available: Auto, Custom, Enable. Default setting is Auto. |

5-3-5 FCH Common Options



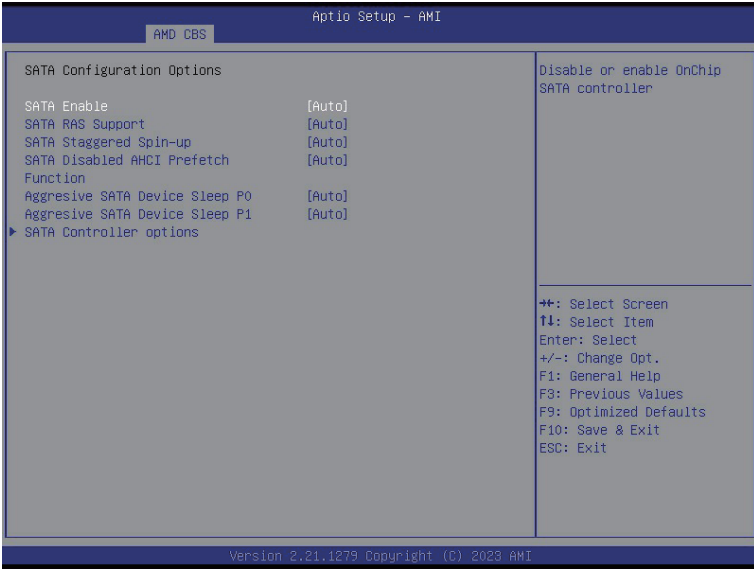
| Parameter | Description |
|-------------------------------|--|
| FCH Common Options | |
| I3C/I2C Configuration Options | Press [Enter] for configuration of advanced items. |
| SATA Configuration Options | Press [Enter] for configuration of advanced items. |
| USB Configuration Options | Press [Enter] for configuration of advanced items. |
| AC Power Loss Options | Press [Enter] for configuration of advanced items. |
| Uart Configuration Options | Press [Enter] for configuration of advanced items. |
| ESPI Configuration Options | Press [Enter] for configuration of advanced items. |
| FCH RAS Options | Press [Enter] for configuration of advanced items. |
| Miscellaneous Options | Press [Enter] for configuration of advanced items. |

5-3-5-1 I3C/I2C Configuration Options



| Parameter | Description |
|-------------------------------|--|
| I3C/I2C Configuration Options | |
| I3C/I2C 0/1/2/3 Enable | Options available: Both Disabled, I3C Enabled, I2C Enabled, Auto. Default setting is Auto . |
| I2C 4/5 Enable | Options available: Disabled, Enabled, Auto. Default setting is Auto . |
| Release SPD Host Control | Options available: Disabled, Enabled, Auto. Default setting is Auto . |
| I2C SDA Hold Override | Options available: Disabled, Enabled, Auto. Default setting is Auto . |
| APLM SB-TSI Mode | Options available: I3C, I2C. Default setting is I3C . |
| I3C Mode Speed | Options available: SDR2(6MHz), SDR0(12.5MHz), Auto. Default setting is Auto . |
| I3C SDA Hold Value | Configures I3C SDA Hold value. |

5-3-5-2 SATA Configuration Options



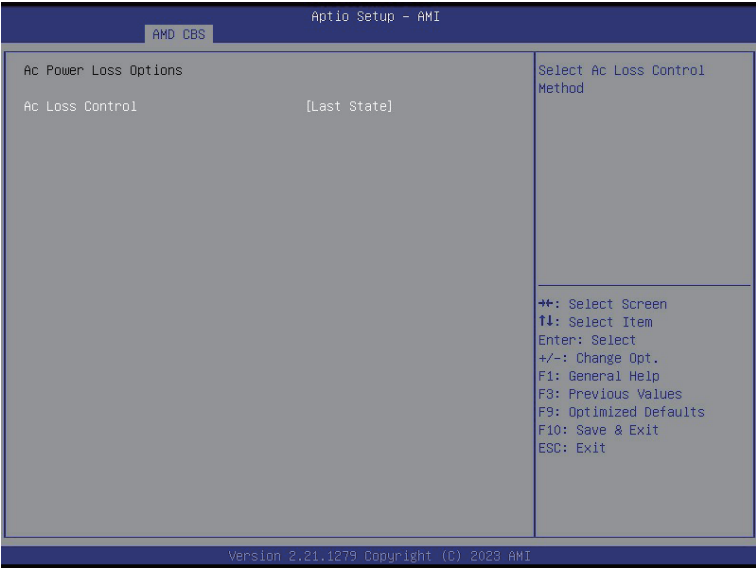
| Parameter | Description |
|--------------------------------------|---|
| SATA Configuration Options | |
| SATA Enable | Enable/Disable OnChip SATA controller. Options available: Disabled, Enabled, Auto. Default setting is Auto . |
| SATA RAS Support | Options available: Disabled, Enabled, Auto. Default setting is Auto . |
| SATA Staggered Spin-up | Options available: Disabled, Enabled, Auto. Default setting is Auto . |
| SATA Disabled AHCI Prefetch Function | Options available: Disabled, Enabled, Auto. Default setting is Auto . |
| Aggressive SATA Device Sleep P0/P1 | Options available: Disabled, Enabled, Auto. Default setting is Auto . |
| SATA Controller options | Press [Enter] for configuration of advanced items. <ul style="list-style-type: none"> ◆ SATA Controller Enable ◆ SATA Controller eSATA ◆ SATA Controller DevSlp ◆ SATA Controller SGPIO |

5-3-5-3 USB Configuration Options



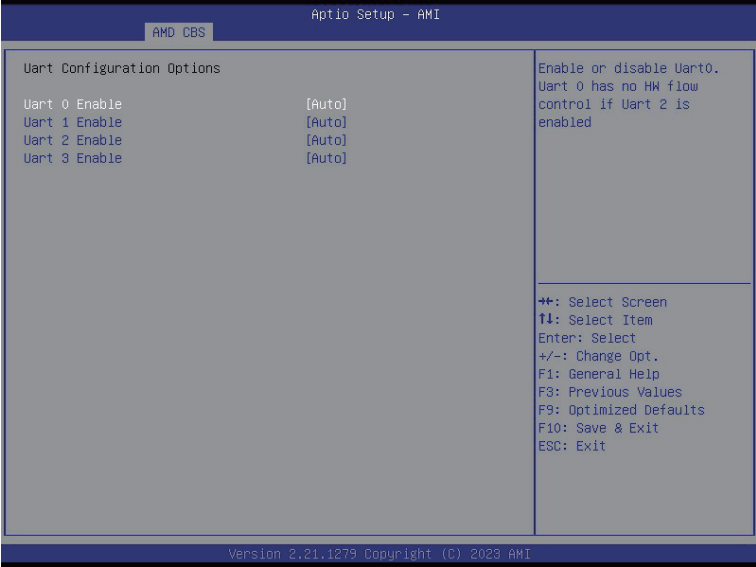
| Parameter | Description |
|---------------------------|---|
| USB Configuration Options | |
| XHCI Controller0/1 enable | Enable/Disable USB controller. Options available: Enabled, Disabled, Auto. Default setting is Auto . |
| USB ecc SMI Enable | Options available: Enable, Off, Auto. Default setting is Auto . |
| MCM USB enable | Press [Enter] for configuration of advanced items. <ul style="list-style-type: none"> ◆ XHCI2/ XHCI3 enable (Socket1) <ul style="list-style-type: none"> – Options available: Enabled, Disabled, Auto. Default setting is Auto. |

5-3-5-4 AC Power Loss Options



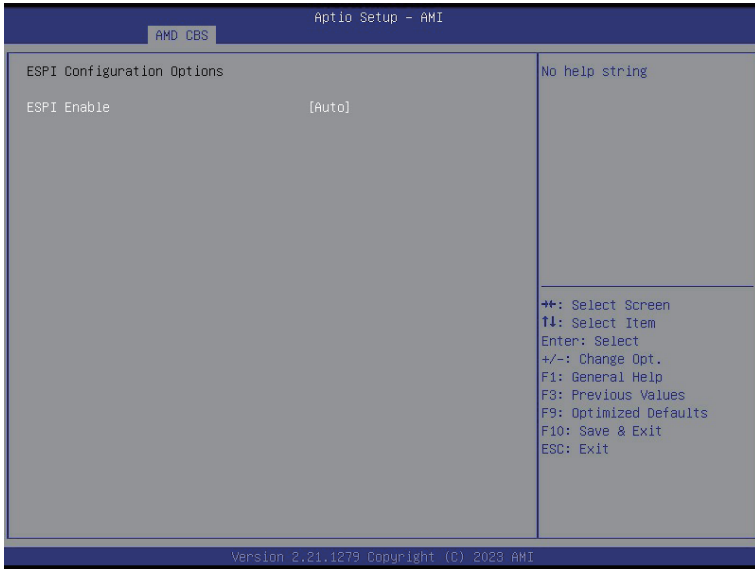
| Parameter | Description |
|-----------------------|--|
| AC Power Loss Options | |
| AC Loss Control | Selects the AC Loss Control Method. Options available: Power Off, Power On, Last State. Default setting is Last State . |

5-3-5-5 Uart Configuration Options



| Parameter | Description |
|----------------------------|--|
| Uart Configuration Options | |
| Uart 0/1/2/3 Enable | Options available: Disabled, Enabled, Auto. Default setting is Auto . |

5-3-5-6 ESPI Configuration Options



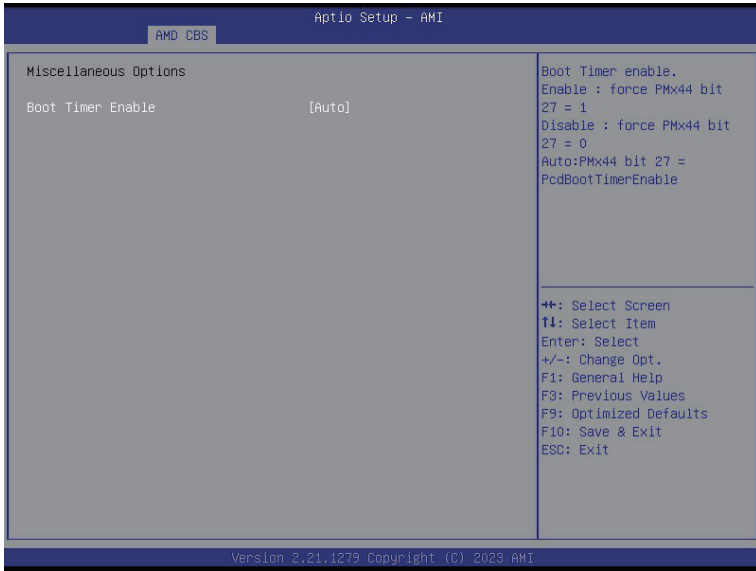
| Parameter | Description |
|----------------------------|--|
| ESPI Configuration Options | |
| ESPI Enable | Options available: Disabled, Enabled, Auto. Default setting is Auto . |

5-3-5-7 FCH RAS Options



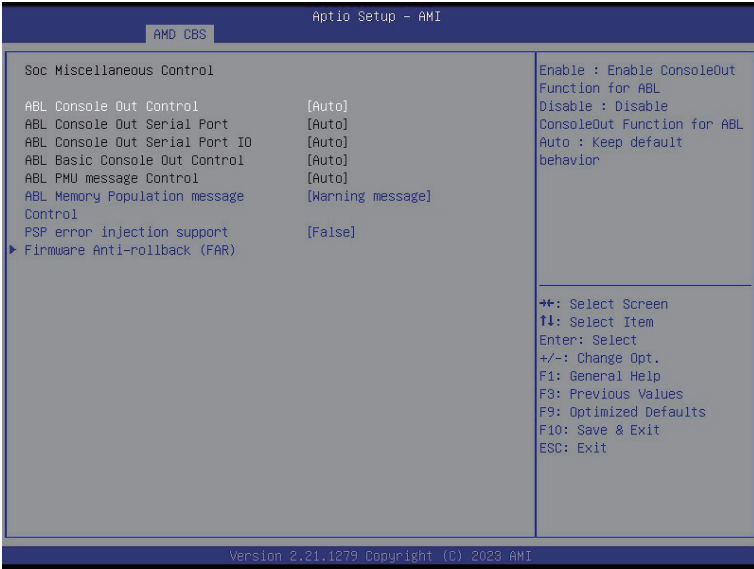
| Parameter | Description |
|------------------------|---|
| FCH RAS Options | |
| ALink RAS Support | Enable/Disable the ALink RAS Support. Options available: Disabled, Enabled, Auto. Default setting is Auto . |
| Reset After Sync Flood | Enables AB to forward downstream sync-flood message to system controller. Options available: Enable, Disable, Auto. Default setting is Auto . |

5-3-5-8 Miscellaneous Options



| Parameter | Description |
|-----------------------|--|
| Miscellaneous Options | |
| Boot Timer Enable | Enable/Disable Boot Timer. Options available: Disabled, Enabled, Auto. Default setting is Auto . |

5-3-6 SOC Miscellaneous Control



| Parameter | Description |
|---|---|
| SOC Miscellaneous Control | |
| ABL Console Out Control ^(Note) | Enable/Disable the ConsoleOut function for ABL. Options available: Disable, Enable, Auto. Default setting is Auto . |
| ABL Console Out Serial Port ^(Note) | Options available: eSPI, SOC UART0, SOC UART1, Auto. Default setting is Auto . |
| ABL Console Out Serial Port IO | Options available: 0x3F8, 0x2F8, 0x3E8, 0x2E8, Auto. Default setting is Auto . |
| ABL Basic Console Out Control | Enable/Disable the Basic ConsoleOut function for ABL. Options available: Disable, Enable, Auto. Default setting is Auto . |
| ABL PMU message Control | To Control the total number of PMU debug messages. Options available: Auto, Detailed debug message, Coarse debug message, Stage completion, Assertion messages, Firmware completion message only. Default setting is Auto . |
| ABL Memory Population message Control | Options available: Warning message, Fatal error. Default setting is Warning message . |
| PSP error injection support | Options available: False, True. Default setting is False . |

(Note) Advanced items are configurable when this item is defined.

Firmware Anti-rollback (FAR)

Press [Enter] for configuration of advanced items.

- ◆ FAR enforcement state
 - Default setting is **Enabled**.
- ◆ SPL value in the CPU Fuse
- ◆ SPL value in the SPL table
- ◆ FAR Switch
 - Options available: Disabled, Enabled, Auto. Default setting is **Auto**.

5-3-7 CXL Common Options



| Parameter | Description |
|-------------------------|--|
| CXL Common Options | |
| CXL Control | Options available: Auto, Enabled, Disabled. Default setting is Auto . |
| CXL SPM | Options available: Auto, Enabled, Disabled. Default setting is Auto . |
| CXL Encryption | Options available: Enabled, Disabled. Default setting is Disabled . |
| CXL DVSEC LOCK | Options available: Auto, Enabled, Disabled. Default setting is Auto . |
| Temp Gen5 Advertisement | Options available: Disable, Enable, Auto. Default setting is Auto . |
| Sync Hader Bypass | Options available: Auto, Enabled, Disabled. Default setting is Auto . |
| CXL RAS | Press [Enter] for configuration of advanced items. <ul style="list-style-type: none"> ◆ CXL Protocol Error Reporting <ul style="list-style-type: none"> – Options available: Disabled, SameAsPciAer, ForceAerFwFirstIfCx1Present . Default setting is SameAsPciAer. |

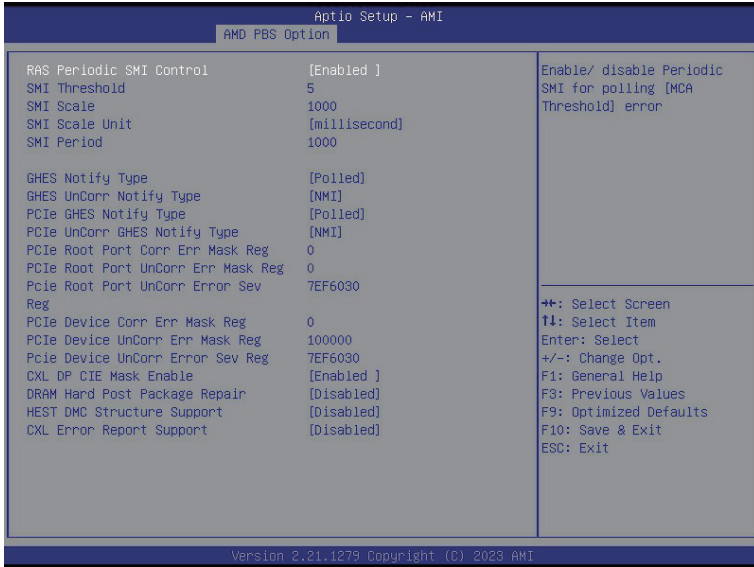
5-4 AMD PBS Menu

AMD PBS Option menu displays submenu options for configuring the function of AMD PBS. Select a submenu item, then press [Enter] to access the related submenu screen.



| Parameter | Description |
|----------------------|--|
| RAS | Press [Enter] for configuration of advanced items. |
| SPI Locking | Enable/Disable SPI Locking for protect ROM part. Options available: Disabled, Enabled. Default setting is Disabled . |
| CXL Range Encryption | Press [Enter] for configuration of advanced items. |

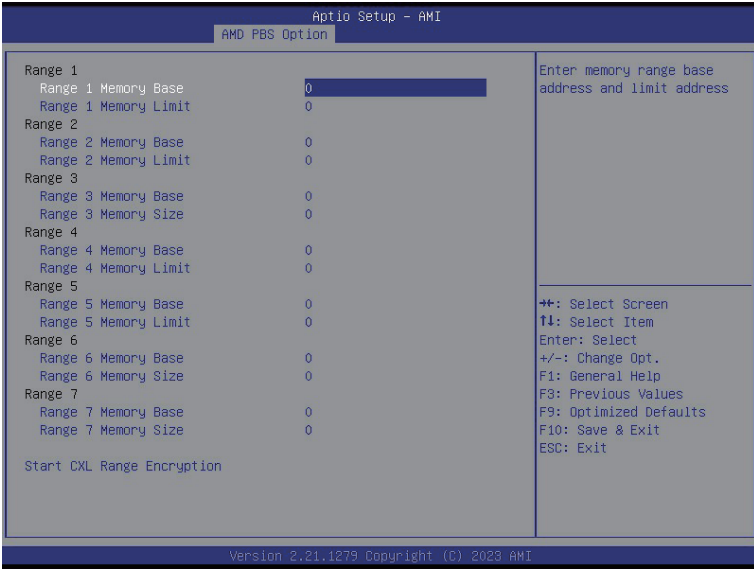
5-4-1 RAS



| Parameter | Description |
|----------------------------------|--|
| RAS Periodic SMI Control | Enable/Disable the Periodic SMI for polling [MCA Threshold] error. Options available: Disabled, Enabled. Default setting is Enabled . |
| SMI Threshold | Configures the SMI Threshold value. |
| SMI Scale | Configures the SMI Scale value. |
| SMI Scale Unit | Defines the unit of time scale. Options available: millisecond, second, minute. Default setting is millisecond . |
| SMI Period | Configures the SMI Period. |
| GHEs Notify Type | Selects the Notification type for deferred/ corrected errors. Options available: Polled, SCI. Default setting is Polled . |
| GHEs UnCorr Notify Type | Selects the Notification type for uncorrected errors. Options available: Polled, NMI. Default setting is NMI . |
| PCIe GHEs Notify Type | Selects the Notification type for PCIe corrected errors. Options available: Polled, SCI. Default setting is Polled . |
| PCIe UnCorr GHEs Notify Type | Selects the Notification type for PCIe uncorrected errors. Options available: Polled, NMI. Default setting is NMI . |
| PCIe Root Port Corr Err Mask Reg | Initialize the PCIe AER Corrected Error Mask register of Root Port. |

| Parameter | Description |
|------------------------------------|--|
| PCIe Root Port UnCorr Err Mask Reg | Initialize the PCIe AER Uncorrected Error Mask register of Root Port. |
| PCIe Root Port UnCorr Err Sev Reg | Initialize the PCIe AER Uncorrected Error Severity register of Root Port. |
| PCIe Device Corr Err Mask Reg | Initialize the PCIe AER Corrected Error Mask register of PCIe device. |
| PCIe Device UnCorr Err Mask Reg | Initialize the PCIe AER Uncorrected Error Mask register of PCIe device. |
| PCIe Device UnCorr Err Sev Reg | Initialize the PCIe AER Uncorrected Error Severity register of PCIe device. |
| DRAM Hard Post Package Repair | This feature allows spare DRAM rows to replace malfunctioning rows via an in-field repair mechanism. Options available: Disabled, Enabled. Default setting is Disabled . |
| HEST DMC Structure Support | HEST DMC (Deferred Machine Check) Structure Support. Options available: Disabled, Enabled. Default setting is Disabled . |
| CXL Error Report Support | Enable/Disable CXL Error Reporting. Options available: Disabled, Enabled. Default setting is Disabled . |

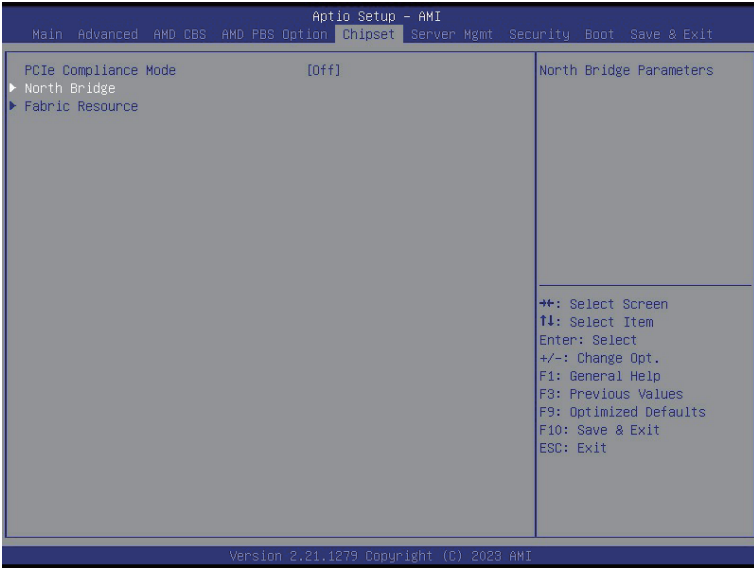
5-4-2 CXL Range Encryption



| Parameter | Description |
|--------------------------------|--|
| Range_# Range_# Memory Base | Enter memory base address and limit address. |
| Start CXL Range Encryption | Start to encrypt all memory ranges. |

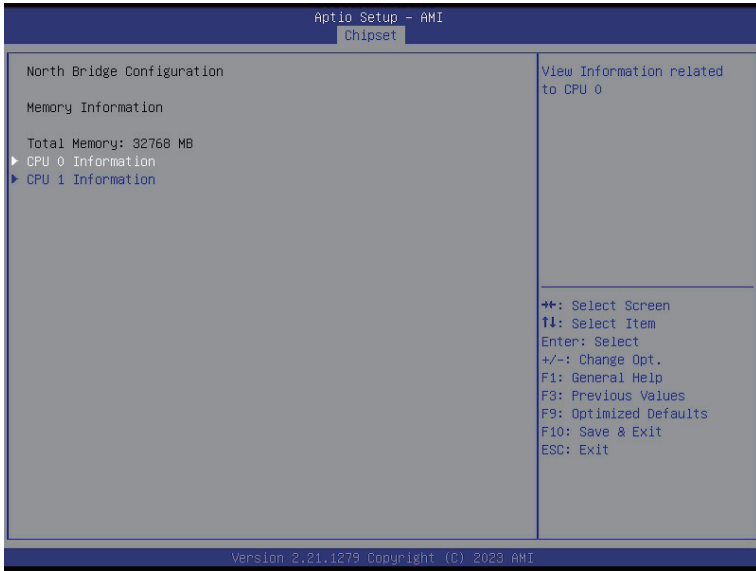
5-5 Chipset Setup Menu

Chipset Setup menu displays submenu options for configuring the function of the North Bridge. Select a submenu item, then press <Enter> to access the related submenu screen.



| Parameter | Description |
|-------------------------|---|
| PCIe Link Training Type | Options available: 1 Step, 2 Step. Default setting is 1 Step . |
| PCIe Compliance Mode | Options available: Off, On. Default setting is Off . |
| Program All VR | Enable/Disable program all VR on MB. Options available: Disabled, Enabled. Default setting is Enabled . |
| North Bridge | Press [Enter] for configuration of advanced items. |
| Fabric Resource | Press [Enter] for configuration of advanced items. |

5-5-1 North Bridge



| Parameter | Description |
|----------------------------|---|
| North Bridge Configuration | |
| Memory Information | |
| Total Memory | Displays the total memory information. |
| CPU 0/1 Information | Press [Enter] to view information related to CPU 0/1. |

5-5-2 Fabric Resource

Aptio Setup - AMI
Chipset

| | |
|---|---|
| <p>Fabric Resource</p> <p>CPU0 NBI00: Base Bus: 0x60 Prefetchable Mmio Above 4G Size: 1500 GB IO Resource: 0x000 PCIe Bus Number: 20 Prefetchable Mmio Above 4G size: [System Default] PCIe IO Resource: FFFF</p> <p>CPU0 NBI01: Base Bus: 0x40 Prefetchable Mmio Above 4G Size: 1500 GB IO Resource: 0x000 PCIe Bus Number: 20 Prefetchable Mmio Above 4G size: [System Default] PCIe IO Resource: FFFF</p> <p>CPU0 NBI02: Base Bus: 0x00 Prefetchable Mmio Above 4G Size: 1500 GB IO Resource: 0x000 PCIe Bus Number: 20 Prefetchable Mmio Above 4G size: [System Default] PCIe IO Resource: FFFF</p> | <p>▲ Change CPU0 NBI00 PCIe bus number</p> <hr/> <p>⏏: Select Screen ↑↓: Select Item Enter: Select +/-: Change Opt. F1: General Help F8: Previous Values F9: Optimized Defaults F10: Save & Exit ESC: Exit</p> <p>▼</p> |
|---|---|

Version 2.21.1279 Copyright (C) 2023 AMI

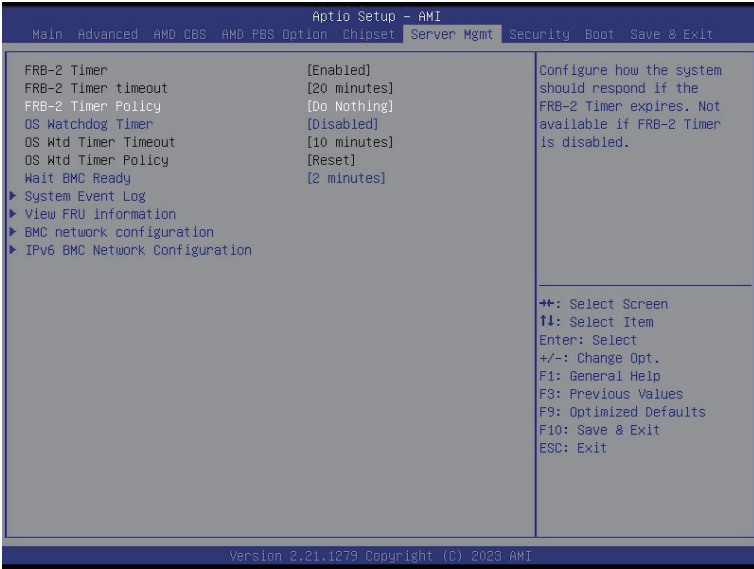
Aptio Setup - AMI
Chipset

| | |
|--|--|
| <p>CPU1 NBI01: Base Bus: 0xC0 Prefetchable Mmio Above 4G Size: 1500 GB IO Resource: 0x000 PCIe Bus Number: 20 Prefetchable Mmio Above 4G size: [System Default] PCIe IO Resource: FFFF</p> <p>CPU1 NBI02: Base Bus: 0x80 Prefetchable Mmio Above 4G Size: 1500 GB IO Resource: 0x000 PCIe Bus Number: 20 Prefetchable Mmio Above 4G size: [System Default] PCIe IO Resource: FFFF</p> <p>CPU1 NBI03: Base Bus: 0xA0 Prefetchable Mmio Above 4G Size: 1500 GB IO Resource: 0x000 PCIe Bus Number: 20 Prefetchable Mmio Above 4G size: [System Default] PCIe IO Resource: FFFF</p> | <p>▲ Change CPU1 NBI03 PCIe IO Resource</p> <hr/> <p>⏏: Select Screen ↑↓: Select Item Enter: Select +/-: Change Opt. F1: General Help F8: Previous Values F9: Optimized Defaults F10: Save & Exit ESC: Exit</p> <p>▼</p> |
|--|--|

Version 2.21.1279 Copyright (C) 2023 AMI

| Parameter | Description |
|---------------------------------|---|
| Fabric Resource | |
| CPU 0/1 NBIO_# PCIe Bus Number | Change CPU 0/1 NBIO_# PCIe Bus Number. |
| Prefetchable Mmio Above 4G size | Change CPU 0/1 NBIO_# Prefetchable MMIO Above 4G Size. Options available: System Default, 0, 1G, 2G, 4G, 8G, 16G, 32G, 64G, 128G, 256G, 512G, 1T, 2T, 4T, 8T. Default setting is System Default . |
| PCIe IO Resource | Change CPU 0/1 NBIO_# PCIe IO Resource. |

5-6 Server Management Menu

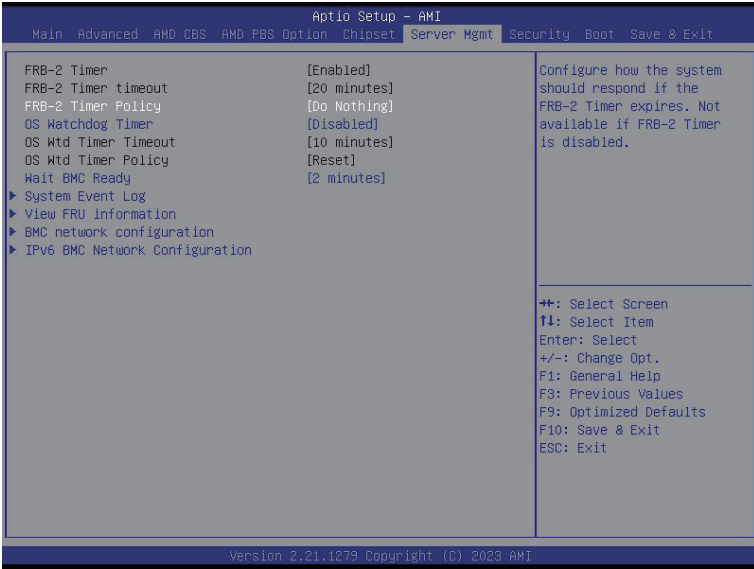


| Parameter | Description |
|--|---|
| FRB-2 Timer | Enable/Disable FRB-2 timer (POST timer). Default setting is Enabled . |
| FRB-2 Timer timeout | Configures the FRB2 Timer timeout. Options available: 3 minutes, 4 minutes, 5 minutes, 6 minutes. Default setting is 6 minutes . |
| FRB-2 Timer Policy | Configures the FRB2 Timer policy. Options available: Do Nothing, Reset, Power Down, Power Cycle. Default setting is Do Nothing . |
| OS Watchdog Timer | Enable/Disable OS Watchdog Timer function. Options available: Enabled, Disabled. Default setting is Disabled . |
| OS Wtd Timer Timeout ^(Note) | Configures OS Watchdog Timer. Options available: 5 minutes, 10 minutes, 15 minutes, 20 minutes. Default setting is 10 minutes . |
| OS Wtd Timer Policy ^(Note) | Configure OS Watchdog Timer Policy. Options available: Do Nothing, Reset, Power Down, Power Cycle. Default setting is Reset . |
| Wait BMC Ready | Post wait BMC ready and reboot system. Options available: Disabled, 2 minutes, 4 minutes, 6 minutes. Default setting is 2 minutes . |

(Note) This item is configurable when **OS Watchdog Timer** is set to **Enabled**.

| Parameter | Description |
|--------------------------------|--|
| System Event Log | Press [Enter] to configure advanced items. |
| View FRU Information | Press [Enter] to view the FRU information. |
| BMC network configuration | Press [Enter] to configure advanced items. |
| IPv6 BMC Network Configuration | Press [Enter] to configure advanced items. |

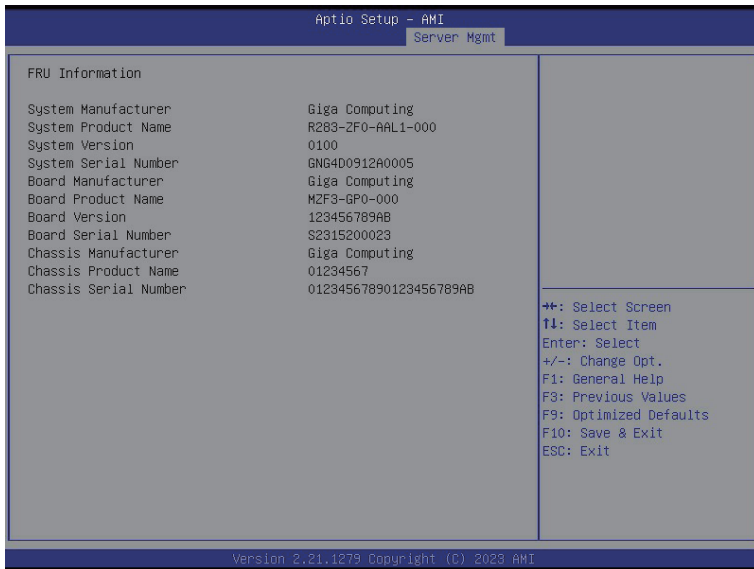
5-6-1 System Event Log



| Parameter | Description |
|------------------------------|--|
| Enabling / Disabling Options | |
| SEL Components | Change this item to enable or disable all features of System Event Logging during boot. Options available: Disabled, Enabled. Default setting is Enabled . |
| Erasing Settings | |
| Erase SEL | Choose options for erasing SEL. Options available: No/Yes, On next reset/Yes, On every reset. Default setting is No . |
| When SEL is Full | Choose options for reactions to a full SEL. Options available: Do Nothing, Erase Immediately. Default setting is Do Nothing . |
| Custom EFI Logging Options | |
| Log EFI Status Codes | Enable/Disable the logging of EFI Status Codes (if not already converted to legacy). Options available: Disabled, Both, Error code, Progress code. Default setting is Error code . |

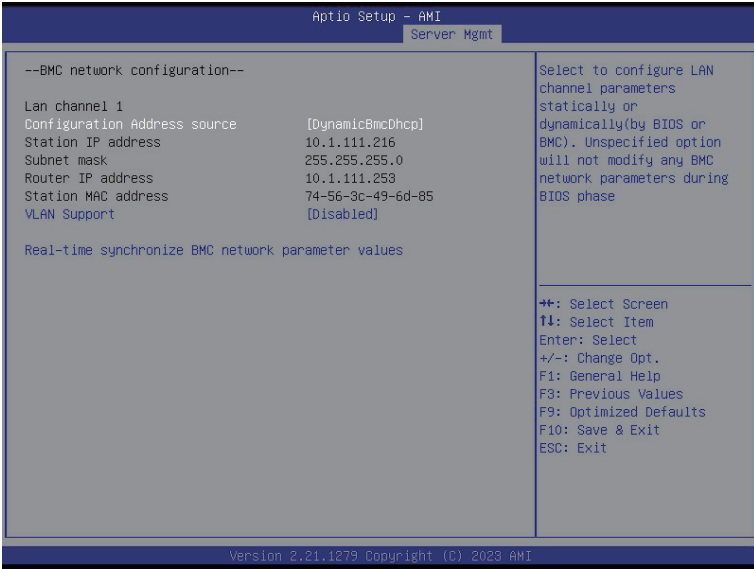
5-6-2 View FRU Information

The FRU page is a simple display page for basic system ID information, as well as System product information. Items on this window are non-configurable.



(Note) The model name will vary depends on the product you purchased

5-6-3 BMC Network Configuration



| Parameter | Description |
|--|---|
| BMC network configuration | |
| Lan Channel 1 | |
| Configuration Address source | Selects to configure LAN channel parameters statically or dynamically (DHCP). Do nothing option will not modify any BMC network parameters during BIOS phase. Options available: Unspecified, Static, DynamicBmcDhcp. Default setting is DynamicBmcDhcp . |
| Station IP address | Displays IP Address information. |
| Subnet mask | Displays Subnet Mask information. Please note that the IP address must be in three digitals, for example, 192.168.000.001. |
| Router IP address | Displays the Router IP Address information. |
| Station MAC address | Displays the MAC Address information. |
| VLAN Support | Set BMC to enable/disable VLAN support. Options available: Enabled, Disabled. Default setting is Disabled . |
| Real-time synchronize BMC network parameter values | Press [Enter] will set Address source(Static/DHCP) to BMC and then get Station IP address, Subnet mask and Router IP address from BMC. |

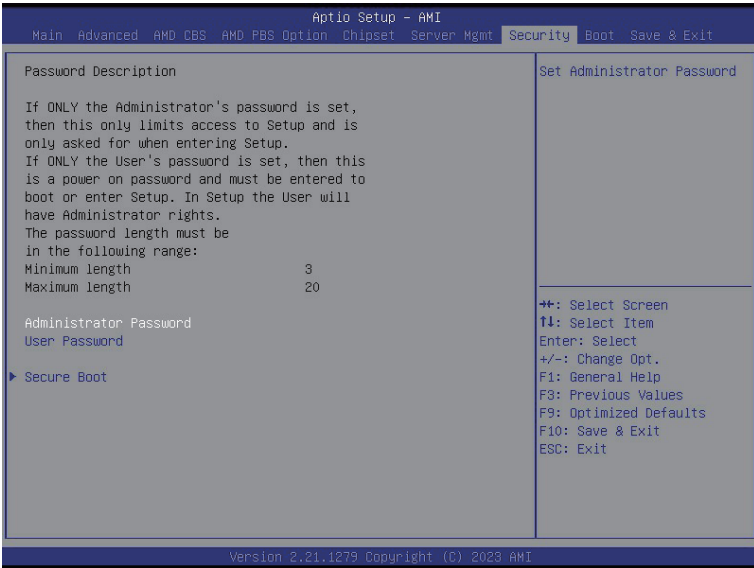
5-6-4 IPv6 BMC Network Configuration



| Parameter | Description |
|---------------------------------------|---|
| IPv6 BMC network configuration | |
| IPv6 BMC Lan Channel 1 | |
| IPv6 BMC Lan Option | Enable/Disable IPv6 BMC LAN channel function. When this item is disabled, the system will not modify any BMC network during BIOS phase. Options available: Unspecified, Disable, Enable. Default setting is Enable . |
| IPv6 BMC Lan IP Address Source | Selects to configure LAN channel parameters statically or dynamically (by BIOS or BMC). Options available: Unspecified, Static, Dynamic-Obtained by BMC running DHCP. Default setting is Dynamic-Obtained by BMC running DHCP . |
| IPv6 BMC Lan IP Address/Prefix Length | Check if the IPv6 BMC LAN IP address matches those displayed on the screen. |

5-7 Security Menu

The Security menu allows you to safeguard and protect the system from unauthorized use by setting up access passwords.



There are two types of passwords that you can set:

- Administrator Password
Entering this password will allow the user to access and change all settings in the Setup Utility.
- User Password
Entering this password will restrict a user's access to the Setup menus. To enable or disable this field, a Administrator Password must first be set. A user can only access and modify the System Time, System Date, and Set User Password fields.

| Parameter | Description |
|------------------------|--|
| Administrator Password | Press [Enter] to configure the administrator password. |
| User Password | Press [Enter] to configure the user password. |
| Secure Boot | Press [Enter] to configure advanced items. |

5-7-1 Secure Boot

The Secure Boot feature is applicable if supported by your Operating System.

If your Operating System is not supporting Secure Boot, the system will hang when starting the Operating System.



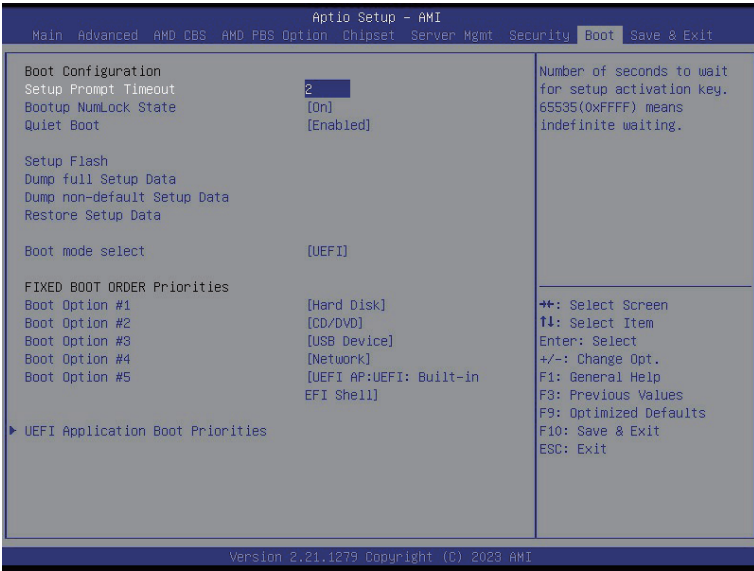
| Parameter | Description |
|------------------------------------|--|
| System Mode | Displays if the system is in User mode or Setup mode. |
| Secure Boot | Enable/ Disable the Secure Boot function. Options available: Enabled, Disabled. Default setting is Disabled . |
| Secure Boot Mode ^(Note) | Secure Boot requires all the applications that are running during the booting process to be pre-signed with valid digital certificates. This way, the system knows all files being loaded before the Operating System loads to the login screen have not been tampered with. When set to Standard, it will automatically load the Secure Boot keys from the BIOS databases. When set to Custom, you can customize the Secure Boot settings and manually load its keys from the BIOS database. Options available: Standard, Custom. Default setting is Standard . |
| Restore Factory Keys | Forces the system to user mode and installs factory default Secure Boot key database. |
| Reset To Setup Mode | Press [Enter] to reset the system mode to Setup mode. |
| Enter Audit Mode | Press [Enter] to set the system mode to audit mode. |

(Note) Advanced items prompt when this item is set to **Custom**.

| Parameter | Description |
|----------------|--|
| Key Management | <p data-bbox="335 156 665 180">Press [Enter] to configure advanced items.</p> <p data-bbox="335 185 941 235">Please note that this item is configurable when Secure Boot Mode is set to Custom.</p> <ul style="list-style-type: none"> <li data-bbox="335 243 946 352">◆ Factory Key Provision <ul style="list-style-type: none"> <li data-bbox="367 266 946 321">– Allows to provision factory default Secure Boot keys when system is in Setup Mode. <li data-bbox="367 326 909 352">– Options available: Enabled, Disabled. Default setting is Disabled. <li data-bbox="335 357 931 431">◆ Restore Factory Keys <ul style="list-style-type: none"> <li data-bbox="367 381 931 404">– Installs all factory default keys. It will force the system in User Mode. <li data-bbox="367 409 606 431">– Options available: Yes, No. <li data-bbox="335 435 904 517">◆ Enroll Efi Image <ul style="list-style-type: none"> <li data-bbox="367 459 904 517">– Press [Enter] to enroll SHA256 hash of the binary into Authorized Signature Database (db). <li data-bbox="335 522 899 572">◆ Secure Boot variable <ul style="list-style-type: none"> <li data-bbox="367 545 899 572">– Displays the current status of the variables used for secure boot. <li data-bbox="335 577 803 682">◆ Platform Key (PK) <ul style="list-style-type: none"> <li data-bbox="367 600 803 627">– Displays the current status of the Platform Key (PK). <li data-bbox="367 631 680 655">– Press [Enter] to configure a new PK. <li data-bbox="367 660 601 682">– Options available: Update. <li data-bbox="335 686 946 823">◆ Key Exchange Keys (KEK) <ul style="list-style-type: none"> <li data-bbox="367 710 946 736">– Displays the current status of the Key Exchange Key Database (KEK). <li data-bbox="367 741 909 796">– Press [Enter] to configure a new KEK or load additional KEK from storage devices. <li data-bbox="367 801 675 823">– Options available: Update, Append. <li data-bbox="335 827 946 964">◆ Authorized Signatures (DB) <ul style="list-style-type: none"> <li data-bbox="367 851 909 878">– Displays the current status of the Authorized Signature Database. <li data-bbox="367 882 946 937">– Press [Enter] to configure a new DB or load additional DB from storage devices. <li data-bbox="367 942 675 964">– Options available: Update, Append. <li data-bbox="335 969 904 1105">◆ Forbidden Signatures (DBX) <ul style="list-style-type: none"> <li data-bbox="367 992 904 1019">– Displays the current status of the Forbidden Signature Database. <li data-bbox="367 1023 893 1078">– Press [Enter] to configure a new dbx or load additional dbx from storage devices. <li data-bbox="367 1083 675 1105">– Options available: Update, Append. <li data-bbox="335 1110 931 1246">◆ Authorized TimeStamps (DBT) <ul style="list-style-type: none"> <li data-bbox="367 1133 931 1160">– Displays the current status of the Authorized TimeStamps Database. <li data-bbox="367 1165 909 1219">– Press [Enter] to configure a new DBT or load additional DBT from storage devices. <li data-bbox="367 1224 675 1246">– Options available: Update, Append. <li data-bbox="335 1251 920 1387">◆ OsRecovery Signatures <ul style="list-style-type: none"> <li data-bbox="367 1274 920 1301">– Displays the current status of the OsRecovery Signature Database. <li data-bbox="367 1306 888 1361">– Press [Enter] to configure a new OsRecovery Signature or load additional OsRecovery Signature from storage devices. <li data-bbox="367 1365 675 1387">– Options available: Update, Append. |

5-8 Boot Menu

The Boot menu allows you to set the drive priority during system boot-up. BIOS setup will display an error message if the legacy drive(s) specified is not bootable.

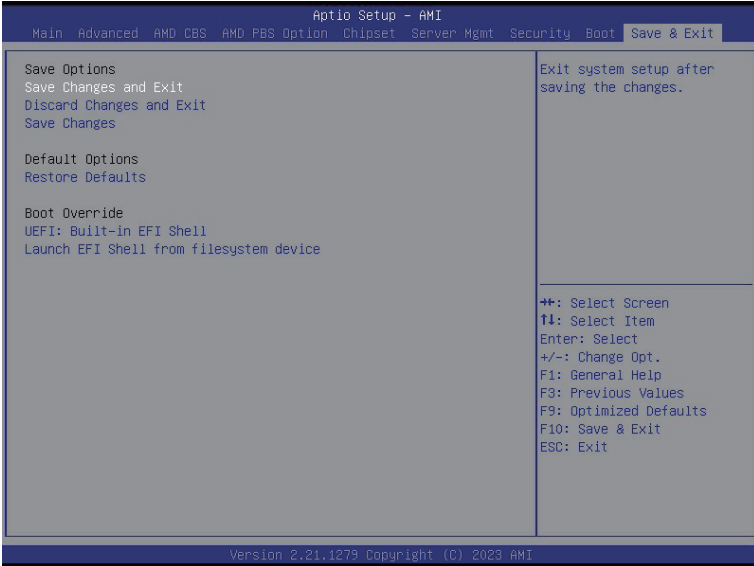


| Parameter | Description |
|-----------------------------|---|
| Boot Configuration | |
| Setup Prompt Timeout | Number of seconds to wait for setup activation key. 65535 (0xFFFF) means indefinite waiting. Press the numeric keys to input the desired values. |
| Bootup NumLock State | Enable/Disable the Bootup NumLock function. Options available: On, Off. Default setting is On . |
| Quiet Boot | Enable/Disable showing the logo during POST. Options available: Enabled, Disabled. Default setting is Enabled . |
| Setup Flash | Press [Enter] to run setup flash. |
| Dump full Setup Data | Press [Enter] to dump full setup data to file. |
| Dump non-default Setup Data | Press [Enter] to dump non-default setup data to file. |
| Restore Setup Data | Press [Enter] to restore setup data from file (cJson format). |

| Parameter | Description |
|------------------------------------|--|
| Boot mode select | Selects the boot mode. Options available: LEGACY, UEFI. Default setting is UEFI. |
| FIXED BOOT ORDER | |
| Priorities | |
| Boot Option #1 / #2 / #3 / #4 / #5 | <p>Press [Enter] to configure the boot priority. By default, the server searches for boot devices in the following sequence:</p> <ol style="list-style-type: none"> 1. Hard drive. 2. CD-COM/DVD drive. 3. USB device. 4. Network. 5. UEFI. |
| UEFI Network Drive BBS Priorities | Press [Enter] to configure the boot priority. |
| UEFI Application Boot Priorities | Press [Enter] to configure the boot priority. |

5-9 Save & Exit Menu

The Save & Exit menu displays the various options to quit from the BIOS setup. Highlight any of the exit options then press <Enter>.



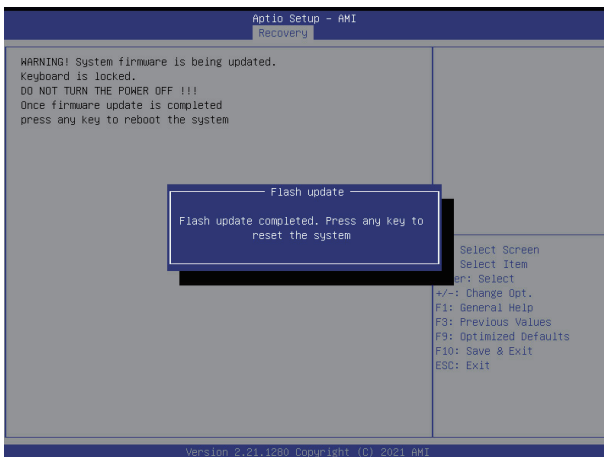
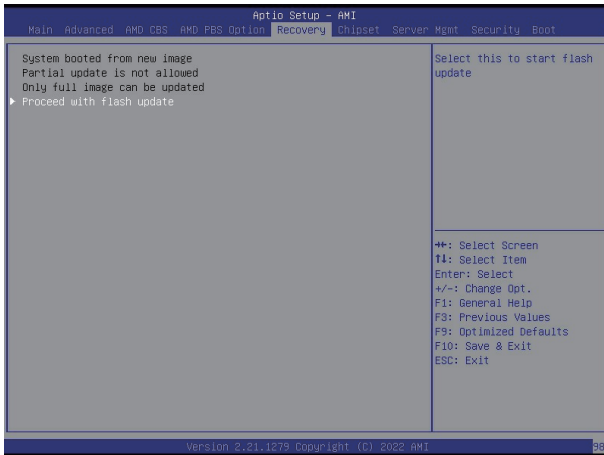
| Parameter | Description |
|---|--|
| Save Options | |
| Save Changes and Exit | Saves changes made and closes the BIOS setup. Options available: Yes, No. |
| Discard Changes and Exit | Discards changes made and exits the BIOS setup. Options available: Yes, No. |
| Save Changes | Saves changes done so far to any of the setup options. Options available: Yes, No. |
| Default Options | |
| Restore Defaults | Loads the default settings for all BIOS setup parameters. Setup Defaults are quite demanding in terms of resources consumption. If you are using low-speed memory chips or other kinds of low-performance components and you choose to load these settings, the system might not function properly. Options available: Yes, No. |
| Boot Override | Press [Enter] to configure the device as the boot-up drive. |
| Launch EFI Shell from filesystem device | Attempts to Launch EFI Shell application (Shell.efi) from one of the available file system devices. |

5-10 BIOS Recovery

The system has an embedded recovery technique. In the event that the BIOS becomes corrupt the boot block can be used to restore the BIOS to a working state. To restore your BIOS, please follow the instructions listed below:

Recovery Instruction:

1. Copy the XXX.rom to USB diskette.
2. Setting BIOS Recovery jump to enabled status.
3. Boot into BIOS recovery.
4. Run Proceed with flash update.
5. BIOS updated.



5-11 BIOS POST Beep code (AMI standard)

5-11-1 PEI Beep Codes

| # of Beeps | Description |
|------------|--|
| 1 | Memory not Installed. |
| 1 | Memory was installed twice (InstallPeiMemory routine in PEI Core called twice) |
| 2 | Recovery started |
| 3 | DXE IPL was not found |
| 3 | DXE Core Firmware Volume was not found |
| 4 | Recovery failed |
| 4 | S3 Resume failed |
| 7 | Reset PPI is not available |

5-11-2 DXE Beep Codes

| # of Beeps | Description |
|------------|---|
| 1 | Invalid password |
| 4 | Some of the Architectural Protocols are not available |
| 5 | No Console Output Devices are found |
| 5 | No Console Input Devices are found |
| 6 | Flash update is failed |
| 7 | Reset protocol is not available |
| 8 | Platform PCI resource requirements cannot be met |