

# **GIGABYTE™**

## **H273-Z80-LAN1**

## **H273-Z80-LAW1**

High Density Server - AMD EPYC™ 9004

2U 4-Node DP 24-Bay Gen4 NVMe/SATA/SAS DLC

Dual 2600W (240V) 80 PLUS Titanium redundant power supply (LAN1)

Dual 3000W (240V) 80 PLUS Titanium redundant power supply (LAW1)

## **User Manual**

Rev. 1.0

## **Copyright**

© 2023 GIGA-BYTE TECHNOLOGY CO., LTD. All rights reserved.

The trademarks mentioned in this manual are legally registered to their respective owners.

## **Disclaimer**

Information in this manual is protected by copyright laws and is the property of GIGABYTE. Changes to the specifications and features in this manual may be made by GIGABYTE without prior notice. No part of this manual may be reproduced, copied, translated, transmitted, or published in any form or by any means without GIGABYTE's prior written permission.

## **Documentation Classifications**

In order to assist in the use of this product, GIGABYTE provides the following types of documentation:

- User Manual: detailed information & steps about the installation, configuration and use of this product (e.g. motherboard, server barebones), covering hardware and BIOS.
- User Guide: detailed information about the installation & use of an add-on hardware or software component (e.g. BMC firmware, rail-kit) compatible with this product.
- Quick Installation Guide: a short guide with visual diagrams that you can reference easily for installation purposes of this product (e.g. motherboard, server barebones).

Please see the support section of the online product page to check the current availability of these documents.

## **For More Information**

For related product specifications, the latest firmware and software, and other information please visit our website at <http://www.gigabyte.com>




For GIGABYTE distributors and resellers, additional sales & marketing materials are available from our reseller portal: <http://reseller.b2b.gigabyte.com>

For further technical assistance, please contact your GIGABYTE representative or visit <https://esupport.gigabyte.com/> to create a new support ticket

For any general sales or marketing enquiries, you may also message GIGABYTE server directly by email: [server.grp@gigabyte.com](mailto:server.grp@gigabyte.com)

## Conventions

The following conventions are used in this user's guide:

|   |   |
|---|---|
|  | <b>NOTE!</b><br>Gives bits and pieces of additional information related to the current topic.           |
|  | <b>CAUTION!</b><br>Gives precautionary measures to avoid possible hardware or software problems.        |
|  | <b>WARNING!</b><br>Alerts you to any damage that might result from doing or not doing specific actions. |

## Server Warnings and Cautions

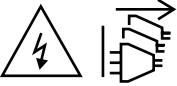
Before installing a server, be sure that you understand the following warnings and cautions.



### **WARNING!**

**To reduce the risk of electric shock or damage to the equipment:**

- Do not disable the power cord grounding plug. The grounding plug is an important safety feature.
- Plug the power cord into a grounded (earthed) electrical outlet that is easily accessible at all times.
- Unplug all the power cords from the power supplies to disconnect power to the equipment.



### **WARNING!**

**To reduce the risk of personal injury from hot surfaces, allow the drives and the internal system components to cool before touching them.**



### **WARNING!**

**This server is equipped with high speed fans. Keep away from hazardous moving fan blades during servicing.**



### **WARNING!**

**This equipment is not suitable for use in locations where children are likely to be present.**



### **WARNING!**

**This equipment is intended to be used in Restrict Access Location. The access can only be gained by Skilled person.**

**Only authorized by well trained professional person can access the restrict access location.**



### **CAUTION!**

- Do not operate the server for long periods with the access panel open or removed. Operating the server in this manner results in improper airflow and improper cooling that can lead to thermal damage.
- Danger of explosion if battery is incorrectly replaced.
- Replace only with the same or equivalent type recommended by the manufacturer.
- Dispose of used batteries according to the manufacturer's instructions.

## Electrostatic Discharge (ESD)



### CAUTION!

ESD CAN DAMAGE DRIVES, BOARDS, AND OTHER PARTS. WE RECOMMEND THAT YOU PERFORM ALL PROCEDURES AT AN ESD WORKSTATION. IF ONE IS NOT AVAILABLE, PROVIDE SOME ESD PROTECTION BY WEARING AN ANTI-STATIC WRIST STRAP ATTACHED TO CHASSIS GROUND -- ANY UNPAINTED METAL SURFACE -- ON YOUR SERVER WHEN HANDLING PARTS.

Always handle boards carefully. They can be extremely sensitive to ESD. Hold boards only by their edges without any component and pin touching. After removing a board from its protective wrapper or from the system, place the board component side up on a grounded, static free surface. Use a conductive foam pad if available but not the board wrapper. Do not slide board over any surface.

**System power on/off:** To remove power from system, you must remove the system from rack. Make sure the system is removed from the rack before opening the chassis, adding, or removing any non hot-plug components.

**Hazardous conditions, devices and cables:** Hazardous electrical conditions may be present on power, telephone, and communication cables. Turn off the system and disconnect the cables attached to the system before servicing it. Otherwise, personal injury or equipment damage can result.

**Electrostatic discharge (ESD) and ESD protection:** ESD can damage drives, boards, and other parts. We recommend that you perform all procedures in this chapter only at an ESD workstation. If one is not available, provide some ESD protection by wearing an antistatic wrist strap attached to chassis ground (any unpainted metal surface on the server) when handling parts.

**ESD and handling boards:** Always handle boards carefully. They can be extremely sensitive to electrostatic discharge (ESD). Hold boards only by their edges. After removing a board from its protective wrapper or from the system, place the board component side up on a grounded, static free surface. Use a conductive foam pad if available but not the board wrapper. Do not slide board over any surface.

**Installing or removing jumpers:** A jumper is a small plastic encased conductor that slips over two jumper pins. Some jumpers have a small tab on top that can be gripped with fingertips or with a pair of fine needle nosed pliers. If the jumpers do not have such a tab, take care when using needle nosed pliers to remove or install a jumper; grip the narrow sides of the jumper with the pliers, never the wide sides. Gripping the wide sides can damage the contacts inside the jumper, causing intermittent problems with the function controlled by that jumper. Take care to grip with, but not squeeze, the pliers or other tool used to remove a jumper, or the pins on the board may bend or break.

**CAUTION!**

Risk of explosion if battery is replaced incorrectly or with an incorrect type. Replace the battery only with the same or equivalent type recommended by the manufacturer. Dispose of used batteries according to the manufacturer's instructions.

# Table of Contents

|  |    |
|--|----|
| Chapter 1 Hardware Installation .....                    | 11 |
| 1-1 Installation Precautions .....                       | 11 |
| 1-2 Product Specifications .....                         | 12 |
| 1-3 System Block Diagram .....                           | 17 |
| 1-4 CMC Hub Integrated Architecture .....                | 18 |
| 1-5 Multiplexing Management Topology .....               | 18 |
| Chapter 2 System Appearance .....                        | 19 |
| 2-1 Front View .....                                     | 19 |
| 2-2 Rear View .....                                      | 20 |
| 2-3 Front Panel LED and Buttons .....                    | 21 |
| 2-4 RoT LEDs .....                                       | 22 |
| 2-5 Rear System LAN LEDs .....                           | 24 |
| 2-6 Power Supply Unit LED .....                          | 25 |
| 2-7 Hard Disk Drive LEDs .....                           | 26 |
| Chapter 3 System Hardware Installation .....             | 27 |
| 3-1 Installing the Hard Disk Drive .....                 | 28 |
| 3-2 Removing the Node .....                              | 29 |
| 3-3 Removing Chassis Cover .....                         | 30 |
| 3-4 Liquid Cooling Assembly Information .....            | 31 |
| 3-4-1 Liquid Cooling Specifications .....                | 32 |
| 3-5 Removing the Coolant Pipe Module .....               | 33 |
| 3-6 Installing the CPU and the Coolant Pipe Module ..... | 35 |
| 3-7 Installing Memory .....                              | 38 |
| 3-7-1 Twelves Channel Memory Configuration .....         | 38 |
| 3-7-2 Installing the Memory .....                        | 39 |
| 3-7-3 Processor and Memory Module Matrix Table .....     | 39 |
| 3-7-4 Memory Population Table .....                      | 40 |
| 3-8 Installing the PCI Expansion Card .....              | 41 |
| 3-9 Removing and Installing the Rear IO Card .....       | 43 |
| 3-10 Installing the Mezzanine Card .....                 | 44 |
| 3-10-1 Installing the OCP 3.0 Mezzanine Card .....       | 44 |
| 3-11 Replacing the Fan Assembly .....                    | 45 |
| 3-12 Replacing the Power Supply .....                    | 46 |

|           |  |     |
|-----------|--|-----|
| 3-13      | Cable Routing .....                            | 47  |
| Chapter 4 | Motherboard Components .....                   | 52  |
| 4-1       | Motherboard Components .....                   | 52  |
| 4-2       | Jumper Setting .....                           | 53  |
| 4-3       | Backplane Board Storage Connector.....         | 54  |
| 4-3-1     | CBPH081.....                                   | 54  |
| Chapter 5 | BIOS Setup .....                               | 55  |
| 5-1       | The Main Menu .....                            | 57  |
| 5-2       | Advanced Menu .....                            | 60  |
| 5-2-1     | Trusted Computing .....                        | 62  |
| 5-2-2     | PSP Firmware Versions.....                     | 63  |
| 5-2-3     | Legacy Video Select.....                       | 64  |
| 5-2-4     | AST2600 Super IO Configuration.....            | 65  |
| 5-2-5     | S5 RTC Wake Settings.....                      | 67  |
| 5-2-6     | Serial Port Console Redirection .....          | 68  |
| 5-2-7     | CPU Configuration.....                         | 72  |
| 5-2-8     | PCI Subsystem Settings.....                    | 73  |
| 5-2-9     | USB Configuration.....                         | 75  |
| 5-2-10    | Network Stack Configuration .....              | 77  |
| 5-2-11    | NVMe Configuration .....                       | 78  |
| 5-2-12    | SATA Configuration.....                        | 79  |
| 5-2-13    | Graphic Output Configuration.....              | 80  |
| 5-2-14    | AMD Mem Configuration Status .....             | 81  |
| 5-2-15    | Tls Auth Configuration .....                   | 82  |
| 5-2-16    | RAM Disk Configuration .....                   | 83  |
| 5-2-17    | iSCSI Configuration .....                      | 84  |
| 5-2-18    | Intel(R) I350 Gigabit Network Connection ..... | 85  |
| 5-2-19    | VLAN Configuration.....                        | 87  |
| 5-2-20    | MAC IPv4 Network Configuration.....            | 88  |
| 5-2-21    | MAC IPv6 Network Configuration.....            | 89  |
| 5-3       | AMD CBS Menu.....                              | 90  |
| 5-3-1     | CPU Common Options .....                       | 91  |
| 5-3-2     | DF Common Options.....                         | 97  |
| 5-3-3     | UMC Common Options .....                       | 103 |
| 5-3-4     | NBIO Common Options.....                       | 123 |
| 5-3-5     | FCH Common Options .....                       | 133 |
| 5-3-6     | NTB Common Options .....                       | 142 |
| 5-3-7     | SOC Miscellaneous Control .....                | 143 |
| 5-3-8     | Workload Tuning.....                           | 145 |
| 5-3-9     | CXL Common Options.....                        | 146 |



|        |  |     |
|--------|--|-----|
| 5-4    | AMD PBS Menu .....                       | 147 |
| 5-4-1  | RAS .....                                | 148 |
| 5-5    | Chipset Setup Menu .....                 | 150 |
| 5-5-1  | North Bridge .....                       | 151 |
| 5-5-2  | Fabric Resource .....                    | 152 |
| 5-6    | Server Management Menu .....             | 154 |
| 5-6-1  | System Event Log .....                   | 156 |
| 5-6-2  | View FRU Information .....               | 157 |
| 5-6-3  | BMC Network Configuration .....          | 158 |
| 5-6-4  | IPv6 BMC Network Configuration .....     | 159 |
| 5-7    | Security Menu .....                      | 160 |
| 5-7-1  | Secure Boot .....                        | 161 |
| 5-8    | Boot Menu .....                          | 163 |
| 5-9    | Save & Exit Menu .....                   | 165 |
| 5-10   | BIOS Recovery .....                      | 166 |
| 5-11   | BIOS POST Beep code (AMI standard) ..... | 167 |
| 5-11-1 | PEI Beep Codes .....                     | 167 |
| 5-11-2 | DXE Beep Codes .....                     | 167 |

This page intentionally left blank

# Chapter 1 Hardware Installation

## 1-1 Installation Precautions

The motherboard/system contain numerous delicate electronic circuits and components which can become damaged as a result of electrostatic discharge (ESD). Prior to installation, carefully read the user manual and follow these procedures:

- Prior to installation, do not remove or break motherboard S/N (Serial Number) sticker or warranty sticker provided by your dealer. These stickers are required for warranty validation.
- Always remove the AC power by unplugging the power cord from the power outlet before installing or removing the motherboard or other hardware components.
- When connecting hardware components to the internal connectors on the motherboard, make sure they are connected tightly and securely.
- When handling the motherboard, avoid touching any metal leads or connectors.
- It is best to wear an electrostatic discharge (ESD) wrist strap when handling electronic components such as a motherboard, CPU or memory. If you do not have an ESD wrist strap, keep your hands dry and first touch a metal object to eliminate static electricity.
- Prior to installing the motherboard, please have it on top of an antistatic pad or within an electrostatic shielding container.
- Before unplugging the power supply cable from the motherboard, make sure the power supply has been turned off.
- Before turning on the power, make sure the power supply voltage has been set according to the local voltage standard.
- Before using the product, please verify that all cables and power connectors of your hardware components are connected.
- To prevent damage to the motherboard, do not allow screws to come in contact with the motherboard circuit or its components.
- Make sure there are no leftover screws or metal components placed on the motherboard or within the computer casing.
- Do not place the computer system on an uneven surface.
- Do not place the computer system in a high-temperature environment.
- Turning on the computer power during the installation process can lead to damage to system components as well as physical harm to the user.
- If you are uncertain about any installation steps or have a problem related to the use of the product, please consult a certified computer technician.

# 1-2 Product Specifications



**NOTE:**

We reserve the right to make any changes to the product specifications and product-related information without prior notice.

|   |                         |   |
|---|-------------------------|---|
|   | <b>System Dimension</b> | <ul style="list-style-type: none"> <li>◆ 2U 4-Node - Rear access</li> <li>◆ 440 (W) x 87.5 (H) x 877(D) mm</li> </ul>   |
|   | <b>CPU</b>              | <ul style="list-style-type: none"> <li>◆ AMD EPYC™ 9004 Series processors</li> <li>◆ AMD EPYC™ 9004 Series processors with AMD 3D V-Cache™ Technology</li> <li>◆ Dual processor, 5nm technology</li> <li>◆ Up to 128-core, 256 threads per processor</li> <li>◆ cTDP up to 400W</li> </ul>  |
| <p>NOTE: If only 1 CPU is installed, some PCIe or memory functions might be unavailable</p> |                         |   |
|   | <b>Socket</b>           | <p><b>Per Node:</b></p> <ul style="list-style-type: none"> <li>◆ 2 x LGA 6096</li> </ul> <p><b>Total:</b></p> <ul style="list-style-type: none"> <li>◆ 8 x LGA 6096</li> <li>◆ Socket SP5</li> </ul>  |
|   | <b>Chipset</b>          | <ul style="list-style-type: none"> <li>◆ System on Chip</li> </ul>  |
|   | <b>Security</b>         | <ul style="list-style-type: none"> <li>◆ UEFI Secure Boot</li> <li>◆ Silicon root of trust</li> <li>◆ SNMP Support: V3</li> </ul>   |
|   | <b>Memory</b>           | <p><b>Per Node:</b></p> <ul style="list-style-type: none"> <li>◆ 24 x DIMM slots</li> </ul> <p><b>Total:</b></p> <ul style="list-style-type: none"> <li>◆ 96 x DIMM slots</li> <li>◆ DDR5 memory supported only</li> <li>◆ 12-Channel memory architecture</li> <li>◆ RDIMM modules up to 96GB supported</li> <li>◆ 3DS RDIMM modules up to 256GB supported</li> <li>◆ Memory speed: Up to 4800 MHz</li> </ul>   |
|   | <b>LAN</b>              | <p><b>Per Node:</b></p> <ul style="list-style-type: none"> <li>◆ 2 x 1GbE LAN ports (1 x Intel® I350-AM2)</li> <li>◆ Supported NCSI function</li> <li>◆ 1 x Dedicated management port</li> </ul> <p><b>Total:</b></p> <ul style="list-style-type: none"> <li>◆ 8 x 1GbE LAN ports (1 x Intel® I350-AM2)</li> <li>◆ Supported NCSI function</li> <li>◆ 4 x Dedicated management ports</li> </ul> <p><b>*Spanning Tree Protocol (STP) must be enabled in LAN switch function if using ring topology</b></p> |



## Video

- ◆ Integrated in Aspeed® AST2600
- ◆ 2D Video Graphic Adapter with PCIe bus interface
- ◆ 1920x1200@60Hz 32bpp, DDR4 SDRAM

Management chip on CMC board:

- ◆ Integrated in Aspeed® AST2520A2-GP



## Storage

### Per node:

- ◆ 6 x 2.5" Gen4 NVMe/SATA/SAS hot-swappable bays
- ◆ (NVMe from CPU\_1, SATA from CPU\_0)

### Total:

- ◆ 24 x 2.5" Gen4 NVMe/SATA/SAS hot-swappable bays

### SAS card is required for SAS devices support



## SAS

- ◆ Supported via add-on SAS Card



## Expansion Slots

### Per node:

#### Riser Card CRSH01Q:

- ◆ 1 x PCIe x16 (Gen5 x16) low-profile slot, from CPU\_0

1 x OCP 3.0 slot with PCIe Gen5 x16 bandwidth, from CPU\_0  
Supports NCSI function

#### Optional 1 x M.2 slot (CMTP192):

- ◆ M-key
- ◆ PCIe Gen4 x4, from CPU\_0
- ◆ Supports 2280/22110 cards

### Total:






#### Riser Card CRSH01Q x 4:

- ◆ 4 x PCIe x16 (Gen5 x16) low-profile slots, from CPU\_0

4 x OCP 3.0 slots with PCIe Gen5 x16 bandwidth, from CPU\_0  
Support NCSI function

#### Optional 4 x M.2 slot (CMTP192):

- ◆ M-key
- ◆ PCIe Gen4 x4, from CPU\_0
- ◆ Supports 2280/22110 cards

|   |               |   |
|---|---------------|---|
|    | Internal I/O  | <p><b>Per Node:</b></p> <ul style="list-style-type: none"> <li>◆ 1 x TPM header</li> <li>◆ 1 x OCP slot</li> </ul>  |
|    | Front I/O     | <p><b>Per node:</b></p> <ul style="list-style-type: none"> <li>◆ 1 x Power button with LED</li> <li>◆ 1 x ID button with LED</li> <li>◆ 1 x Status LED</li> <li>◆ 1 x System reset button</li> </ul> <p><b>Total:</b></p> <ul style="list-style-type: none"> <li>◆ 4 x Power buttons with LED</li> <li>◆ 4 x ID buttons with LED</li> <li>◆ 4 x Status LEDs</li> <li>◆ 4 x System reset buttons</li> <li>◆ *1 x CMC status LED</li> <li>◆ *1 x CMC reset button</li> </ul> <p><b>*Only one CMC status LED and reset button per system</b></p> |
|    | Rear I/O      | <p><b>Per node:</b></p> <ul style="list-style-type: none"> <li>◆ 2 x USB 3.2 Gen1</li> <li>◆ 1 x Mini-DP</li> <li>◆ 2 x RJ45</li> <li>◆ 1 x RJ45 MLAN</li> <li>◆ 1 x Node Status LED</li> </ul> <p><b>Total:</b></p> <ul style="list-style-type: none"> <li>◆ 8 x USB 3.2 Gen1</li> <li>◆ 4 x Mini-DP</li> <li>◆ 8 x RJ45</li> <li>◆ 4 x MLAN</li> <li>◆ 4 x Node Status LEDs</li> </ul>  |
|  | Backplane I/O | <ul style="list-style-type: none"> <li>◆ Speed and bandwidth:</li> <li>◆ PCIe Gen4 x4 or SATA 6Gb/s or SAS 12Gb/s</li> </ul>  |
|  | TPM           | <ul style="list-style-type: none"> <li>◆ 1 x TPM header with SPI interface</li> <li>◆ Optional TPM2.0 kit: CTM010</li> </ul>  |



## Power Supply

### **H273-Z80-LAN1**

- ◆ Dual 2600W (240V) 80 PLUS Titanium redundant power supply

#### AC Input:

- ◆ 100-127V~/ 15A, 50-60Hz
- ◆ 200-240V~/ 15A, 50-60Hz

#### DC Input:

- ◆ 240Vdc/ 15A

#### DC Output:

- ◆ Max 1000W/ 100-127V~
- ◆ + 12.2V/ 82A
- ◆ + 12.2Vsb/ 4.5A
- ◆ Max 2600W/ 200-220V~
- ◆ + 12.2V/ 213A
- ◆ + 12.2Vsb/ 4.5A

NOTE! The System power supply requires C19 type power cord

### **H273-Z80-LAW1**

- ◆ Dual 3000W (240V) 80 PLUS Titanium redundant power supply

#### AC Input:

- ◆ 100-127V~/ 16A, 50-60Hz
- ◆ 200-240V~/ 16A, 50-60Hz



#### DC Input:

- ◆ 240Vdc/ 16A

#### DC Output:

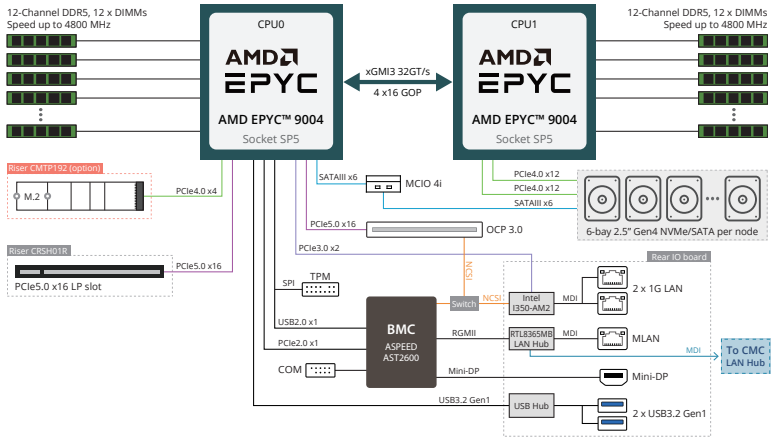
- ◆ Max 1200W/ 100-127V~
- ◆ + 12.2V/ 98.36A
- ◆ + 12.2Vsb/ 3A
- ◆ Max 2600W/ 200-207V~
- ◆ + 12.2V/ 213A
- ◆ + 12.2Vsb/ 3A
- ◆ - Max 3000W/ 208-240V~
- ◆ + 12.2V/ 245.9A
- ◆ + 12.2Vsb/ 3A

NOTE! The System power supply requires C19 type power cord

|   |                      |   |
|---|----------------------|---|
|  | System Management    | <ul style="list-style-type: none"> <li>◆ Aspeed® AST2600 management controller</li> <li>◆ GIGABYTE Management Console (AMI MegaRAC SP-X) web interface</li> <br/> <li>◆ Dashboard</li> <li>◆ HTML5 KVM</li> <li>◆ Sensor Monitor (Voltage, RPM, Temperature, CPU Status ...etc.)</li> <li>◆ Sensor Reading History Data</li> <li>◆ FRU Information</li> <li>◆ SEL Log in Linear Storage / Circular Storage Policy</li> <li>◆ Hardware Inventory</li> <li>◆ Fan Profile</li> <li>◆ System Firewall</li> <li>◆ Power Consumption</li> <li>◆ Power Control</li> <li>◆ Advanced power capping</li> <li>◆ LDAP / AD / RADIUS Support</li> <li>◆ Backup &amp; Restore Configuration</li> <li>◆ Remote BIOS/BMC/CPLD Update</li> <li>◆ Event Log Filter</li> <li>◆ User Management</li> <li>◆ Media Redirection Settings</li> <li>◆ PAM Order Settings</li> <li>◆ SSL Settings</li> <li>◆ SMTP Settings</li> </ul> |
|  | Operating Properties | <ul style="list-style-type: none"> <li>◆ Operating temperature: 10°C to 35°C</li> <li>◆ Operating humidity: 8-80% (non-condensing)</li> <li>◆ Non-operating temperature: -40°C to 60°C</li> <li>◆ Non-operating humidity: 20%-95% (non-condensing)</li> </ul>   |

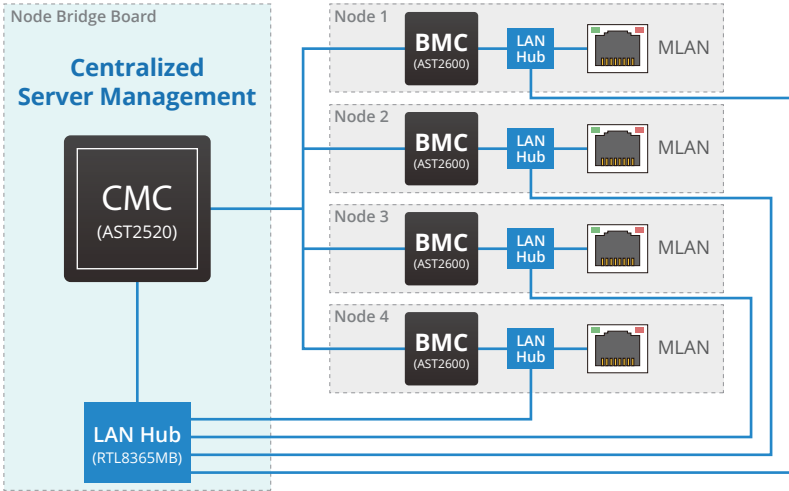


# 1-3 System Block Diagram



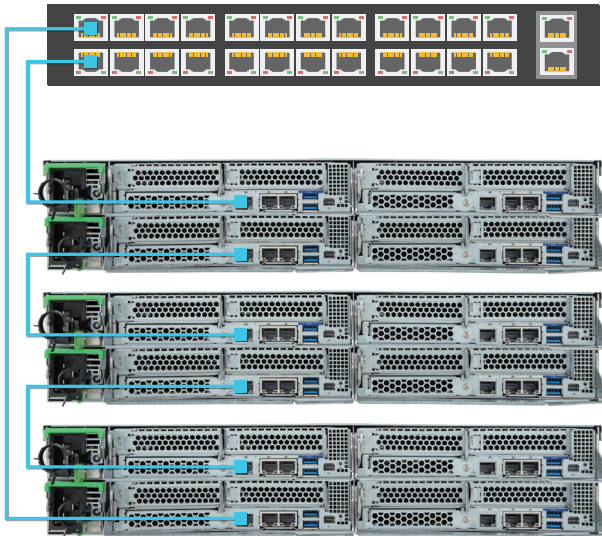
• Please Go to Chapter 4 Motherboard Components for Riser Slot information.

## 1-4 CMC Hub Integrated Architecture




 To access CMC, connect the management LAN port of each node.

## 1-5 Multiplexing Management Topology

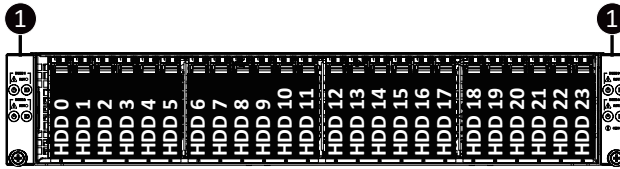
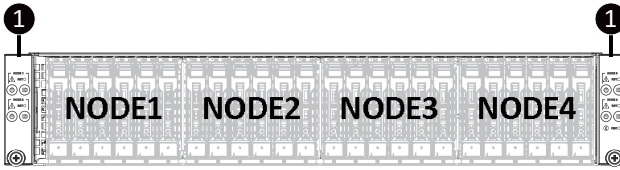


**Multiplexing Management Example**

 Spanning Tree Protocol (STP) must be enabled in LAN switch function if using ring topology.

# Chapter 2 System Appearance

## 2-1 Front View

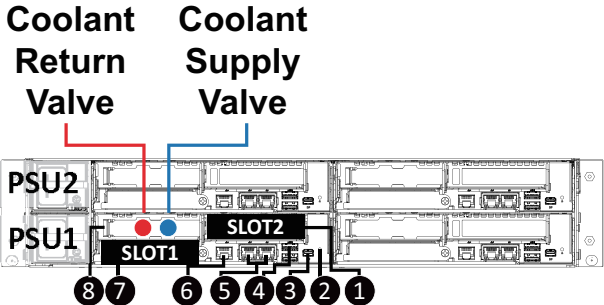


| No.  | Description                  |
|--|------------------------------|
| 1.   | Front Panel LEDs and buttons |
| <b>NOTE!</b> Drives with green latches support NVMe. |                              |



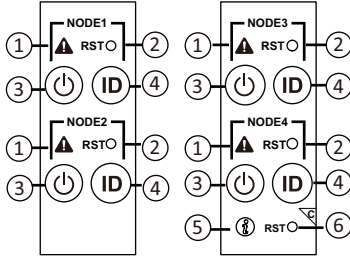
- Please Go to Chapter 2-3 Front Panel LED and Buttons for detail description of function LEDs.

2-2 Rear View



| No. | Description                    |
|-----|--------------------------------|
| 1.  | PCIe Slot                      |
| 2.  | Node System Status LED         |
| 3.  | Mini DP Port                   |
| 4.  | 2 x USB 3.2 Gen1               |
| 5.  | GbE LAN Port x 2               |
| 6.  | BMC Server Management LAN Port |
| 7.  | OCP 3.0 Slot (SFF Type)        |
| 8.  | Coolant Pipe Slot              |

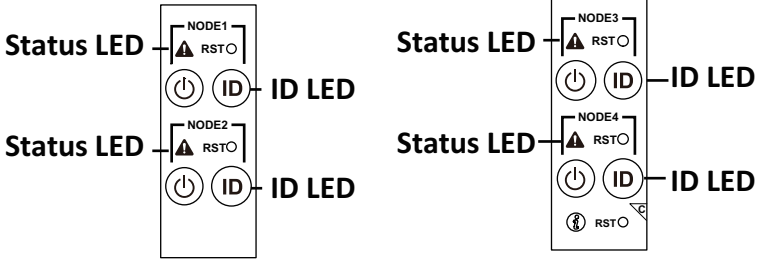
## 2-3 Front Panel LED and Buttons



| No. | Name                                 | Color | Status | Description   |
|-----|--------------------------------------|-------|--------|---|
| 1.  | System Status LED <sup>(Note)</sup>  |       |        | This LED represents the RoT function LED behavior. Please see the following section for detail LED behavior.  |
| 2.  | Reset Button                         | --    | --     | Press this button to reset the system.  |
| 3.  | Power button with LED                | Green | On     | System is powered on  |
|     |                                      | Green | Blink  | System is in ACPI S1 state (sleep mode)   |
|     |                                      | N/A   | Off    | <ul style="list-style-type: none"> <li>System is not powered on or in ACPI S5 state (power off)</li> <li>System is in ACPI S4 state (hibernate mode)</li> </ul> |
| 4.  | ID Button with LED <sup>(Note)</sup> |       |        | This LED represents the RoT function LED behavior. Please see the following section for detail LED behavior.  |
| 5.  | Enclosure                            | Green | On     | System is operating normally.   |
|     |                                      | Amber | On     | Critical condition, may indicates:<br>Power module failure<br>System fan failure<br>Power supply voltage issue<br>System temperature                            |
|     |                                      |       | Blink  | Non-critical condition, may indicates:<br>Redundant power module failure<br>Temperature and voltage issue   |
| 6.  | CMC Reset Button                     | --    | --     | Press this button to reset the CMC.   |

**(Note)** If your server features RoT function, please see the following section for detail LED behavior.

## 2-4 RoT LEDs



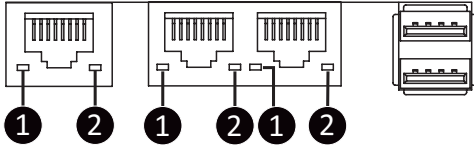
| LED on Front panel <sup>(Note5)</sup>                   |                                   |                                    |
|---|-----------------------------------|------------------------------------|
|   | ID LED                            | Status LED                         |
| <b>EC Firmware (FW) Authentication fail or not exit</b> |                                   |                                    |
| EC FW is broken or not exit <sup>(Note1)</sup>          | OFF                               | OFF                                |
| <b>Authenticating/Recovering BMC/BIOS Images</b>        |                                   |                                    |
| Authenticating Images                                   | OFF                               | OFF                                |
| Recovering BMC Active Flash                             | Blinks Blue<br>4 times per second | Blinks Green<br>4 times per second |
| Recovering BIOS Active Flash                            | Blinks Blue<br>4 times per second | Blinks Amber<br>4 times per second |
| <b>Authentication (AUTH) Pass</b>                       |                                   |                                    |
| Recovering BIOS Active Flash                            | OFF                               | OFF                                |
| BMC : AUTH pass after doing recovery                    | OFF                               | OFF                                |
| BIOS : AUTH pass after doing recovery                   | OFF                               | OFF                                |
| BMC : AUTH pass after doing recovery                    | OFF                               | OFF                                |
| BIOS : AUTH pass  | OFF                               | OFF                                |
| BMC : AUTH pass   | OFF                               | OFF                                |
| BIOS : AUTH pass after doing recovery                   | OFF                               | OFF                                |
| <b>Active Flash Authentication (AUTH) Fail</b>          |                                   |                                    |
| BMC : AUTH Fail <sup>(Note2)</sup>                      | Blinks Blue<br>1 time per second  | Blinks Green<br>1 time per second  |
| BIOS : AUTH fail <sup>(Note2)</sup>                     | Blinks Blue<br>1 time per second  | Blinks Amber<br>1 time per second  |

|   |  |   |
|---|--|---|
| <b>BMC : AUTH fail after doing recovery</b> <sup>(Note3)</sup>  | Blinks Blue<br>2 times per second<br>[ON OFF OFF]    | Blinks Green<br>2 times per second<br>[ON OFF OFF]    |
| <b>BIOS : AUTH fail after doing recovery</b> <sup>(Note3)</sup> | Blinks Blue<br>2 times per second<br>[ON OFF OFF]    | Blinks Amber<br>2 times per second<br>[ON OFF OFF]    |
| <b>Backup Flash Authentication Fail</b> <sup>(Note4)</sup>      |  |   |
| <b>BMC : AUTH fail</b>  | Blinks Blue<br>2 times per second<br>[ON OFF ON OFF] | Blinks Green<br>2 times per second<br>[ON OFF ON OFF] |
| <b>BIOS : AUTH fail</b>   | Blinks Blue<br>2 times per second<br>[ON OFF ON OFF] | Blinks Amber<br>2 times per second<br>[ON OFF ON OFF] |

## NOTE!

- EC FW is broken or not exited result in Microchip CEC1702 cannot load EC FW for authentication.
- (1) Authentication fail include below scenarios  
Configuration table is missing or modified  
Public key is missing or modified  
Protected area or signature is modified  
Flash empty
- if active flash is still authentication failed after recovery sequence, Microchip CEC1702 stop the process and showing LED behavior.
- If backup flash authentication is failed cause by configuration table, public key or protected area is broken. Microchip CEC1702 stop the process and showing LED behavior.
- Front panel LED is controlled by BMC or Microchip CEC1702. Once Microchip CEC1702 is working(Auth or recovery), the front panel LED is controlled by Microchip CEC1702 and vice versa.

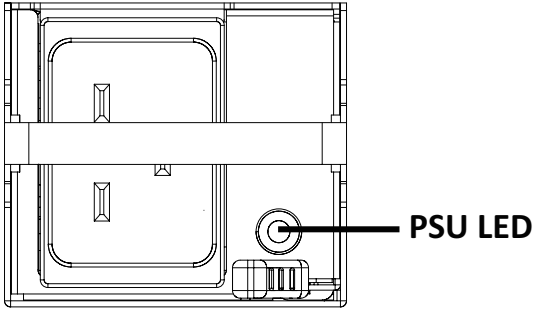
## 2-5 Rear System LAN LEDs



| No. | Name                   | Color  | Status | Description                                    |
|-----|------------------------|--------|--------|--|
| 1.  | 1GbE Speed LED         | Yellow | On     | 1Gbps data rate                                |
|     |                        | Green  | On     | 100 Mbps data rate                             |
|     |                        | N/A    | Off    | 10 Mbps data rate                              |
| 2.  | 1GbE Link/Activity LED | Green  | On     | Link between system and network or no access   |
|     |                        |        | Blink  | Data transmission or receiving is occurring    |
|     |                        | N/A    | Off    | No data transmission or receiving is occurring |

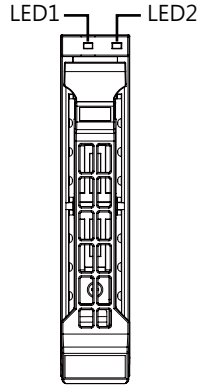


## 2-6 Power Supply Unit LED



| State              | Description   |
|--------------------|---|
| OFF                | No AC power to all power supplies   |
| 1Hz Green Blinking | AC present / only standby on / Cold redundant mode  |
| 2Hz Green Blinking | Power supply firmware update mode   |
| Amber              | AC cord unplugged or AC power lost; with a second power supply in parallel still with AC input power                      |
|                    | Power supply critical event causing shut down: failure, OCP, OVP, fan failure and UVP                                     |
| 1Hz Amber Blinking | Power supply warning events where the power supply continues to operate: high temp, high power, high current and slow fan |

## 2-7 Hard Disk Drive LEDs



| RAID SKU   |   | LED1  | Locate | HDD Fault | Rebuilding        | HDD Access | HDD Present (No Access) |
|--|---|-------|--------|-----------|-------------------|------------|-------------------------|
| No RAID configuration<br>(via HBA)                       | Disk LED<br>(LED on Back Panel)         | Green | ON(*1) | OFF       |                   | BLINK (*2) | OFF                     |
|  |   | Amber | OFF    | OFF       |                   | OFF        | OFF                     |
|  | Removed HDD Slot<br>(LED on Back Panel) | Green | ON(*1) | OFF       |                   | --         | --                      |
|  |   | Amber | OFF    | OFF       |                   | --         | --                      |
| RAID configuration<br>(via HW RAID Card or SW RAID Card) | Disk LED                                | Green | ON     | OFF       |                   | BLINK (*2) | OFF                     |
|  |   | Amber | OFF    | ON        | (Low Speed: 2 Hz) | OFF        | OFF                     |
|  | Removed HDD Slot                        | Green | ON(*1) | OFF       | (*3)              | --         | --                      |
|  |   | Amber | OFF    | ON        | (*3)              | --         | --                      |

| LED 2 | HDD Present | No HDD |
|-------|-------------|--------|
| Green | ON          | OFF    |

NOTE:

\*1: Depends on HBA/Utility Spec.

\*2: Blink cycle depends on HDD's activity signal.

\*3: If HDD is pulled out during rebuilding, the disk status of this HDD is regarded as faulty.

## Chapter 3 System Hardware Installation



### Pre-installation Instructions

Computer components and electronic circuit boards can be damaged electrostatic discharge. Working on computers that are still connected to a power supply can be extremely dangerous. Follow the simple guidelines below to avoid damage to your computer or injury to yourself.

- Always disconnect the computer from the power outlet whenever you are working inside the computer case.
- If possible, wear a grounded wrist strap when you are working inside the computer case. Alternatively, discharge any static electricity by touching the bare metal system of the computer case, or the bare metal body of any other grounded appliance.
- Hold electronic circuit boards by the edges only. Do not touch the components on the board unless it is necessary to do so. Do not flex or stress the circuit board.
- Leave all components inside the static-proof packaging until you are ready to use the component for the installation.

### 3-1 Installing the Hard Disk Drive

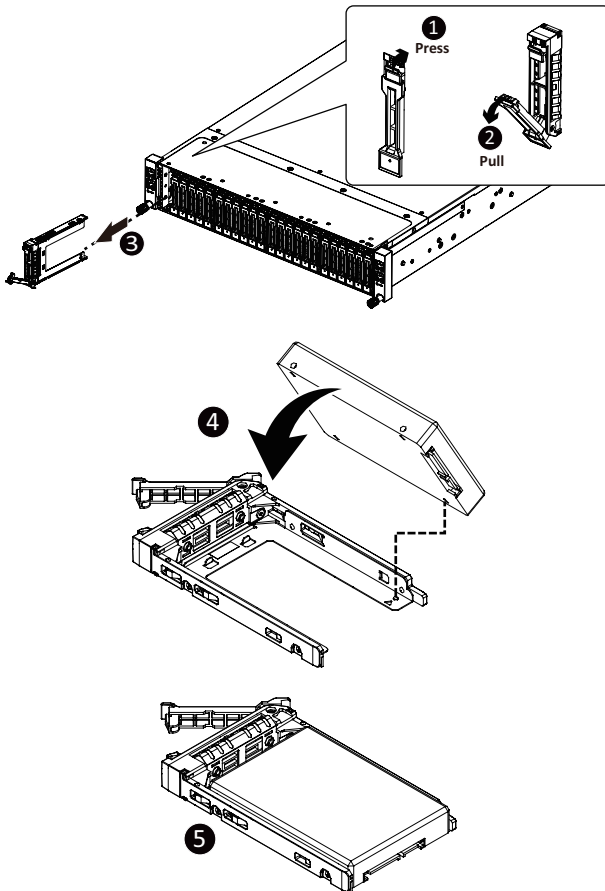


Read the following guidelines before you begin to install the Hard disk drive:

- Take note of the drive tray orientation before sliding it out.
- The tray will not fit back into the bay if inserted incorrectly.
- Make sure that the HDD is connected to the HDD connector on the backplane.

Follow these instructions to install the Hard disk drive:

1. Press the release button.
2. Extend the locking lever.
3. Pull the locking lever to remove the HDD tray.
4. Align the hard disk drive with the positioning stud on the HDD tray.
5. Slide hard disk drive into the blank HDD tray.
6. Reinsert the HDD tray into the slot and close the locking lever.



## 3-2 Removing the Node

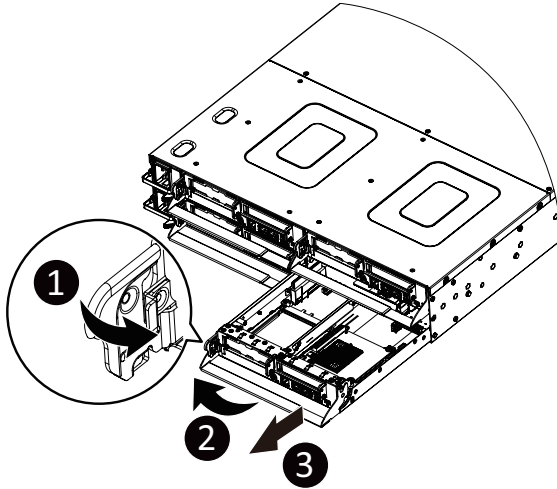


Read the following guidelines before you begin to replace a node:

- To make sure the system operates normally, please power off only the node that will be replaced or reconfigured.

Follow these instructions to remove a node:

1. Press the release latch while simultaneously pushing down the tray handle for the node.
2. Pull the node out of the system.
3. To install the node, push the node back into the system.



### 3-3 Removing Chassis Cover

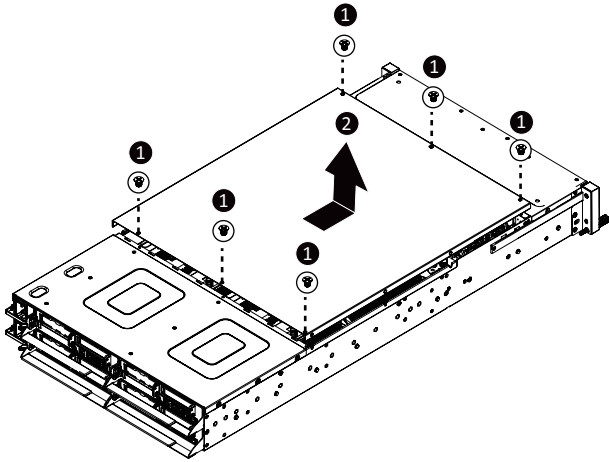


Before you remove or install the system cover

- Make sure the system is not turned on or connected to AC power.

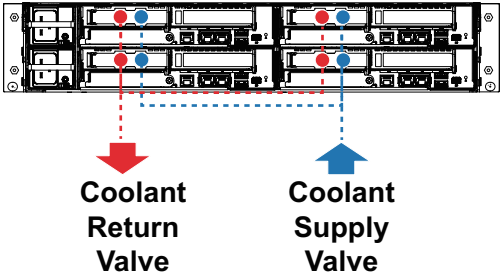
Follow these instructions to remove the system cover:

1. Loosen and remove the six screws securing the back cover.
2. Slide the cover to the rear of the system and remove the cover in the direction of the arrow.

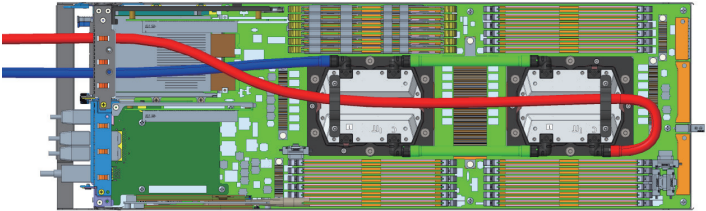


### 3-4 Liquid Cooling Assembly Information

The liquid cooling assembly is designed to capture heat from the processors in the node and cool the components. The coolant flow for the assembly is produced by the eight quick disconnects at the rear of the server chassis.



The flow of the coolant is shown below:



| Flow Order | Component         |
|------------|-------------------|
| First      | CPU1 Cold Plate   |
| Second     | CPU0 Cold Plate   |
| Third      | To coolant return |

### 3-4-1 Liquid Cooling Specifications

The cold plate assembly in the liquid cooling assembly mounts directly on top of the processors.

The retention mechanism for installation on top of the processors is integrated into the cold plate. The liquid coolant contained within the tubes, is a mixture of demineralized water and propylene glycol with the following beneficial features: Anti-Freeze, Anti-Corrosion and Anti Bacterial. The following table lists the features and specifications of the liquid cooling assembly.

| Specification                | Value                         |
|------------------------------|-------------------------------|
| Cold plate material          | Copper                        |
| Thermal Interface Material   | Dowsil TC-5622                |
| Operating liquid temperature | Minimum: 2°C<br>Maximum: 65°C |
| Operating Air temperature    | 40°C                          |
| Coolant Flow Rate            | 1.2~1.5 l/min (per node)      |
| Operating Humidity           | 5 - 95%                       |
| Storage Temperature          | -40°C to 70°C                 |
| Storage Humidity             | 5 - 95%                       |
| <b>Dimensions</b>            |                               |
| Height                       | 29 mm                         |
| Weight                       | 2.72 lbs (1235g per node)     |

**NOTE:** In the event that the room's relative humidity exceeds 60% then the inlet water temperature must be set between 40° to 45°C to avoid condensation and to keep the system running optimally.



### 3-5 Removing the Coolant Pipe Module



Read the following guidelines before you begin to install the heatsink:

- Always turn off the computer and unplug the power cord from the power outlet before installing the heatsink to prevent hardware damage.
- Unplug all cables from the power outlets.
- Disconnect all telecommunication cables from their ports.
- Place the system unit on a flat and stable surface.
- Open the system according to the instructions.

**WARNING!**

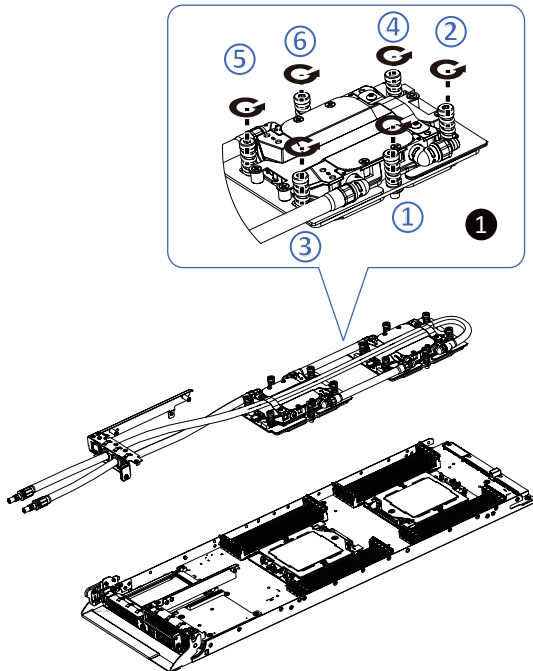
Failure to properly turn off the server before you start installing components may cause serious damage. Do not attempt the procedures described in the following sections unless you are a qualified service technician.

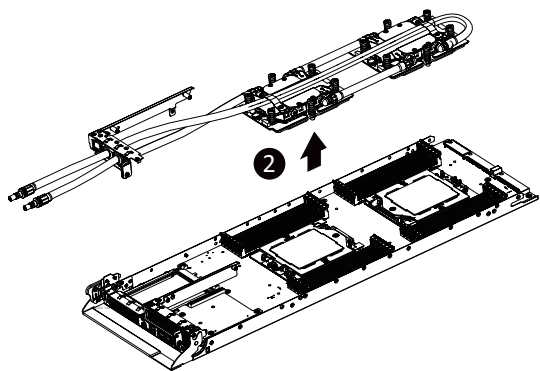
Follow these instructions to remove the coolant pipe module:

1. Remove the left PCIe riser before removing the CPU coolant module. To remove PCIe bracket, see Page 41 Installing the PCI Expansion Card
2. Loosen the four captive screws securing the coolant pipe module to the system.
3. Lift and remove the coolant pipe module.



- Lock the CPU coolant by using a Torx T20 driver to tighten screw.
- When installing the coolant to CPU, use Torx T20 driver to tighten 6 captive nuts in sequence as 1-6.





### 3-6 Installing the CPU and the Coolant Pipe Module



Read the following guidelines before you begin to install the CPU:

- Make sure that the motherboard supports the CPU.
- Always turn off the computer and unplug the power cord from the power outlet before installing

the CPU to prevent hardware damage.

- Unplug all cables from the power outlets.
- Disconnect all telecommunication cables from their ports.
- Place the system unit on a flat and stable surface.



- Open the system according to the instructions.

#### WARNING!

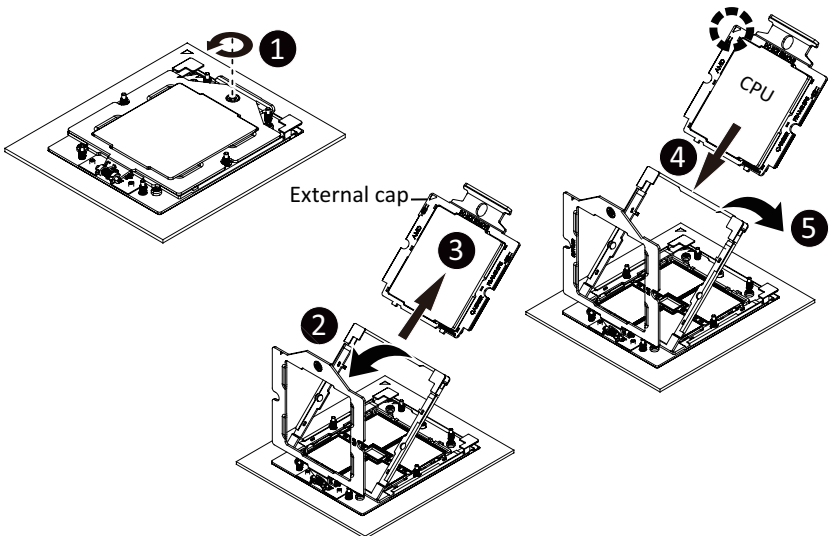
Failure to properly turn off the server before you start installing components may cause serious damage. Do not attempt the procedures described in the following sections unless you are a qualified service technician.

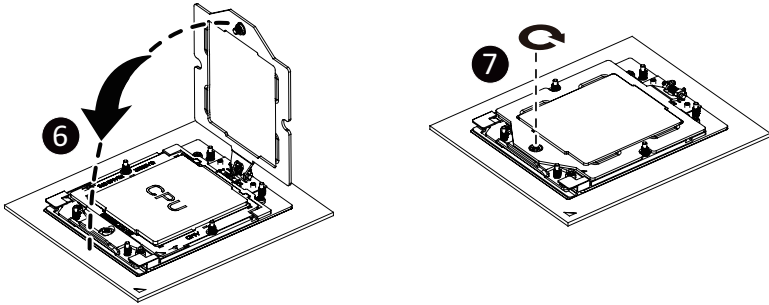
#### Follow these instructions to install the CPU:

1. Loosen the three captive screws securing the CPU cover.
2. Flip open the CPU cover.
3. Remove the CPU carrier from the CPU frame using the handle on the CPU carrier.
4. Using the handle on the CPU carrier insert the new CPU carrier with CPU installed into the CPU frame.

NOTE: Ensure the CPU is installed in the CPU carrier in the correct orientation, with the triangle on the CPU aligned to the top left corner of the CPU carrier.

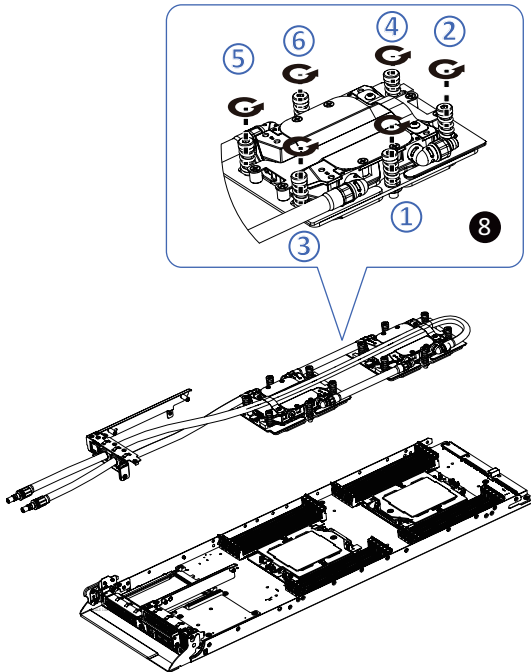
5. Flip the CPU frame with CPU installed into place in the CPU socket.
6. Flip the CPU cover into place over the CPU socket.
7. Tighten the CPU cover screw to secure the CPU cover in place. Repeat steps 1-7 for the second CPU.

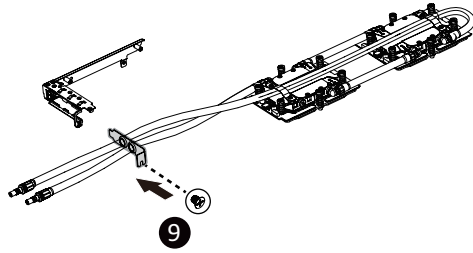




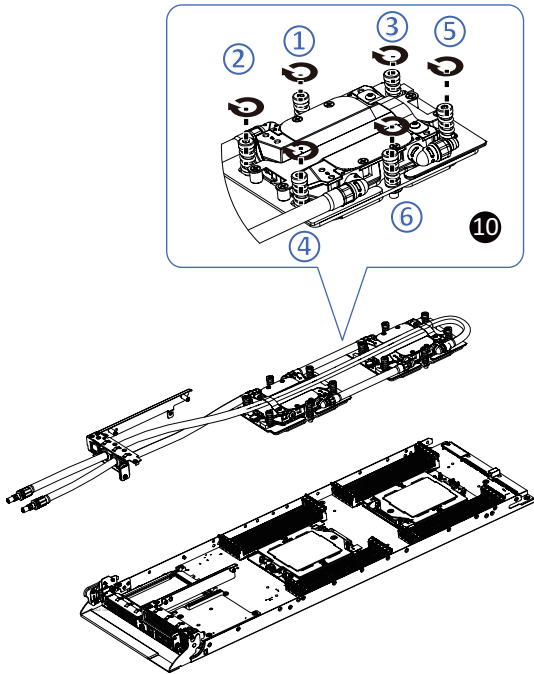
- Lock the CPU by using a Torx T20 screwdriver to tighten screw.
- The screw tightening torque:  $13.5 \pm 0.5$  kgf-cm.

8. Loosen the six captive screws securing the carrier assembly to the system.
9. Put the Coolant pipe through the PCIe 1 bracket and put the PCIe bracket and coolant bracket together. Use the retained screw to lock the PCIe 1 bracket.
10. Align the carrier assembly to the CPU socket using the guide pins and make sure the gold triangle is in the correct orientation. Then place the carrier assembly onto the top of the CPU socket.
11. Secure the carrier assembly by tightening the screws in sequential order ((1→2→3→4→5→6).





- Lock the Coolant pipe module by using a Torx T20 screwdriver to tighten screw.
- The screw tightening torque: 12.5-15.0 kgf-cm.



## 3-7 Installing Memory

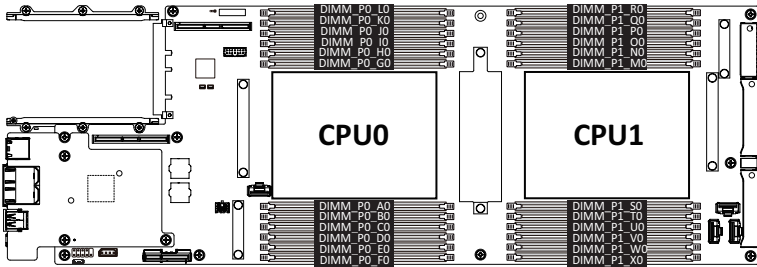


Read the following guidelines before you begin to install the memory:

- Make sure that the motherboard supports the memory. It is recommended that memory of the same capacity, brand, speed, and chips be used.
- Always turn off the computer and unplug the power cord from the power outlet before installing the memory to prevent hardware damage.
- Memory modules have a foolproof design. A memory module can be installed in only one direction. If you are unable to insert the memory, switch the direction.

### 3-7-1 Twelves Channel Memory Configuration

This motherboard provides 24 DDR5 memory sockets and supports Eight Channel Technology. After the memory is installed, the BIOS will automatically detect the specifications and capacity of the memory. Enabling eight Channel memory mode will be eight times of the original memory bandwidth.



### 3-7-2 Installing the Memory

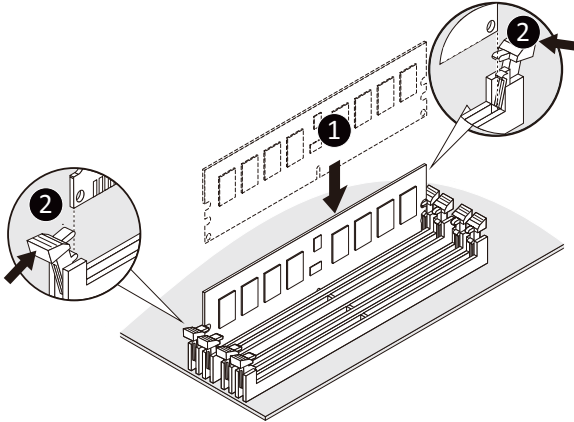


Before installing a memory module, make sure to turn off the computer and unplug the power cord from the power outlet to prevent damage to the memory module.

Be sure to install DDR5 DIMMs on this motherboard.

Follow these instructions to install the Memory:

1. Insert the DIMM memory module vertically into the DIMM slot, and push it down.
2. Close the plastic clip at both edges of the DIMM slots to lock the DIMM module.
3. Reverse the installation steps when you want to remove the DIMM module.



### 3-7-3 Processor and Memory Module Matrix Table

| Memory Q'ty<br>for each CPU | CPU0 |    |    |    |    |    |    |    |    |    |    |    | CPU1 |    |    |    |    |    |    |    |    |    |    |    |
|-----------------------------|------|----|----|----|----|----|----|----|----|----|----|----|------|----|----|----|----|----|----|----|----|----|----|----|
|                             | F0   | E0 | D0 | C0 | B0 | A0 | G0 | H0 | I0 | J0 | K0 | L0 | R0   | Q0 | P0 | O0 | N0 | M0 | S0 | T0 | U0 | V0 | W0 | X0 |
| 1 DIMM                      |      |    |    |    |    | v  |    |    |    |    |    |    |      |    |    |    |    |    | v  |    |    |    |    |    |
| 2 DIMM                      |      |    |    |    |    | v  | v  |    |    |    |    |    |      |    |    |    |    |    | v  | v  |    |    |    |    |
| 4 DIMM                      |      |    |    | v  |    | v  | v  |    | v  |    |    |    |      |    |    |    | v  |    | v  | v  |    | v  |    |    |
| 6 DIMM                      |      |    |    | v  | v  | v  | v  | v  | v  |    |    |    |      |    |    |    | v  | v  | v  | v  | v  | v  |    |    |
| 8 DIMM                      |      | v  |    | v  | v  | v  | v  | v  | v  |    | v  |    |      | v  |    |    | v  | v  | v  | v  | v  | v  | v  | v  |
| 10 DIMM                     |      | v  | v  | v  | v  | v  | v  | v  | v  | v  | v  |    |      | v  | v  |    | v  | v  | v  | v  | v  | v  | v  | v  |
| 12 DIMM                     | v    | v  | v  | v  | v  | v  | v  | v  | v  | v  | v  | v  | v    | v  | v  |    | v  | v  | v  | v  | v  | v  | v  | v  |

### 3-7-4 Memory Population Table

EPYC Memory Speed based on DIMM Population (One DIMM per Channel)

| DIMM Type | DIMM Population | Max EPYC 9004<br>DDR5 Frequency (MT/s) |
|-----------|-----------------|--|
|           | DIMM 0          |  |
| RDIMM     | 1R (1 Rank)     | 4800                                   |
|           | 2R (2 Ranks)    | 4800                                   |
| 3DS RDIMM | 2S2R (4 Ranks)  | 4800                                   |
|           | 2S4R (8 Ranks)  | 4800                                   |
|           | 2S8R (16 ranks) | 4800                                   |

EPYC Memory Speed based on DIMM Population (Two DIMM per Channel)

| DIMM Type | DIMM Population |                 | DDR5 Frequency (MT/s)               |                                     |                                     |
|-----------|-----------------|-----------------|-------------------------------------|-------------------------------------|-------------------------------------|
|           | DIMM 0          | DIMM 1          | 14L 93mil<br>high-Dk<br>PCB stackup | 14L 74mil<br>high-Dk<br>PCB stackup | 16L 93mil<br>high-Dk<br>PCB stackup |
| RDIMM     | --              | 1R              | 4800                                | 4800                                | 4800                                |
|           | 1R              | 1R              | 4000                                | 4000                                | 4000                                |
|           | --              | 2R              | 4400                                | 4800                                | 4800                                |
|           | 1R              | 2R              | 3600                                | 3600                                | 3600                                |
|           | 2R              | 2R              | 3600                                | 3600                                | 3600                                |
| 3DS RDIMM | --              | 2S2R (4 Ranks)  | 4400                                | 4800                                | 4800                                |
|           | --              | 2S4R (8 Ranks)  | 4400                                | 4800                                | 4800                                |
|           | --              | 2S8R (16 Ranks) | 4400                                | 4800                                | 4800                                |
|           | 2S2R (4 Ranks)  | 2S2R (4 Ranks)  | 3600                                | 3600                                | 3600                                |
|           | 2S4R (8 Ranks)  | 2S4R (8 Ranks)  | 3600                                | 3600                                | 3600                                |
|           | 2S8R (16 Ranks) | 2S8R (16 Ranks) | 3600                                | 3600                                | 3600                                |



**Note:**

- When only one DIMM is used, it must be populated in memory slot DIMM1.



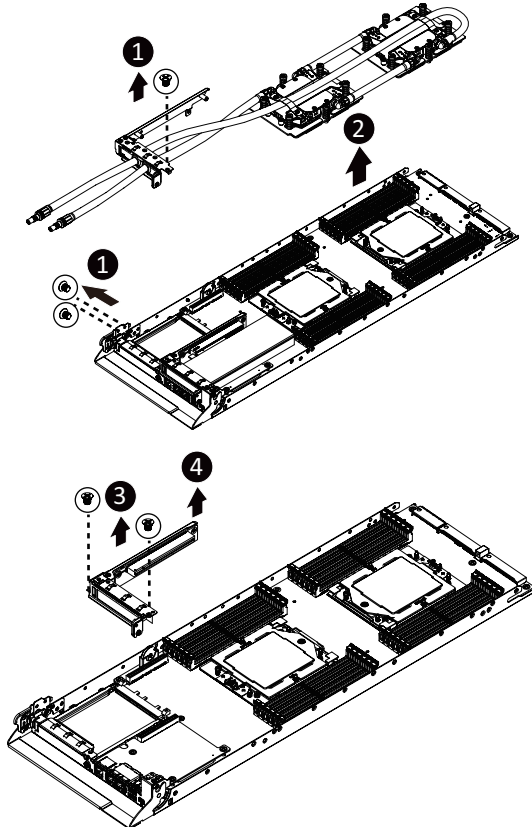
## 3-8 Installing the PCI Expansion Card

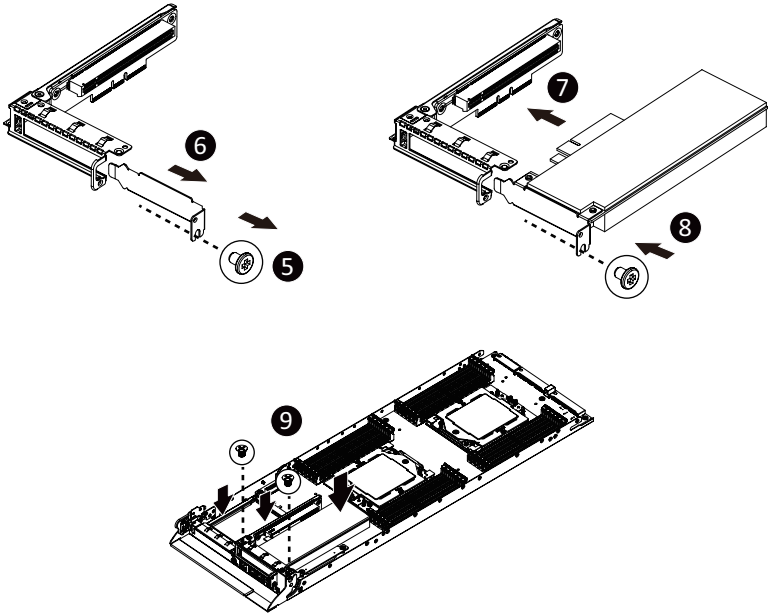


- The PCI riser assembly does not include a riser card or any cabling as standard. To install a PCI card, a riser card must be installed.

Follow these instructions to install the PCI Expansion card:

1. Remove the three screws on the riser bracket to the system.
2. Lift up the coolant module with the riser bracket out of system.
3. Remove the two screws securing the riser bracket to the system.
4. Lift up the riser bracket out of system.
5. Remove the PCI screw and bracket.
6. Remove the side bracket
7. Align the PCIe card to the riser guide slot and push in the direction of the arrow until the PCIe card sits in the PCI card connector.
8. Secure the PCIe card with a screw.
9. Install the side bracket to the riser bracket.
10. Reverse steps 1 - 9 to install the two riser brackets back into the system.

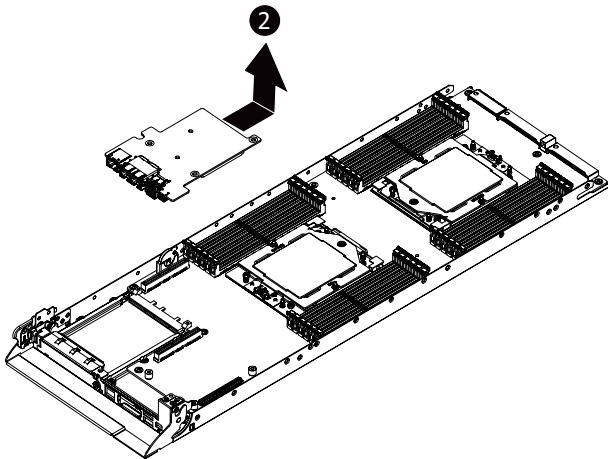
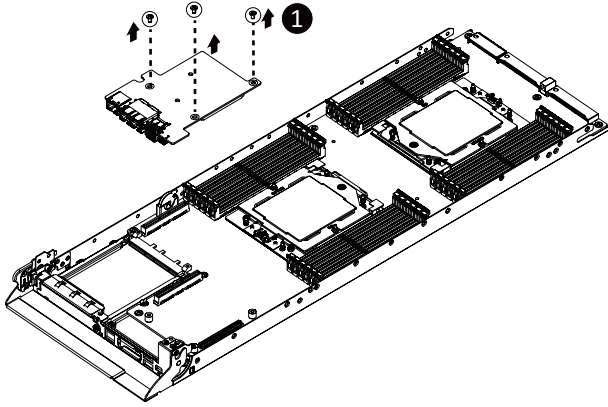




### 3-9 Removing and Installing the Rear IO Card

Follow these instructions to install the Rear IO card:

1. Remove the three screws securing the Rear IO card to the system.
2. Lift up the Rear IO card out of system.
3. Reverse steps 1 - 2 to install the Rear IO card back into the system.



## 3-10 Installing the Mezzanine Card

### 3-10-1 Installing the OCP 3.0 Mezzanine Card

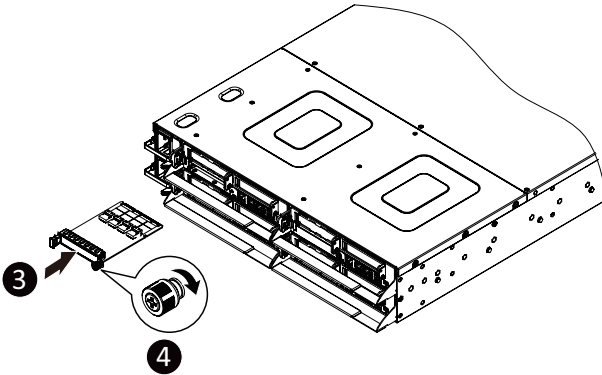
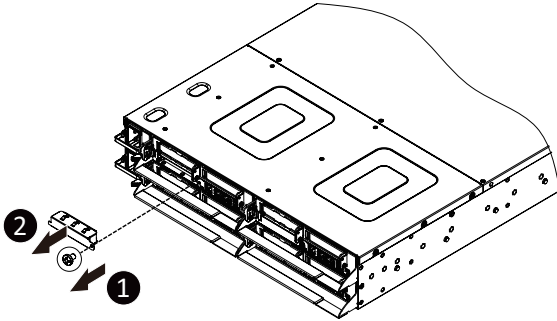


Use of the following type of OCP 3.0 NIC is recommended:

- OCP 3.0 SFF with pull tab
- OCP 3.0 SFF with ejector latch

**Follow these instructions to install an OCP 3.0 Mezzanine card:**

1. Remove the one screw securing the OCP 3.0 card slot cover.
2. Remove the slot cover from the system.
3. Insert the OCP 3.0 card into the card slot ensuring that the card is firmly connected to the connector on the motherboard.
4. Tighten the thumbnail screw to secure the OCP 3.0 card in place.
5. Reverse steps 3-4 to replace the OCP 3.0 card.



### 3-11 Replacing the Fan Assembly

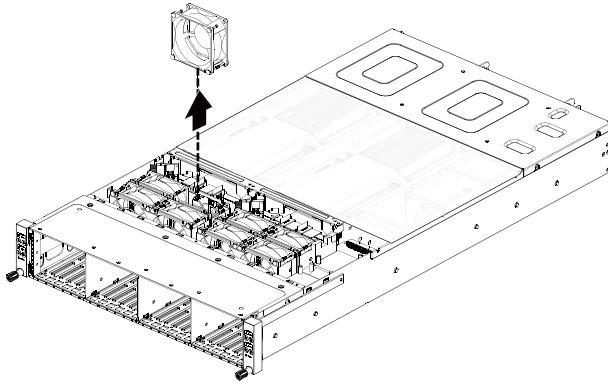


- Voltages can be present within the server whenever an AC power source is connected. This voltage is present even when the main power switch is in the off position. Ensure that the system is powered-down and all power sources have been disconnected from the server prior to replacing a system fan.

Failure to observe these warnings could result in personal injury or damage to equipment.

Follow these instructions to replace the fan assembly:

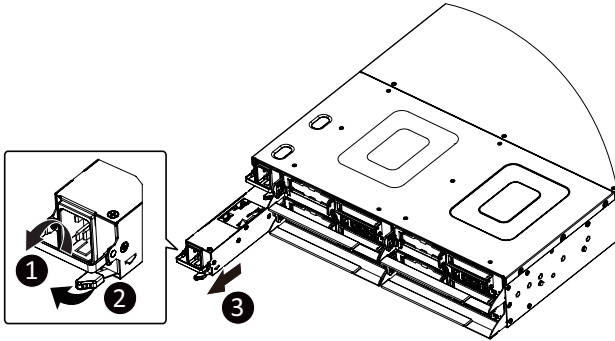
1. Lift up the fan assembly from the chassis.
2. Reverse the previous steps to install the replacement fan assembly.



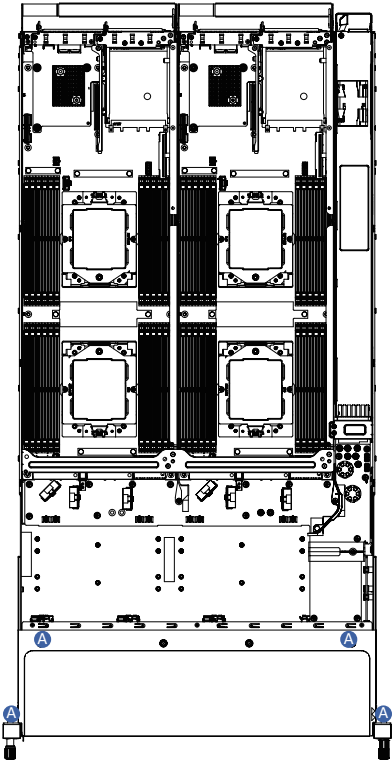
## 3-12 Replacing the Power Supply

Follow these instructions to replace the power supply:

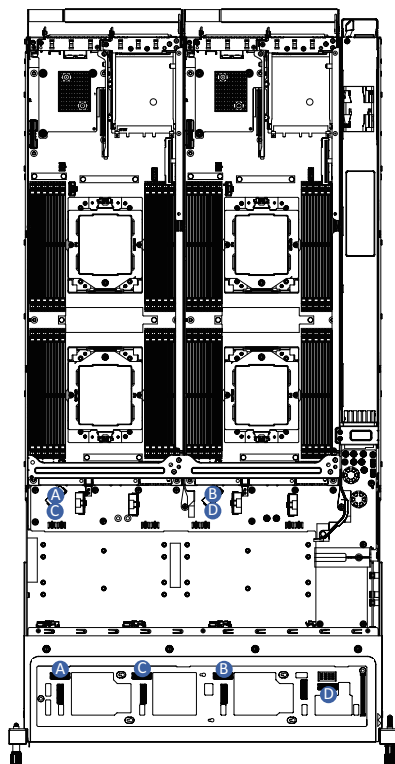
1. Pull up the power supply handle and press the retaining clip on the right side of the power supply along the direction of the arrow. At the same time, pull out the power supply by using its handle.
2. Insert the replacement power supply firmly into the chassis. Connect the AC power cord to the replacement power supply.



### 3-13 Cable Routing

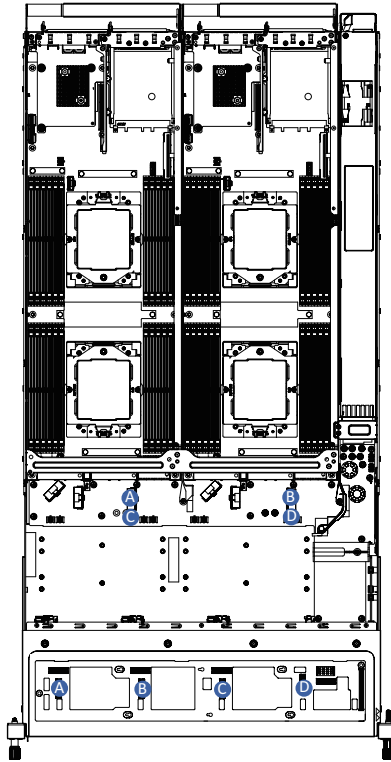


|   |                                    |                      |
|---|------------------------------------|----------------------|
| A | Front Panel LEDs and Buttons Cable | Motherboard: FP_1    |
|   |                                    | Front IO Board: FP_1 |

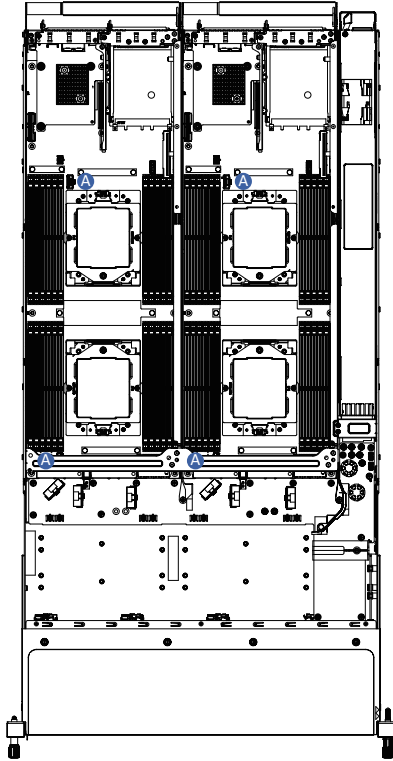


|   |   |                       |
|---|---|-----------------------|
| A | Top Middle Board to HDD Back Plane Board Cable (SATA1)    | Middle Board: SATA1   |
|   |   | F/ HDD Board: N1 SATA |
| B | Top Middle Board to HDD Back Plane Board Cable (SATA3)    | Middle Board: SATA3   |
|   |   | F/ HDD Board: N3 SATA |
| C | Bottom Middle Board to HDD Back Plane Board Cable (SATA2) | Middle Board: SATA2   |
|   |   | F/ HDD Board: N2 SATA |
| D | Bottom Middle Board to HDD Back Plane Board Cable (SATA4) | Middle Board: SATA4   |
|   |   | F/ HDD Board: N4 SATA |



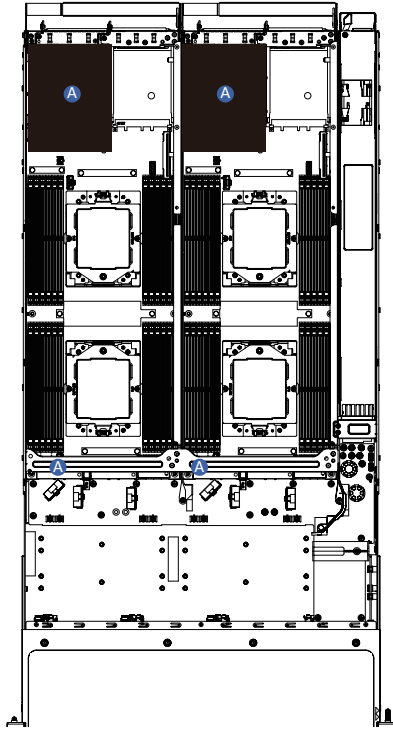


|   |  |                        |
|---|--|------------------------|
| A | Top Middle Board to HDD Back Plane Board Cable (NVMe/Node1)    | Middle Board: N1_U2_A  |
|   |  | F/ HDD Board: N1 U.2 A |
| B | Top Middle Board to HDD Back Plane Board Cable (NVMe/Node3)    | Middle Board: N3_U2_A  |
|   |  | F/ HDD Board: N3 U.2 A |
| C | Bottom Middle Board to HDD Back Plane Board Cable (NVMe/Node2) | Middle Board: N2_U2_A  |
|   |  | F/ HDD Board: N2 U.2 A |
| D | Bottom Middle Board to HDD Back Plane Board Cable (NVMe/Node4) | Middle Board: N4_U2_A  |
|   |  | F/ HDD Board: N4 U.2 A |



|   |                     |                        |
|---|---------------------|------------------------|
| A | On board SATA Cable | Motherboard: MCIO_SATA |
|   |                     | Motherboard: SATA0     |

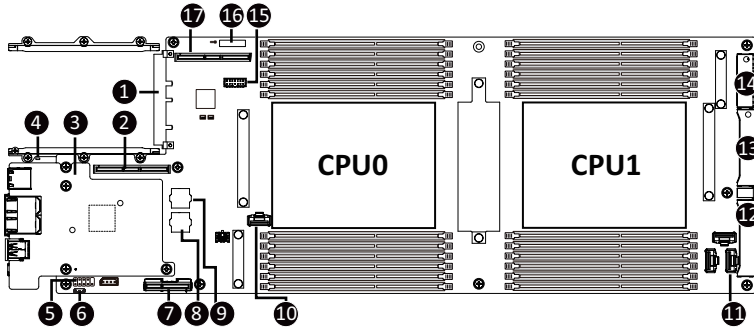
SAS RAID CARD



|   |                     |                        |
|---|---------------------|------------------------|
| A | SAS RAID Card Cable | Motherboard: MCIO_SATA |
|   |                     | RAID Card              |

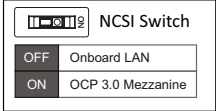
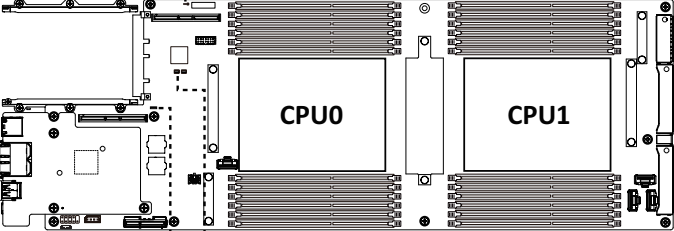
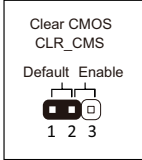
# Chapter 4 Motherboard Components

## 4-1 Motherboard Components



| Item | Description  |
|------|--|
| 1    | OCP 3.0 Connector (PCIe Gen5 x16)                    |
| 2    | Proprietary PCIe Slot (Gen 5/ x16 slot/ GENZ_2)      |
| 3    | Rear IO Card (MLAN/GbE LAN/USB/Mini DP Port)         |
| 4    | BMC Readiness LED                                    |
| 5    | Serial Port Cable Connector                          |
| 6    | PSOUT Connector                                      |
| 7    | Proprietary PCIe Slot (Gen 5/ x10 slot/ GENZ_3)      |
| 8    | BMC Flash ROM #2                                     |
| 9    | BMC Flash ROM #1                                     |
| 10   | SlimLine SAS Connector (SATA0/SATA Signal)           |
| 11   | SlimLine SAS Connector (MCIO_SATA/SATA Signal Input) |
| 12   | PCIe/SATA Connector                                  |
| 13   | PCIe Connector                                       |
| 14   | Power Connector                                      |
| 15   | TPM Module Connector                                 |
| 16   | System Battery                                       |
| 17   | Proprietary PCIe Slot (Gen 5/ x16 slot/ GENZ_1)      |

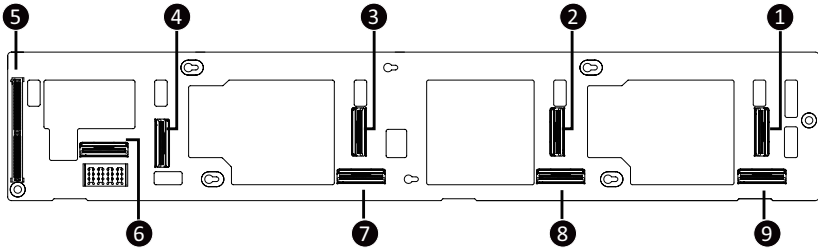
# 4-2 Jumper Setting



| J1 | ON        | OFF   |
|----|-----------|---|
| 1  | HSB_SEL   | BIOS Defined                                  |
| 2  | --        | Reserved                                      |
| 3  | BIOS_PWD  | Clear supervisor password<br>Normal [Default] |
| 4  | BIOS_RCVR | BIOS recovery mode<br>Normal [Default]        |

## 4-3 Backplane Board Storage Connector

### 4-3-1 CBPH081



| Item | Description                              |
|------|--|
| 1    | SlimLine SAS Connector (N1 U.2 A)        |
| 2    | SlimLine SAS Connector (N2 U.2 A)        |
| 3    | SlimLine SAS Connector (N3 U.2 A)        |
| 4    | SlimLine SAS Connector (N4 U.2 A)        |
| 5    | Proprietary PCIe Slot (x8 slot/ GF_HDD1) |
| 6    | SlimLine SAS Connector (N4 SATA)         |
| 7    | SlimLine SAS Connector (N3 SATA)         |
| 8    | SlimLine SAS Connector (N2 SATA)         |
| 9    | SlimLine SAS Connector (N1 SATA)         |

## Chapter 5 BIOS Setup

BIOS (Basic Input and Output System) records hardware parameters of the system in the EFI on the motherboard. Its major functions include conducting the Power-On Self-Test (POST) during system startup, saving system parameters, loading the operating system etc. The BIOS includes a BIOS Setup program that allows the user to modify basic system configuration settings or to activate certain system features. When the power is turned off, the battery on the motherboard supplies the necessary power to the CMOS to keep the configuration values in the CMOS.

To access the BIOS Setup program, press the <DEL> key during the POST when the power is turned on.



- BIOS flashing is potentially risky, if you do not encounter any problems when using the current BIOS version, it is recommended that you don't flash the BIOS. To flash the BIOS, do it with caution. Inadequate BIOS flashing may result in system malfunction.
- It is recommended that you not alter the default settings (unless you need to) to prevent system instability or other unexpected results. Inadequately altering the settings may result in system's failure to boot. If this occurs, try to clear the CMOS values and reset the board to default values. (Refer to the **Exit** section in this chapter or introductions of the battery/clearing CMOS jumper in Chapter 4 for how to clear the CMOS values.)

### BIOS Setup Program Function Keys

|          |  |
|----------|--|
| <<-><->> | Move the selection bar to select the screen                              |
| <↑><↓>   | Move the selection bar to select an item                                 |
| <+>      | Increase the numeric value or make changes                               |
| <->      | Decrease the numeric value or make changes                               |
| <Enter>  | Execute command or enter the submenu                                     |
| <Esc>    | Main Menu: Exit the BIOS Setup program<br>Submenus: Exit current submenu |
| <F1>     | Show descriptions of general help  |
| <F3>     | Restore the previous BIOS settings for the current submenus              |
| <F9>     | Load the Optimized BIOS default settings for the current submenus        |
| <F10>    | Save all the changes and exit the BIOS Setup program                     |

■ **Main**

This setup page includes all the items of the standard compatible BIOS.

■ **Advanced**

This setup page includes all the items of AMI BIOS special enhanced features.

(ex: Auto detect fan and temperature status, automatically configure hard disk parameters.)

■ **AMD CBS**

This setup page includes the common items for configuration of AMD motherboard-related information.

■ **AMD PBS Option**

This setup page includes the common items for configuration of AMD CPM RAS related settings.

■ **Chipset**

This setup page includes all the submenu options for configuring the functions of the North Bridge.

■ **Server Management**

Server additional features enabled/disabled setup menus.

■ **Security**

Change, set, or disable supervisor and user password. Configuration supervisor password allows you to restrict access to the system and BIOS Setup.

A supervisor password allows you to make changes in BIOS Setup.

A user password only allows you to view the BIOS settings but not to make changes.

■ **Boot**

This setup page provides items for configuration of the boot sequence.

■ **Save & Exit**

Save all the changes made in the BIOS Setup program to the CMOS and exit BIOS Setup. (Pressing <F10> can also carry out this task.)

Abandon all changes and the previous settings remain in effect. Pressing <Y> to the confirmation message will exit BIOS Setup. (Pressing <Esc> can also carry out this task.)



# 5-1 The Main Menu

Once you enter the BIOS Setup program, the Main Menu (as shown below) appears on the screen. Use arrow keys to move among the items and press <Enter> to accept or enter other sub-menu.

## Main Menu Help

The on-screen description of a highlighted setup option is displayed on the bottom line of the Main Menu.

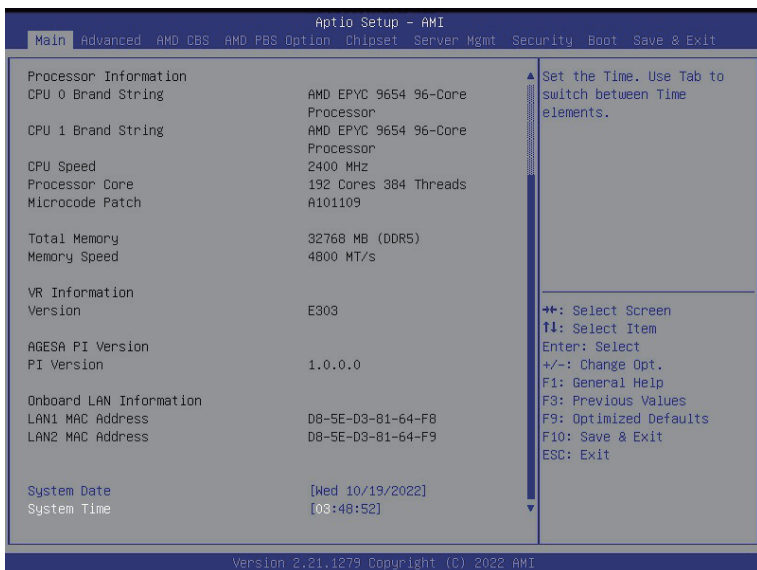
## Submenu Help

While in a submenu, press <F1> to display a help screen (General Help) of function keys available for the menu. Press <Esc> to exit the help screen. Help for each item is in the Item Help block on the right side of the submenu.



- When the system is not stable as usual, select the **Restore Defaults** item to set your system to its defaults.
- The BIOS Setup menus described in this chapter are for reference only and may differ by BIOS version.





| Parameter   | Description   |
|---|---|
| BIOS Information  |   |
| Project Name  | Displays the project name information.                                |
| Project Version   | Displays version number of the BIOS setup utility.                    |
| Build Date and Time   | Displays the date and time when the BIOS setup utility was created.   |
| BMC Information <sup>(Note1)</sup>                              |   |
| BMC Firmware Version <sup>(Note1)</sup>                         | Displays BMC firmware version information.                            |
| Processor Information   |   |
| CPU Brand String / CPU Speed / Processor Core / Microcode Patch | Displays the technical specifications for the installed processor(s). |
| Total Memory <sup>(Note2)</sup>                                 | Displays the total memory size of the installed memory.               |
| Memory Speed <sup>(Note2)</sup>                                 | Displays the frequency information of the installed memory.           |
| VR Information Version  | Displays VR version information.                                      |
| AGESA PI Version  |   |
| PI Version  | Displays AGESA PI version information.                                |

(Note1) Functions available on selected models.

(Note2) This section will display capacity and frequency information of the memory that the customer has installed.

| Parameter                          | Description   |
|------------------------------------|---|
| Onboard LAN Information            |   |
| LAN1 MAC Address <sup>(Note)</sup> | Displays LAN MAC address information.                         |
| LAN2 MAC Address <sup>(Note)</sup> | Displays LAN MAC address information.                         |
| System Date                        | Sets the date following the weekday-month-day-year format.    |
| System Time                        | Sets the system time following the hour-minute-second format. |

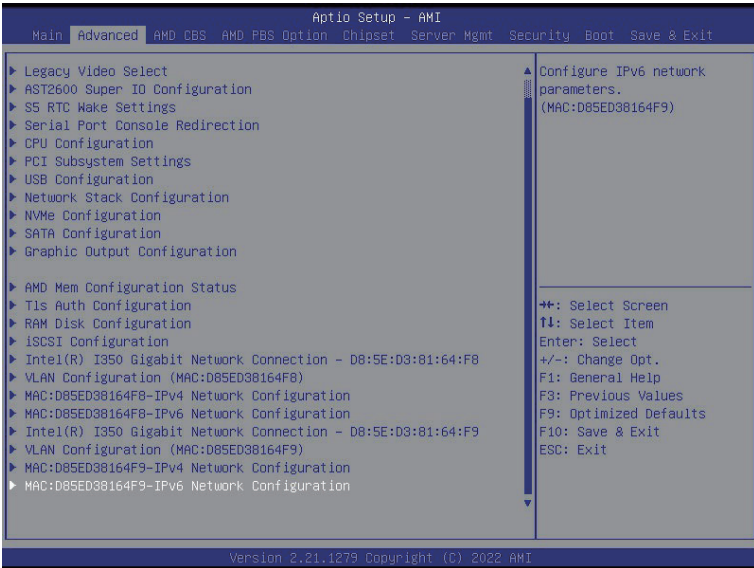
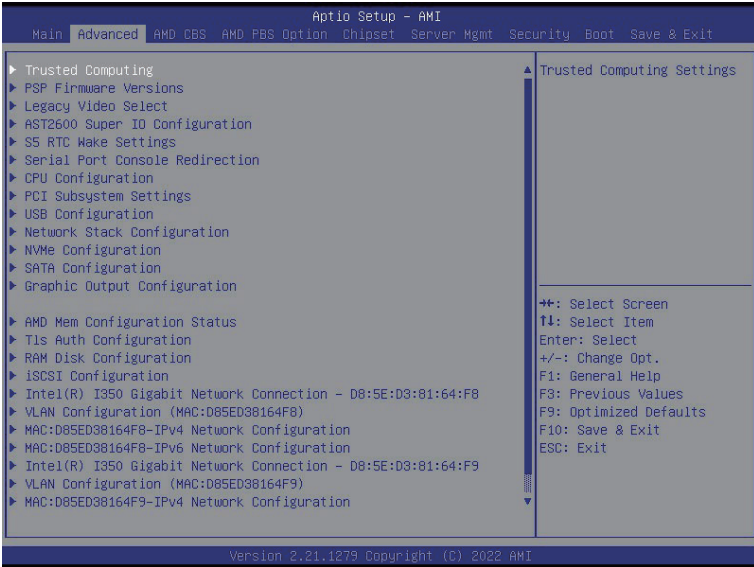
(Note) The number of LAN ports listed will depend on the motherboard / system model.

---

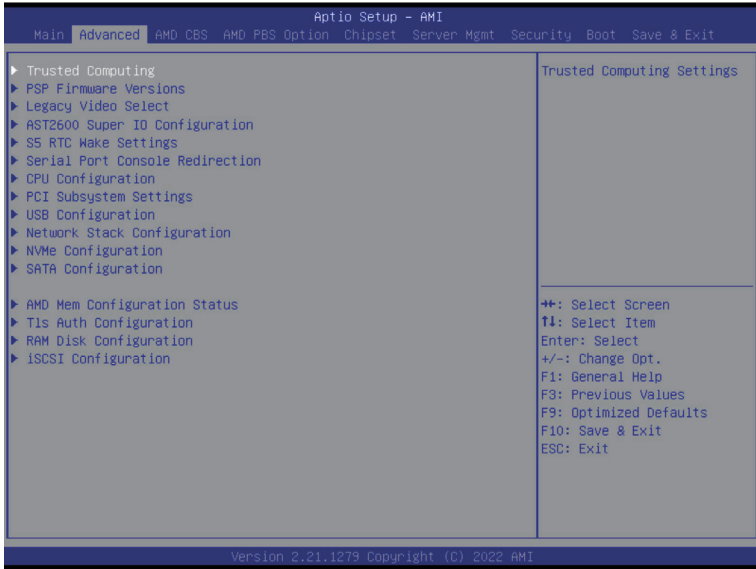
## 5-2 Advanced Menu

The Advanced Menu displays submenu options for configuring the function of various hardware components. Select a submenu item, then press <Enter> to access the related submenu screen.

### When Boot Mode Select is set to UEFI (Default)



When "Boot Mode Select" is set to Legacy in the Boot > Boot Mode Select section



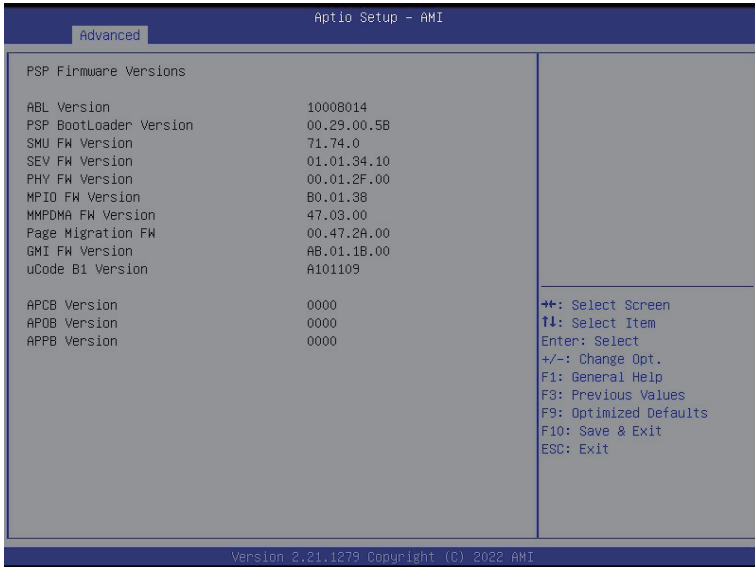
## 5-2-1 Trusted Computing



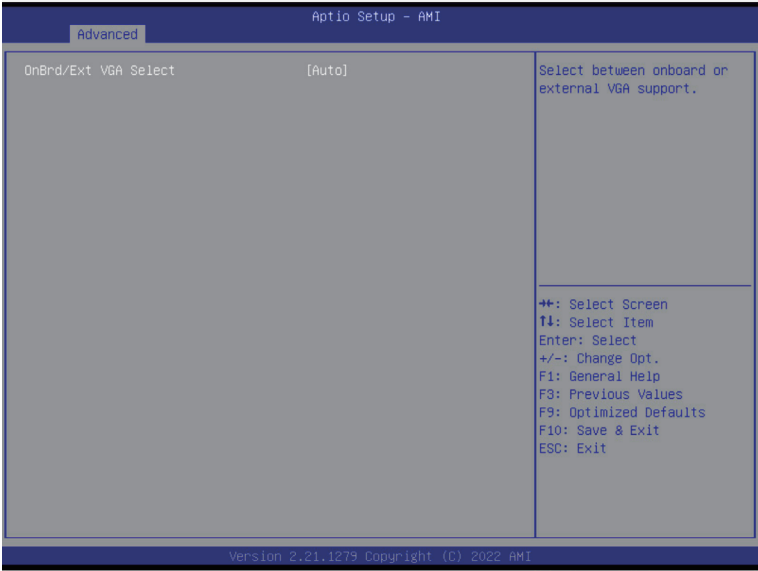
| Parameter               | Description  |
|-------------------------|--|
| Configuration           |  |
| Security Device Support | <p>Enable/Disable BIOS support for security device. OS will not show security device. TCG EFI protocol and INT1A interface will not be available.</p> <p>Options available: Disable, Enable. Default setting is <b>Enable</b>.</p> |
| SPI TPM Support         | <p>Select Enable to activate TPM support feature.</p> <p>Options available: Disabled, Enabled. Default setting is <b>Disabled</b>.</p>   |

## 5-2-2 PSP Firmware Versions

The PSP Firmware Versions page displays the basic PSP firmware version information. Items on this window are non-configurable.



### 5-2-3 Legacy Video Select

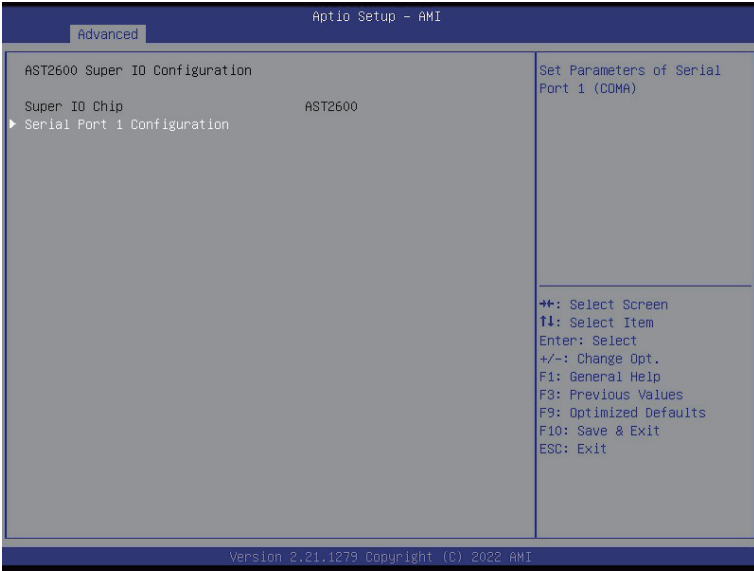


| Parameter            | Description  |
|----------------------|--|
| OnBrd/Ext VGA Select | Selects between onboard or external VGA support.<br>Options available: Auto, Onboard, External. Default setting is <b>Auto</b> . |

(Note) This configurable option will be displayed when **"Boot Mode Select"** is set to **Legacy** in the **Boot > Boot Mode Select** section.

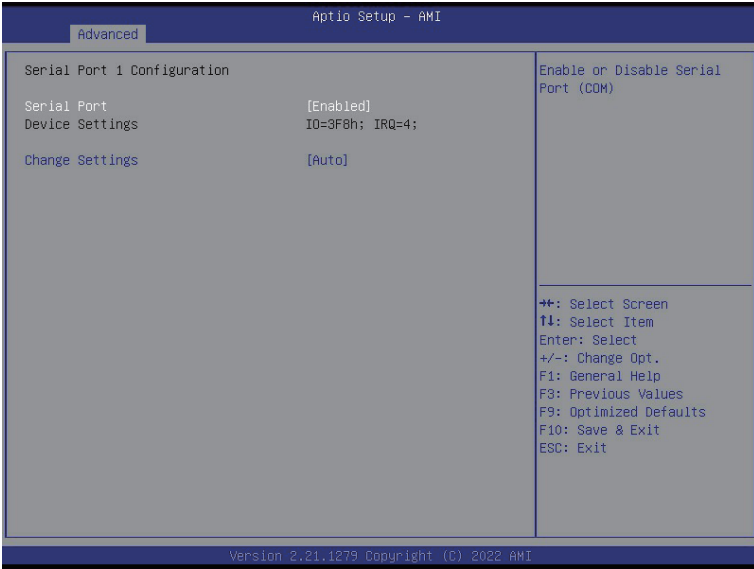


## 5-2-4 AST2600 Super IO Configuration



| Parameter                      | Description  |
|--------------------------------|--|
| AST2600 Super IO Configuration |  |
| Super IO Chip                  | Displays the super IO chip information             |
| Serial Port 1 Configuration    | Press [Enter] for configuration of advanced items. |

## 5-2-4-1 Serial Port 1 Configuration



| Parameter                     | Description  |
|-------------------------------|--|
| Serial Port 1 Configuration   |  |
| Serial Port <sup>(Note)</sup> | Enable/Disable the Serial Port (COM). When set to Enabled allows you to configure the Serial port 1 settings. When set to Disabled, displays no configuration for the serial port.<br>Options available: Disabled, Enabled. Default setting is <b>Enabled</b> .  |
| Devices Settings              | Displays the Serial Port 1 device settings.  |
| Change Settings               | Select an optimal settings for Super IO Device.<br>Options available for Serial Port 1:<br>Auto<br>IO=3F8h; IRQ=4;<br>IO=3F8h; IRQ=3, 4, 5, 6, 7, 9, 10, 11, 12;<br>IO=2F8h; IRQ=3, 4, 5, 6, 7, 9, 10, 11, 12;<br>IO=3E8h; IRQ=3, 4, 5, 6, 7, 9, 10, 11, 12;<br>IO=2E8h; IRQ=3, 4, 5, 6, 7, 9, 10, 11, 12;<br>Default setting is <b>Auto</b> . |

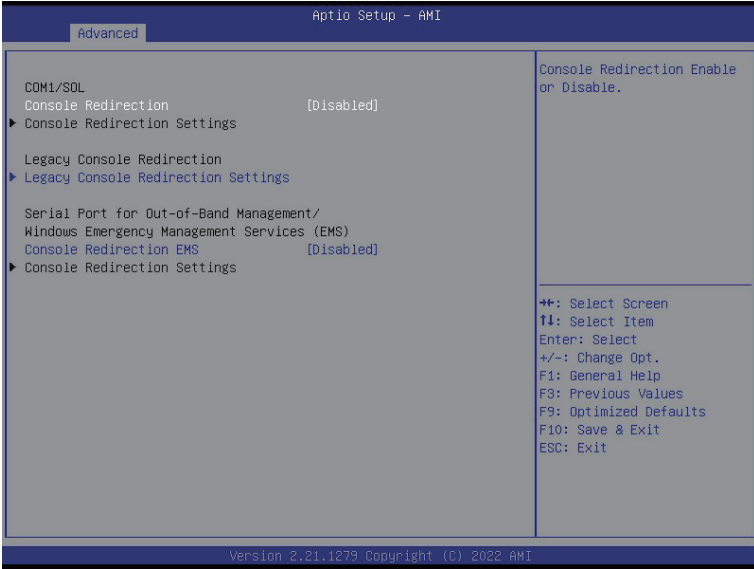
(Note) Advanced items prompt when this item is defined.

## 5-2-5 S5 RTC Wake Settings



| Parameter           | Description  |
|---------------------|--|
| Wake System from S5 | Enable/Disable system wake on alarm event.<br>Options available: Disabled, Fixed Time, Dynamic Time. When Fixed Time is selected, system will wake on the hr::min::sec specified. Default setting is <b>Disabled</b> . |

## 5-2-6 Serial Port Console Redirection



| Parameter  | Description   |
|--|---|
| COM1/Serial Over LAN Console Redirection <sup>(Note)</sup> | <p>Select whether to enable console redirection for specified device. Console redirection enables the users to manage the system from a remote location.</p> <p>Options available: Enabled, Disabled. Default setting is <b>Disabled</b>.</p>   |
| COM1/Serial Over LAN Console Redirection Settings          | <p>Press [Enter] to configure advanced items.</p> <p><b>Please note that this item is configurable when COM1/Serial Over LAN Console Redirection is set to Enabled.</b></p> <ul style="list-style-type: none"> <li>◆ Terminal Type <ul style="list-style-type: none"> <li>– Selects a terminal type to be used for console redirection.</li> <li>– Options available: VT100, VT100+, ANSI, VT-UTF8. Default setting is <b>ANSI</b>.</li> </ul> </li> <li>◆ Bits per second <ul style="list-style-type: none"> <li>– Selects the transfer rate for console redirection.</li> <li>– Options available: 9600, 19200, 38400, 57600, 115200. Default setting is <b>115200</b>.</li> </ul> </li> <li>◆ Data Bits <ul style="list-style-type: none"> <li>– Selects the number of data bits used for console redirection.</li> <li>– Options available: 7, 8. Default setting is <b>8</b>.</li> </ul> </li> </ul> |

(Note) Advanced items prompt when this item is defined.

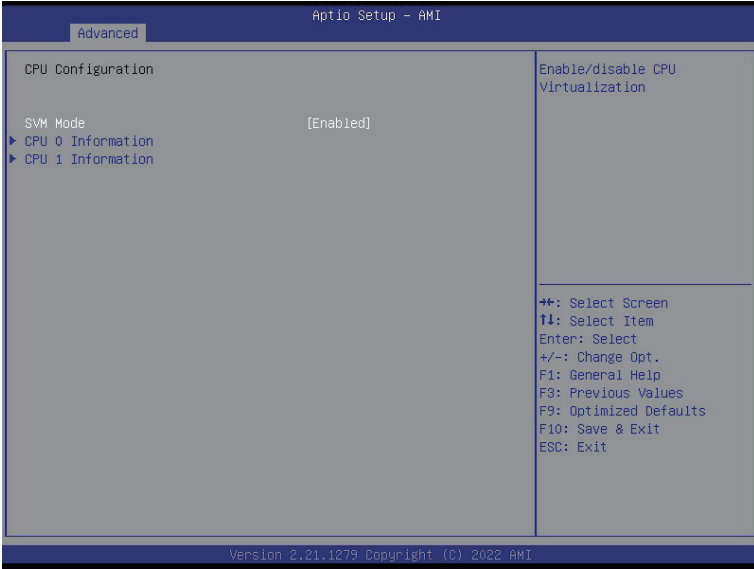
| Parameter   | Description   |
|---|---|
| COM1/Serial Over LAN<br>Console Redirection Settings<br>(continued) | <ul style="list-style-type: none"> <li>◆ Parity <ul style="list-style-type: none"> <li>– A parity bit can be sent with the data bits to detect some transmission errors.</li> <li>– Even: parity bit is 0 if the num of 1's in the data bits is even.</li> <li>– Odd: parity bit is 0 if num of 1's in the data bits is odd.</li> <li>– Mark: parity bit is always 1. Space: Parity bit is always 0.</li> <li>– Mark and Space Parity do not allow for error detection.</li> <li>– Options available: None, Even, Odd, Mark, Space. Default setting is <b>None</b>.</li> </ul> </li> <li>◆ Stop Bits <ul style="list-style-type: none"> <li>– Stop bits indicate the end of a serial data packet. (A start bit indicates the beginning). The standard setting is 1 stop bit. Communication with slow devices may require more than 1 stop bit.</li> <li>– Options available: 1, 2. Default setting is <b>1</b>.</li> </ul> </li> <li>◆ Flow Control <ul style="list-style-type: none"> <li>– Flow control can prevent data loss from buffer overflow. When sending data, if the receiving buffers are full, a 'stop' signal can be sent to stop the data flow. Once the buffers are empty, a 'start' signal can be sent to re-start the flow. Hardware flow control uses two wires to send start/stop signals.</li> <li>– Options available: None, Hardware RTS/CTS. Default setting is <b>None</b>.</li> </ul> </li> <li>◆ VT-UTF8 Combo Key Support <ul style="list-style-type: none"> <li>– Enable/Disable the VT-UTF8 Combo Key Support.</li> <li>– Options available: Enabled, Disabled. Default setting is <b>Enabled</b>.</li> </ul> </li> <li>◆ Recorder Mode <ul style="list-style-type: none"> <li>– When this mode enabled, only texts will be send. This is to capture Terminal data.</li> <li>– Options available: Enabled, Disabled. Default setting is <b>Disabled</b>.</li> </ul> </li> <li>◆ Resolution 100x31 <ul style="list-style-type: none"> <li>– Enable/Disable extended terminal resolution.</li> <li>– Options available: Enabled, Disabled. Default setting is <b>Enabled</b>.</li> </ul> </li> <li>◆ Putty KeyPad <ul style="list-style-type: none"> <li>– Selects Function Key and KeyPad on Putty.</li> <li>– Options available: VT100, LINUX, XTERMR6, SC0, ESCN, VT400. Default setting is <b>VT100</b>.</li> </ul> </li> </ul> |

| Parameter  | Description  |
|--|--|
| Legacy Console Redirection   |  |
| Legacy Console Redirection Settings  | <p>Press [Enter] to configure advanced items.</p> <ul style="list-style-type: none"> <li>◆ Redirection COM Port <ul style="list-style-type: none"> <li>– Selects a COM port for Legacy serial redirection.</li> <li>– Default setting is <b>COM1/SOL</b>.</li> </ul> </li> <li>◆ Resolution <ul style="list-style-type: none"> <li>– Selects the number of rows and columns used in Console Redirection for legacy OS support.</li> <li>– Options available: 80x24, 80x25. Default setting is <b>80x24</b>.</li> </ul> </li> <li>◆ Redirect After POST <ul style="list-style-type: none"> <li>– When Bootloader is selected, then Legacy Console Redirection is disabled before booting to legacy OS. When Always Enable is selected, then Legacy Console Redirection is enabled for legacy OS.</li> <li>– Options available: Always Enable, BootLoader. Default setting is <b>Always Enable</b>.</li> </ul> </li> </ul>   |
| Serial Port for Out-of-Band Management / Windows Emergency Management Services (EMS) Console Redirection <sup>(Note)</sup> | <p>EMS console redirection allows the user to configure Console Redirection Settings to support Out-of-Band Serial Port management.</p> <p>Options available: Disabled, Enabled. Default setting is <b>Disabled</b>.</p>   |
| Serial Port for Out-of-Band EMS Console Redirection Settings   | <p>Press [Enter] to configure advanced items.</p> <p><b>Please note that this item is configurable when Serial Port for Out-of-Band Management EMS Console Redirection is set to Enabled.</b></p> <ul style="list-style-type: none"> <li>◆ Out-of-Band Mgmt Port <ul style="list-style-type: none"> <li>– Microsoft Windows Emergency Management Service (EMS) allows for remote management of a Windows Server OS through a serial port.</li> <li>– Default setting is <b>COM1/SOL</b>.</li> </ul> </li> <li>◆ Terminal Type <ul style="list-style-type: none"> <li>– Selects a terminal type to be used for console redirection.</li> <li>– Options available: VT100, VT100+, ANSI, VT-UTF8. Default setting is <b>ANSI</b>.</li> </ul> </li> <li>◆ Bits per second <ul style="list-style-type: none"> <li>– Selects the transfer rate for console redirection.</li> <li>– Options available: 9600, 19200, 57600, 115200. Default setting is <b>115200</b>.</li> </ul> </li> </ul> |

(Note) Advanced items prompt when this item is defined.

| Parameter   | Description   |
|---|---|
| Serial Port for Out-of-Band<br>EMS Console Redirection<br>Settings(continued) | <ul style="list-style-type: none"><li>◆ Flow Control<ul style="list-style-type: none"><li>– Flow control can prevent data loss from buffer overflow. When sending data, if the receiving buffers are full, a 'stop' signal can be sent to stop the data flow. Once the buffers are empty, a 'start' signal can be sent to re-start the flow. Hardware flow control uses two wires to send start/stop signals.</li><li>– Options available: None, Hardware RTS/CTS, Software Xon/Xoff. Default setting is <b>None</b>.</li></ul></li></ul> |

## 5-2-7 CPU Configuration



| Parameter           | Description   |
|---------------------|---|
| SVM Mode            | Enable/Disable the CPU Virtualization.<br>Options available: Disabled, Enabled. Default setting is <b>Enabled</b> . |
| CPU 0/1 Information | Press [Enter] to view the memory information related to CPU 0/1.  |



## 5-2-8 PCI Subsystem Settings

Aptio Setup - AMI

Advanced

|                              |           |                             |
|------------------------------|-----------|-----------------------------|
| PCI Bus Driver Version       | A5.01.28  | ▲ Change GEN2_1 PCIe lanes. |
| GENZ_1                       | [Auto]    |                             |
| GENZ_1 I/O ROM               | [Enabled] |                             |
| GENZ_1 Link Speed            | [Auto]    |                             |
| GENZ_2                       | [Auto]    |                             |
| GENZ_2 I/O ROM               | [Enabled] |                             |
| GENZ_2 Link Speed            | [Auto]    |                             |
| GENZ_3                       | [Auto]    |                             |
| GENZ_3 I/O ROM               | [Enabled] |                             |
| GENZ_3 Link Speed            | [Auto]    |                             |
| OCP3.0                       | [Auto]    |                             |
| OCP3.0 I/O ROM               | [Enabled] |                             |
| OCP3.0 Link Speed            | [Auto]    |                             |
| Onboard LAN Controller       | [Enabled] |                             |
| Onboard LAN1 I/O ROM         | [Enabled] |                             |
| Onboard LAN2 I/O ROM         | [Enabled] |                             |
| PCI Devices Common Settings: |           |                             |
| Above 4G Decoding            | [Enabled] |                             |

++: Select Screen  
 ↑↓: Select Item  
 Enter: Select  
 +/-: Change Opt.  
 F1: General Help  
 F3: Previous Values  
 F9: Optimized Defaults  
 F10: Save & Exit  
 ESC: Exit

Version 2.21.1279 Copyright (C) 2022 AMI

Aptio Setup - AMI

Advanced

|                              |           |  |
|------------------------------|-----------|--|
| GENZ_1                       | [Auto]    | ▲ Enables or Disables PCI Express Device Relaxed Ordering. |
| GENZ_1 I/O ROM               | [Enabled] |  |
| GENZ_1 Link Speed            | [Auto]    |  |
| GENZ_2                       | [Auto]    |  |
| GENZ_2 I/O ROM               | [Enabled] |  |
| GENZ_2 Link Speed            | [Auto]    |  |
| GENZ_3                       | [Auto]    |  |
| GENZ_3 I/O ROM               | [Enabled] |  |
| GENZ_3 Link Speed            | [Auto]    |  |
| OCP3.0                       | [Auto]    |  |
| OCP3.0 I/O ROM               | [Enabled] |  |
| OCP3.0 Link Speed            | [Auto]    |  |
| Onboard LAN Controller       | [Enabled] |  |
| Onboard LAN1 I/O ROM         | [Enabled] |  |
| Onboard LAN2 I/O ROM         | [Enabled] |  |
| PCI Devices Common Settings: |           |  |
| Above 4G Decoding            | [Enabled] |  |
| SR-IOV Support               | [Enabled] |  |
| Relaxed Ordering             | [Enabled] |  |

++: Select Screen  
 ↑↓: Select Item  
 Enter: Select  
 +/-: Change Opt.  
 F1: General Help  
 F3: Previous Values  
 F9: Optimized Defaults  
 F10: Save & Exit  
 ESC: Exit

Version 2.21.1279 Copyright (C) 2022 AMI

| Parameter                                    | Description   |
|--|---|
| PCI Bus Driver Version                       | Displays the PCI Bus Driver version information.  |
| SLOT#_Lanes Configuration <sup>(Note1)</sup> | Change the PCIe lanes.<br>Options available: Disabled, Auto, x16, x8x8, x8x4x4, x4x4x8, x4x4x4x4. Default setting is <b>Auto</b> .  |
| SLOT #_I/O ROM <sup>(Note1)</sup>            | When enabled, this setting will initialize the device expansion ROM for the related PCI-E slot.<br>Options available: Disabled, Enabled. Default setting is <b>Enabled</b> .                |
| SLOT #_Link Speed <sup>(Note1)</sup>         | Configure PCIe max link speed.<br>Options available: Auto, Gen5, Gen4, Gen3, Gen2, Gen1.<br>Default setting is <b>Auto</b> .  |
| OCP#Lanes <sup>(Note2)</sup>                 | Change mezzanine PCIe lanes.<br>Options available: Disabled, Auto, x16, x8x8, x8x4x4, x4x4x8, x4x4x4x4. Default setting is <b>Auto</b> .  |
| OCP# I/O ROM <sup>(Note2)</sup>              | When enabled, this setting will initialize the device expansion ROM for the related devices.<br>Options available: Disabled, Enabled. Default setting is <b>Enabled</b> .                   |
| OCP# Link Speed <sup>(Note2)</sup>           | Configure mezzanine OCP max link speed.<br>Options available: Auto, Gen5, Gen4, Gen3, Gen2, Gen1.<br>Default setting is <b>Auto</b> .   |
| Onboard LAN Controller <sup>(Note3)</sup>    | Enable/Disable the onboard LAN devices.<br>Options available: Disabled, Enabled. Default setting is <b>Enabled</b> .  |
| Onboard LAN# I/O ROM <sup>(Note3)</sup>      | Enable/Disable the onboard LAN devices, and initializes device expansion ROM.<br>Options available: Disabled, Enabled. Default setting is <b>Enabled</b> .                                  |
| <b>PCI Devices Common Settings</b>           |   |
| Above 4G Decoding                            | Enable/Disable memory mapped I/O to 4GB or greater address space (Above 4G Decoding).<br>Options available: Disabled, Enabled. Default setting is <b>Enabled</b> .                          |
| SR-IOV Support                               | If the system has SR-IOV capable PCIe devices, this item Enable/Disable Single Root IO Virtualization Support.<br>Options available: Disabled, Enabled. Default setting is <b>Enabled</b> . |
| Relaxed Ordering                             | Enable/Disable PCI express device relaxed ordering.<br>Options available: Disabled, Enabled. Default setting is <b>Enabled</b> .  |

(Note1) This section is dependent on the available PCIe Slot.

(Note2) This section is dependent on the available OCP connector.

(Note3) This section is dependent on the available LAN controller.

## 5-2-9 USB Configuration



| Parameter   | Description   |
|---|---|
| USB Configuration                                 |   |
| USB Module Version                                | Displays the USB module version information.  |
| USB Controllers                                   | Displays the supported USB controllers.   |
| USB Devices:                                      | Displays the USB devices connected to the system.   |
| Legacy USB Support                                | Enable/Disable the Legacy USB support function. AUTO option disables legacy support if no USB devices are connected. DISABLE option will keep USB devices available only for EFI applications.<br>Options available: Enabled, Disabled, Auto. Default setting is <b>Enabled</b> . |
| XHCI Hand-off                                     | Enable/Disable the XHCI Hand-off support.<br>Options available: Enabled, Disabled. Default setting is <b>Enabled</b> .  |
| USB Mass Storage Driver Support <sup>(Note)</sup> | Enable/Disable the USB Mass Storage Driver Support.<br>Options available: Disabled, Enabled. Default setting is <b>Enabled</b> .  |
| USB hardware delays and time-outs                 |   |
| USB transfer time-out                             | Selects the time-out value for USB Control/Bulk/Interrupt transfers.<br>Options available: 1 sec, 5 sec, 10 sec, 20 sec.<br>Default setting is <b>20 sec</b> .  |

(Note) This item is present only if you attach USB devices.

| Parameter             | Description  |
|-----------------------|--|
| Device reset time-out | Selects the time-out value during a USB mass storage device reset.<br>Options available: 10 sec, 20 sec, 30 sec, 40 sec.<br>Default setting is <b>20 sec</b> .   |
| Device power-up delay | Maximum time the device will take before it properly reports itself to the Host Controller. "Auto" uses default value: for a Root port it is 100 ms, for a Hub port the delay is taken from Hub descriptor.<br>Options available: Auto, Manual. Default setting is <b>Auto</b> . |
| Mass Storage Devices  | Displays the mass storage devices available on the system.   |

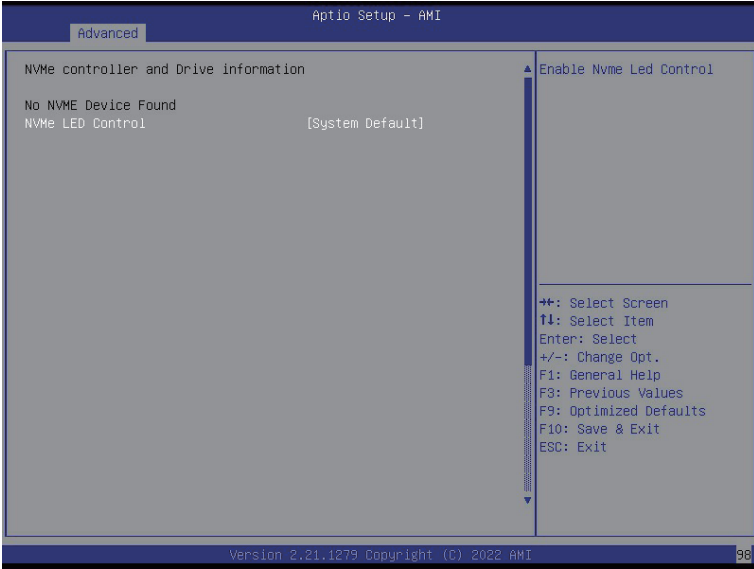
## 5-2-10 Network Stack Configuration



| Parameter                            | Description  |
|--------------------------------------|--|
| Network Stack                        | Enable/Disable the UEFI network stack.<br>Options available: Enabled, Disabled. Default setting is <b>Enabled</b> .                  |
| Ipv4 PXE Support <sup>(Note)</sup>   | Enable/Disable the Ipv4 PXE feature.<br>Options available: Enabled, Disabled. Default setting is <b>Enabled</b> .                    |
| Ipv4 HTTP Support <sup>(Note)</sup>  | Enable/Disable the Ipv4 HTTP feature.<br>Options available: Enabled, Disabled. Default setting is <b>Disabled</b> .                  |
| Ipv6 PXE Support <sup>(Note)</sup>   | Enable/Disable the Ipv6 PXE feature.<br>Options available: Enabled, Disabled. Default setting is <b>Enabled</b> .                    |
| Ipv6 HTTP Support <sup>(Note)</sup>  | Enable/Disable the Ipv6 HTTP feature.<br>Options available: Enabled, Disabled. Default setting is <b>Disabled</b> .                  |
| PXE boot wait time <sup>(Note)</sup> | Wait time in seconds to press ESC key to abort the PXE boot.<br>Press the <+> / <-> keys to increase or decrease the desired values. |
| Media detect count <sup>(Note)</sup> | Number of times the presence of media will be checked.<br>Press the <+> / <-> keys to increase or decrease the desired values.       |

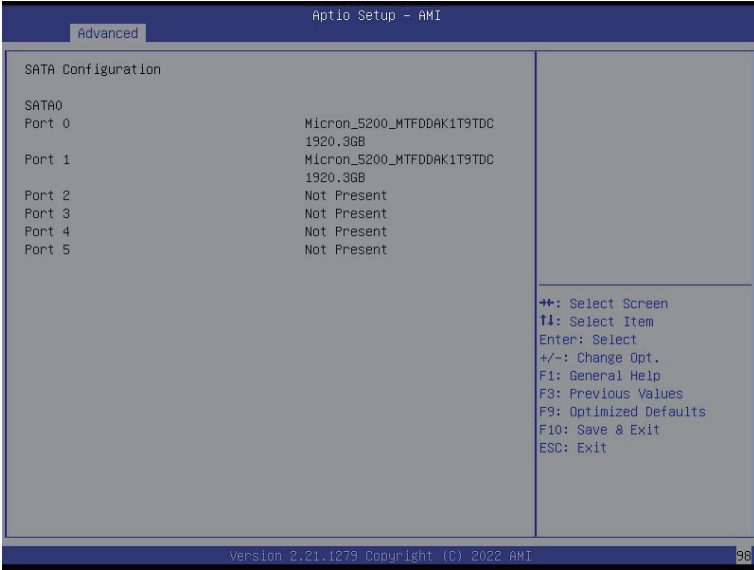
(Note) This item appears when **Network Stack** is set to **Enabled**.

## 5-2-11 NVMe Configuration



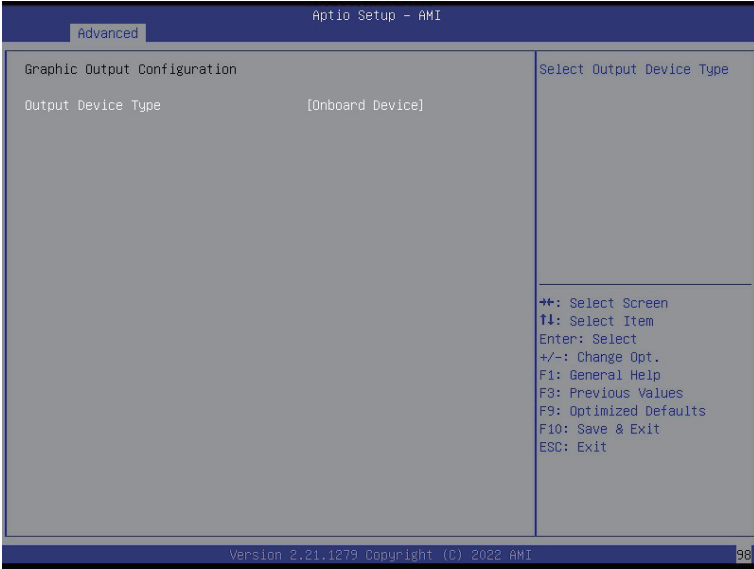
| Parameter          | Description  |
|--------------------|--|
| NVMe Configuration | Displays the NVMe devices connected to the system.   |
| NVMe LED Control   | Enable/Disable NVMe LED Control.<br>Options available: System Default, Disabled, Enabled.<br>Default setting is <b>Enabled</b> . |

## 5-2-12 SATA Configuration



| Parameter          | Description  |
|--------------------|--|
| SATA Configuration | Displays the installed HDD devices information. System will automatically detect HDD type. |

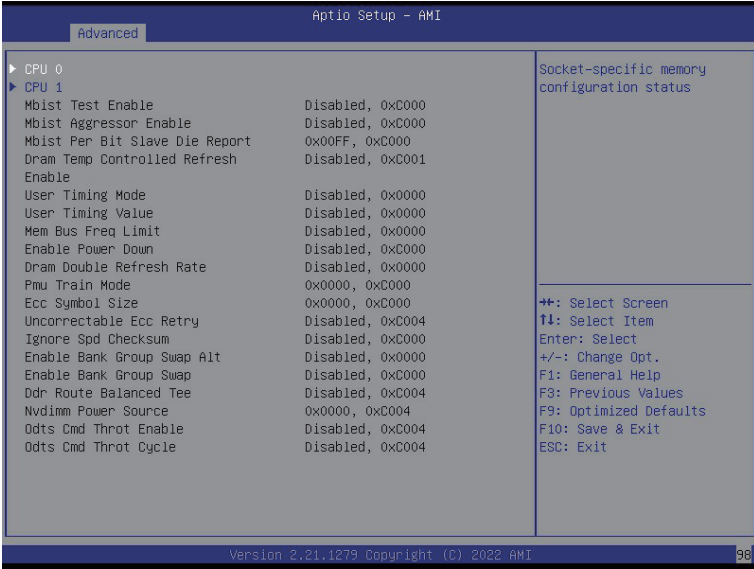
### 5-2-13 Graphic Output Configuration



| Parameter          | Description   |
|--------------------|---|
| Output Device Type | Selects output device type.<br>Options available: First loaded Device, Onboard Device, External Device, Specific Device. Default setting is <b>Onboard Device</b> . |



## 5-2-14 AMD Mem Configuration Status



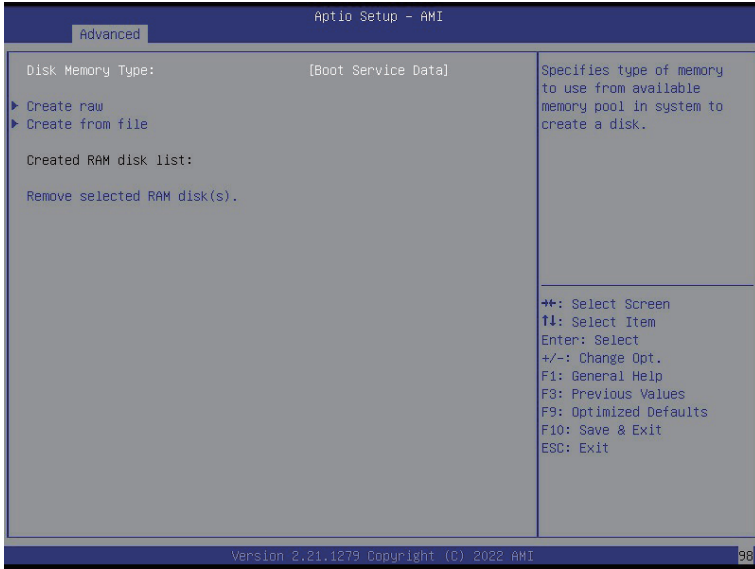
| Parameter | Description   |
|-----------|---|
| CPU 0/1   | Press [Enter] to view the memory configuration status related to CPU 0/1. |

## 5-2-15 Tls Auth Configuration



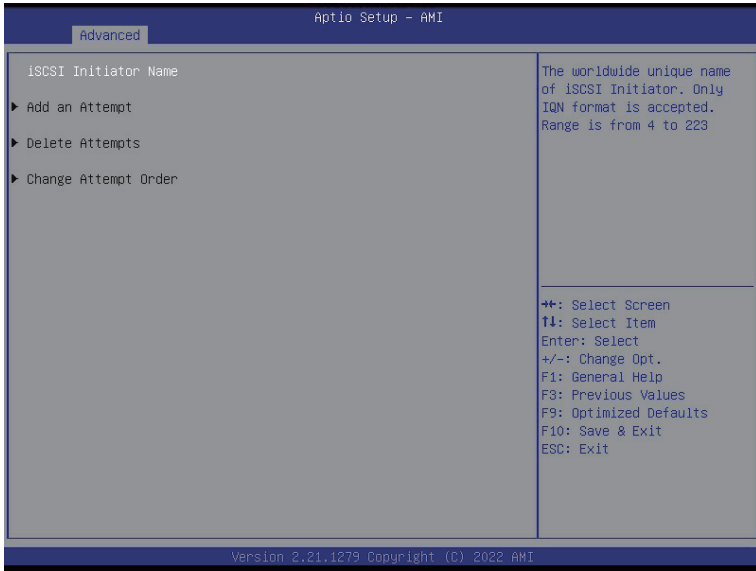
| Parameter                 | Description   |
|---------------------------|---|
| Server CA Configuration   | <p>Press [Enter] for configuration of advanced items.</p> <ul style="list-style-type: none"> <li>◆ Enroll Cert <ul style="list-style-type: none"> <li>– Press [Enter] to enroll a certificate <ul style="list-style-type: none"> <li>• Enroll Cert Using File</li> <li>• Cert GUID</li> </ul> </li> </ul> </li> </ul> <p>Input digit character in 1111111-2222-3333-4444-1234567890ab format.</p> <ul style="list-style-type: none"> <li>– Commit Changes and Exit</li> <li>– Discard Changes and Exit</li> </ul> |
| Client Cert Configuration | <p>Press [Enter] for configuration of advanced items.</p>   |

## 5-2-16 RAM Disk Configuration



| Parameter                   | Description  |
|-----------------------------|--|
| Disk Memory Type            | Specifies the type of memory to use from available memory pool in system to create a disk.<br>Options available: Boot Service Data, Reserved.<br>Default setting is <b>Boot Service Data</b> .   |
| Create Raw                  | Creates a raw RAM disk. <ul style="list-style-type: none"> <li>◆ Size (Hex) <ul style="list-style-type: none"> <li>– Input a valid RAM disk size that should be multiple of the RAM disk block size.</li> </ul> </li> <li>◆ Create &amp; Exit</li> <li>◆ Discard &amp; Exit</li> </ul> |
| Create from file            | Creates a RAM disk from a given file.  |
| Created RAM disk list       |  |
| Remove selected RAM disk(s) | Selects the RAM disk(s) to remove.   |

## 5-2-17 iSCSI Configuration



| Parameter            | Description   |
|----------------------|---|
| iSCSI Initiator Name | Press [Enter] and name iSCSI Initiator. Only IQN format is accepted. Range: from 4 to 223 |
| Add an Attempt       | Press [Enter] to configure advanced items.  |
| Delete Attempts      | Press [Enter] to configure advanced items.  |
| Change Attempt Order | Press [Enter] to configure advanced items.  |

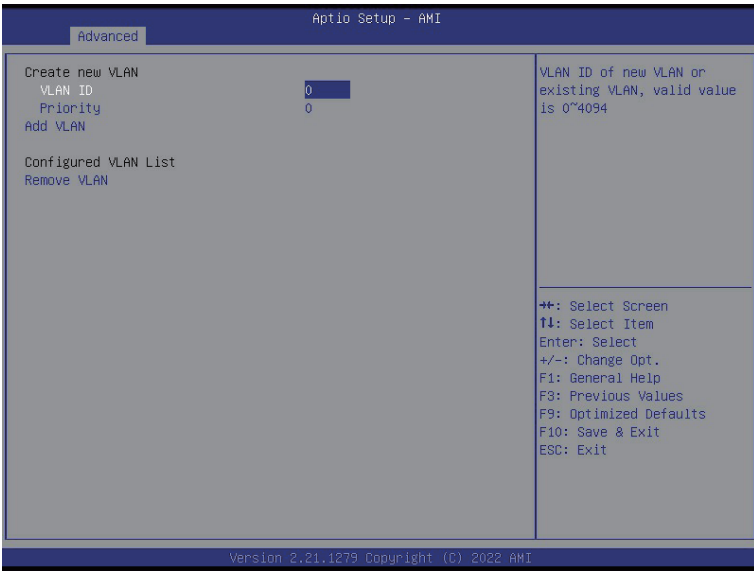
## 5-2-18 Intel(R) I350 Gigabit Network Connection

| Advanced   |  | Aptio Setup - AMI   |  |
|--|--|---|--|
| <p>▶ NIC Configuration</p> <p>Blink LEDs 0</p> <p>UEFI Driver Intel(R) PRO/1000 8.5.21<br/>PCI-E</p> <p>Adapter PBA 106300-000</p> <p>Device Name Intel(R) I350 Gigabit<br/>Network Connection</p> <p>Chip Type Intel i350</p> <p>PCI Device ID 1521</p> <p>PCI Address 01:00:00</p> <p>Link Status [Disconnected]</p> <p>MAC Address D8:5E:D3:81:64:F8</p> <p>Virtual MAC Address 00:00:00:00:00:00</p> |  | <p>Click to configure the network device port.</p> <hr/> <p>                     ++: Select Screen<br/>                     ↑↓: Select Item<br/>                     Enter: Select<br/>                     +/-: Change Opt.<br/>                     F1: General Help<br/>                     F3: Previous Values<br/>                     F9: Optimized Defaults<br/>                     F10: Save &amp; Exit<br/>                     ESC: Exit                 </p> |  |
| Version 2.21.1279 Copyright (C) 2022 AMI   |  |   |  |

| Advanced   |  | Aptio Setup - AMI   |  |
|--|--|---|--|
| <p>Link Speed [Auto Negotiated]</p> <p>Wake On LAN [Enabled]</p> |  | <p>Specifies the port speed used for the selected boot protocol.</p> <hr/> <p>                     ++: Select Screen<br/>                     ↑↓: Select Item<br/>                     Enter: Select<br/>                     +/-: Change Opt.<br/>                     F1: General Help<br/>                     F3: Previous Values<br/>                     F9: Optimized Defaults<br/>                     F10: Save &amp; Exit<br/>                     ESC: Exit                 </p> |  |
| Version 2.21.1279 Copyright (C) 2022 AMI                         |  |   |  |

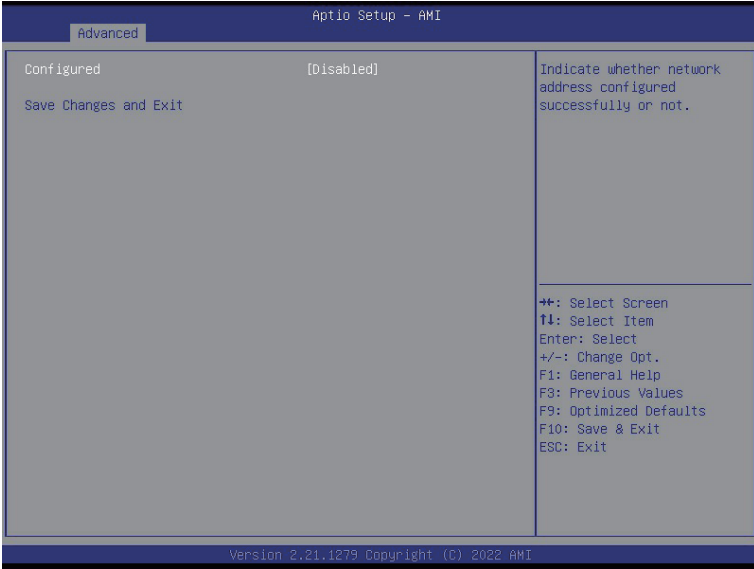
| Parameter           | Description   |
|---------------------|---|
| NIC Configuration   | <p>Press [Enter] to configure advanced items.</p> <ul style="list-style-type: none"> <li>◆ Link Speed <ul style="list-style-type: none"> <li>– Allows for automatic link speed adjustment.</li> <li>– Options available: Auto Negotiated, 10 Mbps Half, 10 Mbps Full, 100 Mbps Half, 100 Mbps Full. Default setting is <b>Auto Negotiated</b>.</li> </ul> </li> <li>◆ Wake On LAN <ul style="list-style-type: none"> <li>– Enables power on of the system via LAN. Note that configuring Wake on LAN in the operating system does not change the value of this setting, but does override the behavior of Wake on LAN in OS controlled power states.</li> <li>– Options available: Disabled, Enabled. Default setting is <b>Enabled</b>.</li> </ul> </li> </ul> |
| Blink LEDs          | <p>Identifies the physical network port by blinking the associated LED.<br/>Press the numeric keys to adjust desired values.</p>  |
| UEFI Driver         | Displays the technical specifications for the Network Interface Controller.   |
| Adapter PBA         | Displays the technical specifications for the Network Interface Controller.   |
| Device Name         | Displays the technical specifications for the Network Interface Controller.   |
| Chip Type           | Displays the technical specifications for the Network Interface Controller.   |
| PCI Device ID       | Displays the technical specifications for the Network Interface Controller.   |
| PCI Address         | Displays the technical specifications for the Network Interface Controller.   |
| Link Status         | Displays the technical specifications for the Network Interface Controller.   |
| MAC Address         | Displays the technical specifications for the Network Interface Controller.   |
| Virtual MAC Address | Displays the technical specifications for the Network Interface Controller.   |

## 5-2-19 VLAN Configuration



| Parameter                | Description   |
|--------------------------|---|
| Enter Configuration Menu | <p>Press [Enter] to configure advanced items.</p> <ul style="list-style-type: none"> <li>◆ Create new VLAN</li> <li>◆ VLAN ID <ul style="list-style-type: none"> <li>– Sets VLAN ID for a new VLAN or an existing VLAN.</li> <li>– Press the &lt;+&gt; / &lt;-&gt; keys to increase or decrease the desired values.</li> <li>– The valid range is from 0 to 4094.</li> </ul> </li> <li>◆ Priority <ul style="list-style-type: none"> <li>– Sets 802.1Q Priority for a new VLAN or an existing VLAN.</li> <li>– Press the &lt;+&gt; / &lt;-&gt; keys to increase or decrease the desired values.</li> <li>– The valid range is from 0 to 7.</li> </ul> </li> <li>◆ Add VLAN <ul style="list-style-type: none"> <li>– Press [Enter] to create a new VLAN or update an existing VLAN.</li> </ul> </li> <li>◆ Configured VLAN List</li> <li>◆ Remove VLAN <ul style="list-style-type: none"> <li>– Press [Enter] to remove an existing VLAN.</li> </ul> </li> </ul> |

## 5-2-20 MAC IPv4 Network Configuration



| Parameter                           | Description   |
|-------------------------------------|---|
| Configured                          | Indicates whether network address is configured successfully or not. Options available: Enabled, Disabled. Default setting is <b>Disabled</b> . |
| Enable DHCP <sup>(Note)</sup>       | Options available: Enabled, Disabled. Default setting is <b>Disabled</b> .  |
| Local IP Address <sup>(Note)</sup>  | Press [Enter] to configure local IP address.  |
| Local NetMask <sup>(Note)</sup>     | Press [Enter] to configure local NetMask.   |
| Local Gateway <sup>(Note)</sup>     | Press [Enter] to configure local Gateway  |
| Local DNS Servers <sup>(Note)</sup> | Press [Enter] to configure local DNS servers  |
| Save Changes and Exit               | Press [Enter] to save all configurations.   |

(Note) This item appears when **Configured** is set to **Enabled**.



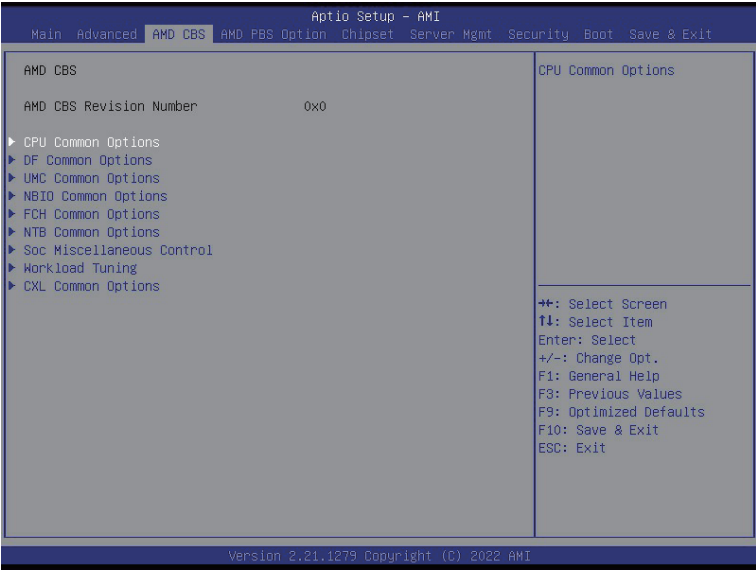
## 5-2-21 MAC IPv6 Network Configuration



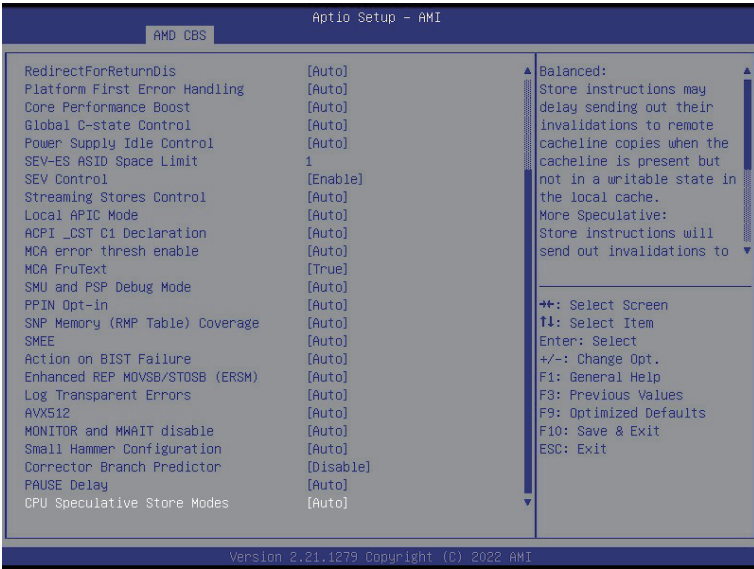
| Parameter                | Description   |
|--------------------------|---|
| Enter Configuration Menu | <p>Press [Enter] to configure advanced items.</p> <ul style="list-style-type: none"> <li>◆ Displays the MAC Address information.</li> <li>◆ Interface ID <ul style="list-style-type: none"> <li>– The 64 bit alternative interface ID for the device. The string is colon separated. e.g. ff:dd:88:66:cc:1:2:3.</li> </ul> </li> <li>◆ DAD Transmit Count <ul style="list-style-type: none"> <li>– The number of consecutive Neighbor solicitation messages sent while performing Duplicate Address Detection on a tentative address. A value of zero indicates that Duplicate Address Detection is not performed.</li> </ul> </li> <li>◆ Policy <ul style="list-style-type: none"> <li>– Options available: automatic, manual. Default setting is <b>automatic</b>.</li> </ul> </li> <li>◆ Save Changes and Exit <ul style="list-style-type: none"> <li>– Press [Enter] to save all configurations.</li> </ul> </li> </ul> |

### 5-3 AMD CBS Menu

AMD CBS menu displays submenu options for configuring the CPU-related information that the BIOS automatically sets. Select a submenu item, then press [Enter] to access the related submenu screen.



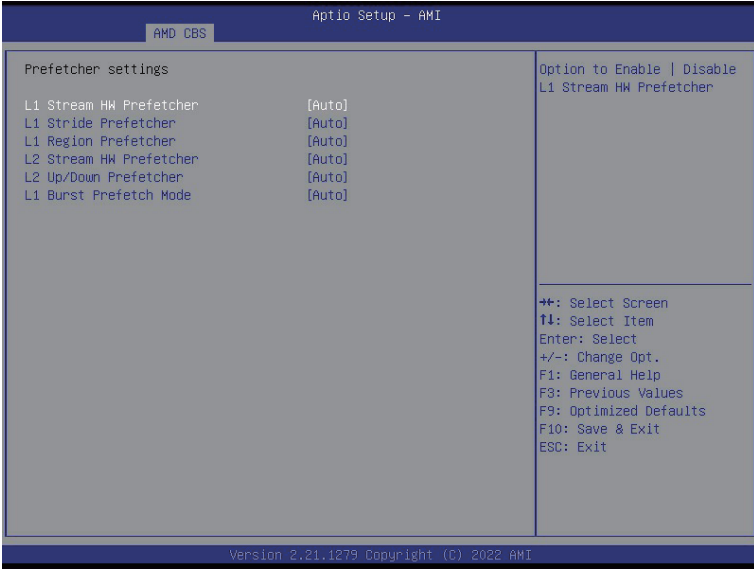
### 5-3-1 CPU Common Options



| Parameter                       | Description   |
|---------------------------------|---|
| CPU Common Options              |   |
| Performance                     | Press [Enter] for configuration of advanced items.  |
| REP-MOV/STOS Streaming          | Allow REP-MOV/STOS to use non-caching streaming stores for large sizes.<br>Options available: Disabled, Enabled. Default setting is <b>Enabled</b> .  |
| Prefetcher settings             | Press [Enter] for configuration of advanced items.  |
| Core Watchdog                   | Press [Enter] for configuration of advanced items.  |
| RedirectForReturnDis            | From a workaround for GCC/C000005 issue for XV Core on CZ A0, setting MSRC001_1029 Decode Configuration (DE_CFG) bit 14 [DecfgNoRdrctForReturns] to 1.<br>Options available: Auto, 1, 0. Default setting is <b>Auto</b> . |
| Platform First Error Handling   | Enable/Disable PFEH, cloak individual banks, and mask deferred error interrupts from each bank.<br>Options available: Enabled, Disabled, Auto. Default setting is <b>Auto</b> .   |
| Core Performance Boost          | Enable/Disable the Core Performance Boost function.<br>Options available: Disabled, Auto. Default setting is <b>Auto</b> .  |
| Global C-state Control          | Controls the IO based C-state generation and DF C-states.<br>Options available: Disabled, Enabled, Auto. Default setting is <b>Auto</b> .   |
| Power Supply Idle Control       | Configures the Power Supply Idle Control.<br>Options available: Low Current Idle, Typical Current Idle, Auto.<br>Default setting is <b>Auto</b> .   |
| SEV-ES ASID Space Limit         | Configures the Space limit for SEV-ES ASIDs.<br>Default setting is <b>1</b> .   |
| SEV Control                     | Enable/Disable SEV control.<br>Options available: Enable, Disable. Default setting is <b>Enable</b> .   |
| Streaming Stores Control        | Enable/Disable the Streaming Stores functionality.<br>Options available: Disabled, Enabled, Auto. Default setting is <b>Auto</b> .  |
| Local APIC Mode                 | Sets the Local APIC Mode.<br>Options available: Compatibility, xAPIC, x2APIC, Auto.<br>Default setting is <b>Auto</b> .   |
| ACPI_CST C1 Declaration         | Determines whether or not to declare the C1 state to the OS..<br>Options available: Disabled, Enabled, Auto. Default setting is <b>Auto</b> .   |
| MCA error thresh enable         | Enable MCA error thresholding.<br>Options available: False, True, Auto. Default setting is <b>True</b> .  |
| MCA FruText                     | Enable MCA FruText.<br>Options available: False, True. Default setting is <b>Auto</b> .   |
| SMU and PSP Debug Mode          | When this option is enabled, specific uncorrected errors detected by the PSP FW or SMU FW will hand and not reset the system.<br>Options available: Disabled, Enabled, Auto. Default setting is <b>Auto</b> .             |
| PPIN Opt-in                     | Enable/Disable the PPIN feature.<br>Options available: Disabled, Enabled, Auto. Default setting is <b>Auto</b> .  |
| SNP Memory (RMP Table) Coverage | Enabled: Enter system memory is covered.<br>Options available: Disabled, Enabled, Custom, Auto.<br>Default setting is <b>Auto</b> .   |

| <b>Parameter</b>                     | <b>Description</b>  |
|--------------------------------------|---|
| SMEE                                 | Controls the Secure Memory Encryption Enable (SMEE) function.<br>Options available: Disable, Enable, Auto. Default setting is <b>Auto</b> .                                       |
| Action on BIST Failure               | Action to take when a CCD BIST failure is detected.<br>Options available: Do nothing, Down-CCD, Auto. Default setting is <b>Auto</b> .  |
| Enhanced REP MOVSB/<br>STOSB (ERMSB) | Options available: Disabled, Enabled, Auto. Default setting is <b>Auto</b> .  |
| Log Transparent Errors               | Enable/Disable the log Transparent errors function.<br>Options available: Auto, Disabled, Enabled. Default setting is <b>Auto</b> .   |
| AVX512                               | Enable/Disable AVX512.<br>Options available: Disabled, Enabled, Auto. Default setting is <b>Auto</b> .  |
| MONITOR and MWAIT disable            | The MONITOR, MWAIT, MONITORX and MWAITX opcodes become invalid when enabled.<br>Options available: Enabled, Disabled, Auto. Default setting is <b>Auto</b>                        |
| Small Hammer Configuration           | Options available: Disabled, Enabled, Auto. Default setting is <b>Auto</b> .  |
| Corrector Branch Predictor           | Options available: Disable, Enable. Default setting is <b>Disable</b> .   |
| PAUSE Delay                          | Number a cycles thread will be idle after a PAUSE instruction.<br>Options available: Auto, Disable, 16 cycles, 32 cycles, 64 cycles, 128 cycles. Default setting is <b>Auto</b> . |
| CPU Speculative Store Modes          | Select the CPU speculative store modes.<br>Options available: Balanced, More Speculative, Less Speculative, Auto.<br>Default setting is <b>Auto</b> .                             |

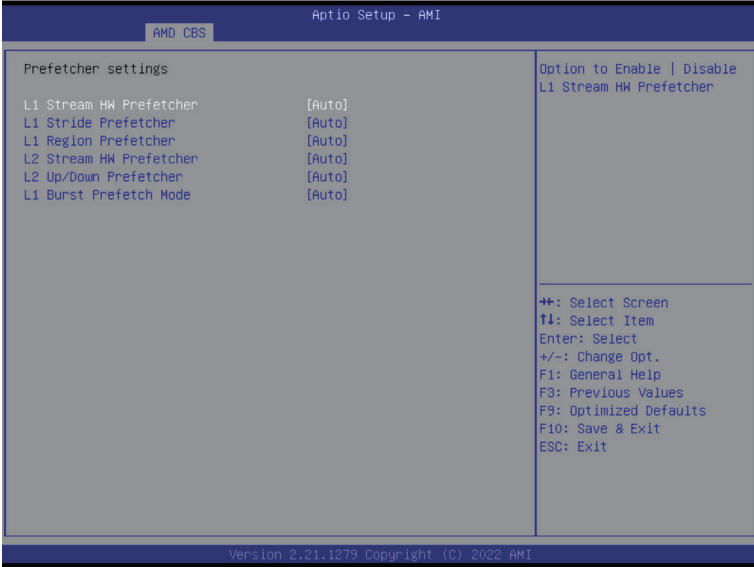
### 5-3-1-1 Performance



| Parameter                  | Description  |
|----------------------------|--|
| Performance                |  |
| OC Mode <sup>(Notes)</sup> | Options available: Normal Operation, Customized. Default setting is <b>Normal Operation</b> .  |
| Custom Core Pstates        | Allows you to accept or decline enabling Custom Core Pstates. When accepted, you can disable or customize core pstates.  |
| CCD/Core/Thread Enablement | <p>Allows you to accept or decline enabling CCDs, processor cores and threads. When accepted, you can control the number of CCDs to be used, and the number of cores to be used.</p> <ul style="list-style-type: none"> <li>◆ CCD Control           <ul style="list-style-type: none"> <li>– Options available: Auto, 2 CCDs, 4 CCDs, 6 CCDs, 8 CCDs, 10 CCDs. Default setting is <b>Auto</b>.</li> </ul> </li> <li>◆ Core Control           <ul style="list-style-type: none"> <li>– Options available: Auto, ONE(1+0), TWO(2+0), THREE(3+0), FOUR(4+0), FIVE(5+0), SIX(6+0), SEVEN(7+0).</li> <li>– Default setting is <b>Auto</b>.</li> </ul> </li> </ul> |
| SMT Control                | <p>Can be used to disable symmetric multithreading. To re-enable SMT, a POWER CYCLE is needed after select the 'Enable' option. Select 'Auto' base on BIOS PCD. (PcdAmdSmtMode) default setting.</p> <p>Options available: Disable, Enable, Auto. Default setting is <b>Enable</b>.</p>  |

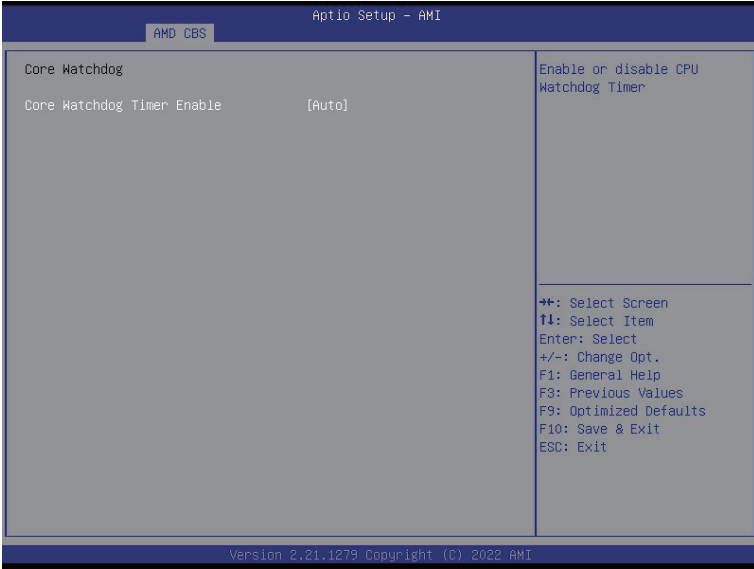
(Note) Advanced items are configurable when this item is defined.

### 5-3-1-2 Prefetcher Settings



| Parameter               | Description   |
|-------------------------|---|
| Prefetcher settings     |   |
| L1 Stream HW Prefetcher | Enable/Disable L1 Stream HW Prefetcher.<br>Options available: Disable, Enable, Auto. Default setting is <b>Auto</b> .   |
| L1 Stride Prefetcher    | Use memory access history of individual instructions to fetch additional lines when each access is a constant distance from the previous.<br>Enable/Disable L1 Stride Prefetcher.<br>Options available: Disable, Enable, Auto. Default setting is <b>Auto</b> .     |
| L1 Region Prefetcher    | Use memory access history to fetch additional lines when the data access for a given instruction tends to be followed by other data accesses.<br>Enable/Disable L1 Region Prefetcher.<br>Options available: Disable, Enable, Auto. Default setting is <b>Auto</b> . |
| L2 Stream HW Prefetcher | Enable/Disable L2 Stream HW Prefetcher.<br>Options available: Disable, Enable, Auto. Default setting is <b>Auto</b> .   |
| L2 Up/Down Prefetcher   | Use memory access history to determine whether to fetch the next or previous line for all memory accesses.<br>Enable/Disable L2 Up/Down Prefetcher.<br>Options available: Disable, Enable, Auto. Default setting is <b>Auto</b> .                                   |
| L1 Burst Prefetch Mode  | Enable/Disable L1 Burst Prefetch Mode.<br>Options available: Disable, Enable, Auto. Default setting is <b>Auto</b> .  |

### 5-3-1-3 Core Watchdog

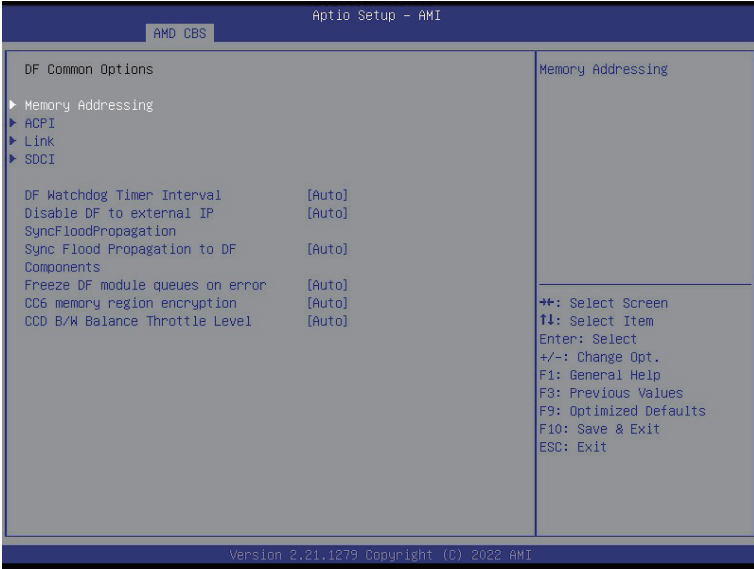


| Parameter                                    | Description   |
|--|---|
| Core Watchdog                                |   |
| Core Watchdog Timer Enable <sup>(Note)</sup> | Enable/Disable CPU Watchdog Timer.<br>Options available: Disabled, Enabled, Auto. Default setting is <b>Auto</b> .  |
| Core Watchdog Timer Interval                 | Select the CPU Watchdog Timer interval.<br>Options available: 2.681s, 1.340s, 669.41ms, 334.05ms, 166.37ms, 82.53ms, 40.61ms, 20.970ms, 10.484ms, 5.241ms, 2.620ms, 1.309ms, 654.08us, 326.4us, 162.56us, 80.64us, 39.68us, Auto.<br>Default setting is <b>Auto</b> . |

(Note) Advanced items prompt when this item is defined.



### 5-3-2 DF Common Options



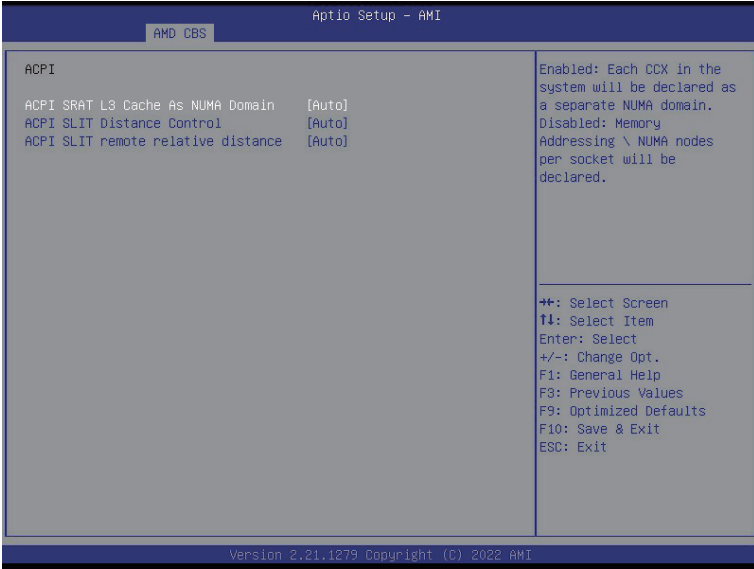
| Parameter  | Description   |
|--|---|
| DF Common Options                                |   |
| Memory Addressing                                | Press [Enter] for configuration of advanced items.  |
| ACPI   | Press [Enter] for configuration of advanced items.  |
| Link   | Press [Enter] for configuration of advanced items.  |
| SDCI   | Press [Enter] for configuration of advanced items.  |
| DF Watchdog Timer Interval                       | Configures the Data Fabric watchdog timer interval.<br>Options available: Auto, 41ms, 166ms, 334ms, 669ms, 1.34 seconds, 2.68 seconds, 5.36 seconds. Default setting is <b>Auto</b> . |
| Disable DF to external IP sync flood propagation | Enable/Disable SyncFlood to UMC & downstream slaves.<br>Options available: Sync flood disabled, Sync flood enabled, Auto.<br>Default setting is <b>Auto</b> .                         |
| Sync flood propagation to DF Components          | Enable/Disable DF Sync Flood propagation.<br>Options available: Sync flood disabled, Sync flood enabled, Auto.<br>Default setting is <b>Auto</b> .                                    |
| Freeze DF module queues on error                 | Options available: Disabled, Enabled, Auto. Default setting is <b>Auto</b> .  |
| CC6 memory region encryption                     | Controls whether or not the CC6 save/restor memory is encrypted.<br>Options available: Disabled, Enabled, Auto. Default setting is <b>Auto</b> .                                      |
| CCD B/W Balance Throttle Level                   | Options available: Auto, Level 0, Level 1, Level 2, Level 3, Level 4. Default setting is <b>Auto</b> .  |

### 5-3-2-1 Memory Addressing



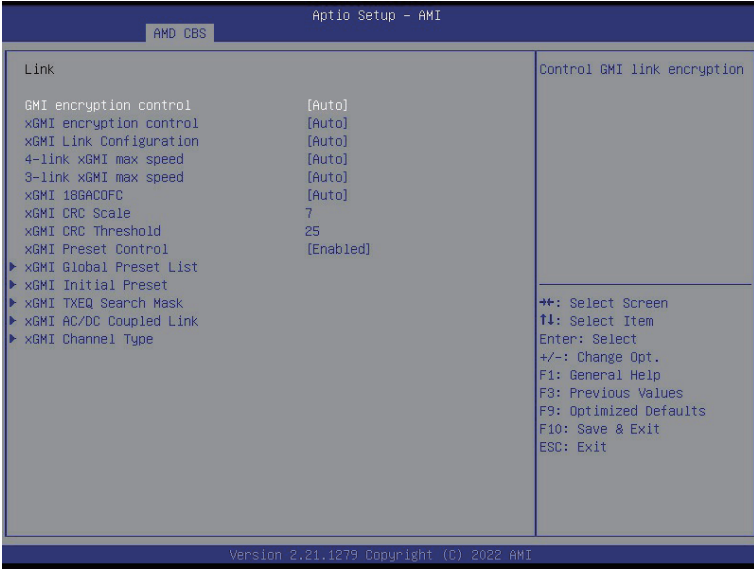
| Parameter                          | Description  |
|------------------------------------|--|
| Memory Addressing                  |  |
| NUMA nodes per socket              | Specifies the number of desired NUMA nodes per socket.<br>Options available: NPS0,NPS1,NPS2,NPS4, Auto. Default setting is <b>Auto</b> .<br>NOTE!<br><ul style="list-style-type: none"> <li>• <b>Available options may vary by system configuration.</b></li> <li>• <b>Only dual processor configuration supports NPS0.</b></li> </ul> |
| Memory interleaving                | Enable/Disable the Memory interleaving feature.<br>Options available: Disabled, Auto, Enabled. Default setting is <b>Auto</b> .  |
| 1TB remap                          | Enable/Disable to remap DRAM out of the space just below the 1TB boundary.<br>The ability to remap depends on DRAM configuration, NPS, and interleaving selection, and may not always be possible.<br>Options available: Do not remap, Attempt to remap, Auto.<br>Default setting is <b>Auto</b> .                                     |
| DRAM map inversion                 | Enable/Disable the DRAM map inversion function.<br>Options available: Disabled, Enabled, Auto. Default setting is <b>Auto</b> .  |
| Location of private memory regions | Controls whether or not the private memory regions (PSP, SMU and CC6) are at the top of DRAM or distributed.<br>Options available: Distributed, Consolidated, Auto. Default setting is <b>Auto</b> .   |
| CXL Memory interleaving            | Options available: Disabled, Enabled, Auto. Default setting is <b>Auto</b> .   |
| CXL Sublink interleaving           | Options available: Enable, Disable, Auto. Default setting is <b>Auto</b> .   |

### 5-3-2-2 ACPI



| Parameter                          | Description  |
|------------------------------------|--|
| ACPI                               |  |
| ACPI SRAT L3 Cache As NUMA Domain  | Enable/Disable report each L3 cache as a NUMA Domain to the OS.<br>Options available: Disabled, Enabled, Auto. Default setting is <b>Auto</b> .    |
| ACPI SLIT Distance Control         | Determines how the SLIT distances are declared.<br>Options available: Manual, Auto. Default setting is <b>Auto</b> .                               |
| ACPI SLIT remote relative distance | Sets the remote socket distance for 2P systems as near (2.8) or far (3.2).<br>Options available: Near, Far, Auto. Default setting is <b>Auto</b> . |

### 5-3-2-3 Link



| Parameter               | Description   |
|-------------------------|---|
| GMI encryption control  | Enable/Disable GMI link encryption.<br>Options available: Disabled, Enabled, Auto. Default setting is <b>Auto</b> .   |
| xGMI encryption control | Enable/Disable xGMI link encryption.<br>Options available: Disabled, Enabled, Auto. Default setting is <b>Auto</b> .  |
| xGMI Link Configuration | Configures the number of xGMI2 links used on a multi-socket system.<br>Options available: Auto, 3 xGMI Links, 4 xGMI Links. Default setting is <b>Auto</b> .  |
| 4-link xGMI max speed   | Specifies the max speed of 4-link xGMI.<br>Options available: 12Gbps, 16Gbps, 17Gbps, 18Gbps, 20Gbps, 22Gbps, 23Gbps, 24Gbps, 25Gbps, 26Gbps, 27Gbps, 30Gbps, 32Gbps, Auto.<br>Default setting is <b>Auto</b> . |
| 3-link xGMI max speed   | Specifies the max speed of 3-link xGMI.<br>Options available: 12Gbps, 16Gbps, 17Gbps, 18Gbps, 20Gbps, 22Gbps, 23Gbps, 24Gbps, 25Gbps, 26Gbps, 27Gbps, 30Gbps, 32Gbps, Auto.<br>Default setting is <b>Auto</b> . |
| xGMI 18GACOFC           | Configures xGMI 18GACOFC.<br>Options available: Auto, Enable, Disable. Default setting is <b>Auto</b> .   |
| xGMI CRC Scale          | Configures leaky bucket scale for xGMI and WAFL CRC errors. Every scale milliseconds an error will leak from the CRC counter. Default setting is 7.   |
| xGMI CRC Threshold      | Configures leaky bucket threshold for xGMI and WAFL CRC errors. If link CRC counter exceeds this threshold, an error will be logged. Default setting is 25.   |
| xGMI Preset Control     | Enable/Disable xGMI Preset control.<br>Options available: Disabled, Enabled, Auto. Default setting is <b>Auto</b> .   |

| Parameter               | Description   |
|-------------------------|---|
| xGMI Global Preset List | Press [Enter] to configure the xGMI Preset list.  |
| xGMI Initial Preset     | Press [Enter] to configure the xGMI Initial Preset CPU0/1 link.   |
| xGMI TXEQ Search Mask   | Press [Enter] to configure the xGMI TXEQ Search Mask CPU0/1 link.   |
| xGMI AC/DC Coupled Link | Press [Enter] to configure the xGMI AC/DC Coupled link.<br>♦ xGMI AC/DC Coupled Link Control <sup>(Note)</sup><br>– Options available: Manual, Auto. Default setting is <b>Auto</b> . |
| xGMI Channel Type       | Press [Enter] to configure the xGMI Channel Type.<br>♦ xGMI Channel Type Control <sup>(Note)</sup><br>– Options available: Manual, Auto. Default setting is <b>Auto</b> .             |

(Note) Advanced items prompt when this item is defined.

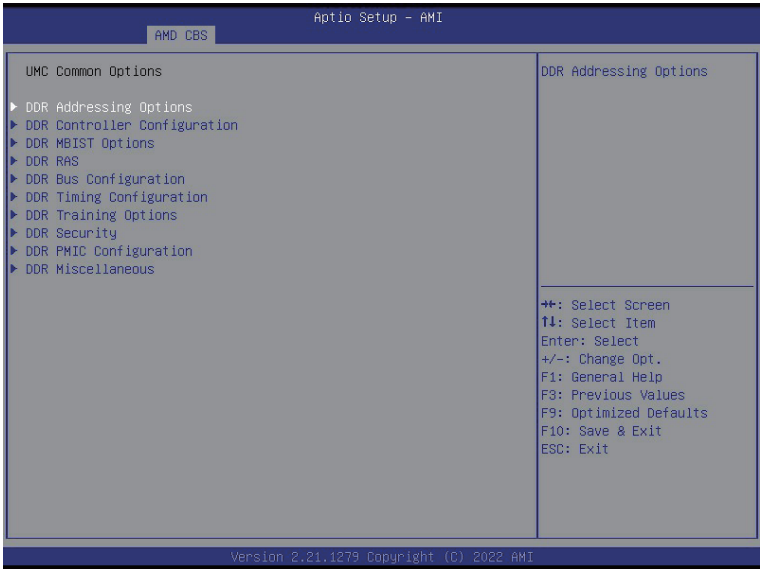
### 5-3-2-4 SDCI



| Parameter              | Description  |
|------------------------|--|
| SDCI <sup>(Note)</sup> | Options available: Disabled, Enabled, Auto. Default setting is <b>Auto</b> . |
| DisRmSteer             | Options available: Disabled, Enabled, Auto. Default setting is <b>Auto</b> . |

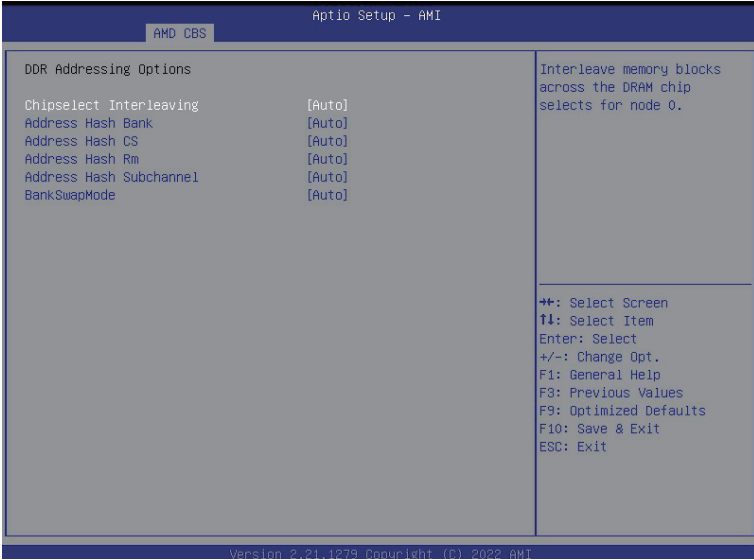
(Note) Advanced items prompt when this item is defined.

### 5-3-3 UMC Common Options



| Parameter                    | Description  |
|------------------------------|--|
| UMC Common Options           |  |
| DDR4 Addressing Options      | Press [Enter] for configuration of advanced items. |
| DDR Controller Configuration | Press [Enter] for configuration of advanced items. |
| DDR MBIST Options            | Press [Enter] for configuration of advanced items. |
| DDR RAS                      | Press [Enter] for configuration of advanced items. |
| DDR Bus Configuration        | Press [Enter] for configuration of advanced items. |
| DDR Timing Configuration     | Press [Enter] for configuration of advanced items. |
| DDR Training Options         | Press [Enter] for configuration of advanced items. |
| DDR Security                 | Press [Enter] for configuration of advanced items. |
| DDR PMIC Configuration       | Press [Enter] for configuration of advanced items. |
| DDR Miscellaneous            | Press [Enter] for configuration of advanced items. |

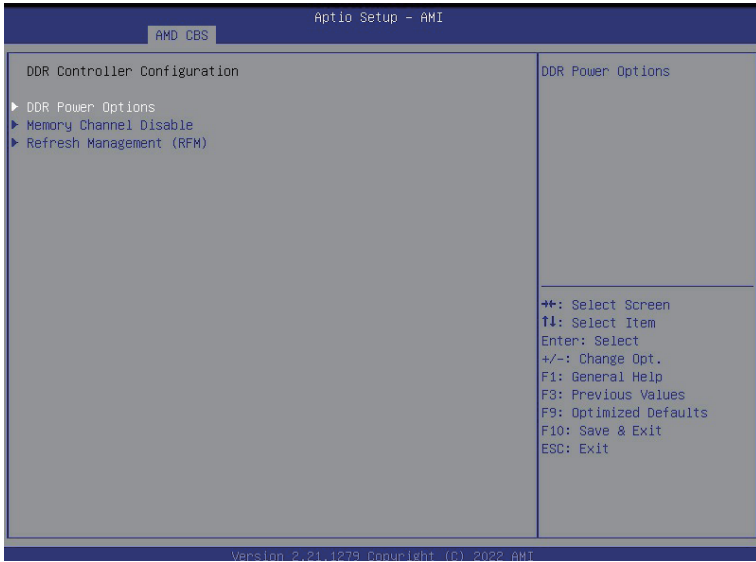
### 5-3-3-1 DDR Addressing Options



| Parameter               | Description   |
|-------------------------|---|
| DDR Addressing Options  |   |
| Chipselect Interleaving | Interleaves memory blocks across the DRAM chip selects for node 0.<br>Options available: Disabled, Auto. Default setting is <b>Auto</b> . |
| Address Hash Bank       | Enable or disable bank addressing hashing.<br>Options available: Enabled, Disabled, Auto. Default setting is <b>Auto</b> .                |
| Address Hash CS         | Enable or disable CS addressing hashing.<br>Options available: Enabled, Disabled, Auto. Default setting is <b>Auto</b> .                  |
| Address Hash Rm         | Enable or disable RM addressing hashing.<br>Options available: Enabled, Disabled, Auto. Default setting is <b>Auto</b> .                  |
| Address Hash Subchannel | Enable or disable sub-channel addressing hashing.<br>Options available: Enabled, Disabled, Auto. Default setting is <b>Auto</b> .         |
| Bank SwapMode           | Options available: Auto, Disabled, Swap CPU. Default setting is <b>Auto</b> .   |

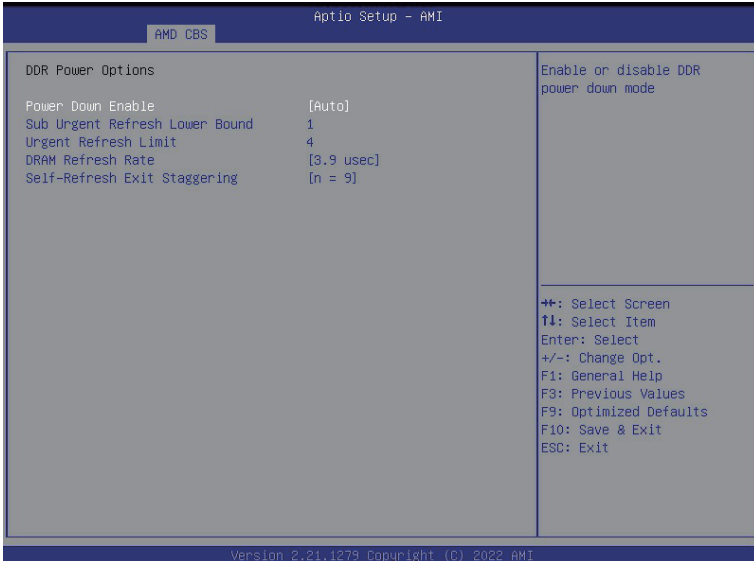


### 5-3-3-2 DDR Controller Configuration



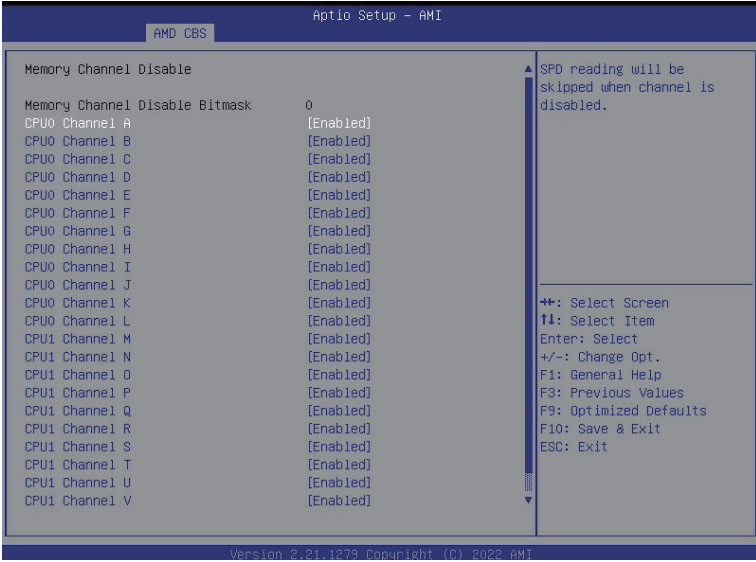
| Parameter                   | Description  |
|-----------------------------|--|
| DDR Cotroller Configuration |  |
| DDR Power Options           | Press [Enter] for configuration of advanced items. |
| Memory Channel Diable       | Press [Enter] for configuration of advanced items. |
| Refresh Management (RFM)    | Press [Enter] for configuration of advanced items. |

### 5-3-3-2-1 DDR Power Options

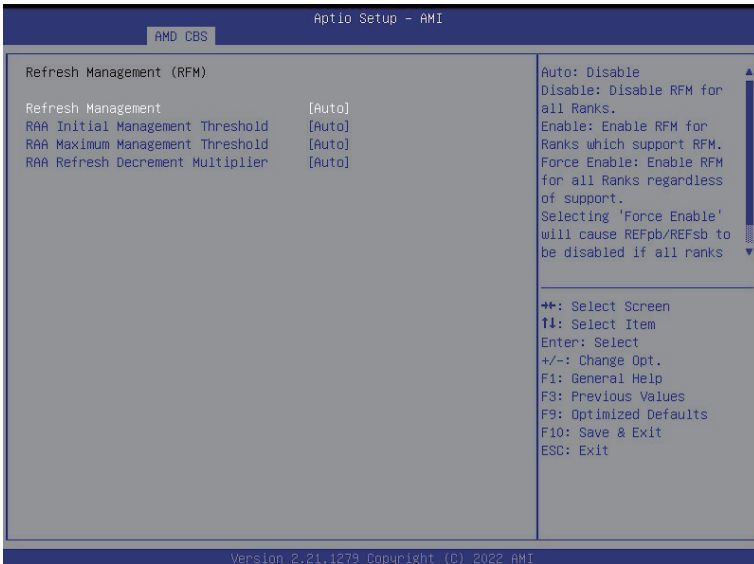


| Parameter                      | Description  |
|--------------------------------|--|
| DDR Power Options              |  |
| Power Down Enable              | Enable or disable DDR power down mode.<br>Options available: Enabled, Disabled, Auto. Default setting is <b>Auto</b> . |
| Sub Urgent Refresh Lower Bound | Specifies the stored refresh limit required to enter sub-urgent refresh mode.  |
| Urgent Refresh Limit           | Specifies the stored refresh limit required to enter urgent refresh mode.  |
| DRAM Refresh Rate              | DRAM refresh rate: 1.95us or 3.9us.<br>Options available: 1.95usec 3.9 usec. Default setting is <b>3.9 usec</b> .      |
| Self-Refresh Exit Staggering   | Options available: n=1~9. Default setting is <b>n=9</b> .  |

### 5-3-3-2-2 Memory Channel Disable

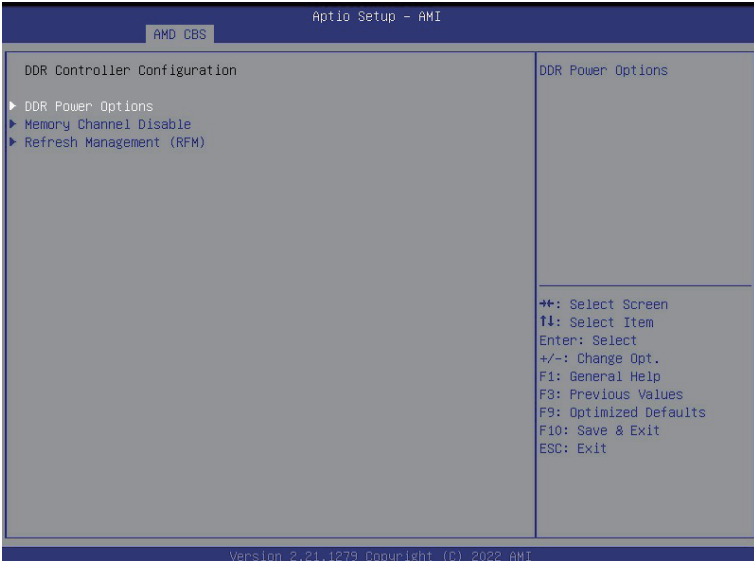


| Parameter                      | Description  |
|--------------------------------|--|
| Memory Channel Disable         |  |
| Memory Channel Disable Bitmask |  |
| CPU0/CPU1 Channel_#            | Press [Enter] to enable/disable specific memory channel. |



| Parameter                        | Description   |
|----------------------------------|---|
| Refresh Management (RFM)         |   |
| Refresh Management               | Configure Refresh Management.<br>Options available: Enable, Disable, Auto, Force Enable. Default setting is <b>Auto</b> .                               |
| RAA Initial Management Threshold | Override Rolling Accumulated ACT Initial Management Threshold.<br>Options available: 32, 40, 48, 56, 64, 72, 80, Auto. Default setting is <b>Auto</b> . |
| RAA Maximum Management Threshold | Override Rolling Accumulated ACT Maximum Management Threshold.<br>Options available: 3X, 4X, 5X, 6X, Auto. Default setting is <b>Auto</b> .             |
| RAA Refresh Decrement Multiplier | Override RAA Refresh Decrement Multiplier.<br>Options available: 0.5, 1, Auto. Default setting is <b>Auto</b> .   |

### 5-3-3-3 DDR MBIST Options



| Parameter  | Description  |
|--|--|
| DDR MBIST Options                                    |  |
| MBIST Enable   | Enable/Disable the Memory MBIST function.<br>Options available: Enabled/Disabled. Default setting is <b>Disabled</b> .   |
| MBIST Test Mode <sup>(Note1)</sup>                   | Selects MBIST Test Mode.<br><b>Interface Mode</b> : Tests Single and Multiple CS transactions and Basic Connectivity.<br><b>Data Eye Mode</b> : Measures Voltage vs. Timing.<br>Options available: Auto, Both, Interface Mode, Data Eye Mode. Default setting is <b>Auto</b> . |
| MBIST Aggressors <sup>(Note1)</sup>                  | Enable/Disable MBIST Aggressor test.<br>Options available: Auto, Enabled, Disabled. Default setting is <b>Auto</b> .   |
| MBIST Per Bit Slave Die Reporting <sup>(Note1)</sup> | Enable/Disable to report 2D data eye results in ABL log for each DQ, Chipselect, and Channel.<br>Options available: Auto, Enabled, Disabled. Default setting is <b>Auto</b> .  |
| Data Eye   | Press [Enter] to configure advanced items.   |
| Memory Healing BIST                                  | Enable/Disable memory healing BIST.<br>Options available: Disabled, PMU Mem BIST, Self-Healing Mem BIST, PMU, and Self-Healing Mem BIST. Default setting is <b>Disabled</b> .  |
| DDR Healing BIST Execution Mode <sup>(Note2)</sup>   | Options available: One Time, Every boot.<br>Default setting is <b>One Time</b> .   |

| Parameter   | Description   |
|---|---|
| PMU Mem BIST Algorithm<br>DDR Healing BIST <sup>(Note2)</sup> | For DRAM errors found in the BIOS memory BIST select the repair type.<br>Options available: Soft, Repair, Hard Repair, No Repairs -Test only..<br>Default setting is <b>Soft Repair</b> . |

### 5-3-3-3-1 Data Eye

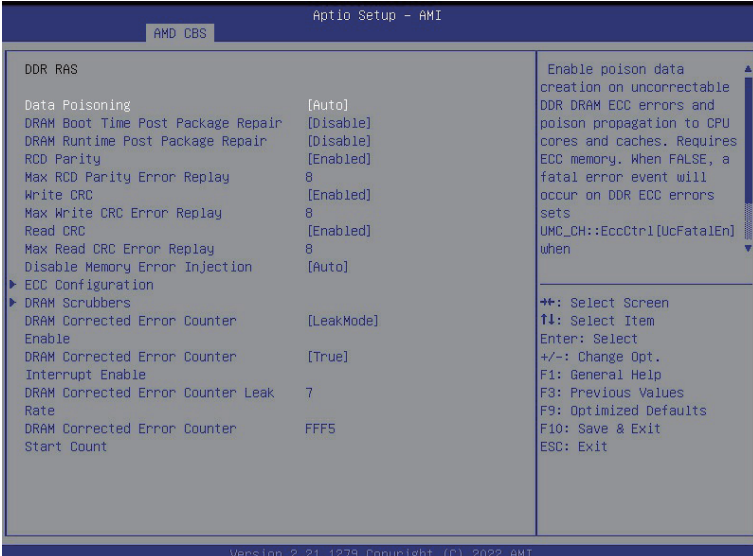


| Parameter                                  | Description  |
|--|--|
| Data Eye                                   |  |
| Pattern Select                             | Options available: PRBS, SSO, Both. Default setting is <b>PRBS</b> .   |
| Pattern Length                             | Determines the pattern length. The possible options are N=3....12.   |
| Aggressor Channel                          | This item helps read the aggressors channels.<br>Options available: Disabled, 1 Aggressor Channel, 3 Aggressor Channels, 7 Aggressor Channels. Default setting is <b>1 Aggressor Channel</b> . |
| Aggressor Static Lane Control              | Enable/Disable the Aggressor Static Lane Control function.<br>Options available: Enabled/Disabled. Default setting is <b>Disabled</b> .  |
| Aggressor Static Lane Select Upper 32 bits | This item is configurable when <b>Aggressor Static Lane Control</b> is set to <b>Enabled</b> .   |
| Aggressor Static Lane Select Lower 32 bits | This item is configurable when <b>Aggressor Static Lane Control</b> is set to <b>Enabled</b> .   |
| Aggressor Static Lane Select ECC           | This item is configurable when <b>Aggressor Static Lane Control</b> is set to <b>Enabled</b> .   |
| Aggressor Static Lane Value                | This item is configurable when <b>Aggressor Static Lane Control</b> is set to <b>Enabled</b> .   |
| Target Static Lane Control                 | Enable/Disable the Target Static Lane Control function.<br>Options available: Enabled/Disabled. Default setting is <b>Disabled</b> .   |

| Parameter                               | Description  |
|---|--|
| Target Static Lane Select Upper 32 bits | This item is configurable when <b>Target Static Lane Control</b> is set to <b>Enabled</b> .  |
| Target Static Lane Select Lower 32 bits | This item is configurable when <b>Target Static Lane Control</b> is set to <b>Enabled</b> .  |
| Target Static Lane Select ECC           | This item is configurable when <b>Target Static Lane Control</b> is set to <b>Enabled</b> .  |
| Target Static Lane Value                | This item is configurable when <b>Target Static Lane Control</b> is set to <b>Enabled</b> .  |
| Worst Case Margin Granularity           | Configures Worst Case Margin Granularity.<br>Options available: Per Chip Select, Per Nibble.<br>Default setting is <b>Worst Case Margin Only</b> . |
| Read Voltage Sweep Step Size            | Configures the step size for read Data Eye voltage sweep.<br>Options available: 1, 2, 4. Default setting is <b>2</b> .                             |
| Read Timing Sweep Step Size             | Configures the step size for read Data Eye timing sweep.<br>Options available: 1, 2, 4. Default setting is <b>1</b> .                              |
| Write Voltage Sweep Step                | Configures the step size for write Data Eye voltage sweep.<br>Options available: 1, 2, 4. Default setting is <b>2</b> .                            |
| Write Timing Sweep Step Size            | Configures the step size for write Data Eye timing sweep.<br>Options available: 1, 2, 4. Default setting is <b>1</b> .                             |
| Silent Execution                        | Enable Mbist Target Static Lane Control.<br>Options available: Enabled, Disabled. Default setting is <b>Disabled</b> .                             |



### 5-3-3-4 DDR RAS

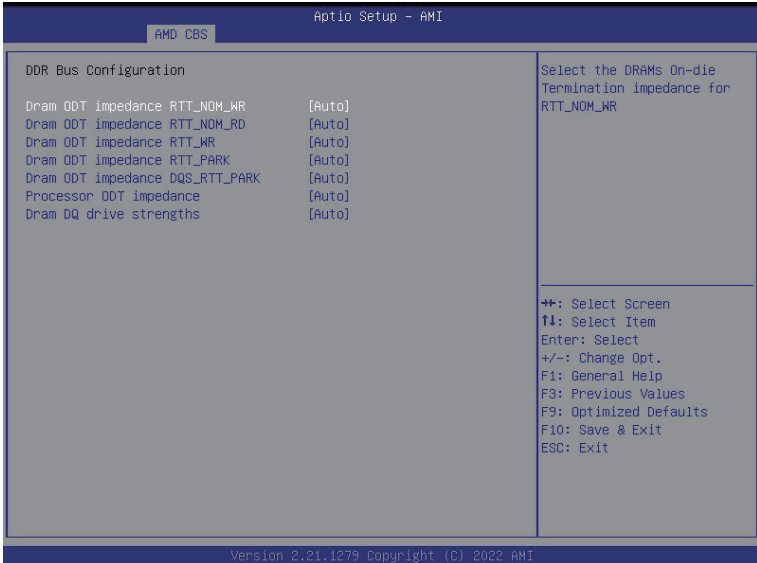


| Parameter                        | Description   |
|----------------------------------|---|
| DDR RAS                          |   |
| Data Poisoning                   | Enable/Disable the Data Poisoning function.<br>Options available: Auto, Enabled, Disabled. Default setting is <b>Auto</b> .             |
| DRAM Boot Time Package Repair    | Enable/Disable the DRAM Boot Package Repair function.<br>Options available: Enable/Disable. Default setting is <b>Disable</b> .         |
| DRAM Runtime Post Package Repair | Enable/Disable the DRAM Runtime Post Package Repair function.<br>Options available: Enable/Disable. Default setting is <b>Disable</b> . |
| RCD Parity                       | Enable/Disable the RCD Parity function.<br>Options available: Auto, Enabled, Disabled. Default setting is <b>Enabled</b> .              |
| Max RCD Parity Error Replay      | Default setting is <b>8</b> .   |
| Write CRC                        | Enable/Disable the Write CRC function.<br>Options available: Auto, Enabled, Disabled. Default setting is <b>Enabled</b> .               |
| Max Write CRC Error Replay       | Default setting is <b>8</b> .   |
| Read CRC                         | Enable/Disable the Read CRC function.<br>Options available: Auto, Enabled, Disabled. Default setting is <b>Enabled</b> .                |
| Max Read CRC Error Replay        | Default setting is <b>8</b> .   |
| Disable Memory Error Injection   | Options available: False/True, Auto. Default setting is <b>Auto</b> .   |

| Parameter         | Description   |
|-------------------|---|
| ECC Configuration | Press [Enter] to configure advanced items.  |
|                   | <ul style="list-style-type: none"> <li>◆ DRAM ECC Symbol Size <ul style="list-style-type: none"> <li>– Configures the DRAM ECC Symbol Size.</li> <li>– Options available: Auto, x4, x8, x16. Default setting is <b>Auto</b>.</li> </ul> </li> </ul>                                   |
|                   | <ul style="list-style-type: none"> <li>◆ DRAM ECC Enable <ul style="list-style-type: none"> <li>– Enable/Disable DRAM ECC. When set to Auto, it will set ECC to enable.</li> <li>– Options available: Auto, Enabled, Disabled. Default setting is <b>Auto</b>.</li> </ul> </li> </ul> |
|                   | <ul style="list-style-type: none"> <li>◆ DRAM UECC Retry <ul style="list-style-type: none"> <li>– Enable/Disable DRAM UECC Retry.</li> <li>– Options available: Auto, Enabled, Disabled. Default setting is <b>Disabled</b>.</li> </ul> </li> </ul>                                   |
|                   | <ul style="list-style-type: none"> <li>◆ Max DRAM UECC Error Replay <ul style="list-style-type: none"> <li>– Default setting is <b>8</b>.</li> </ul> </li> </ul>  |
|                   | <ul style="list-style-type: none"> <li>◆ Memory Clear <ul style="list-style-type: none"> <li>– Options available: Auto, Enabled, Disabled. Default setting is <b>Auto</b>.</li> </ul> </li> </ul>   |
|                   | <ul style="list-style-type: none"> <li>◆ Address XDR after ECC <ul style="list-style-type: none"> <li>– Options available: Auto, Enabled, Disabled. Default setting is <b>Disabled</b>.</li> </ul> </li> </ul>  |

|   |   |
|---|---|
| DRAM Scrubbers                                | <p>Press [Enter] to configure advanced items.</p> <ul style="list-style-type: none"> <li>◆ DRAM ECS Mode <ul style="list-style-type: none"> <li>– Options available: Auto, AutoECS, Manual1EECS, DisableECS. Default setting is <b>Auto</b>.</li> </ul> </li> <li>◆ DRAM Redirect Scrubber Enable <ul style="list-style-type: none"> <li>– Options available: Auto, Enabled, Disabled. Default setting is <b>Auto</b>.</li> </ul> </li> <li>◆ DRAM Scrub Redirection Limit <ul style="list-style-type: none"> <li>– Options available: Auto, 8 Scrubs, 4 Scrubs, 2 Scrubs, 1 Scrub. Default setting is <b>Auto</b>.</li> </ul> </li> <li>◆ DRAM Scrub Time <ul style="list-style-type: none"> <li>– Options available: Auto, 1 hour, 4 hours, 6 hours, 8 hours, 12 hours, 16 hours, 24 hours, 48 hours. Default setting is <b>24 Hours</b>.</li> </ul> </li> <li>◆ DRAM Error Threshold Count <ul style="list-style-type: none"> <li>– Options available: Auto, ETC_4, ETC_16, ETC_64, ETC_256, ETC_1024, ETC_4096. Default setting is <b>Auto</b>.</li> </ul> </li> <li>◆ DRAM ECS Count Mode <ul style="list-style-type: none"> <li>– Options available: Auto, Row Count Mode, Code Word Count Mode. Default setting is <b>Auto</b>.</li> </ul> </li> <li>◆ DRAM AutoEcs during Self Refresh <ul style="list-style-type: none"> <li>– Options available: Auto, AutoEcs Disabled, AutoEcs Enabled. Default setting is <b>Auto</b>.</li> </ul> </li> <li>◆ DRAM ECS WriteBack Suppression <ul style="list-style-type: none"> <li>– Options available: Auto, Enable, Disable. Default setting is <b>Auto</b>.</li> </ul> </li> <li>◆ DRAM X4 WriteBack Suppression <ul style="list-style-type: none"> <li>– Options available: Auto, Enable, Disable. Default setting is <b>Auto</b>.</li> </ul> </li> </ul> |
| DRAM Corrected Error Counter Enabled          | <p>Configure DRAM Corrected Error Counter function.<br/>Options available: Disable, NoLeakMode, Leak Mode, Auto. Default setting is <b>Leak Mode</b>.</p>   |
| DRAM Corrected Error Counter Interrupt Enable | <p>Enable SMI when DRAM corrected Error Counter count exceeds the threshold value.<br/>Options available: Disable, NoLeakMode, Leak Mode, Auto. Default setting is <b>Leak Mode</b>.</p>  |
| DRAM Corrected Counter Leak Rate              | <p>Program Rate value for DRAM Corrected Error Counter function.<br/>Default setting is <b>7</b>.</p>   |
| DRAM Corrected Error Counter Start Count      | <p>Program starting value for DRAM Corrected Error Counter function.<br/>Default setting is <b>FFF5</b>.</p>  |

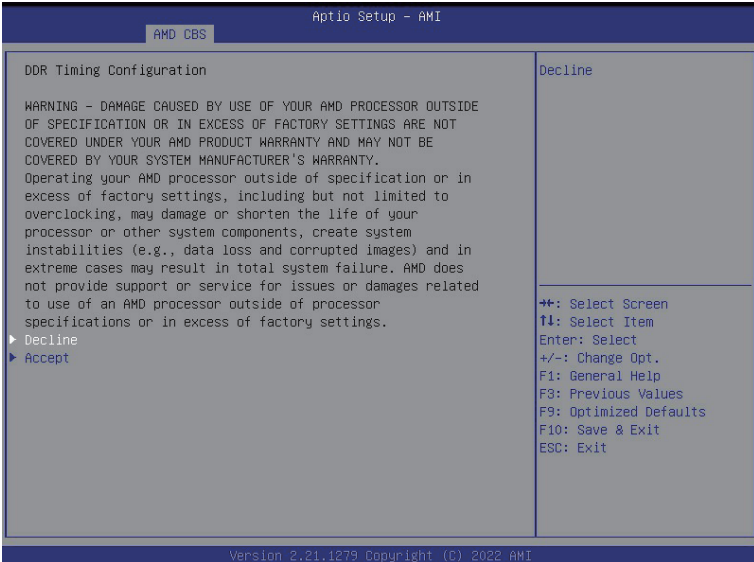
### 5-3-3-5 DDR Bus Configuration



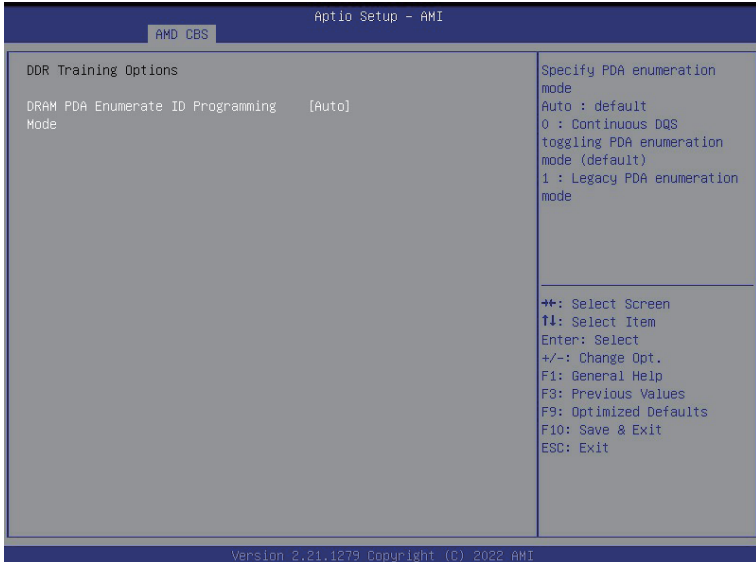
| Parameter                       | Description   |
|---------------------------------|---|
| DDR Bus Configuration           |   |
| Dram ODT impedance RTT_NOM_WR   | Select the DRAMs On-die Termination impedance for RTT_NOM_WR.<br>Options available: Auto, RTT_OFF, RZQ (240), RZQ/2 (120), RZQ/3 (80), RZQ/4 (60), RZQ5/(40), RZQ6/(20), RZQ7/(34).<br>Default setting is <b>Auto</b> .   |
| Dram ODT impedance RTT_NOM_RD   | Select the DRAMs On-die Termination impedance for RTT_NOM_RD.<br>Options available: Auto, RTT_OFF, RZQ (240), RZQ/2 (120), RZQ/3 (80), RZQ/4 (60), RZQ5/(40), RZQ6/(20), RZQ7/(34).<br>Default setting is <b>Auto</b> .   |
| Dram ODT impedance RTT_WR       | Select the DRAMs On-die Termination impedance for RTT_WR.<br>Options available: Auto, RTT_OFF, RZQ (240), RZQ/2 (120), RZQ/3 (80), RZQ/4 (60), RZQ5/(40), RZQ6/(20), RZQ7/(34).<br>Default setting is <b>Auto</b> .       |
| Dram OD Timpedance RTT_PARK     | Select the DRAMs On-die Termination impedance for RTT_PARK.<br>Options available: Auto, RTT_OFF, RZQ (240), RZQ/2 (120), RZQ/3 (80), RZQ/4 (60), RZQ5/(40), RZQ6/(20), RZQ7/(34).<br>Default setting is <b>Auto</b> .     |
| Dram OD Timpedance DQS_RTT_PARK | Select the DRAMs On-die Termination impedance for DQS_RTT_PARK.<br>Options available: Auto, RTT_OFF, RZQ (240), RZQ/2 (120), RZQ/3 (80), RZQ/4 (60), RZQ5/(40), RZQ6/(20), RZQ7/(34).<br>Default setting is <b>Auto</b> . |

| Parameter               | Description  |
|-------------------------|--|
| Processor ODT impedance | Select the ODT impedance for all DBYTE IOs.<br>Options available: Auto, High Impedance, 480 ohm, 240 ohm, 160 ohm, 120 ohm, 96 ohm, 80 ohm, 68.6 ohm, 60 ohm, 53.3 ohm, 48 ohm, 43.6 ohm, 40 ohm, 36.9 ohm, 34.3 ohm, 32 ohm, 30 ohm, 28.2 ohm, 26.7 ohm, 25.3 ohm. Default setting is <b>Auto</b> . |
| Dram DQ drive strengths | Select the Dram Pull-up and Pull-Down Output Driver Impedance for all DQ and DMI IOs..<br>Options available: Auto, 48 ohm, 40 ohm, 34 ohm, Default setting is <b>Auto</b> .  |

### 5-3-3-6 DDR Timing Configuration



### 5-3-3-7 DDR Training Options



| Parameter                         | Description  |
|-----------------------------------|--|
| DDR Training Options              |  |
| DRAM PDA Enumerate ID Programming | Specify PDA enumeration mode.<br>Options available: Auto, Toggling PDA enumeration mode, Legacy PDA enumeration mode. Default setting is <b>Auto</b> . |

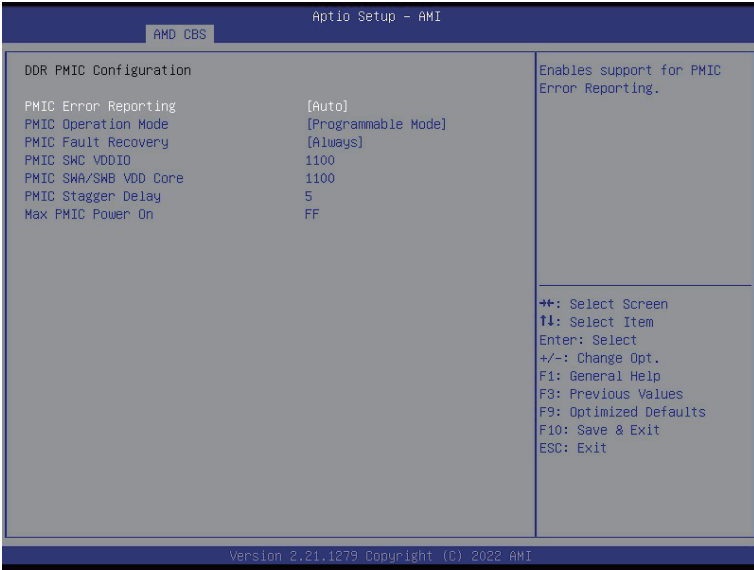
### 5-3-3-8 DDR Security



| Parameter     | Description   |
|---------------|---|
| Security      |   |
| TSME          | Enable/Disable Transparent SME.<br>Options available: Auto, Enabled, Disabled. Default setting is <b>Auto</b> . |
| AES           | Options available: AES-128, AES-256. Default setting is <b>AES-256</b> .  |
| Data Scramble | Enable/Disable Data Scrambling.<br>Options available: Enabled, Disabled. Default setting is <b>Enabled</b> .    |
| SME-MK        | Options available: Enabled, Disabled. Default setting is <b>Disabled</b> .                                      |



### 5-3-3-9 DDR PMIC Configuration



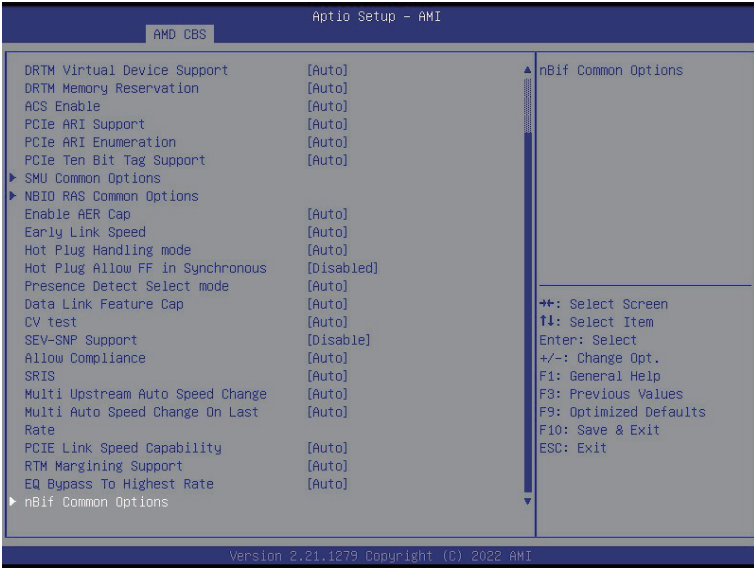
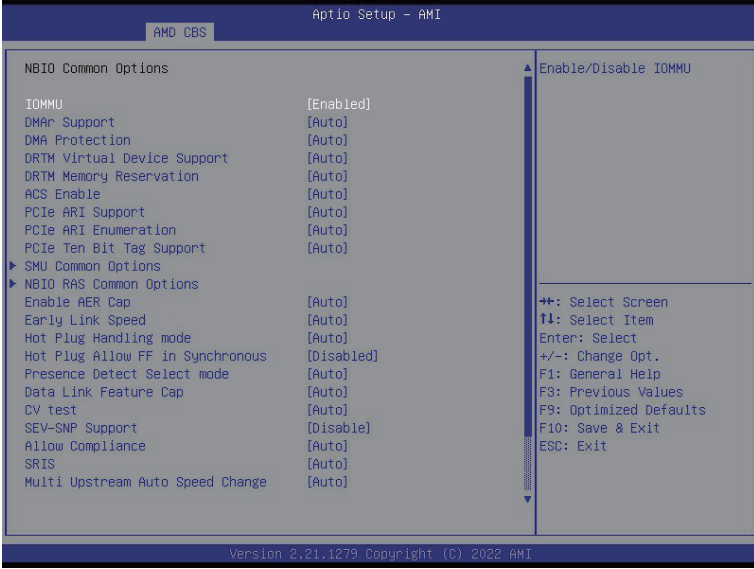
| Parameter              | Description   |
|------------------------|---|
| DDR PMIC Configuration |   |
| PMIC Error Reporting   | Enables support for PMIC Error Reporting.<br>Options available: Auto, False, True. Default setting is <b>Auto</b> . |
| PMIC Operation Mode    | Options available: Secure Mode, Programming Mode.<br>Default setting is <b>Programming Mode</b> .                   |
| PMIC Fault Recovery    | Options available: Always, Never, Once. Default setting is <b>Always</b> .  |
| PMIC SWC VDDIO         | Default setting is <b>1100</b> .  |
| PMIC SWA/SWB VDD Core  | Default setting is <b>1100</b> .  |
| PMIC Stagger Delay     | Default setting is <b>5</b> .   |
| Max PMIC Power On      | Default setting is <b>FF</b> .  |

### 5-3-3-10 DDR Miscellaneous



| Parameter                | Description   |
|--------------------------|---|
| DDR Miscellaneous        |   |
| DRAM Survives Warm Reset | Options available: Enabled, Disabled. Default setting is <b>Enabled</b> . |

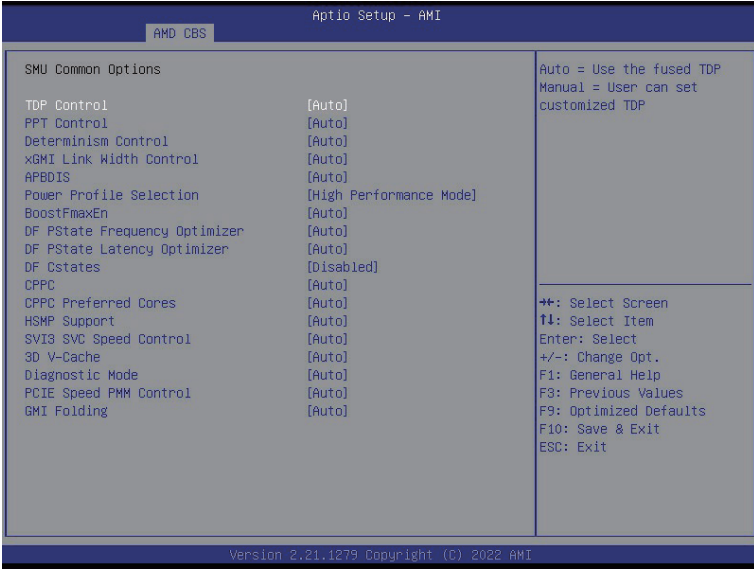
### 5-3-4 NBIO Common Options



| Parameter                        | Description   |
|----------------------------------|---|
| NBIO Common Options              |   |
| IOMMU                            | Enable/Disable the IOMMU function.<br>Options available: Disabled, Enabled. Default setting is <b>Enabled</b> .   |
| DMAr Support                     | Enable/Disable DMAr system protection during POST.<br>Options available: Disabled, Enabled, Auto. Default setting is <b>Auto</b> .  |
| DMA Protection                   | Enable/Disable DMA remap support in IVRS IVinfo Field.<br>Options available: Auto, Enabled, Disabled. Default setting is <b>Auto</b> .  |
| DRTM Virtual Device Support      | Enable/Disable DRTM ACPI virtual device.<br>Options available: Disabled, Enabled, Auto. Default setting is <b>Auto</b> .  |
| DRTM Memory Reservation          | Enable/Disable DRTM Memory reservation.<br>Options available: Disabled, Enabled, Auto. Default setting is <b>Auto</b> .   |
| ACS Enable                       | Enable/Disable ACS.<br>Options available: Enable, Disabled, Auto. Default setting is <b>Auto</b> .  |
| PCIe ARI Support                 | Enable/Disable Alternative Routing-ID Interpretation.<br>Options available: Disable, Enable, Auto. Default setting is <b>Auto</b> .   |
| PCIe ARI Enumeration             | ARI Forwarding Enable for each downstream port.<br>Options available: Disable, Enable, Auto. Default setting is <b>Auto</b> .   |
| PCIe Ten Bit Tag Support         | Enable/Disable PCIe ten bit tags for supported devices. (Auto=Disabled)<br>Options available: Disable, Enable, Auto. Default setting is <b>Auto</b> .   |
| SMU Common Options               | Press [Enter] for configuration of advanced items.  |
| NBIO RAS Common Options          | Press [Enter] for configuration of advanced items.  |
| Enable AER Cap                   | Enable/Disable Advanced Error Reporting Capability.<br>Options available: Enable, Disabled, Auto. Default setting is <b>Auto</b> .  |
| Early Link Speed                 | Configures Early Link Speed.<br>Options available: Auto, Gen1, Gen2. Default setting is <b>Auto</b> .   |
| Hot Plug Handling mode           | Controls the Hot Plug Handling mode.<br>Options available: OS First, Firmware First/EDR if OS supports, Firmware First but allow OS First, System Firmware Intermediary, Auto. Default setting is <b>Auto</b> . |
| Hot Plug Allow FF in Synchronous | Allows firmware first hot plug handling mode to operate in mode A and mode B synchronous mappings.<br>Options available: Disabled, Enabled. Default setting is <b>Disabled</b> .                                |
| Presence Detect Select mode      | Controls the Presence Detect Select mode.<br>Options available: OR, AND, Auto. Default setting is <b>Auto</b> .   |

| Parameter                            | Description   |
|--------------------------------------|---|
| Data Link Feature Cap                | Enable/Disable the data link feature capability.<br>Options available: Enabled, Disabled, Auto. Default setting is <b>Auto</b> .                  |
| CV test                              | Enable/Disable the running PCIe CV tool support.<br>Options available: Auto, Enabled, Disabled. Default setting is <b>Auto</b> .                  |
| SEV-SNP Support                      | Enable/Disable the SEV-SNP support.<br>Options available: Disable, Enable. Default setting is <b>Disable</b> .                                    |
| Allow Compliance                     | When enabled, allows the PCIe RP to enter Polling.Compliance state.<br>Options available: Auto, Disable, Enable. Default setting is <b>Auto</b> . |
| SRIS                                 | Options available: Auto, Disable, Enable. Default setting is <b>Auto</b> .  |
| Multi Upstream Auto Speed Change     | Defines the setting of this feature for all PCIe devices.<br>Options available: Disabled, Enabled, Auto. Default setting is <b>Auto</b> .         |
| Multi Auto Speed Change On Last Rate | Options available: Disable, Enable, Auto. Default setting is <b>Auto</b> .  |
| PCIe Link Speed Capability           | Options available: Maximum speed, Gen1, Gen2, Gen3, Gen4, Gen5, Auto.<br>Default setting is <b>Auto</b> .   |
| RTM Margining Support                | Options available: Disable, Enable, Auto. Default setting is <b>Auto</b> .  |
| EQ Bypass To Highest Rate            | Options available: Disable, Enable, Auto. Default setting is <b>Auto</b> .  |
| nBif Common Options                  | Press [Enter] for configuration of advanced items.  |

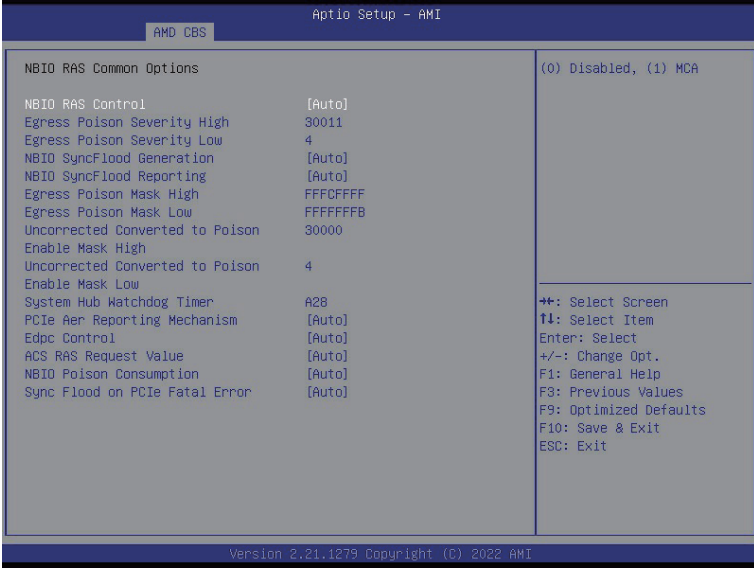
### 5-3-4-1 SMU Common Options



| Parameter                     | Description   |
|-------------------------------|---|
| SMU Common Options            |   |
| TDP Control                   | Options available: Manual, Auto. Default setting is <b>Auto</b> .   |
| PPT Control                   | Options available: Manual, Auto. Default setting is <b>Auto</b> .   |
| Determinism Control           | Selects use the fused Determinism or set customized Determinism.<br>Options available: Manual, Auto. Default setting is <b>Auto</b> .     |
| xGMI Link Width Control       | Options available: Manual, Auto. Default setting is <b>Auto</b> .   |
| APBDIS                        | Options available: 0, 1, Auto. Default setting is <b>Auto</b> .   |
| Power Profile Selection       | Options available: High Performance Mode, Efficiency Mode, Maximum IO Performance Mode. Default setting is <b>High Performance Mode</b> . |
| BoostFmaxEn                   | Options available: Manual, Auto. Default setting is <b>Auto</b> .   |
| DF PState Frequency Optimizer | Options available: Auto, Enabled, Disabled. Default setting is <b>Auto</b> .  |
| DF PState Latency Optimizer   | Options available: Auto, Enabled, Disabled. Default setting is <b>Auto</b> .  |
| DF Cstates                    | Options available: Disabled, Enabled, Auto. Default setting is <b>Disabled</b> .  |
| CPPC                          | Enable/Disable the CPPC feature.<br>Options available: Disabled, Enabled, Auto. Default setting is <b>Auto</b> .                          |

| <b>Parameter</b>       | <b>Description</b>   |
|------------------------|--|
| CPPC Preferred Cores   | Options available: Disabled, Enabled, Auto. Default setting is <b>Auto</b> .   |
| HSMP Support           | Enable/Disable the HSMP support.<br>Options available: Disabled, Enabled, Auto. Default setting is <b>Auto</b> .   |
| SVI3 SVC Speed Control | Options available: Auto, Manual. Default setting is <b>Auto</b> .  |
| 3D V-Cache             | Options available: Auto, Disable, 1 stack, 2 stack, 4 stack.<br>Default setting is <b>Auto</b> .   |
| Diagnostic Mode        | Options available: Disabled, Enabled, Auto. Default setting is <b>Auto</b> .   |
| PCIe Speed PMM Control | Options available: Dynamic link speed determined by Power Management functionality, Static Target Link Speed (GEN4), Static Target Link Speed (GEN5), Auto. Default setting is <b>Auto</b> . |
| GMI Folding            | Options available: Disabled, Enabled, Auto. Default setting is <b>Auto</b> .   |

### 5-3-4-2 NBIO RAS Common Options



| Parameter                   | Description  |
|-----------------------------|--|
| NBIO RAS Common Options     |  |
| NBIO RAS Control            | Options available: Disabled, MCA, Auto. Default setting is <b>Auto</b> .   |
| Egress Poison Severity High | Configures the Egress Poison High Severity. Each bit set to 1 enables High severity on the associated IOHC egress port. A bit of 0 indicates LOW severity.           |
| Egress Poison Severity Low  | Configures the Egress Poison Low Severity. Each bit set to 1 enables High severity on the associated IOHC egress port. A bit of 0 indicates LOW severity.            |
| NBIO SyncFlood Generation   | The value may be used to mask SyncFlood caused by NBIO RAS options. Options available: Enabled, Disabled, Auto. Default setting is <b>Auto</b> .                     |
| NBIO SyncFlood Reporting    | The value may be used to enable SyncFlood reporting to APML. Options available: Enabled, Disabled, Auto. Default setting is <b>Auto</b> .                            |
| Egress Poison Mask High     | Enables mask for masking of errors logged in EGRESS_POISON_STATUS. For each bit set to 1, errors are masked. For each bit set to 0, errors trigger response actions. |
| Egress Poison Mask Low      | Enables mask for masking of errors logged in EGRESS_POISON_STATUS. For each bit set to 1, errors are masked. For each bit set to 0, errors trigger response actions. |



| Parameter  | Description   |
|--|---|
| Uncorrected Converted to Poison Enable Mask High | Enables mask for masking of uncorrectable parity errors on internal arrays.   |
| Uncorrected Converted to Poison Enable Mask Low  | Enables mask for masking of uncorrectable parity errors on internal arrays.   |
| System Hub Watchdog Timer                        | Specifies the timer interval of the SYSHUB Watchdog timer in milliseconds.  |
| PCIe Aer Reporting Mechanism                     | Selects the method of reporting AER errors from PCI Express. Options available: Firmware First, Firmware First but allow OS First, OS First, Auto. Default setting is <b>Auto</b> . |
| Edpc Control                                     | Options available: Disabled, Enabled, Auto. Default setting is <b>Auto</b> .  |
| ACS RAS Request Value                            | Options available: Direct Request Access Enabled, Request Blocking Enabled, Request Redirect Enabled, Auto. Default setting is <b>Auto</b> .  |
| NBIO Poison Consumption                          | Options available: Auto, Enabled, Disabled. Default setting is <b>Auto</b> .  |
| Sync Flood on PCIe Fatal Error                   | Options available: Auto, True, False. Default setting is <b>Auto</b> .  |

### 5-3-4-3 nBif Common Options

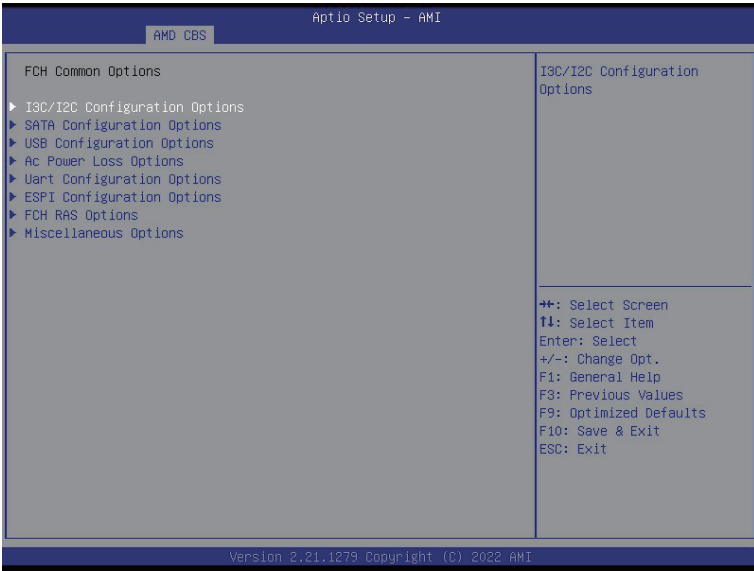


| Parameter | Description  |
|-----------|--|
| MPDMA-TF  | <ul style="list-style-type: none"> <li>◆ SRIOV                             <ul style="list-style-type: none"> <li>– Options available: Auto, Disable, Enable. Default setting is <b>Auto</b>.</li> </ul> </li> <li>◆ ARI                             <ul style="list-style-type: none"> <li>– Options available: Auto/Default, Disable, Enable. Default setting is <b>Auto/Default</b>.</li> </ul> </li> <li>◆ AER                             <ul style="list-style-type: none"> <li>– Options available: Auto, Disable, Enable. Default setting is <b>Auto</b>.</li> </ul> </li> <li>◆ ACS                             <ul style="list-style-type: none"> <li>– Options available: Auto, Disable, Enable. Default setting is <b>Auto</b>.</li> </ul> </li> <li>◆ ATS                             <ul style="list-style-type: none"> <li>– Options available: Auto, Disable, Enable. Default setting is <b>Auto</b>.</li> </ul> </li> <li>◆ PASID                             <ul style="list-style-type: none"> <li>– Options available: Auto, Disable, Enable. Default setting is <b>Auto</b>.</li> </ul> </li> <li>◆ RTR                             <ul style="list-style-type: none"> <li>– Options available: Auto, Disable, Enable. Default setting is <b>Auto</b>.</li> </ul> </li> <li>◆ PAGE_REQ                             <ul style="list-style-type: none"> <li>– Options available: Auto, Disable, Enable. Default setting is <b>Auto</b>.</li> </ul> </li> <li>◆ PWR                             <ul style="list-style-type: none"> <li>– Options available: Auto, Disable, Enable. Default setting is <b>Auto</b>.</li> </ul> </li> <li>◆ ATC_ENABLE                             <ul style="list-style-type: none"> <li>– Options available: Auto, Disable, Enable. Default setting is <b>Auto</b>.</li> </ul> </li> </ul> |

| Parameter | Description  |
|-----------|--|
| RCC_DEV0  | <ul style="list-style-type: none"> <li>◆ ACS Rcc_Dev0               <ul style="list-style-type: none"> <li>– Options available: Auto, Disable, Enable. Default setting is <b>Auto</b>.</li> </ul> </li> </ul>                      |
|           | <ul style="list-style-type: none"> <li>◆ AER Rcc_Dev0               <ul style="list-style-type: none"> <li>– Options available: Auto, Disable, Enable. Default setting is <b>Auto</b>.</li> </ul> </li> </ul>                      |
|           | <ul style="list-style-type: none"> <li>◆ DllEnableStrap1               <ul style="list-style-type: none"> <li>– Options available: Auto, Disable, Enable. Default setting is <b>Auto</b>.</li> </ul> </li> </ul>                   |
|           | <ul style="list-style-type: none"> <li>◆ Phy16GTStrap1               <ul style="list-style-type: none"> <li>– Options available: Auto, Disable, Enable. Default setting is <b>Auto</b>.</li> </ul> </li> </ul>                     |
|           | <ul style="list-style-type: none"> <li>◆ MarginEnStrap1               <ul style="list-style-type: none"> <li>– Options available: Auto, Disable, Enable. Default setting is <b>Auto</b>.</li> </ul> </li> </ul>                    |
|           | <ul style="list-style-type: none"> <li>◆ SourceValStrap5               <ul style="list-style-type: none"> <li>– Options available: Auto, Disable, Enable. Default setting is <b>Auto</b>.</li> </ul> </li> </ul>                   |
|           | <ul style="list-style-type: none"> <li>◆ TranslationalBlockingStrap5               <ul style="list-style-type: none"> <li>– Options available: Auto, Disable, Enable. Default setting is <b>Auto</b>.</li> </ul> </li> </ul>       |
|           | <ul style="list-style-type: none"> <li>◆ P2pReq ACS Control               <ul style="list-style-type: none"> <li>– Options available: Auto, Disable, Enable. Default setting is <b>Auto</b>.</li> </ul> </li> </ul>                |
|           | <ul style="list-style-type: none"> <li>◆ P2pCompStrap5               <ul style="list-style-type: none"> <li>– Options available: Auto, Disable, Enable. Default setting is <b>Auto</b>.</li> </ul> </li> </ul>                     |
|           | <ul style="list-style-type: none"> <li>◆ UpstreamFwdStrap5               <ul style="list-style-type: none"> <li>– Options available: Auto, Disable, Enable. Default setting is <b>Auto</b>.</li> </ul> </li> </ul>                 |
|           | <ul style="list-style-type: none"> <li>◆ P2PEgressStrap5               <ul style="list-style-type: none"> <li>– Options available: Auto, Disable, Enable. Default setting is <b>Auto</b>.</li> </ul> </li> </ul>                   |
|           | <ul style="list-style-type: none"> <li>◆ DirectTranslatedStrap5               <ul style="list-style-type: none"> <li>– Options available: Auto, Disable, Enable. Default setting is <b>Auto</b>.</li> </ul> </li> </ul>            |
|           | <ul style="list-style-type: none"> <li>◆ SsidEnStrap5               <ul style="list-style-type: none"> <li>– Options available: Auto, Disable, Enable. Default setting is <b>Auto</b>.</li> </ul> </li> </ul>                      |
|           | <ul style="list-style-type: none"> <li>◆ PriEnPageReq               <ul style="list-style-type: none"> <li>– Options available: Auto, Disable, Enable. Default setting is <b>Auto</b>.</li> </ul> </li> </ul>                      |
|           | <ul style="list-style-type: none"> <li>◆ PriResetPageReq               <ul style="list-style-type: none"> <li>– Options available: Auto, Disable, Enable. Default setting is <b>Auto</b>.</li> </ul> </li> </ul>                   |
|           | <ul style="list-style-type: none"> <li>◆ SourceVal ACS cntl               <ul style="list-style-type: none"> <li>– Options available: Auto, Disable, Enable. Default setting is <b>Auto</b>.</li> </ul> </li> </ul>                |
|           | <ul style="list-style-type: none"> <li>◆ TranslationalBlocking ACS Control               <ul style="list-style-type: none"> <li>– Options available: Auto, Disable, Enable. Default setting is <b>Auto</b>.</li> </ul> </li> </ul> |
|           | <ul style="list-style-type: none"> <li>◆ P2pComp ACS Control               <ul style="list-style-type: none"> <li>– Options available: Auto, Disable, Enable. Default setting is <b>Auto</b>.</li> </ul> </li> </ul>               |
|           | <ul style="list-style-type: none"> <li>◆ UpstreamFwd ACS Control               <ul style="list-style-type: none"> <li>– Options available: Auto, Disable, Enable. Default setting is <b>Auto</b>.</li> </ul> </li> </ul>           |
|           | <ul style="list-style-type: none"> <li>◆ P2PEgress ACS Control               <ul style="list-style-type: none"> <li>– Options available: Auto, Disable, Enable. Default setting is <b>Auto</b>.</li> </ul> </li> </ul>             |
|           | <ul style="list-style-type: none"> <li>◆ P2pReqStrap5               <ul style="list-style-type: none"> <li>– Options available: Auto, Disable, Enable. Default setting is <b>Auto</b>.</li> </ul> </li> </ul>                      |
|           | <ul style="list-style-type: none"> <li>◆ E2E_PREFIX               <ul style="list-style-type: none"> <li>– Options available: Auto, Disable, Enable. Default setting is <b>Auto</b>.</li> </ul> </li> </ul>                        |

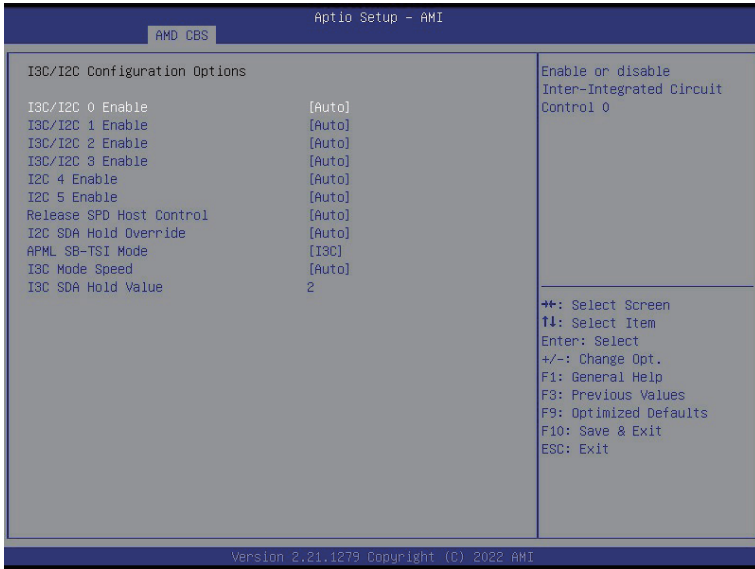
| Parameter               | Description  |
|-------------------------|--|
| RCC_DEV0<br>(continued) | <ul style="list-style-type: none"><li data-bbox="370 158 953 216">◆ EXTENDED_FMT<br/>– Options available: Auto, Disable, Enable. Default setting is <b>Auto</b>.</li></ul> |

### 5-3-5 FCH Common Options



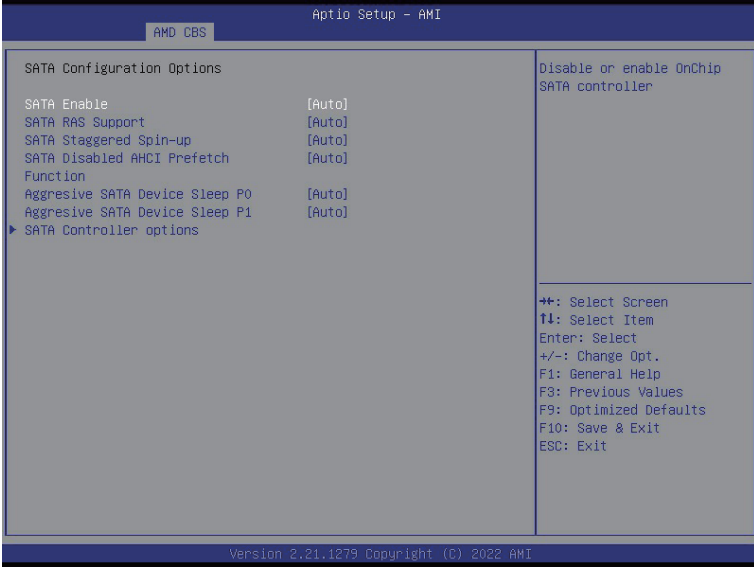
| Parameter                     | Description  |
|-------------------------------|--|
| FCH Common Options            |  |
| I3C/I2C Configuration Options | Press [Enter] for configuration of advanced items. |
| SATA Configuration Options    | Press [Enter] for configuration of advanced items. |
| USB Configuration Options     | Press [Enter] for configuration of advanced items. |
| AC Power Loss Options         | Press [Enter] for configuration of advanced items. |
| Uart Configuration Options    | Press [Enter] for configuration of advanced items. |
| ESPI Configuration Options    | Press [Enter] for configuration of advanced items. |
| FCH RAS Options               | Press [Enter] for configuration of advanced items. |
| Miscellaneous Options         | Press [Enter] for configuration of advanced items. |

## 5-3-5-1 I3C/I2C Configuration Options



| Parameter                     | Description  |
|-------------------------------|--|
| I3C/I2C Configuration Options |  |
| I3C/I2C 0/1/2/3 Enable        | Options available: Both Disabled, I3C Enabled, I2C Enabled, Auto. Default setting is <b>Auto</b> . |
| I2C 4/5 Enable                | Options available: Disabled, Enabled, Auto. Default setting is <b>Auto</b> .                       |
| Release SPD Host Control      | Options available: Disabled, Enabled, Auto. Default setting is <b>Auto</b> .                       |
| I2C SDA Hold Override         | Options available: Disabled, Enabled, Auto. Default setting is <b>Auto</b> .                       |
| APLM SB-TSI Mode              | Options available: I3C, I2C. Default setting is <b>I3C</b> .                                       |
| I3C Mode Speed                | Options available: SDR2(6MHz), SDR0(12.5MHz), Auto. Default setting is <b>Auto</b> .               |
| I3C SDA Hold Value            | Configures I3C SDA Hold value.   |

### 5-3-5-2 SATA Configuration Options



| Parameter                            | Description   |
|--------------------------------------|---|
| SATA Configuration Options           |   |
| SATA Enable                          | Enable/Disable OnChip SATA controller.<br>Options available: Disabled, Enabled, Auto. Default setting is <b>Auto</b> .  |
| SATA RAS Support                     | Options available: Disabled, Enabled, Auto. Default setting is <b>Auto</b> .  |
| SATA Staggered Spin-up               | Options available: Disabled, Enabled, Auto. Default setting is <b>Auto</b> .  |
| SATA Disabled AHCI Prefetch Function | Options available: Disabled, Enabled, Auto. Default setting is <b>Auto</b> .  |
| Aggressive SATA Device Sleep P0/P1   | Options available: Disabled, Enabled, Auto. Default setting is <b>Auto</b> .  |
| SATA Controller options              | Press [Enter] for configuration of advanced items. <ul style="list-style-type: none"> <li>◆ SATA Controller Enable</li> <li>◆ SATA Controller eSATA</li> <li>◆ SATA Controller DevSlp</li> <li>◆ SATA Controller SGPIO</li> </ul> |

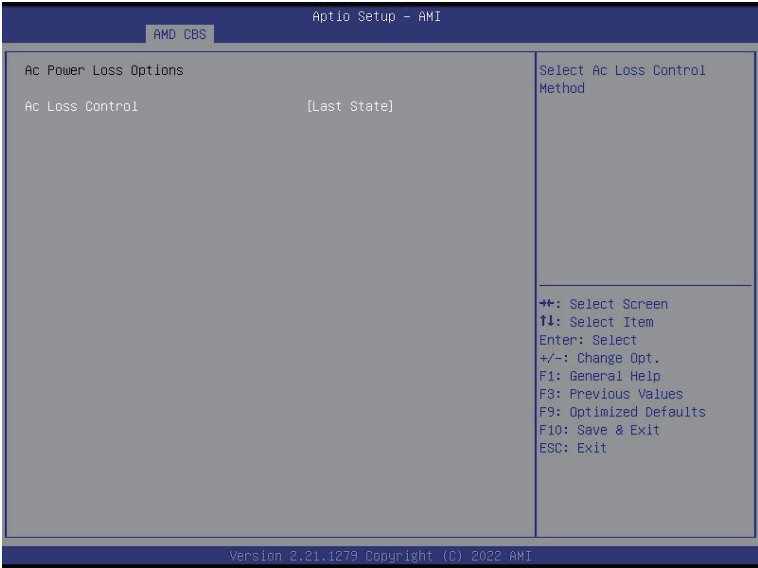
### 5-3-5-3 USB Configuration Options



| Parameter                 | Description   |
|---------------------------|---|
| USB Configuration Options |   |
| XHCI Controller0/1 enable | Enable/Disable USB controller.<br>Options available: Enabled, Disabled, Auto. Default setting is <b>Auto</b> .  |
| USB ecc SMI Enable        | Options available: Enable, Off, Auto. Default setting is <b>Auto</b> .  |
| MCM USB enable            | Press [Enter] for configuration of advanced items. <ul style="list-style-type: none"> <li>◆ XHCI2/ XHCI3 enable (Socket1) <ul style="list-style-type: none"> <li>– Options available: Enabled, Disabled, Auto. Default setting is <b>Auto</b>.</li> </ul> </li> </ul> |

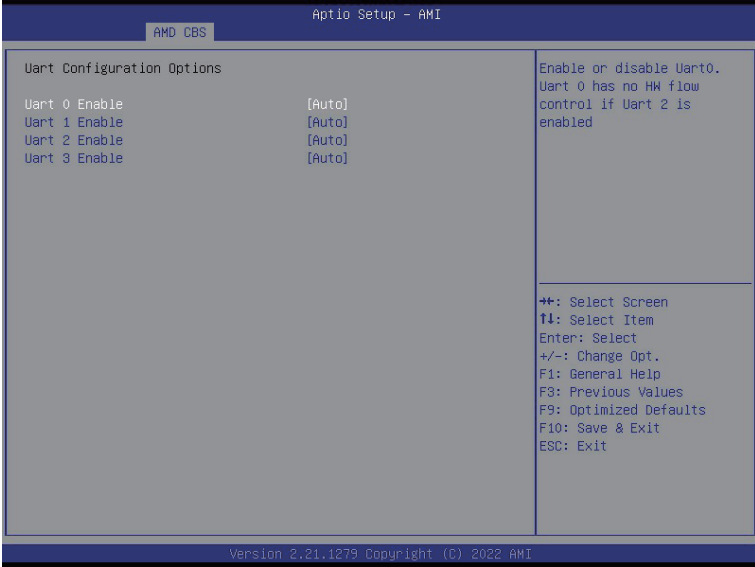


### 5-3-5-4 AC Power Loss Options



| Parameter             | Description  |
|-----------------------|--|
| AC Power Loss Options |  |
| AC Loss Control       | Selects the AC Loss Control Method.<br>Options available: Power Off, Power On, Last State.<br>Default setting is <b>Last State</b> . |

### 5-3-5-5 Uart Configuration Options



| Parameter                  | Description  |
|----------------------------|--|
| Uart Configuration Options |  |
| Uart 0/1/2/3 Enable        | Options available: Disabled, Enabled, Auto. Default setting is <b>Auto</b> . |

### 5-3-5-6 ESPI Configuration Options



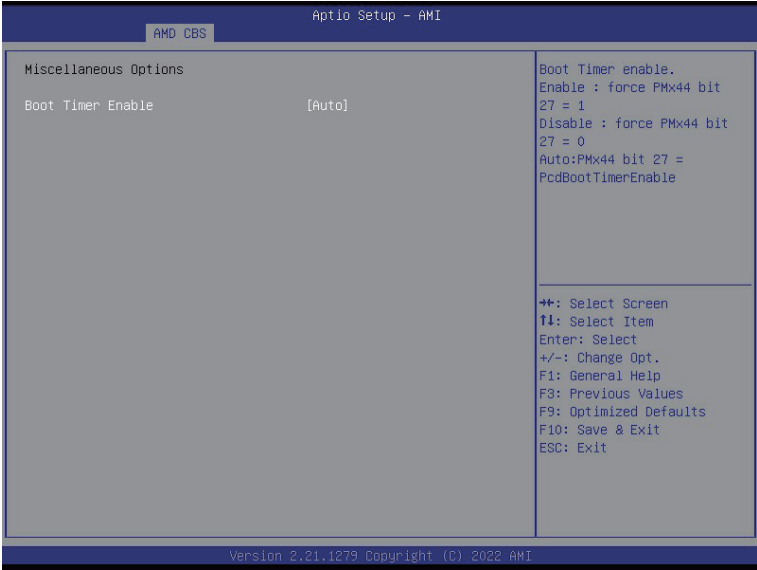
| Parameter                  | Description  |
|----------------------------|--|
| ESPI Configuration Options |  |
| ESPI Enable                | Options available: Disabled, Enabled, Auto. Default setting is <b>Auto</b> . |

### 5-3-5-7 FCH RAS Options



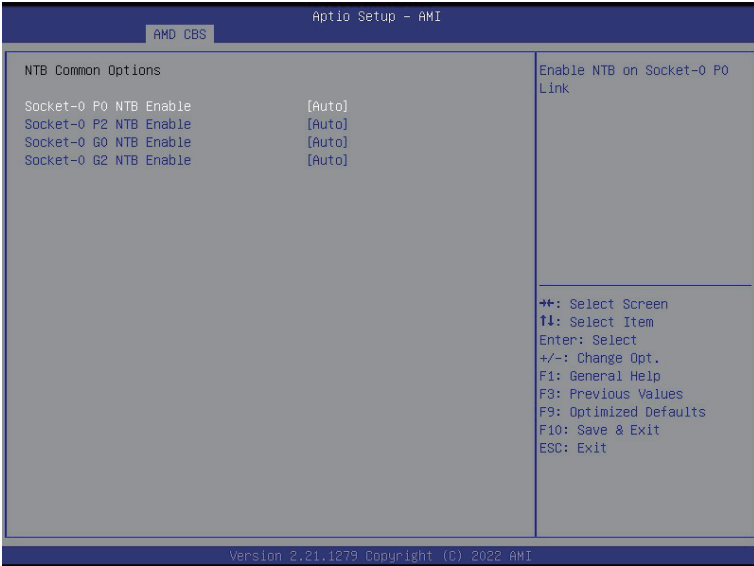
| Parameter              | Description   |
|------------------------|---|
| FCH RAS Options        |   |
| ALink RAS Support      | Enable/Disable the ALink RAS Support.<br>Options available: Disabled, Enabled, Auto. Default setting is <b>Auto</b> .                                   |
| Reset after sync flood | Enables AB to forward downstream sync-flood message to system controller.<br>Options available: Enable, Disable, Auto. Default setting is <b>Auto</b> . |

### 5-3-5-8 Miscellaneous Options



| Parameter             | Description  |
|-----------------------|--|
| Miscellaneous Options |  |
| Boot Timer Enable     | Enable/Disable Boot Timer.<br>Options available: Disabled, Enabled, Auto. Default setting is <b>Auto</b> . |

### 5-3-6 NTB Common Options



| Parameter                 | Description  |
|---------------------------|--|
| NTB Common Options        |  |
| Socket-0 P0/P2 NTB Enable | Enable/Disable NTB on Socket-0 P0/P2 Link.<br>Options available: Auto, Enable, Disable. Default setting is <b>Auto</b> . |
| Socket-0 G0/G2 NTB Enable | Enable/Disable NTB on Socket-0 G0/G2 Link.<br>Options available: Auto, Enable, Disable. Default setting is <b>Auto</b> . |

### 5-3-7 SOC Miscellaneous Control



| Parameter                                     | Description   |
|---|---|
| SOC Miscellaneous Control                     |   |
| ABL Console Out Control <sup>(Note)</sup>     | Enable/Disable the ConsoleOut function for ABL.<br>Options available: Disable, Enable, Auto. Default setting is <b>Auto</b> .   |
| ABL Console Out Serial Port <sup>(Note)</sup> | Options available: eSPI, SOC UART0, SOC UART1, Auto. Default setting is <b>Auto</b> .   |
| ABL Console Out Serial Port IO                | Options available: 0x3F8, 0x2F8, 0x3E8, 0x2E8, Auto. Default setting is <b>Auto</b> .   |
| ABL Basic Console Out Control                 | Enable/Disable the Basic ConsoleOut function for ABL.<br>Options available: Disable, Enable, Auto. Default setting is <b>Auto</b> .   |
| ABL PMU message Control                       | To Control the total number of PMU debug messages.<br>Options available: Auto, Detailed debug message, Coarse debug message, Stage completion, Assertion messages, Firmware completion message only. Default setting is <b>Auto</b> . |
| ABL Memory Population message Control         | Options available: Warning message, Fatal error. Default setting is <b>Warning message</b> .  |
| PSP error injection support                   | Options available: False, True. Default setting is <b>False</b> .   |

(Note) Advanced items are configurable when this item is defined.

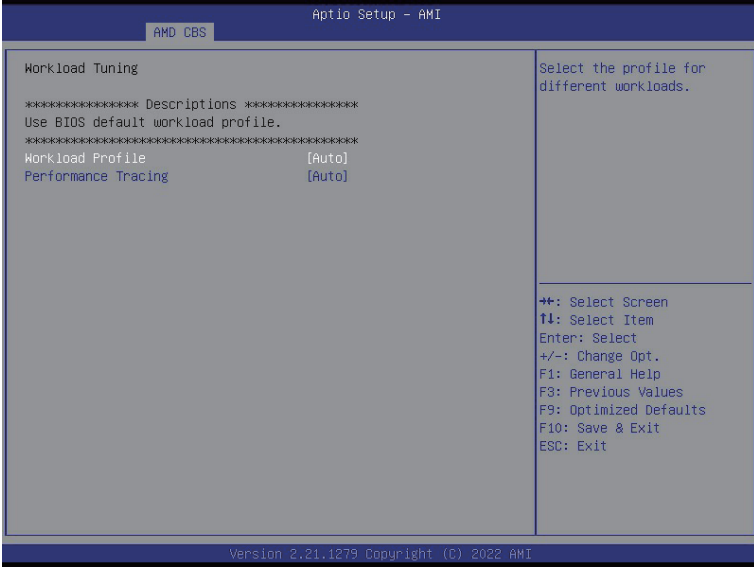
Firmware Anti-rollback (FAR)

Press [Enter] for configuration of advanced items.

- ◆ FAR enforcement state
  - Default setting is **Enabled**.
- ◆ SPL value in the CPU Fuse
- ◆ SPL value in the SPL table
- ◆ FAR Switch
  - Options available: Disabled, Enabled, Auto. Default setting is **Auto**.



### 5-3-8 Workload Tuning



| Parameter           | Description  |
|---------------------|--|
| Workload Tuning     | Select the profile for different workloads.  |
| Workload Profile    | Options available: CPU Intensive, Java Throughput, Java Latency, Power Efficiency, Memory Throughput Intensive, Storgae IO Intensive, NIC Throughput Intensive, NIC Latency Sensitive, Accelerator Throughput, VMware vSphere Optimized, Linux KVM Optimized, Container Optimized, RDBMS Optimized, Big Data Analytics Optimized, IOT Gateway, HPC Optimized, OpenStack NFV, OpenStack for ReakTime Kernel, Auto. Default setting is <b>Auto</b> . |
| Performance Tracing | Enable to allow capturing performance traces. Options available: Disabled, Enabled, Auto. Default setting is <b>Auto</b> .   |

### 5-3-9 CXL Common Options



| Parameter                 | Description   |
|---------------------------|---|
| CXL Common Options        |   |
| CXL Control               | Options available: Auto, Enabled, Disabled. Default setting is <b>Auto</b> .  |
| CXL SPM                   | Options available: Auto, Enabled, Disabled. Default setting is <b>Auto</b> .  |
| CXL ASPM                  | Options available: Auto, Enabled, Disabled. Default setting is <b>Auto</b> .  |
| CXL vLSM Power Management | <p>Press [Enter] for configuration of advanced items.</p> <ul style="list-style-type: none"> <li>◆ CXL.io <ul style="list-style-type: none"> <li>- L1/L2 <ul style="list-style-type: none"> <li>• Options available: Auto, Enabled, Disabled. Default setting is <b>Auto</b>.</li> </ul> </li> </ul> </li> <li>◆ CXL.camem <ul style="list-style-type: none"> <li>- L1/L2 <ul style="list-style-type: none"> <li>• Options available: Auto, Enabled, Disabled. Default setting is <b>Auto</b>.</li> </ul> </li> </ul> </li> </ul> |
| CXL Encryption            | Options available: Enabled, Disabled. Default setting is <b>Disabled</b> .  |
| Temp Gen5 Advertisement   | Options available: Disable, Enable, Auto. Default setting is <b>Auto</b> .  |

## 5-4 AMD PBS Menu

AMD PBS Option menu displays submenu options for configuring the function of AMD PBS. Select a submenu item, then press [Enter] to access the related submenu screen.



| Parameter   | Description  |
|-------------|--|
| RAS         | Press [Enter] for configuration of advanced items.   |
| SPI Locking | Enable/Disable SPI Locking for protect ROM part.<br>Options available: Disabled, Enabled. Default setting is <b>Disabled</b> . |

## 5-4-1 RAS

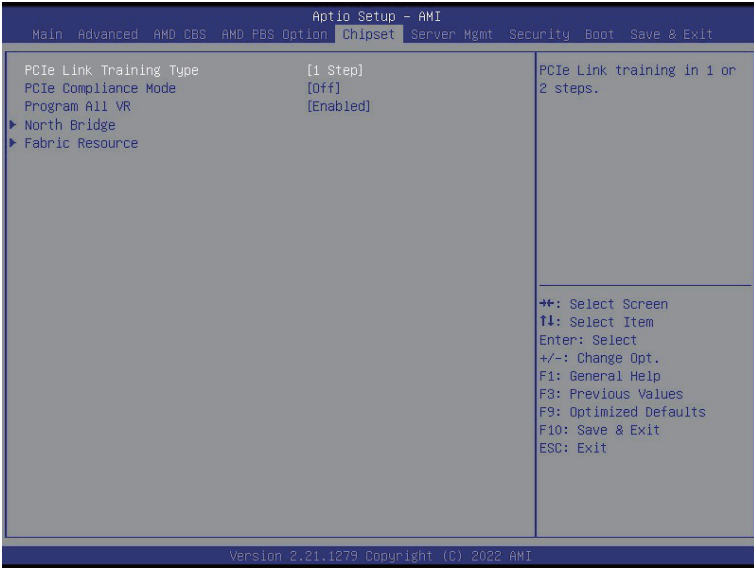


| Parameter                        | Description  |
|----------------------------------|--|
| RAS Periodic SMI Control         | Enable/Disable the Periodic SMI for polling [MCA Threshold] error. Options available: Disabled, Enabled. Default setting is <b>Enabled</b> . |
| SMI Threshold                    | Configures the SMI Threshold value.  |
| SMI Scale                        | Configures the SMI Scale value.  |
| SMI Scale Unit                   | Defines the unit of time scale. Options available: millisecond, second, minute. Default setting is <b>millisecond</b> .                      |
| SMI Period                       | Configures the SMI Period.   |
| GHEs Notify Type                 | Selects the Notification type for deferred/ corrected errors. Options available: Polled, SCI. Default setting is <b>Polled</b> .             |
| GHEs UnCorr Notify Type          | Selects the Notification type for uncorrected errors. Options available: Polled, NMI. Default setting is <b>NMI</b> .                        |
| PCIe GHEs Notify Type            | Selects the Notification type for PCIe corrected errors. Options available: Polled, SCI. Default setting is <b>Polled</b> .                  |
| PCIe UnCorr GHEs Notify Type     | Selects the Notification type for PCIe uncorrected errors. Options available: Polled, NMI. Default setting is <b>NMI</b> .                   |
| PCIe Root Port Corr Err Mask Reg | Initialize the PCIe AER Corrected Error Mask register of Root Port.  |

| Parameter                          | Description  |
|------------------------------------|--|
| PCIe Root Port UnCorr Err Mask Reg | Initialize the PCIe AER Uncorrected Error Mask register of Root Port.  |
| PCIe Root Port UnCorr Err Sev Reg  | Initialize the PCIe AER Uncorrected Error Severity register of Root Port.  |
| PCIe Device Corr Err Mask Reg      | Initialize the PCIe AER Corrected Error Mask register of PCIe device.  |
| PCIe Device UnCorr Err Mask Reg    | Initialize the PCIe AER Uncorrected Error Mask register of PCIe device.  |
| PCIe Device UnCorr Err Sev Reg     | Initialize the PCIe AER Uncorrected Error Severity register of PCIe device.  |
| DRAM Hard Post Package Repair      | This feature allows spare DRAM rows to replace malfunctioning rows via an in-field repair mechanism.<br>Options available: Disabled, Enabled. Default setting is <b>Disabled</b> . |
| HEST DMC Structure Support         | HEST DMC (Deferred Machine Check) Structure Support.<br>Options available: Disabled, Enabled. Default setting is <b>Disabled</b> .   |
| CXL Error Report Support           | Enable/Disable CXL Error Reporting.<br>Options available: Disabled, Enabled. Default setting is <b>Disabled</b> .  |

# 5-5 Chipset Setup Menu

Chipset Setup menu displays submenu options for configuring the function of the North Bridge. Select a submenu item, then press <Enter> to access the related submenu screen.



| Parameter               | Description   |
|-------------------------|---|
| PCIe Link Training Type | Options available: 1 Step, 2 Step. Default setting is <b>1 Step</b> .   |
| PCIe Compliance Mode    | Options available: Off, On. Default setting is <b>Off</b> .   |
| Program All VR          | Enable/Disable program all VR on MB.<br>Options available: Disabled, Enabled. Default setting is <b>Enabled</b> . |
| North Bridge            | Press [Enter] for configuration of advanced items.  |
| Fabric Resource         | Press [Enter] for configuration of advanced items.  |

## 5-5-1 North Bridge



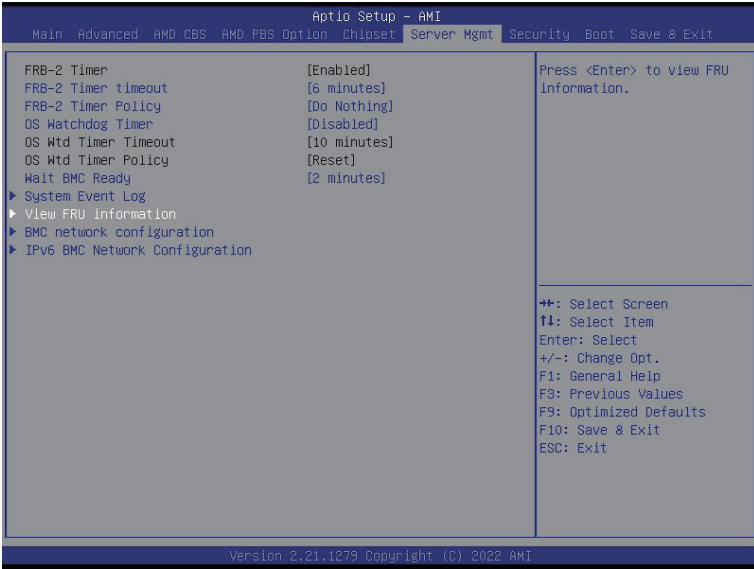
| Parameter                  | Description   |
|----------------------------|---|
| North Bridge Configuration |   |
| Memory Information         |   |
| Total Memory               | Displays the total memory information.                |
| CPU 0/1 Information        | Press [Enter] to view information related to CPU 0/1. |





| Parameter                       | Description   |
|---------------------------------|---|
| Fabric Resource                 |   |
| CPU 0/1 NBIO_# PCIe Bus Number  | Change CPU 0/1 NBIO_# PCIe Bus Number.  |
| Prefetchable Mmio Above 4G size | Change CPU 0/1 NBIO_# Prefetchable MMIO Above 4G Size.<br>Options available: System Default, 0, 1G, 2G, 4G, 8G, 16G, 32G, 64G, 128G, 256G, 512G, 1T, 2T, 4T, 8T. Default setting is <b>System Default</b> . |
| PCIe IO Resource                | Change CPU 0/1 NBIO_# PCIe IO Resource.   |

## 5-6 Server Management Menu

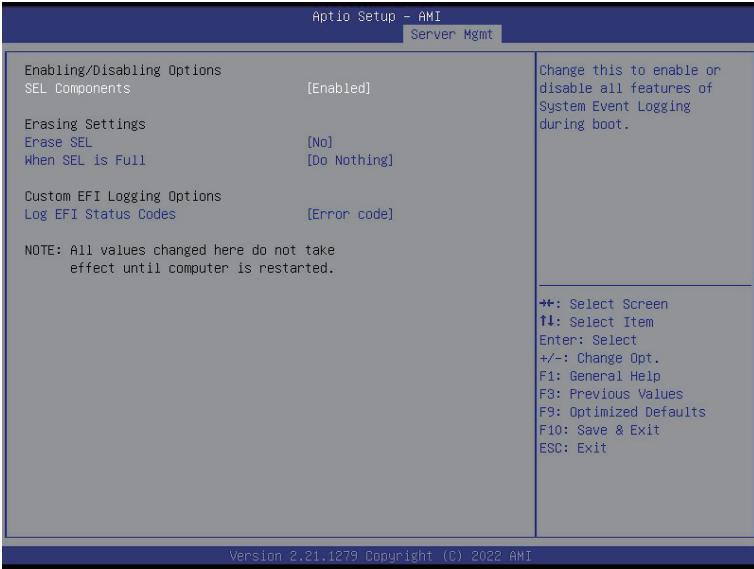


| Parameter                              | Description   |
|--|---|
| FRB-2 Timer                            | Enable/Disable FRB-2 timer (POST timer).<br>Default setting is <b>Enabled</b> .   |
| FRB-2 Timer timeout                    | Configures the FRB2 Timer timeout.<br>Options available: 3 minutes, 4 minutes, 5 minutes, 6 minutes. Default setting is <b>6 minutes</b> .    |
| FRB-2 Timer Policy                     | Configures the FRB2 Timer policy.<br>Options available: Do Nothing, Reset, Power Down, Power Cycle.<br>Default setting is <b>Do Nothing</b> . |
| OS Watchdog Timer                      | Enable/Disable OS Watchdog Timer function.<br>Options available: Enabled, Disabled. Default setting is <b>Disabled</b> .                      |
| OS Wtd Timer Timeout <sup>(Note)</sup> | Configures OS Watchdog Timer.<br>Options available: 5 minutes, 10 minutes, 15 minutes, 20 minutes.<br>Default setting is <b>10 minutes</b> .  |
| OS Wtd Timer Policy <sup>(Note)</sup>  | Configure OS Watchdog Timer Policy.<br>Options available: Do Nothing, Reset, Power Down, Power Cycle.<br>Default setting is <b>Reset</b> .    |
| Wait BMC Ready                         | Post wait BMC ready and reboot system.<br>Options available: Disabled, 2 minutes, 4 minutes, 6 minutes. Default setting is <b>2 minutes</b> . |

(Note) This item is configurable when **OS Watchdog Timer** is set to **Enabled**.

| <b>Parameter</b>               | <b>Description</b>                         |
|--------------------------------|--|
| System Event Log               | Press [Enter] to configure advanced items. |
| View FRU Information           | Press [Enter] to view the FRU information. |
| BMC network configuration      | Press [Enter] to configure advanced items. |
| IPv6 BMC Network Configuration | Press [Enter] to configure advanced items. |

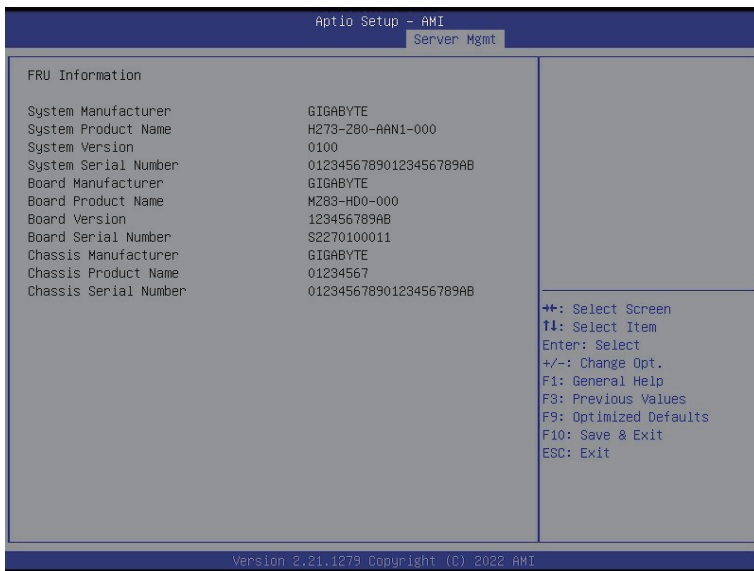
## 5-6-1 System Event Log



| Parameter                    | Description  |
|------------------------------|--|
| Enabling / Disabling Options |  |
| SEL Components               | Change this item to enable or disable all features of System Event Logging during boot.<br>Options available: Disabled, Enabled. Default setting is <b>Enabled</b> .                         |
| Erasing Settings             |  |
| Erase SEL                    | Choose options for erasing SEL.<br>Options available: No/Yes, On next reset/Yes, On every reset. Default setting is <b>No</b> .  |
| When SEL is Full             | Choose options for reactions to a full SEL.<br>Options available: Do Nothing, Erase Immediately. Default setting is <b>Do Nothing</b> .  |
| Custom EFI Logging Options   |  |
| Log EFI Status Codes         | Enable/Disable the logging of EFI Status Codes (if not already converted to legacy).<br>Options available: Disabled, Both, Error code, Progress code. Default setting is <b>Error code</b> . |

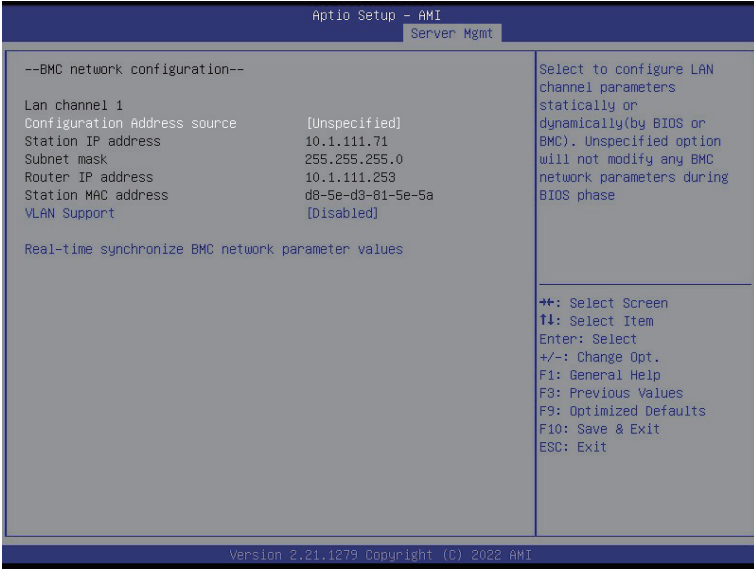
## 5-6-2 View FRU Information

The FRU page is a simple display page for basic system ID information, as well as System product information. Items on this window are non-configurable.



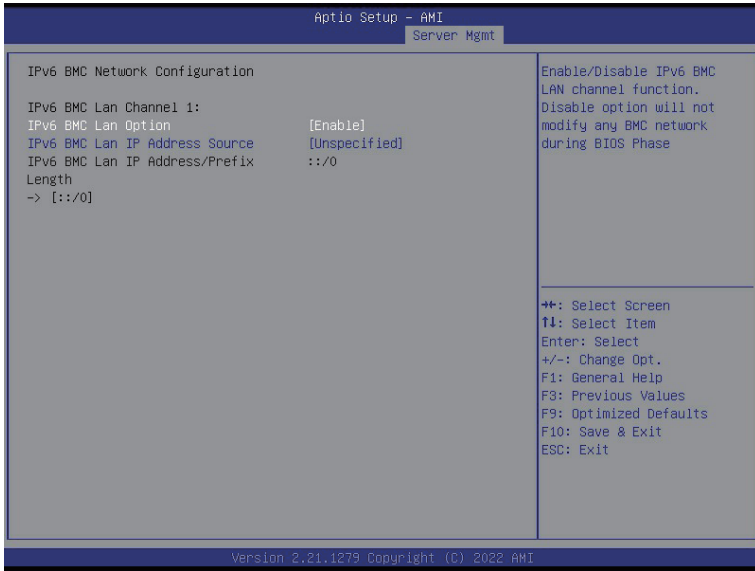
(Note) The model name will vary depends on the product you purchased

## 5-6-3 BMC Network Configuration



| Parameter  | Description   |
|--|---|
| BMC network configuration                          |   |
| Lan Channel 1                                      |   |
| Configuration Address source                       | Selects to configure LAN channel parameters statically or dynamically (DHCP). Do nothing option will not modify any BMC network parameters during BIOS phase.<br>Options available: Unspecified, Static, DynamicBmcDhcp. Default setting is <b>DynamicBmcDhcp</b> . |
| Station IP address                                 | Displays IP Address information.  |
| Subnet mask  | Displays Subnet Mask information.<br>Please note that the IP address must be in three digitals, for example, 192.168.000.001.   |
| Router IP address                                  | Displays the Router IP Address information.   |
| Station MAC address                                | Displays the MAC Address information.   |
| VLAN Support                                       | Set BMC to enable/disable VLAN support.<br>Options available: Enabled, Disabled. Default setting is <b>Disabled</b> .   |
| Real-time synchronize BMC network parameter values | Press [Enter] will set Address source(Static/DHCP) to BMC and then get Station IP address, Subnet mask and Router IP address from BMC.  |

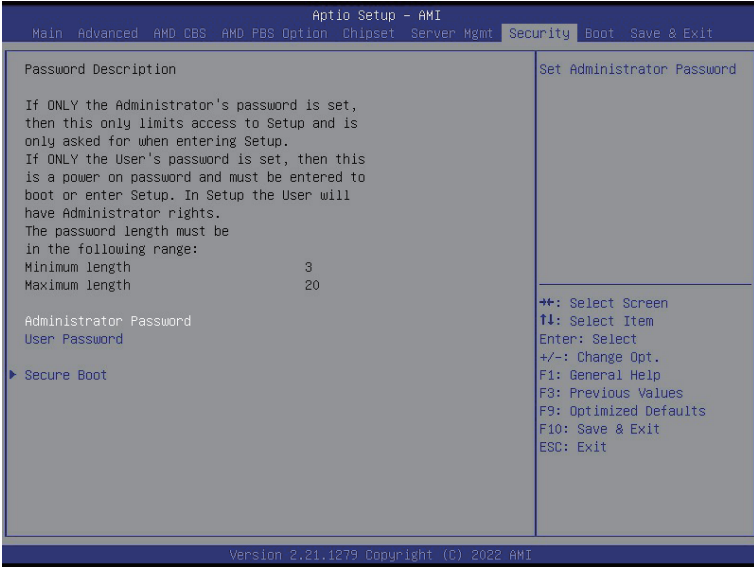
## 5-6-4 IPv6 BMC Network Configuration



| Parameter                             | Description   |
|---------------------------------------|---|
| IPv6 BMC network configuration        |   |
| IPv6 BMC Lan Channel 1                |   |
| IPv6 BMC Lan Option                   | Enable/Disable IPv6 BMC LAN channel function. When this item is disabled, the system will not modify any BMC network during BIOS phase.<br>Options available: Unspecified, Disable, Enable. Default setting is <b>Enable</b> .            |
| IPv6 BMC Lan IP Address Source        | Selects to configure LAN channel parameters statically or dynamically (by BIOS or BMC).<br>Options available: Unspecified, Static, Dynamic-Obtained by BMC running DHCP. Default setting is <b>Dynamic-Obtained by BMC running DHCP</b> . |
| IPv6 BMC Lan IP Address/Prefix Length | Check if the IPv6 BMC LAN IP address matches those displayed on the screen.   |

# 5-7 Security Menu

The Security menu allows you to safeguard and protect the system from unauthorized use by setting up access passwords.



There are two types of passwords that you can set:

- Administrator Password  
Entering this password will allow the user to access and change all settings in the Setup Utility.
- User Password  
Entering this password will restrict a user's access to the Setup menus. To enable or disable this field, a Administrator Password must first be set. A user can only access and modify the System Time, System Date, and Set User Password fields.

| Parameter              | Description  |
|------------------------|--|
| Administrator Password | Press [Enter] to configure the administrator password. |
| User Password          | Press [Enter] to configure the user password.          |
| Secure Boot            | Press [Enter] to configure advanced items.             |



## 5-7-1 Secure Boot

The Secure Boot submenu is applicable when your device is installed the Windows® 8 (or above) operating system.



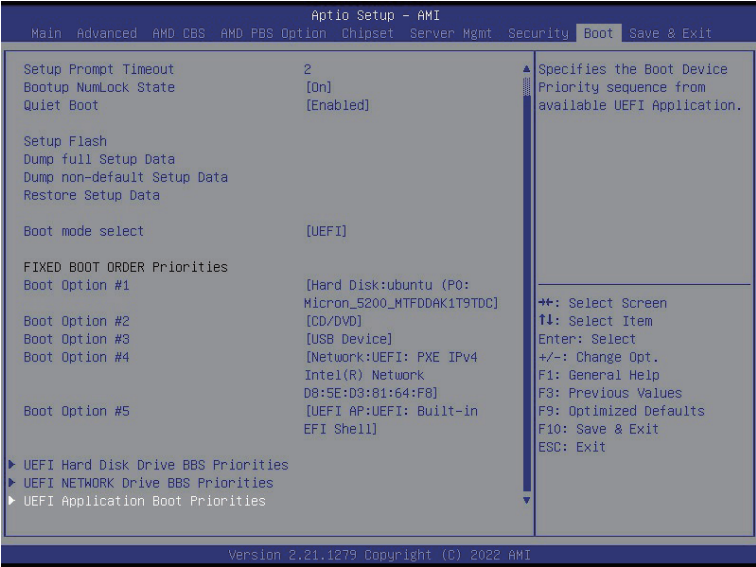
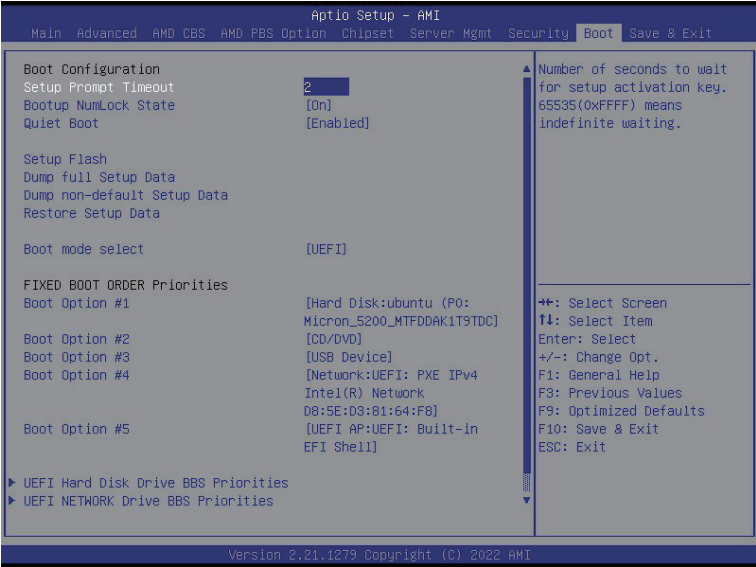
| Parameter                          | Description   |
|------------------------------------|---|
| System Mode                        | Displays if the system is in User mode or Setup mode.   |
| Secure Boot                        | Enable/ Disable the Secure Boot function.<br>Options available: Enabled, Disabled. Default setting is <b>Disabled</b> .   |
| Secure Boot Mode <sup>(Note)</sup> | Secure Boot requires all the applications that are running during the booting process to be pre-signed with valid digital certificates. This way, the system knows all files being loaded before Windows loads to the login screen have not been tampered with.<br>When set to Standard, it will automatically load the Secure Boot keys from the BIOS databases.<br>When set to Custom, you can customize the Secure Boot settings and manually load its keys from the BIOS database.<br>Options available: Standard, Custom. Default setting is <b>Standard</b> . |
| Restore Factory Keys               | Forces the system to user mode and installs factory default Secure Boot key database.   |
| Reset To Setup Mode                | Press [Enter] to reset the system mode to Setup mode.   |
| Enter Audit Mode                   | Press [Enter] to set the system mode to audit mode.   |

(Note) Advanced items prompt when this item is set to **Custom**.

| Parameter      | Description  |
|----------------|--|
| Key Management | <p data-bbox="335 156 665 180">Press [Enter] to configure advanced items.</p> <p data-bbox="335 185 936 235"><b>Please note that this item is configurable when Secure Boot Mode is set to Custom.</b></p> <ul style="list-style-type: none"> <li data-bbox="335 243 941 352">◆ Factory Key Provision <ul style="list-style-type: none"> <li data-bbox="367 266 941 321">– Allows to provision factory default Secure Boot keys when system is in Setup Mode.</li> <li data-bbox="367 326 904 352">– Options available: Enabled, Disabled. Default setting is <b>Disabled</b>.</li> </ul> </li> <li data-bbox="335 357 925 431">◆ Restore Factory Keys <ul style="list-style-type: none"> <li data-bbox="367 381 925 404">– Installs all factory default keys. It will force the system in User Mode.</li> <li data-bbox="367 409 606 431">– Options available: Yes, No.</li> </ul> </li> <li data-bbox="335 435 899 517">◆ Enroll Efi Image <ul style="list-style-type: none"> <li data-bbox="367 459 899 517">– Press [Enter] to enroll SHA256 hash of the binary into Authorized Signature Database (db).</li> </ul> </li> <li data-bbox="335 522 893 572">◆ Secure Boot variable <ul style="list-style-type: none"> <li data-bbox="367 545 893 572">– Displays the current status of the variables used for secure boot.</li> </ul> </li> <li data-bbox="335 577 798 682">◆ Platform Key (PK) <ul style="list-style-type: none"> <li data-bbox="367 600 798 627">– Displays the current status of the Platform Key (PK).</li> <li data-bbox="367 631 675 655">– Press [Enter] to configure a new PK.</li> <li data-bbox="367 660 601 682">– Options available: Update.</li> </ul> </li> <li data-bbox="335 686 941 823">◆ Key Exchange Keys (KEK) <ul style="list-style-type: none"> <li data-bbox="367 710 941 736">– Displays the current status of the Key Exchange Key Database (KEK).</li> <li data-bbox="367 741 904 796">– Press [Enter] to configure a new KEK or load additional KEK from storage devices.</li> <li data-bbox="367 801 670 823">– Options available: Update, Append.</li> </ul> </li> <li data-bbox="335 827 941 964">◆ Authorized Signatures (DB) <ul style="list-style-type: none"> <li data-bbox="367 851 904 878">– Displays the current status of the Authorized Signature Database.</li> <li data-bbox="367 882 941 937">– Press [Enter] to configure a new DB or load additional DB from storage devices.</li> <li data-bbox="367 942 670 964">– Options available: Update, Append.</li> </ul> </li> <li data-bbox="335 969 899 1105">◆ Forbidden Signatures (DBX) <ul style="list-style-type: none"> <li data-bbox="367 992 899 1019">– Displays the current status of the Forbidden Signature Database.</li> <li data-bbox="367 1023 888 1078">– Press [Enter] to configure a new dbx or load additional dbx from storage devices.</li> <li data-bbox="367 1083 670 1105">– Options available: Update, Append.</li> </ul> </li> <li data-bbox="335 1110 925 1246">◆ Authorized TimeStamps (DBT) <ul style="list-style-type: none"> <li data-bbox="367 1133 925 1160">– Displays the current status of the Authorized TimeStamps Database.</li> <li data-bbox="367 1165 904 1219">– Press [Enter] to configure a new DBT or load additional DBT from storage devices.</li> <li data-bbox="367 1224 670 1246">– Options available: Update, Append.</li> </ul> </li> <li data-bbox="335 1251 920 1387">◆ OsRecovery Signatures <ul style="list-style-type: none"> <li data-bbox="367 1274 920 1301">– Displays the current status of the OsRecovery Signature Database.</li> <li data-bbox="367 1306 888 1361">– Press [Enter] to configure a new OsRecovery Signature or load additional OsRecovery Signature from storage devices.</li> <li data-bbox="367 1365 670 1387">– Options available: Update, Append.</li> </ul> </li> </ul> |

# 5-8 Boot Menu

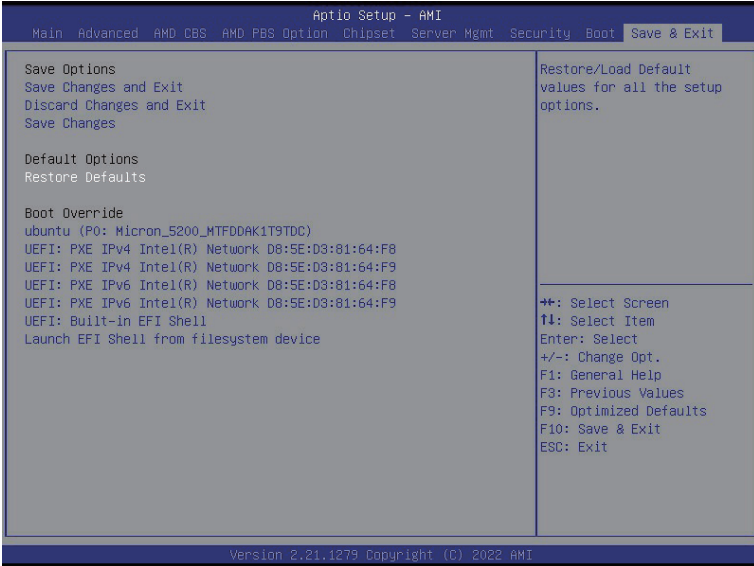
The Boot menu allows you to set the drive priority during system boot-up. BIOS setup will display an error message if the legacy drive(s) specified is not bootable.



| Parameter                          | Description  |
|------------------------------------|--|
| Boot Configuration                 |  |
| Setup Prompt Timeout               | Number of seconds to wait for setup activation key. 65535 (0xFFFF) means indefinite waiting.<br>Press the numeric keys to input the desired values.  |
| Bootup NumLock State               | Enable/Disable the Bootup NumLock function.<br>Options available: On, Off. Default setting is <b>On</b> .  |
| Quiet Boot                         | Enable/Disable showing the logo during POST.<br>Options available: Enabled, Disabled. Default setting is <b>Enabled</b> .  |
| Setup Flash                        | Press [Enter] to run setup flash.  |
| Dump full Setup Data               | Press [Enter] to dump full setup data to file.   |
| Dump non-default Setup Data        | Press [Enter] to dump non-default setup data to file.  |
| Restore Setup Data                 | Press [Enter] to restore setup data from file (cJson format).  |
| Boot mode select                   | Selects the boot mode.<br>Options available: LEGACY, UEFI. Default setting is <b>UEFI</b> .  |
| FIXED BOOT ORDER                   |  |
| Priorities                         |  |
| Boot Option #1 / #2 / #3 / #4 / #5 | Press [Enter] to configure the boot priority.<br>By default, the server searches for boot devices in the following sequence: <ol style="list-style-type: none"> <li>1. Hard drive.</li> <li>2. CD-COM/DVD drive.</li> <li>3. USB device.</li> <li>4. Network.</li> <li>5. UEFI.</li> </ol> |
| UEFI Network Drive BBS Priorities  | Press [Enter] to configure the boot priority.  |
| UEFI Application Boot Priorities   | Press [Enter] to configure the boot priority.  |

## 5-9 Save & Exit Menu

The Save & Exit menu displays the various options to quit from the BIOS setup. Highlight any of the exit options then press <Enter>.



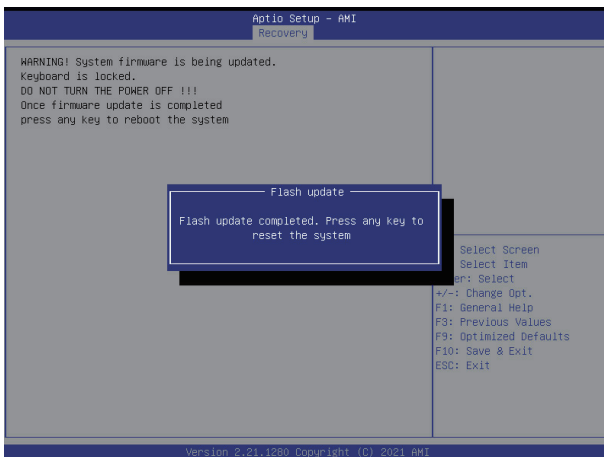
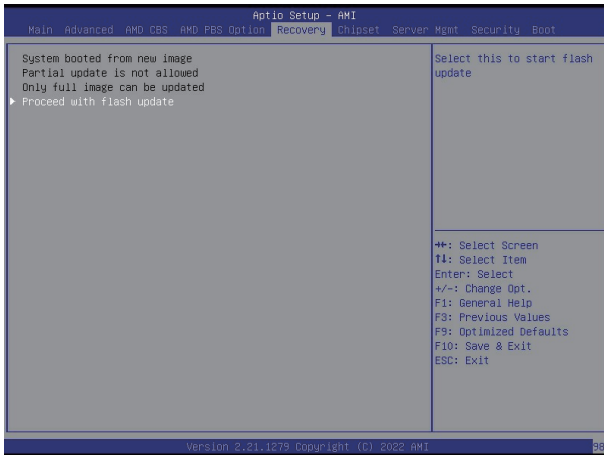
| Parameter                               | Description  |
|---|--|
| Save Options                            |  |
| Save Changes and Exit                   | Saves changes made and closes the BIOS setup.<br>Options available: Yes, No.   |
| Discard Changes and Exit                | Discards changes made and exits the BIOS setup.<br>Options available: Yes, No.   |
| Save Changes                            | Saves changes done so far to any of the setup options.<br>Options available: Yes, No.  |
| Default Options                         |  |
| Restore Defaults                        | Loads the default settings for all BIOS setup parameters. Setup Defaults are quite demanding in terms of resources consumption. If you are using low-speed memory chips or other kinds of low-performance components and you choose to load these settings, the system might not function properly.<br>Options available: Yes, No. |
| Boot Override                           | Press [Enter] to configure the device as the boot-up drive.  |
| Launch EFI Shell from filesystem device | Attempts to Launch EFI Shell application (Shell.efi) from one of the available file system devices.  |

## 5-10 BIOS Recovery

The system has an embedded recovery technique. In the event that the BIOS becomes corrupt the boot block can be used to restore the BIOS to a working state. To restore your BIOS, please follow the instructions listed below:

Recovery Instruction:

1. Copy the XXX.rom to USB diskette.
2. Setting BIOS Recovery jump to enabled status.
3. Boot into BIOS recovery.
4. Run Proceed with flash update.
5. BIOS updated.



## 5-11 BIOS POST Beep code (AMI standard)

### 5-11-1 PEI Beep Codes

| # of Beeps | Description  |
|------------|--|
| 1          | Memory not Installed.  |
| 1          | Memory was installed twice (InstallPeiMemory routine in PEI Core called twice) |
| 2          | Recovery started   |
| 3          | DXE IPL was not found  |
| 3          | DXE Core Firmware Volume was not found   |
| 4          | Recovery failed  |
| 4          | S3 Resume failed   |
| 7          | Reset PPI is not available   |

### 5-11-2 DXE Beep Codes

| # of Beeps | Description   |
|------------|---|
| 1          | Invalid password                                      |
| 4          | Some of the Architectural Protocols are not available |
| 5          | No Console Output Devices are found                   |
| 5          | No Console Input Devices are found                    |
| 6          | Flash update is failed                                |
| 7          | Reset protocol is not available                       |
| 8          | Platform PCI resource requirements cannot be met      |