

GIGABYTE™

H263-S66-AAW1

High Density Server - 5th/4th Gen Intel® Xeon® Scalable
2U 4-Node DP 24-Bay Gen5 NVMe/SATA/SAS-4 3000W

User Manual

Rev. 1.0

Copyright

© 2024 Giga Computing Technology CO., LTD. All rights reserved.

The trademarks mentioned in this manual are legally registered to their respective owners.

Disclaimer

Information in this manual is protected by copyright laws and is the property of Giga Computing. Changes to the specifications and features in this manual may be made by Giga Computing without prior notice. No part of this manual may be reproduced, copied, translated, transmitted, or published in any form or by any means without Giga Computing's prior written permission.

Documentation Classifications

In order to assist in the use of this product, Giga Computing provides the following types of documentation:

- User Manual: detailed information & steps about the installation, configuration and use of this product (e.g. motherboard, server barebones), covering hardware and BIOS.
- User Guide: detailed information about the installation & use of an add-on hardware or software component (e.g. BMC firmware, rail-kit) compatible with this product.
- Quick Installation Guide: a short guide with visual diagrams that you can reference easily for installation purposes of this product (e.g. motherboard, server barebones).

Please see the support section of the online product page to check the current availability of these documents.

For More Information

For related product specifications, the latest firmware and software, and other information please visit our website at <http://www.gigabyte.com/Enterprise>




For GIGABYTE distributors and resellers, additional sales & marketing materials are available from our reseller portal: <http://reseller.b2b.gigabyte.com>

For further technical assistance, please contact your GIGABYTE representative or visit <https://support.gigabyte.com/> to create a new support ticket

For any general sales or marketing enquiries, you may also message GIGABYTE server directly by email: server.grp@gigabyte.com

Conventions

The following conventions are used in this user's guide:

| | |
|---|---|
|  | NOTE! Pieces of additional information related to the current topic. |
|  | CAUTION! Precautionary measures to avoid possible hardware or software problems. |
|  | WARNING! Alerts to any damage that might result from doing or not doing specific actions. |

Server Warnings and Cautions

Before installing a server, be sure that you understand the following warnings and cautions.



WARNING!

To reduce the risk of electric shock or damage to the equipment:

- Do not disable the power cord grounding plug. The grounding plug is an important safety feature.
- Plug the power cord into a grounded (earthed) electrical outlet that is easily accessible at all times.
- Unplug the power cord from the power supply to disconnect power to the equipment.
- Do not route the power cord where it can be walked on or pinched by items placed against it. Pay particular attention to the plug, electrical outlet, and the point where the cord extends from the server.



WARNING!

To reduce the risk of personal injury from hot surfaces, allow the drives and the internal system components to cool before touching them.



WARNING!

This server is equipped with high speed fans. Keep away from hazardous moving fan blades during servicing.



CAUTION!

- Do not operate the server for long periods with the access panel open or removed. Operating the server in this manner results in improper airflow and improper cooling that can lead to thermal damage.
- Danger of explosion if battery is incorrectly replaced.
- Replace battery with the same or equivalent type recommended by the manufacturer.
- Dispose of used batteries according to the manufacturer's instructions.



CAUTION!

Risk of explosion if battery is replaced incorrectly or with an incorrect type. Replace the battery only with the same or equivalent type recommended by the manufacturer. Dispose of used batteries according to the manufacturer's instructions.



Electrostatic Discharge (ESD)

CAUTION!

ESD CAN DAMAGE DRIVES, BOARDS, AND OTHER PARTS. WE RECOMMEND THAT YOU PERFORM ALL PROCEDURES AT AN ESD WORKSTATION. IF ONE IS NOT AVAILABLE, PROVIDE SOME ESD PROTECTION BY WEARING AN ANTI-STATIC WRIST STRAP ATTACHED TO CHASSIS GROUND -- ANY UNPAINTED METAL SURFACE -- ON YOUR SERVER WHEN HANDLING PARTS.

Always handle boards carefully, they can be extremely sensitive to ESD. Hold boards only by their edges without touching any components or connectors. After removing a board from its protective ESD bag or from the system, place the board component side up on a grounded, static free surface. Use a conductive foam pad if available but not the ESD bag. Do not slide the board over any surface.

System power on/off: To service components within the server, please ensure the power has been disconnected.

e.g. Remove the node from the server chassis (to disconnect power) or disconnect the power from the server chassis.

Make sure the system is removed from the rack before opening the chassis, adding, or removing any non hot-plug components.

Hazardous conditions, devices and cables: Hazardous electrical conditions may be present on power, telephone, and communication cables. Turn off the system chassis and disconnect the cables attached to the system before servicing the chassis. Otherwise, personal injury or equipment damage can result.

Electrostatic discharge (ESD) and ESD protection: ESD can damage drives, boards, and other parts. We recommend that you perform all procedures in this chapter only at an ESD workstation. If one is not available, provide some ESD protection by wearing an antistatic wrist strap attached to chassis ground (any unpainted metal surface on the server) when handling parts.

ESD and handling boards: Always handle boards carefully. They can be extremely sensitive to electrostatic discharge (ESD). Hold boards only by their edges. After removing a board from its protective wrapper or from the system, place the board component side up on a grounded, static free surface. Use a conductive foam pad if available but not the board wrapper. Do not slide board over any surface.

Installing or removing jumpers: A jumper is a small plastic encased conductor that slips over two jumper pins. Some jumpers have a small tab on top that can be gripped with fingertips or with a pair of fine needle nosed pliers. If the jumpers do not have such a tab, take care when using needle nosed pliers to remove or install a jumper; grip the narrow sides of the jumper with the pliers, never the wide sides. Gripping the wide sides can damage the contacts inside the jumper, causing intermittent problems with the function controlled by that jumper. Take care to grip with, but not squeeze, the pliers or other tool used to remove a jumper, or the pins on the board may bend or break.

Table of Contents

| | |
|--|----|
| Chapter 1 Hardware Installation | 9 |
| 1-1 Installation Precautions | 9 |
| 1-2 Product Specifications | 10 |
| 1-3 System Block Diagram | 15 |
| Chapter 2 System Appearance | 16 |
| 2-1 Front View | 16 |
| 2-2 Rear View | 17 |
| 2-3 Front Panel LED and Buttons | 18 |
| 2-4 RoT LEDs | 19 |
| 2-5 Rear System LAN LEDs | 21 |
| 2-6 Power Supply Unit LED | 22 |
| 2-7 Hard Disk Drive LEDs | 23 |
| Chapter 3 System Hardware Installation | 24 |
| 3-1 Installing the Hard Disk Drive | 25 |
| 3-2 Removing the Node | 26 |
| 3-3 Removing Chassis Cover | 27 |
| 3-4 Removing and Installing the Fan Duct | 28 |
| 3-5 Removing and Installing the Heatsink | 29 |
| 3-6 Installing the CPU and Heat Sink | 32 |
| 3-7 Installing Memory | 34 |
| 3-7-1 Eight Channel Memory Configuration | 34 |
| 3-7-2 Installing the Memory | 35 |
| 3-7-3 DIMM Population Table | 36 |
| 3-7-4 Processor and Memory Module Matrix Table | 37 |
| 3-8 Installing the PCI Expansion Card | 38 |
| 3-9 Installing the Mezzanine Card | 42 |
| 3-9-1 Installing the OCP 3.0 Mezzanine Card | 42 |
| 3-10 Replacing the Fan Assembly | 43 |
| 3-11 Replacing the Power Supply | 44 |
| 3-12 Removing the Power Supply Dummy Cover | 45 |
| 3-13 Cable Routing | 46 |
| Chapter 4 Motherboard Components | 53 |
| 4-1 Motherboard Components | 53 |
| 4-2 Jumper Setting | 54 |
| 4-3 Backplane Board Storage Connector | 55 |

| | | |
|-----------|---|-----|
| 4-3-1 | CBPH008..... | 55 |
| Chapter 5 | BIOS Setup | 56 |
| 5-1 | The Main Menu | 58 |
| 5-2 | Advanced Menu | 61 |
| 5-2-1 | Trusted Computing..... | 62 |
| 5-2-2 | Serial Port Console Redirection | 63 |
| 5-2-3 | SIO Configuration | 66 |
| 5-2-4 | PCI Subsystem Settings..... | 67 |
| 5-2-5 | USB Configuration..... | 69 |
| 5-2-6 | Network Stack Configuration | 70 |
| 5-2-7 | Post Report Configuration | 71 |
| 5-2-8 | NVMe Configuration | 72 |
| 5-2-9 | Chipset Configuration..... | 73 |
| 5-2-10 | Tls Auth Configuration | 74 |
| 5-3 | Chipset Menu | 75 |
| 5-3-1 | Processor Configuration | 76 |
| 5-3-2 | Common RefCode Configuration | 79 |
| 5-3-3 | UPI Configuration | 80 |
| 5-3-4 | Memory Configuration | 82 |
| 5-3-5 | IIO Configuration | 85 |
| 5-3-6 | Advanced Power Management Configuration | 87 |
| 5-3-7 | PCH Configuration..... | 89 |
| 5-3-8 | Miscellaneous Configuration | 91 |
| 5-3-9 | Server ME Configuration | 92 |
| 5-3-10 | Runtime Error Logging Settings | 93 |
| 5-3-11 | Power Policy..... | 95 |
| 5-4 | Server Management Menu..... | 97 |
| 5-4-1 | System Event Log | 99 |
| 5-4-2 | View FRU Information | 100 |
| 5-4-3 | BMC VLAN Configuration..... | 101 |
| 5-4-4 | BMC Network Configuration..... | 102 |
| 5-4-5 | IPv6 BMC Network Configuration..... | 103 |
| 5-5 | Security Menu | 104 |
| 5-5-1 | Secure Boot | 105 |
| 5-6 | Boot Menu..... | 108 |
| 5-7 | Save & Exit Menu..... | 110 |
| 5-8 | BIOS Recovery | 112 |
| 5-9 | BIOS POST Beep code (AMI standard)..... | 113 |
| 5-9-1 | PEI Beep Codes | 113 |
| 5-9-2 | DXE Beep Codes | 113 |

Chapter 1 Hardware Installation

1-1 Installation Precautions

The motherboard/system contain numerous delicate electronic circuits and components which can become damaged as a result of electrostatic discharge (ESD). Prior to installation, carefully read the user manual and follow these procedures:

- Prior to installation, do not remove or break motherboard S/N (Serial Number) sticker or warranty sticker provided by your dealer. These stickers are required for warranty validation.
- Always remove the AC power by unplugging the power cord from the power outlet before installing or removing the motherboard or other hardware components.
- When connecting hardware components to the internal connectors on the motherboard, make sure they are connected tightly and securely.
- When handling the motherboard, avoid touching any metal leads or connectors.
- It is best to wear an electrostatic discharge (ESD) wrist strap when handling electronic components such as a motherboard, CPU or memory. If you do not have an ESD wrist strap, keep your hands dry and first touch a metal object to eliminate static electricity.
- Prior to installing the motherboard, please have it on top of an antistatic pad or within an electrostatic shielding container.
- Before unplugging the power supply cable from the motherboard, make sure the power supply has been turned off.
- Before turning on the power, make sure the power supply voltage has been set according to the local voltage standard.
- Before using the product, please verify that all cables and power connectors of your hardware components are connected.
- To prevent damage to the motherboard, do not allow screws to come in contact with the motherboard circuit or its components.
- Make sure there are no leftover screws or metal components placed on the motherboard or within the computer casing.
- Do not place the computer system on an uneven surface.
- Do not place the computer system in a high-temperature environment.
- Turning on the computer power during the installation process can lead to damage to system components as well as physical harm to the user.
- If you are uncertain about any installation steps or have a problem related to the use of the product, please consult a certified computer technician.

1-2 Product Specifications



NOTE:

We reserve the right to make any changes to the product specifications and product-related information without prior notice.

| | | |
|--|-------------------------|---|
| | System Dimension | <ul style="list-style-type: none"> ◆ 2U 4-Node - Rear access ◆ 440 (W) x 87.5 (H) x 840 (D) mm |
| | CPU | <ul style="list-style-type: none"> ◆ 5th Generation Intel® Xeon® Scalable Processors ◆ 4th Generation Intel® Xeon® Scalable Processors ◆ Dual processor per node, TDP up to 225W <p style="text-align: right;">NOTE: If only 1 CPU is installed, some PCIe or memory functions might be unavailable</p> |
| | Socket | <p>Per Node:</p> <ul style="list-style-type: none"> ◆ 2 x LGA 4677 <p>Total:</p> <ul style="list-style-type: none"> ◆ 8 x LGA 4677 ◆ Socket E |
| | Chipset | <ul style="list-style-type: none"> ◆ Intel® C741 Chipset |
| | Memory | <p>Per Node:</p> <ul style="list-style-type: none"> ◆ 16 x DIMM slots <p>Total:</p> <ul style="list-style-type: none"> ◆ 64 x DIMM slots ◆ DDR5 memory supported only ◆ 8-Channel memory architecture ◆ RDIMM up to 96GB supported ◆ 3DS RDIMM up to 256GB supported ◆ ◆ 5th Gen Intel® Xeon®: Up to 5600 MT/s ◆ 4th Gen Intel® Xeon®: Up to 4800 MT/s |
| | LAN | <p>Per Node:</p> <ul style="list-style-type: none"> ◆ 1 x Dedicated management port <p>Total:</p> <ul style="list-style-type: none"> ◆ 4 x Dedicated management ports |
| | Video | <ul style="list-style-type: none"> ◆ Integrated in Aspeed® AST2600 ◆ 2D Video Graphic Adapter with PCIe bus interface ◆ 1920x1200@60Hz 32bpp, DDR4 SDRAM <p>Management chip on CMC board:</p> <ul style="list-style-type: none"> ◆ Integrated in Aspeed® AST2520A2-GP |



Storage

Per node:

- ◆ 6 x 2.5" Gen5 NVMe/SATA/SAS-4 hot-swappable bays, from CPU_1

Total:

- ◆ 24 x 2.5" Gen5 NVMe/SATA/SAS-4 hot-swappable bays, from CPU_1

SAS card is required for SAS devices support



SAS

- ◆ Supported via add-on SAS Card



RAID

- ◆ Intel® SATA RAID 0/1/10/5



Expansion Slots

Per node:

Riser Card CRSH01T:

- ◆ 1 x PCIe x16 (Gen5 x16) low-profile slot, from CPU_0

Riser Card CRSH01U:

- ◆ 1 x PCIe x16 (Gen5 x16) low-profile slot, from CPU_0

Riser Card CRSH310 (optional):

- ◆ 1 x PCIe x16 (Gen5 x16) low-profile slot, from CPU_1

1 x OCP 3.0 slot with PCIe Gen5 x16 bandwidth, from CPU_0

Supports NCSI function

Optional 1 x M.2 slot (CMTP061):

- ◆ M-key
- ◆ PCIe Gen4 x4, from CPU_1
- ◆ Supports 2280/22110 cards

Total:

Riser Card CRSH01T x 4:

- ◆ 4 x PCIe x16 (Gen5 x16) low-profile slot, from CPU_0

Riser Card CRSH01U x 4:

- ◆ 4 x PCIe x16 (Gen5 x16) low-profile slot, from CPU_0

Riser Card CRSH310 x 4 (optional):






- ◆ 4 x PCIe x16 (Gen5 x16) low-profile slot, from CPU_1

4 x OCP 3.0 slot with PCIe Gen5 x16 bandwidth, from CPU_0

Supports NCSI function

Optional 4 x M.2 slot (CMTP061):

- ◆ M-key
- ◆ PCIe Gen4 x4, from CPU_1
- ◆ Supports 2280/22110 cards

| | | |
|---|---------------|--|
|  | Internal I/O | Per Node: |
| | | <ul style="list-style-type: none"> ◆ 1 x TPM header |
|  | Front I/O | Per node: |
| | | <ul style="list-style-type: none"> ◆ 1 x Power button with LED ◆ 1 x ID button with LED ◆ 1 x Status LED ◆ 1 x System reset button |
| | | Total: |
| | | <ul style="list-style-type: none"> ◆ 4 x Power button with LED ◆ 4 x ID button with LED ◆ 4 x Status LED ◆ 4 x System reset button ◆ *1 x CMC status LED ◆ *1 x CMC reset button |
| | | *Only one CMC status LED and reset button per system |
|  | Rear I/O | Per node: |
| | | <ul style="list-style-type: none"> ◆ 2 x USB 3.2 Gen1 ◆ 1 x VGA ◆ 1 x MLAN ◆ 1 x ID button with LED |
| | | Total: |
| | | <ul style="list-style-type: none"> ◆ 8 x USB 3.2 Gen1 ◆ 4 x VGA ◆ 4 x MLAN ◆ 4 x ID buttons with LED ◆ *1 x CMC port |
| | | *Only one CMC port per system. |
|  | Backplane I/O | <ul style="list-style-type: none"> ◆ Speed and bandwidth: ◆ PCIe Gen5 x4 or SATA 6Gb/s or SAS-4 24Gb/s |
|  | TPM | <ul style="list-style-type: none"> ◆ 1 x TPM header with SPI interface ◆ Optional TPM2.0 kit: CTM010 |



Power Supply

- ◆ Dual 3000W 80 PLUS Titanium redundant power supply
- ◆ Available for 2+1 redundant power supply configuration (**optional**)

AC Input:

- ◆ 100-127V~/ 16A, 50/60Hz
- ◆ 200-207V~/ 16A, 50/60Hz
- ◆ 208-240V~/ 16A, 50/60Hz

DC Input: (Only for China)

- ◆ 240Vdc/ 16A

DC Output:

- ◆ Max 1200W/ 100-127V~
- ◆ +12.2V/ 98.36A
- ◆ +12.2Vsb/ 3A
- ◆ Max 2600W/ 200-207V~
- ◆ +12.2V/ 213A
- ◆ +12.2Vsb/ 3A
- ◆ Max 3000W/ 208-240V~ or 240Vdc Input
- ◆ +12.2V/ 245.9A
- ◆ +12.2Vsb/ 3A

NOTE: The system power supply requires C19 type power cord



System Management

- ◆ Aspeed® AST2600 management controller
- ◆ GIGABYTE Management Console (AMI MegaRAC SP-X) web interface

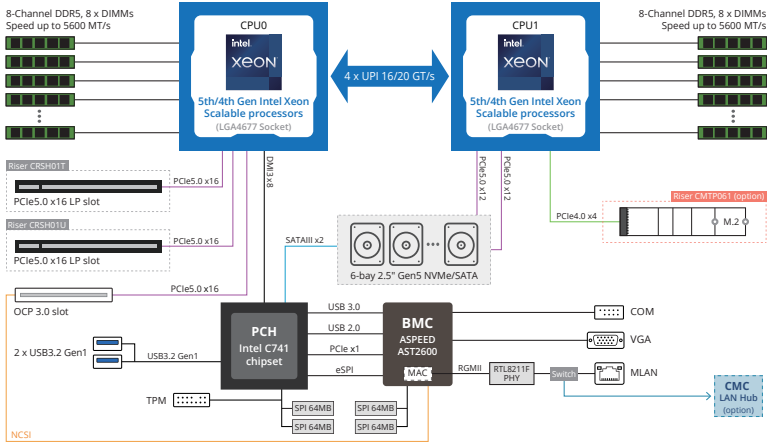
- ◆ Dashboard
- ◆ HTML5 KVM
- ◆ Sensor Monitor (Voltage, RPM, Temperature, CPU Status ...etc.)
- ◆ Sensor Reading History Data
- ◆ FRU Information
- ◆ SEL Log in Linear Storage / Circular Storage Policy
- ◆ Hardware Inventory
- ◆ Fan Profile
- ◆ System Firewall
- ◆ Power Consumption
- ◆ Power Control
- ◆ LDAP / AD / RADIUS Support
- ◆ Backup & Restore Configuration
- ◆ Remote BIOS/BMC/CPLD Update
- ◆ Event Log Filter
- ◆ User Management
- ◆ Media Redirection Settings
- ◆ PAM Order Settings
- ◆ SSL Settings
- ◆ SMTP Settings



Operating
Properties

- ◆ Operating temperature: 10°C to 35°C
- ◆ Operating humidity: 8-80% (non-condensing)
- ◆ Non-operating temperature: -40°C to 60°C
- ◆ Non-operating humidity: 20%-95% (non-condensing)

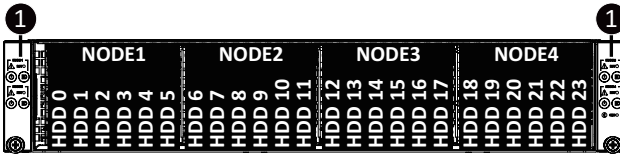
1-3 System Block Diagram



• Please Go to Chapter 4 Motherboard Components for Riser Slot information.

Chapter 2 System Appearance

2-1 Front View

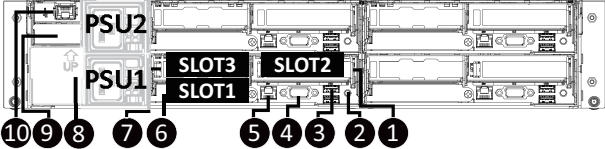


| No. | Description |
|--|------------------------------|
| 1. | Front Panel LEDs and buttons |
| NOTE! Drives with green latches support NVMe. | |



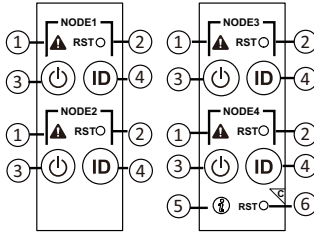
- Please Go to Chapter 2-3 Front Panel LED and Buttons for detail description of function LEDs.

2-2 Rear View



| No. | Description |
|-----|--|
| 1. | PCIe Slot |
| 2. | ID Button |
| 3. | 2 x USB 3.2 Gen1 |
| 4. | VGA Port |
| 5. | BMC Server Management LAN Port |
| 6. | OCP 3.0 Slot (SFF Type) |
| 7. | PCIe Slot |
| 8. | CMC LAN Port |
| 9. | Ring Topology Kit (Option) |
| 10. | 2+1 Redundant Power Supply Unit (Option) |

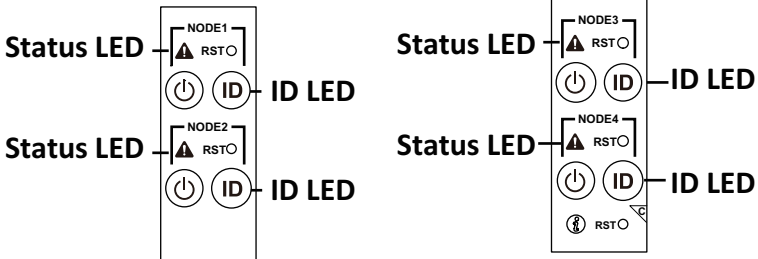
2-3 Front Panel LED and Buttons



| No. | Name | Color | Status | Description |
|-----|--------------------------------------|-------|----------|---|
| 1. | System Status LED ^(Note) | Green | Solid On | System is operating normally. |
| | | Amber | Solid On | Critical condition, may indicate: System fan failure System temperature |
| | | | Blink | Non-critical condition, may indicate: Redundant power module failure Temperature and voltage issue Chassis intrusion |
| | | N/A | Off | System is not ready, may indicate: POST error NMI error Processor or terminator missing |
| 2. | Reset Button | -- | -- | Press this button to reset the system. |
| 3. | Power button with LED | Green | On | System is powered on |
| | | Green | Blink | System is in ACPI S1 state (sleep mode) |
| | | N/A | Off | <ul style="list-style-type: none"> System is not powered on or in ACPI S5 state (power off) System is in ACPI S4 state (hibernate mode) |
| 4. | ID Button with LED ^(Note) | Blue | On | System identification is active. |
| | | N/A | Off | System identification is disabled. |
| 5. | Enclosure | Green | On | System is operating normally. |
| | | | On | Critical condition, may indicate: Power module failure System fan failure Power supply voltage issue System temperature |
| | | Amber | Blink | Non-critical condition, may indicate: Redundant power module failure Temperature and voltage issue |
| 6. | CMC Reset Button | -- | -- | Press this button to reset the CMC. |

(Note) If your server features RoT function, please see the following section for detail LED behavior.

2-4 RoT LEDs



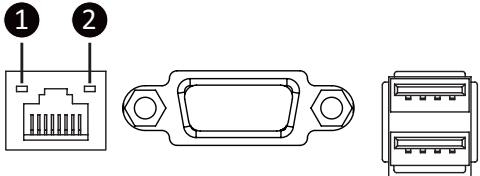
| LED on Front panel ^(Note5) | | |
|---|-----------------------------------|------------------------------------|
| | ID LED | Status LED |
| EC Firmware (FW) Authentication fail or not exit | | |
| EC FW is broken or not exit ^(Note1) | OFF | OFF |
| Authenticating/Recovering BMC/BIOS Images | | |
| Authenticating Images | OFF | OFF |
| Recovering BMC Active Flash | Blinks Blue 4 times per second | Blinks Green 4 times per second |
| Recovering BIOS Active Flash | Blinks Blue 4 times per second | Blinks Amber 4 times per second |
| Authentication (AUTH) Pass | | |
| Recovering BIOS Active Flash | OFF | OFF |
| BMC : AUTH pass after doing recovery | OFF | OFF |
| BIOS : AUTH pass after doing recovery | OFF | OFF |
| BMC : AUTH pass after doing recovery | OFF | OFF |
| BIOS : AUTH pass | OFF | OFF |
| BMC : AUTH pass | OFF | OFF |
| BIOS : AUTH pass after doing recovery | OFF | OFF |
| Active Flash Authentication (AUTH) Fail | | |
| BMC : AUTH Fail ^(Note2) | Blinks Blue 1 time per second | Blinks Green 1 time per second |
| BIOS : AUTH fail ^(Note2) | Blinks Blue 1 time per second | Blinks Amber 1 time per second |

| | | |
|---|--|---|
| BMC : AUTH fail after doing recovery ^(Note3) | Blinks Blue 2 times per second [ON OFF OFF] | Blinks Green 2 times per second [ON OFF OFF] |
| BIOS : AUTH fail after doing recovery ^(Note3) | Blinks Blue 2 times per second [ON OFF OFF] | Blinks Amber 2 times per second [ON OFF OFF] |
| Backup Flash Authentication Fail ^(Note4) | | |
| BMC : AUTH fail | Blinks Blue 2 times per second [ON OFF ON OFF] | Blinks Green 2 times per second [ON OFF ON OFF] |
| BIOS : AUTH fail | Blinks Blue 2 times per second [ON OFF ON OFF] | Blinks Amber 2 times per second [ON OFF ON OFF] |

NOTE!

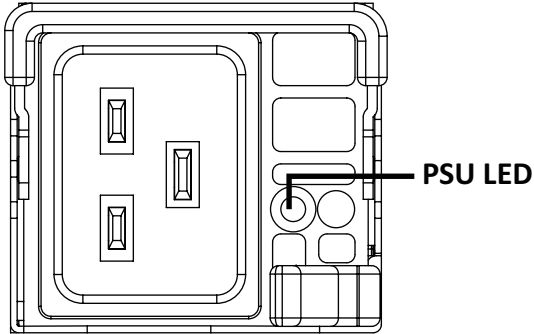
1. EC FW is broken or not exited result in Microchip CEC1702 cannot load EC FW for authentication.
2. CEC1702's bootloader load EC FW from BMC Flash1 when AC on. It must authenticate this FW firstly before run the FW. If the authenticate fail or not get the FW successfully, CEC1702 is not allowed to execute this FW and ECSTS_LED1 on the MB is OFF state.
3. if active flash is still authentication failed after recovery sequence, Microchip CEC1702 stop the process and showing LED behavior.
4. If backup flash authentication is failed cause by configuration table, public key or protected area is broken. Microchip CEC1702 stop the process and showing LED behavior.
5. Front panel LED is controlled by BMC or Microchip CEC1702. Once Microchip CEC1702 is working(Auth or recovery), the front panel LED is controlled by Microchip CEC1702 and vice versa.

2-5 Rear System LAN LEDs



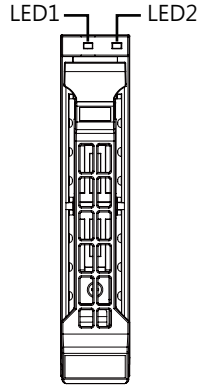
| No. | Name | Color | Status | Description |
|-----|------------------------|--------|--------|--|
| 1. | 1GbE Speed LED | Yellow | On | 1Gbps data rate |
| | | Green | On | 100 Mbps data rate |
| | | N/A | Off | 10 Mbps data rate |
| 2. | 1GbE Link/Activity LED | Green | On | Link between system and network or no access |
| | | | Blink | Data transmission or receiving is occurring |
| | | N/A | Off | No data transmission or receiving is occurring |

2-6 Power Supply Unit LED



| State | Description |
|--------------------|---|
| OFF | No AC power to all power supplies |
| 1Hz Green Blinking | AC present / only standby on / Cold redundant mode |
| 2Hz Green Blinking | Power supply firmware updating mode |
| Amber | AC cord unplugged or AC power lost; with a second power supply in parallel still with AC input power |
| | Power supply critical event causing shut down: failure, OCP, OVP, fan failure and UVP |
| 1Hz Amber Blinking | Power supply warning events where the power supply continues to operate: high temp, high power, high current and slow fan |

2-7 Hard Disk Drive LEDs



| RAID SKU | | LED1 | Locate | HDD Fault | Rebuilding | HDD Access | HDD Present (No Access) |
|--|---|-------|--------|-----------|-------------------|------------|-------------------------|
| No RAID configuration (via HBA) | Disk LED (LED on Back Panel) | Green | ON(*1) | OFF | | BLINK (*2) | OFF |
| | | Amber | OFF | OFF | | OFF | OFF |
| | Removed HDD Slot (LED on Back Panel) | Green | ON(*1) | OFF | | -- | -- |
| | | Amber | OFF | OFF | | -- | -- |
| RAID configuration (via HW RAID Card or SW RAID Card) | Disk LED | Green | ON | OFF | | BLINK (*2) | OFF |
| | | Amber | OFF | ON | (Low Speed: 2 Hz) | OFF | OFF |
| | Removed HDD Slot | Green | ON(*1) | OFF | (*3) | -- | -- |
| | | Amber | OFF | ON | (*3) | -- | -- |

| LED 2 | HDD Present | No HDD |
|-------|-------------|--------|
| Green | ON | OFF |

NOTE:

*1: Depends on HBA/Utility Spec.

*2: Blink cycle depends on HDD's activity signal.

*3: If HDD is pulled out during rebuilding, the disk status of this HDD is regarded as faulty.

Chapter 3 System Hardware Installation



Pre-installation Instructions

Computer components and electronic circuit boards can be damaged electrostatic discharge. Working on computers that are still connected to a power supply can be extremely dangerous. Follow the simple guidelines below to avoid damage to your computer or injury to yourself.

- Always disconnect the computer from the power outlet whenever you are working inside the computer case.
- If possible, wear a grounded wrist strap when you are working inside the computer case. Alternatively, discharge any static electricity by touching the bare metal system of the computer case, or the bare metal body of any other grounded appliance.
- Hold electronic circuit boards by the edges only. Do not touch the components on the board unless it is necessary to do so. Do not flex or stress the circuit board.
- Leave all components inside the static-proof packaging until you are ready to use the component for the installation.

3-1 Installing the Hard Disk Drive

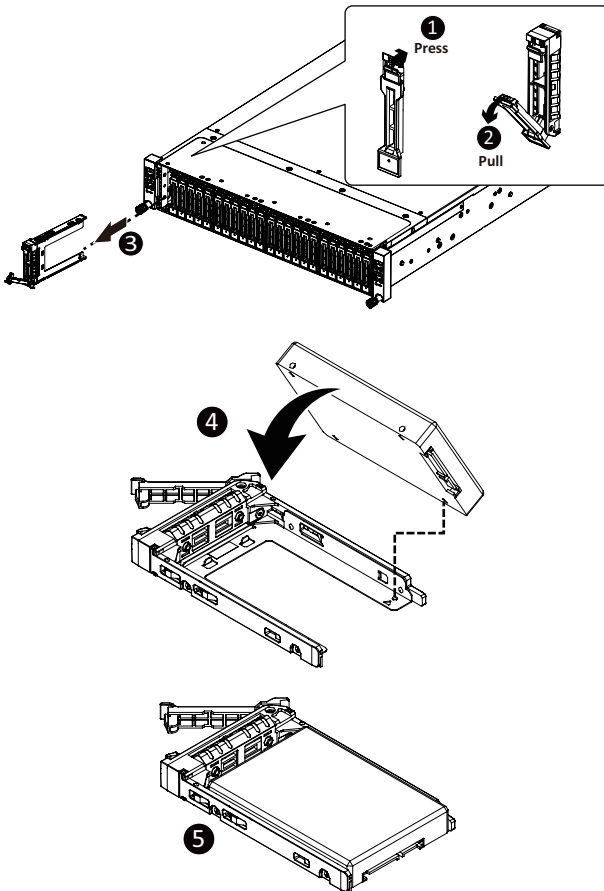


Read the following guidelines before you begin to install the Hard disk drive:

- Take note of the drive tray orientation before sliding it out.
- The tray will not fit back into the bay if inserted incorrectly.
- Make sure that the HDD is connected to the HDD connector on the backplane.

Follow these instructions to install the Hard disk drive:

1. Press the release button.
2. Extend the locking lever.
3. Pull the locking lever to remove the HDD tray.
4. Align the hard disk drive with the positioning stud on the HDD tray.
5. Slide hard disk drive into the blank HDD tray.
6. Reinsert the HDD tray into the slot and close the locking lever.



3-2 Removing the Node

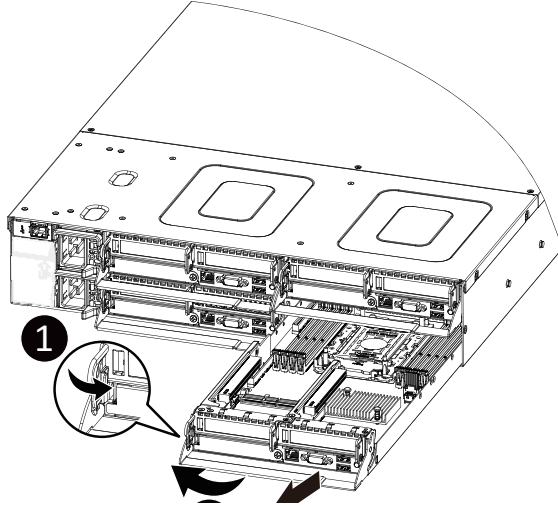


Read the following guidelines before you begin to replace a node:

- To make sure the system operates normally, please power off only the node that will be replaced or reconfigured.

Follow these instructions to remove a node:

1. Press the release latch while simultaneously pushing down the tray handle for the node.
2. Pull the node out of the system.
3. To install the node, push the node back into the system.



3-3 Removing Chassis Cover

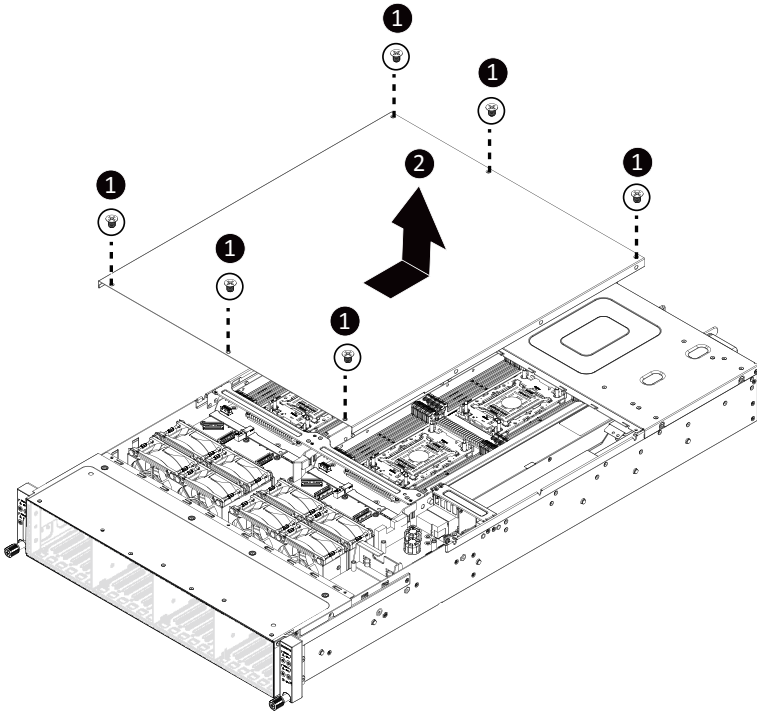


Before you remove or install the system cover

- Make sure the system is not turned on or connected to AC power.

Follow these instructions to remove the system cover:

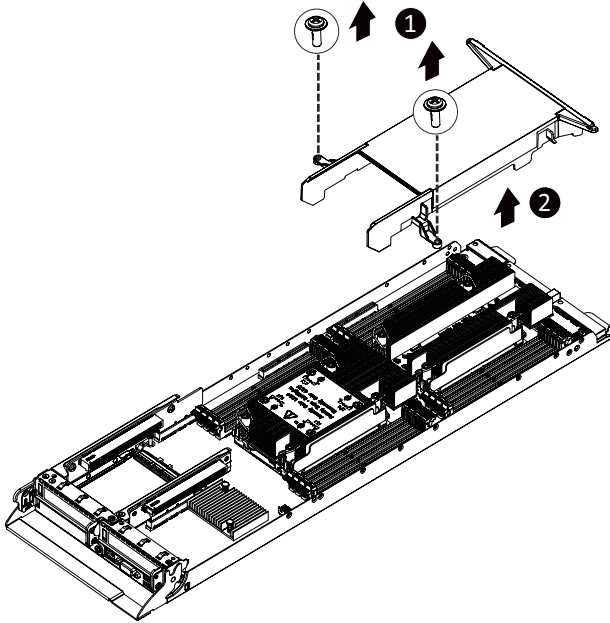
1. Loosen and remove the six screws securing the back cover.
2. Slide the cover to the rear of the system and remove the cover in the direction of the arrow.



3-4 Removing and Installing the Fan Duct

Follow these instructions to remove/install the fan duct:

1. Remove the two screws securing the fan ducts.
2. Lift up to remove the fan ducts
3. To install the fan duct, align the fan duct with the guiding groove. Push down the fan duct into chassis until its firmly seats, then install the four screws to secure the fan ducts in place.



3-5 Removing and Installing the Heatsink

Read the following guidelines before you begin to install the heatsink:

- Always turn off the computer and unplug the power cord from the power outlet before installing the heatsink to prevent hardware damage.
- Unplug all cables from the power outlets.
- Disconnect all telecommunication cables from their ports.
- Place the system unit on a flat and stable surface.
- Open the system according to the instructions.

WARNING!

Failure to properly turn off the server before you start installing components may cause serious damage. Do not attempt the procedures described in the following sections unless you are a qualified service technician.

Follow these instructions to remove the heatsink:

1. Loosen the four captive screws securing the heatsink to the system.
2. Lift and remove the heatsink.



WARNING!

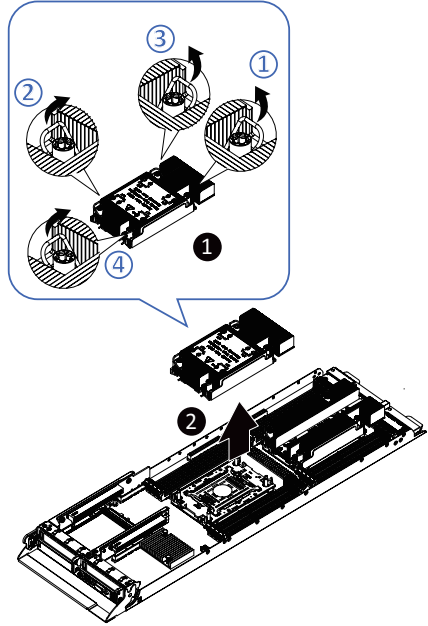
CPU0 and CPU1 use different CPU heatsinks. See the following images for using the correct heatsink.

Failure to observe the warning could result in damage to the equipment.

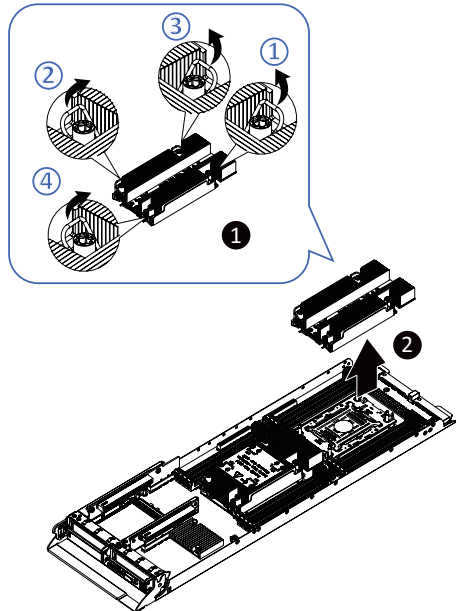
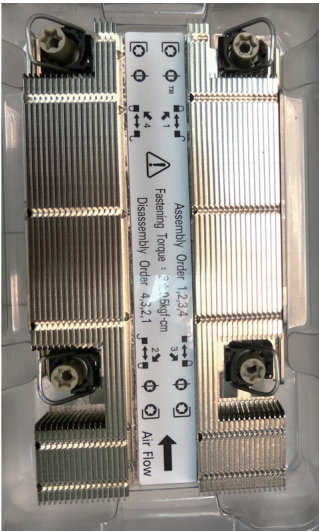


- Lock the CPU by using a T30-Lobe driver to tighten screw.
- When installing the heatsink to CPU, use T30-Lobe driver to tighten 4 captive nuts in sequence as 1-4.
- To ensure the system operates properly, make sure the heatsink is seated on the processor firmly.

CPU0 Heatsink:



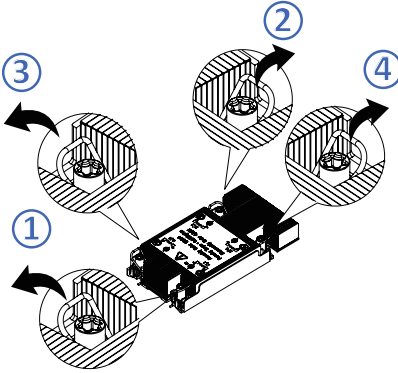
CPU1 Heatsink:



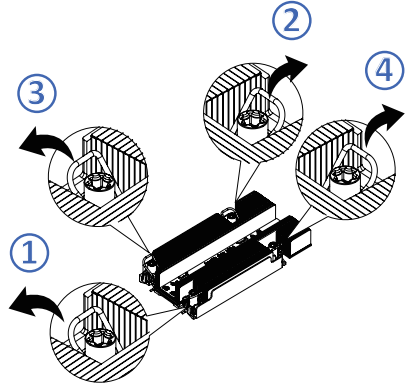
NOTE!

- When installing the heatsink to CPU,use T30-Lobe driver to tighten 4 captive nuts in sequence as 1-4.
- The screw tightening torque: 8 ± 0.5 kgf-cm.

CPU0 Heatsink



CPU1 Heatsink:



3-6 Installing the CPU and Heat Sink



Read the following guidelines before you begin to install the CPU:

- Make sure that the motherboard supports the CPU.
- Always turn off the computer and unplug the power cord from the power outlet before installing the CPU to prevent hardware damage.
- Unplug all cables from the power outlets.
- Disconnect all telecommunication cables from their ports.
- Place the system unit on a flat and stable surface.
- Open the system according to the instructions.

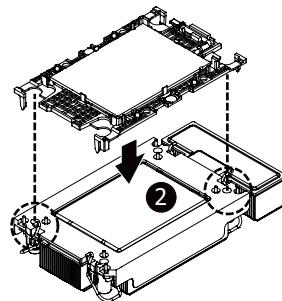
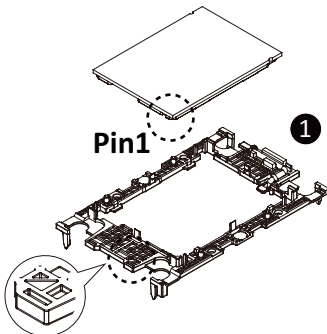


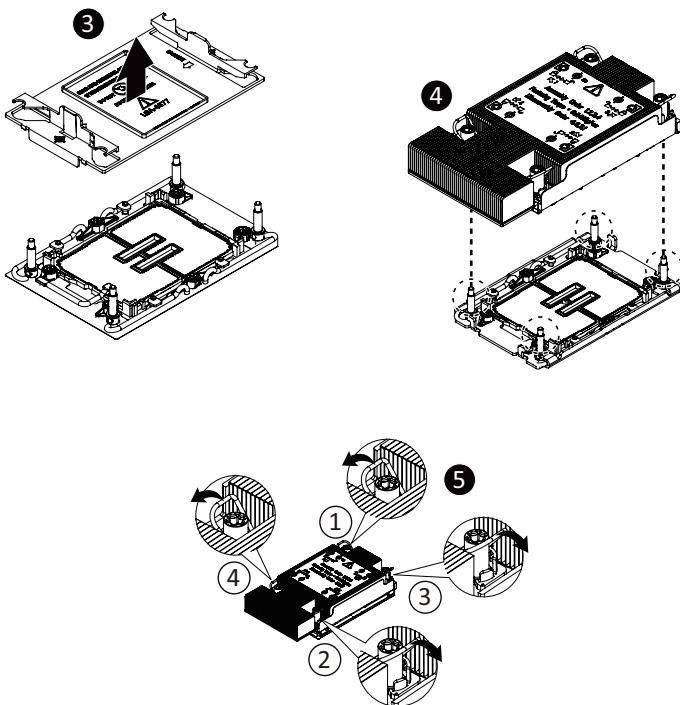
WARNING!

Failure to properly turn off the server before you start installing components may cause serious damage. Do not attempt the procedures described in the following sections unless you are a qualified service technician.

Follow these instructions to install the CPU:

1. Align the processor to the carrier so that the gold triangle on the processor aligns with the triangle on the carrier, and then install the processor into the carrier.
NOTE: Apply thermal compound evenly on the top of the CPU.
2. Carefully flip the heatsink over. Align the carrier assembly so that the triangle on the carrier aligns with the triangle on the heatsink, and then install the carrier assembly onto the bottom of the heatsink.
3. Remove the CPU socket cover.
NOTE: Save and replace the CPU socket cover if the processor is removed from its socket.
4. Align the heatsink to the CPU socket using the guide pins and make sure the gold triangle is in the correct orientation. Then place the heatsink onto the top of the CPU socket.
5. Secure the heatsink by tightening the screws in sequential order (1→2→3→4).
NOTE: When removing the heatsink, loosen the screws in reverse order (4→3→2→1).





Carrier Types used for Package Types

| Package Type | Xeon® SP XCC | Xeon® SP MCC | Xeon® SP+HBM |
|--------------|--------------|--------------|--------------|
| Carrier Code | E1A | E1B | E1C |

NOTE!

- The carrier code is marked on each carrier and matches a code laser marked on to the IHS(Integrated Heat Spreader) to ensure the right parts are used together.
- When installing the heatsink to CPU,use T30-Lobe driver to tighten 4 captive nuts in sequence as 1-4.
- The screw tightening torque: 8 ± 0.5 kgf-cm.

3-7 Installing Memory

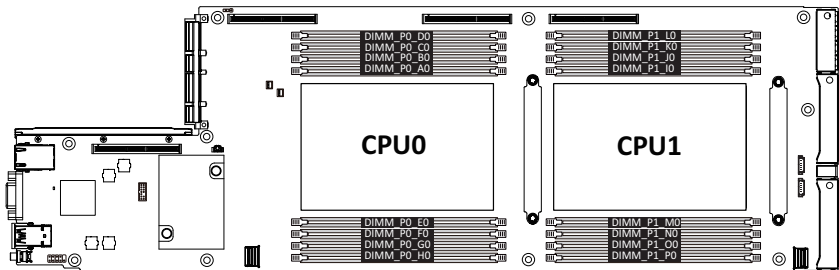


Read the following guidelines before you begin to install the memory:

- Make sure that the motherboard supports the memory. It is recommended that memory of the same capacity, brand, speed, and chips be used.
- Always turn off the computer and unplug the power cord from the power outlet before installing the memory to prevent hardware damage.
- Memory modules have a foolproof design. A memory module can be installed in only one direction. If you are unable to insert the memory, switch the direction.

3-7-1 Eight Channel Memory Configuration

This motherboard provides 16 DDR5 memory sockets and supports Eight Channel Technology. After the memory is installed, the BIOS will automatically detect the specifications and capacity of the memory. Enabling eight Channel memory mode will be eight times of the original memory bandwidth.



3-7-2 Installing the Memory

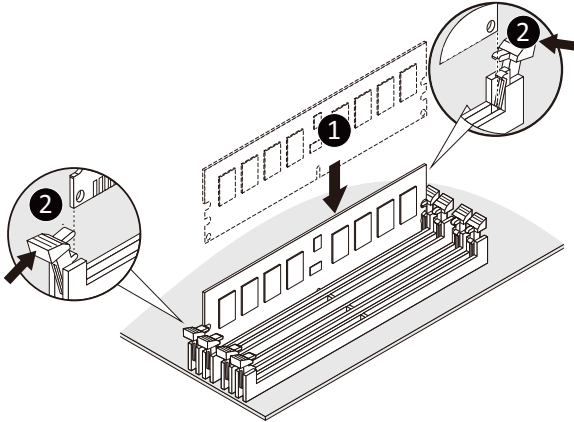


Before installing a memory module, make sure to turn off the computer and unplug the power cord from the power outlet to prevent damage to the memory module.

Be sure to install DDR5 DIMMs on this motherboard.

Follow these instructions to install the Memory:

1. Insert the DIMM memory module vertically into the DIMM slot, and push it down.
2. Close the plastic clip at both edges of the DIMM slots to lock the DIMM module.
3. Reverse the installation steps when you want to remove the DIMM module.



3-7-3 DIMM Population Table

4th Gen Intel Xeon Scalable Processors-SP Memory Support

| Type | Ranks Per DIMM and Data Width | DIMM Capacity (GB) | | | Speed (MT/s); Voltage (V); DIMM per Channel (DPC) | |
|-----------|-------------------------------|----------------------|-------------------|-------|---|------|
| | | 16Gb | 24Gb ² | 36Gb | 1DPC ¹ | 2DPC |
| | | | | | 1.1V | |
| RDIMM | SRx8 (RC D) | 16GB | 24GB | NA | 4800 | 4400 |
| | SRx4 (RC C) | 32GB | 48GB | NA | | |
| | SRx4 (RC F) 9x4 | 32GB | NA | NA | | |
| | DRx8 (RC E) | 32GB | 48GB | NA | | |
| | DRx4 (RC A) | 64GB | 96GB | 128GB | | |
| RDIMM 3DS | (4R/8R)x4 (RC A) | 2H-128GB 4H-256GB | NA | NA | | |

NOTE:

- 1DPC applies to 1SPC or 2SPC implementations (SPC - Sockets Per Channel)
- 24Gb XCC only w/ limited configs: 1DPC all DIMM types, 2DPC 96GB only. Only 8 and 16 DIMM configs, no fallbacks.

5th Gen Intel Xeon Scalable Processors-SP Memory Support

| Type | Ranks Per DIMM and Data Width | DIMM Capacity (GB) | | | Speed (MT/s); Voltage (V); DIMM per Channel (DPC) | |
|-----------|-------------------------------|----------------------|-------------------|-------|---|-------------------|
| | | 16Gb | 24Gb ² | 36Gb | 1DPC ¹ | 2DPC |
| | | | | | 1.1V | |
| RDIMM | SRx8 (RC D) | 16GB | 24GB | NA | 5600 ³ | 4400 ³ |
| | SRx4 (RC C) | 32GB | 48GB | NA | | |
| | SRx4 (RC F) 9x4 | NA | NA | NA | | |
| | DRx8 (RC E) | 32GB | 48GB | NA | | |
| | DRx4 (RC A) | 64GB | 96GB | 128GB | | |
| RDIMM 3DS | (4R/8R)x4 (RC A) | 2H-128GB 4H-256GB | NA | NA | 5600 ⁴ | |

NOTE:

- 1DPC applies to 1SPC or 2SPC implementations (SPC - Sockets Per Channel)
- 24Gb 2DPC not POR w/ 24GB and 48GB DIMMs.
- DDR5-5600 RDIMMs will be limited to 5600 MT/s 1DPC and 4400 MT/s 2DPC. DDR5-4800 DIMMs will be limited to 4800 MT/s 1DPC and 4400 MT/s 2DPC.
- DDR5-5600 DIMMs are required for 5600 and 5200 1DPC speeds.

3-7-4 Processor and Memory Module Matrix Table

| Memory Q'ty for each CPU | CPU0 | | | | | | | | CPU1 | | | | | | | |
|-----------------------------|------|----|----|----|----|----|----|----|------|----|----|----|----|----|----|----|
| | H0 | G0 | F0 | E0 | A0 | B0 | C0 | D0 | P0 | O0 | N0 | M0 | I0 | J0 | K0 | L0 |
| 1 DIMM | | | | | v | | | | | | | | v | | | |
| 2 DIMM | | v | | | v | | | | | v | | | v | | | |
| 4 DIMM | | v | | v | v | | v | | | v | | v | v | | v | |
| 6 DIMM | | v | v | v | v | | v | v | | v | v | v | v | | v | v |
| 8 DIMM | v | v | v | v | v | v | v | v | v | v | v | v | v | v | v | v |
| 12 DIMM | v | v | v | v | v | v | v | v | v | v | v | v | v | v | v | v |
| 16 DIMM | v | v | v | v | v | v | v | v | v | v | v | v | v | v | v | v |

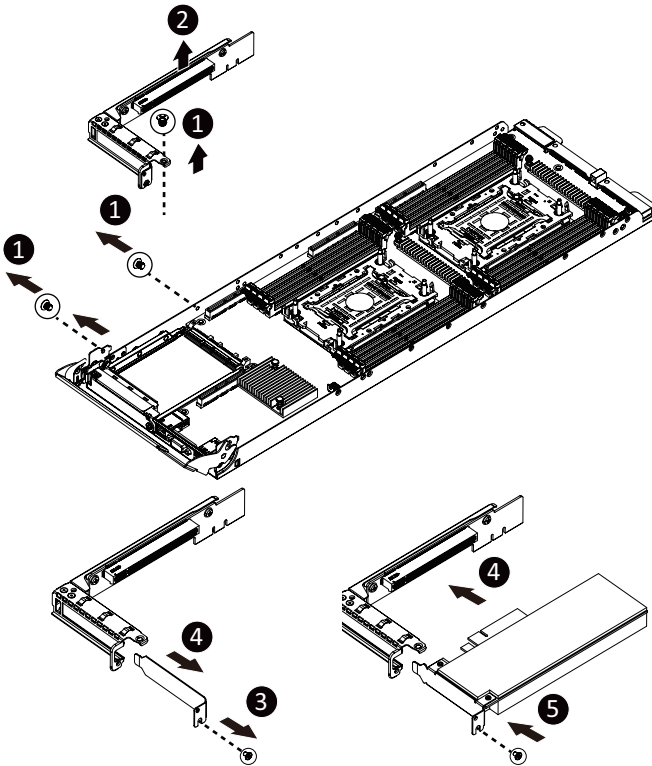
3-8 Installing the PCI Expansion Card

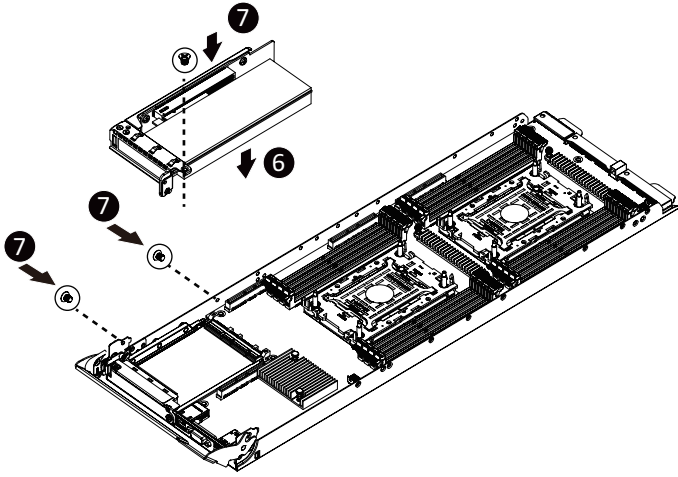


- The PCI riser assembly does not include a riser card or any cabling as standard. To install a PCI card, a riser card must be installed.

Follow these instructions to install the left PCI Expansion card:

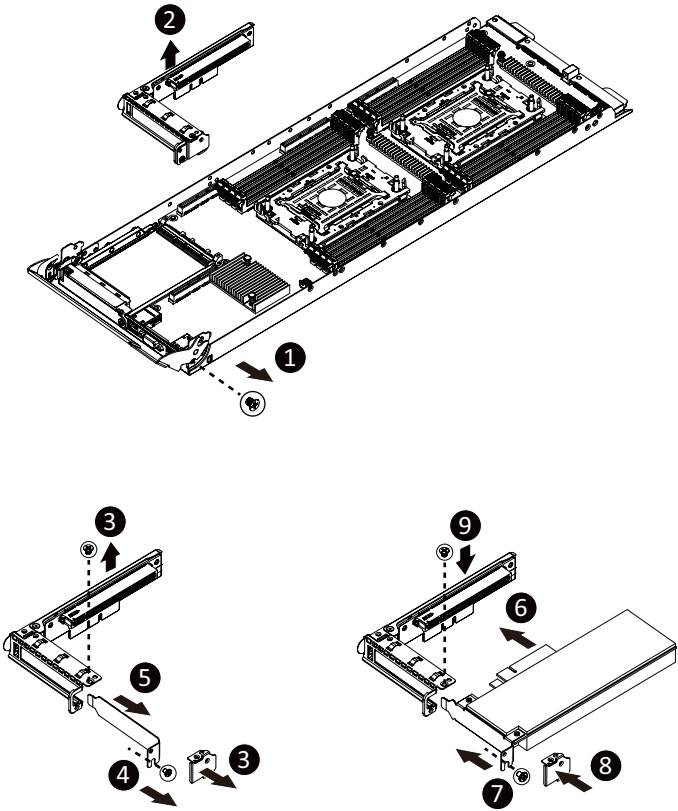
1. Remove the three screw on the riser bracket to the system.
2. Lift up the riser bracket out of system.
3. Remove the screw securing the side bracket to the riser bracket.
4. Align the PCIe card to the riser guide slot and push in the direction of the arrow until the PCI-E card sits in the PCI card connector.
5. Secure the PCIe card with a screw.
6. Secure the side bracket to the riser bracket with a screw.
7. Reverse steps 1 - 4 to install the riser bracket back into the system.

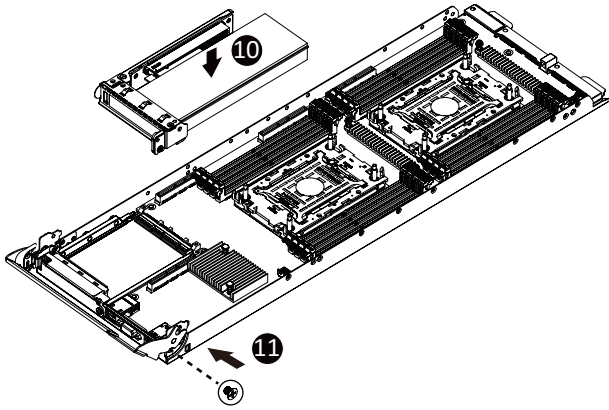




Follow these instructions to install the right PCI Expansion card:

1. Remove the one screw securing the riser bracket to the system.
2. Lift up the riser bracket out of system.
3. Remove the PCI screw and bracket.
4. Remove the side bracket
5. Align the PCIe card to the riser guide slot and push in the direction of the arrow until the PCIe card sits in the PCI card connector.
6. Secure the PCIe card with a screw.
7. Install the side bracket to the riser bracket.
8. Reverse steps 1 - 4 to install the riser bracket back into the system.





3-9 Installing the Mezzanine Card

3-9-1 Installing the OCP 3.0 Mezzanine Card

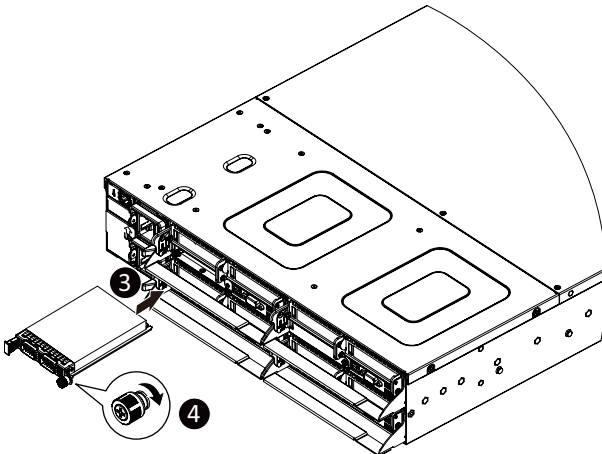
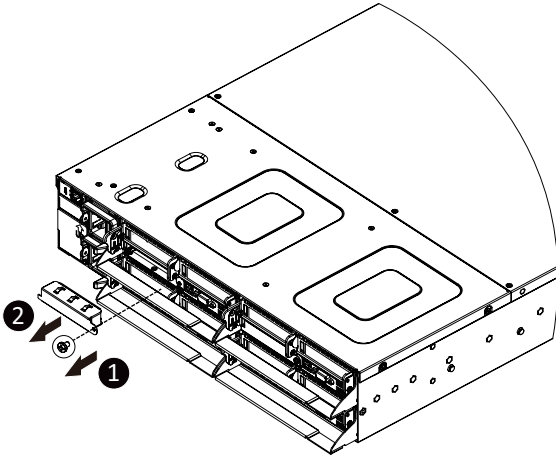


Use of the following type of OCP 3.0 NIC is recommended:

- OCP 3.0 SFF with pull tab
- OCP 3.0 SFF with ejector latch

Follow these instructions to install an OCP 3.0 Mezzanine card:

1. Remove the one screw securing the OCP 3.0 card slot cover.
2. Remove the slot cover from the system.
3. Insert the OCP 3.0 card into the card slot ensuring that the card is firmly connected to the connector on the motherboard.
4. Tighten the thumbnail screw to secure the OCP 3.0 card in place.
5. Reverse steps 3-4 to replace the OCP 3.0 card.



3-10 Replacing the Fan Assembly

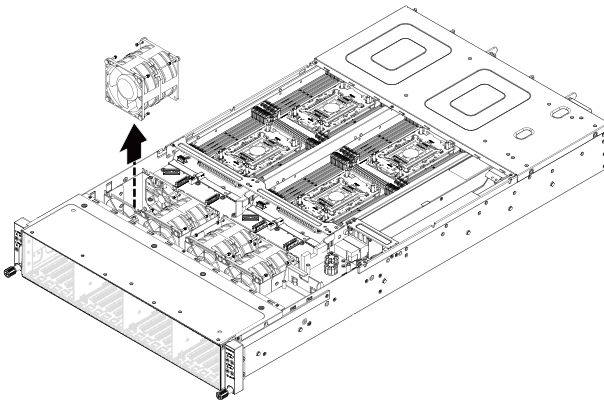
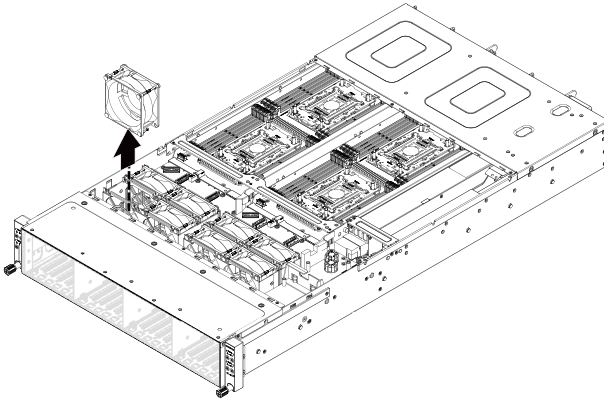


- Voltages can be present within the server whenever an AC power source is connected. This voltage is present even when the main power switch is in the off position. Ensure that the system is powered-down and all power sources have been disconnected from the server prior to replacing a system fan.

Failure to observe these warnings could result in personal injury or damage to equipment.

Follow these instructions to replace the fan assembly:

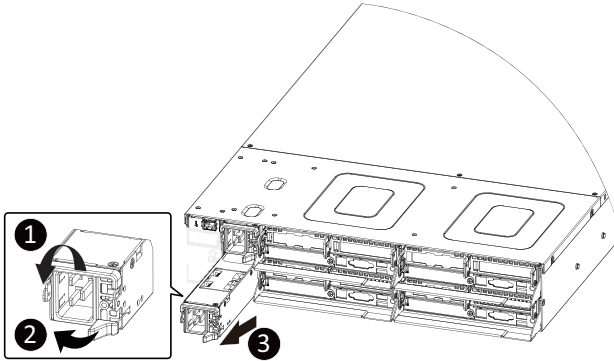
1. Lift up the fan assembly from the chassis.
2. Reverse the previous steps to install the replacement fan assembly.



3-11 Replacing the Power Supply

Follow these instructions to replace the power supply:

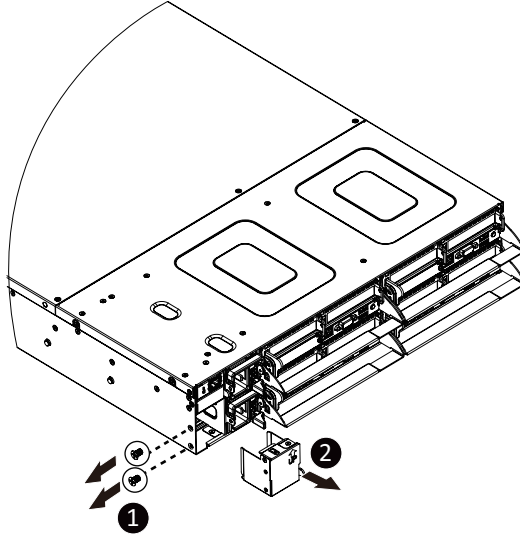
1. Pull up the power supply handle and press the retaining clip on the right side of the power supply along the direction of the arrow. At the same time, pull out the power supply by using its handle.
2. Insert the replacement power supply firmly into the chassis. Connect the AC power cord to the replacement power supply.



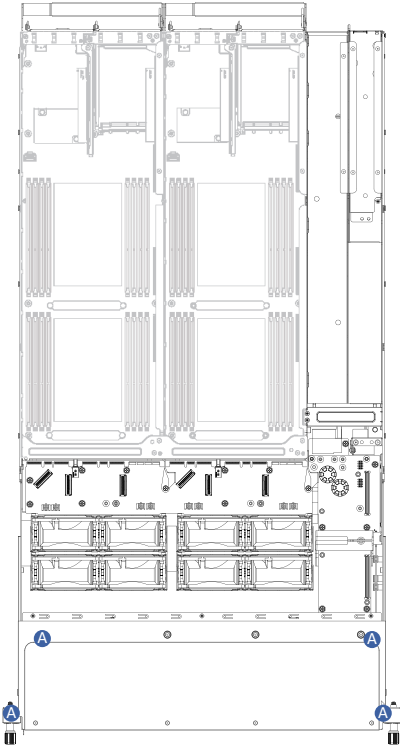
3-12 Removing the Power Supply Dummy Cover

Follow these instructions to remove the power supply dummy cover:

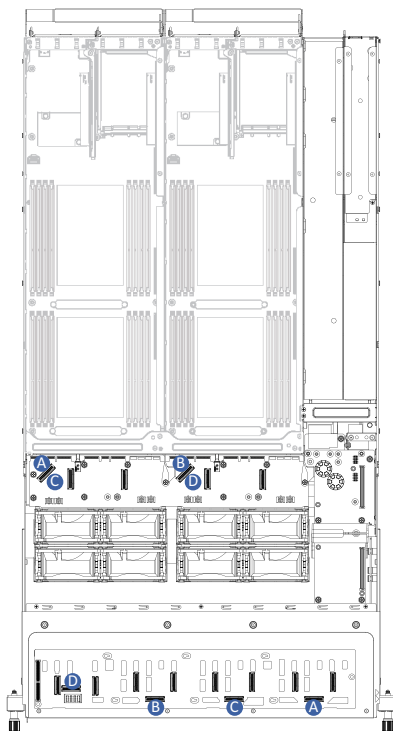
1. Remove the two screws on the system.
2. Pull up the cover handle, at the same time, pull out the metal cover by using its handle.
3. Insert the replacement power supply firmly into the chassis. Connect the AC power cord to the replacement power supply.



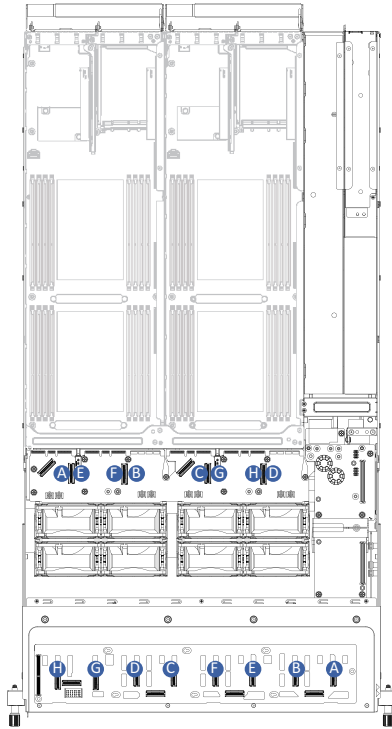
3-13 Cable Routing



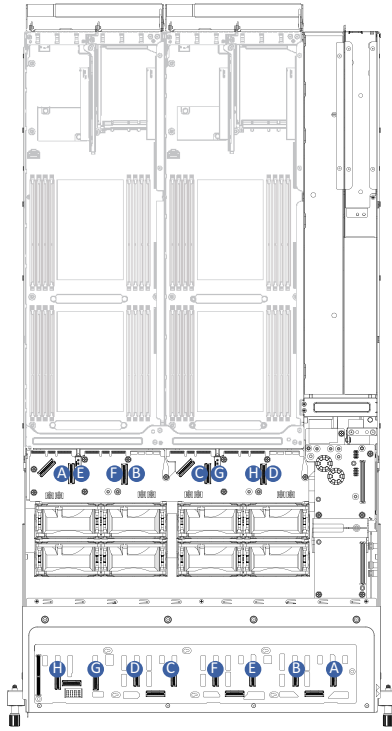
| | | |
|---|------------------------------------|---|
| A | Front Panel LEDs and Buttons Cable | Motherboard: FP_1 Front IO Board: FP_1 |
| | | Front IO Board: FP_1 |



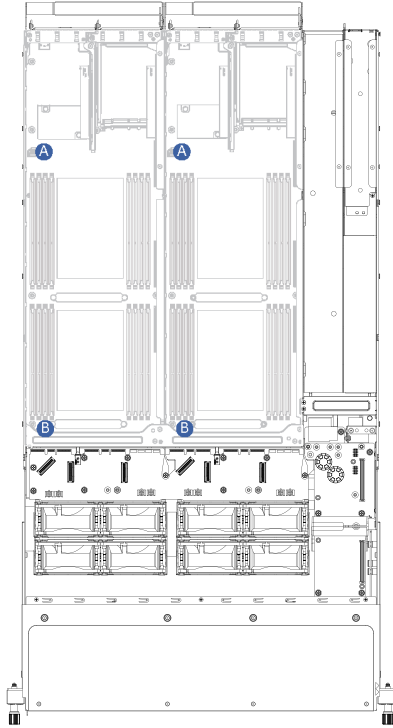
| | | |
|---|---|-----------------------|
| A | Top Middle Board to HDD Back Plane Board Cable (SATA1) | Middle Board: N1_SATA |
| | | F/ HDD Board: N1 SATA |
| B | Top Middle Board to HDD Back Plane Board Cable (SATA3) | Middle Board: N3_SATA |
| | | F/ HDD Board: N3 SATA |
| C | Bottom Middle Board to HDD Back Plane Board Cable (SATA2) | Middle Board: N2_SATA |
| | | F/ HDD Board: N2 SATA |
| D | Bottom Middle Board to HDD Back Plane Board Cable (SATA4) | Middle Board: N4_SATA |
| | | F/ HDD Board: N4 SATA |



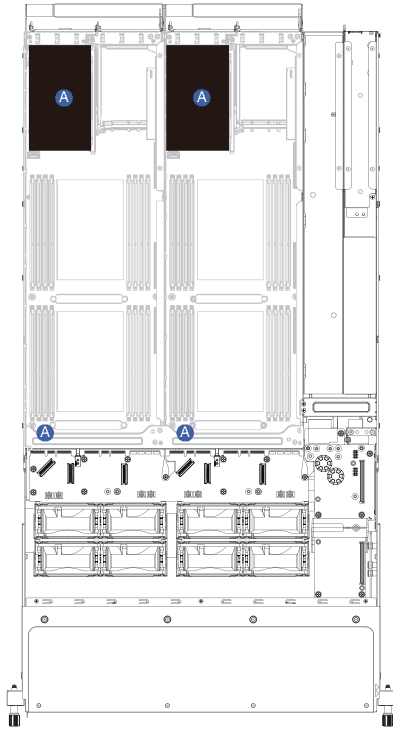
| | | |
|---|---|------------------------|
| A | Top Middle Board to HDD Back Plane Board Cable (NVMe/Node1) | Middle Board: N1_U2_B |
| | | F/ HDD Board: N1 U.2 A |
| B | Top Middle Board to HDD Back Plane Board Cable (NVMe/Node1) | Middle Board: N1_U2_A |
| | | F/ HDD Board: N1 U.2 B |
| C | Top Middle Board to HDD Back Plane Board Cable (NVMe/Node3) | Middle Board: N3_U2_B |
| | | F/ HDD Board: N3 U.2 A |
| D | Top Middle Board to HDD Back Plane Board Cable (NVMe/Node3) | Middle Board: N3_U2_A |
| | | F/ HDD Board: N3 U.2 B |



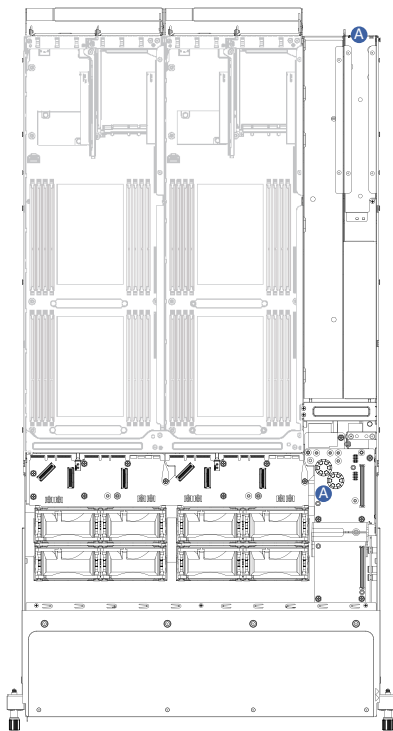
| | | |
|---|--|------------------------|
| E | Bottom Middle Board to HDD Back Plane Board Cable (NVMe/Node2) | Middle Board: N2_U2_B |
| | | F/ HDD Board: N2_U.2 A |
| F | Bottom Middle Board to HDD Back Plane Board Cable (NVMe/Node2) | Middle Board: N1_U2_A |
| | | F/ HDD Board: N2_U.2 B |
| G | Bottom Middle Board to HDD Back Plane Board Cable (NVMe/Node4) | Middle Board: N4_U2_B |
| | | F/ HDD Board: N4_U.2 A |
| H | Bottom Middle Board to HDD Back Plane Board Cable (NVMe/Node4) | Middle Board: N1_U2_A |
| | | F/ HDD Board: N4_U.2 B |



| | | |
|---|---------------------|------------------------|
| A | On board SATA Cable | Motherboard: SL4_SATA0 |
| B | | Motherboard: SL4_SATA1 |



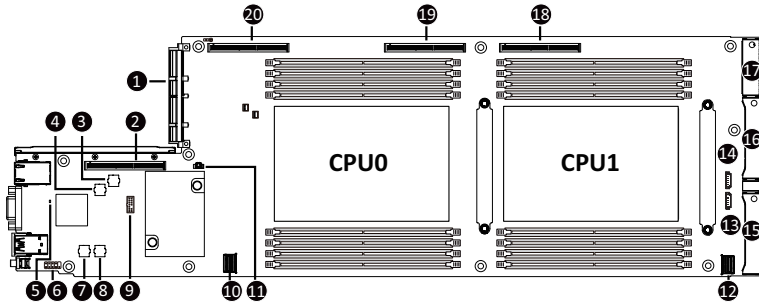
| | | |
|---|---------------------|------------------------|
| A | SAS RAID Card Cable | Motherboard: SL4_SATA1 |
| | | RAID Card |



| | | |
|---|-----------------------|--------------------------|
| A | Rera LAN Module Cable | PDB Board: R_MLAN |
| | | LAN Module Board: F_MLAN |

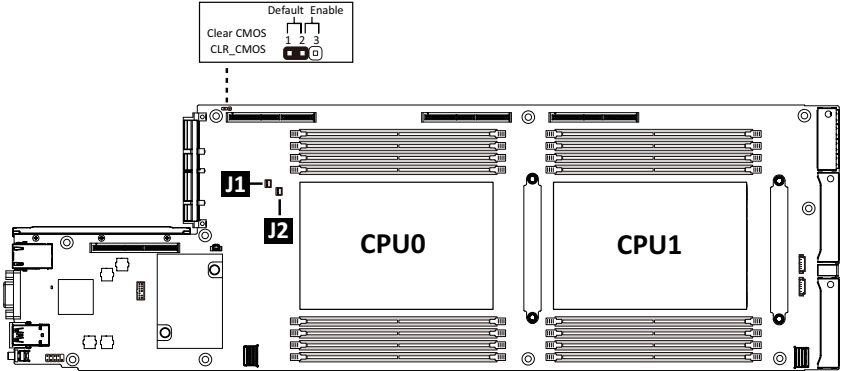
Chapter 4 Motherboard Components

4-1 Motherboard Components



| Item | Description |
|------|---|
| 1 | OCP 3.0 Connector (PCIe Gen5 x16) |
| 2 | Proprietary PCIe Slot (Gen 5/ x16 slot/ GENZ_2) |
| 3 | BIOS Flash ROM #2 |
| 4 | BIOS Flash ROM #1 |
| 5 | BMC Readiness LED |
| 6 | Serial Port Cable Connector |
| 7 | BMC Flash ROM #1 |
| 8 | BMC Flash ROM #2 |
| 9 | TPM Module Connector |
| 10 | SlimLine SAS Connector (SL4_SATA0/SATA Signal) |
| 11 | System Battery Cable Connector |
| 12 | SlimLine SAS Connector (SL4_SATA1/SATA Signal) |
| 13 | SGPIO Connector (SGPA1) |
| 14 | SGPIO Connector (SGPB1) |
| 15 | PCIe/SATA Connector |
| 16 | PCIe Connector |
| 17 | Powe Connector |
| 18 | Proprietary PCIe Slot (Gen 5/ x16 slot/ GENZ_3) |
| 19 | Proprietary PCIe Slot (Gen 5/ x16 slot/ GENZ_3) |
| 20 | Proprietary PCIe Slot (Gen 5/ x16 slot/ GENZ_1) |

4-2 Jumper Setting

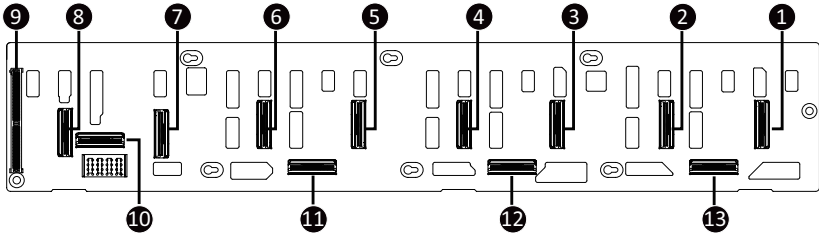


| J1 | | ON | OFF |
|----|----------|---|------------------|
| 1 | HSMB_SEL | BIOS defined | |
| 2 | SPD_SEL | BIOS defined | |
| 3 | S3_MASK | Stop initial power on when BMC is not ready | Normal [Default] |
| 4 | DP_PLD | CPLD debug mode | Normal [Default] |

| J2 | | ON | OFF |
|----|-----------|---------------------------|------------------|
| 1 | ME_UPDATE | Force ME update | Normal [Default] |
| 2 | BIOS_PWD | Clear supervisor password | Normal [Default] |
| 3 | BIOS_RCVR | BIOS recovery mode | Normal [Default] |
| 4 | ME_RCVR | ME recovery mode | Normal [Default] |

4-3 Backplane Board Storage Connector

4-3-1 CBPH008



| Item | Description |
|------|---|
| 1 | MCIO 8i (SFF-TA1016/N1 U.2 A) |
| 2 | MCIO 8i (SFF-TA1016/N1 U.2 B) |
| 3 | MCIO 8i (SFF-TA1016/N2 U.2 A) |
| 4 | MCIO 8i (SFF-TA1016/N2 U.2 B) |
| 5 | MCIO 8i (SFF-TA1016/N3 U.2 A) |
| 6 | MCIO 8i (SFF-TA1016/N3 U.2 B) |
| 7 | MCIO 8i (SFF-TA1016/N4 U.2 A) |
| 8 | MCIO 8i (SFF-TA1016/N4 U.2 B) |
| 9 | Proprietary PCIe Slot (x8 slot/ GF_HDD) |
| 10 | MCIO 8i (SFF-TA1016/N4 SATA) |
| 11 | MCIO 8i (SFF-TA1016/N3 SATA) |
| 12 | MCIO 8i (SFF-TA1016/N2 SATA) |
| 13 | MCIO 8i (SFF-TA1016/N1 SATA) |

Chapter 5 BIOS Setup

BIOS (Basic Input and Output System) records hardware parameters of the system in the EFI on the motherboard. Its major functions include conducting the Power-On Self-Test (POST) during system startup, saving system parameters, loading the operating system etc. The BIOS includes a BIOS Setup program that allows the user to modify basic system configuration settings or to activate certain system features. When the power is turned off, the battery on the motherboard supplies the necessary power to the CMOS to keep the configuration values in the CMOS.

To access the BIOS Setup program, press the key during the POST when the power is turned on.



- BIOS flashing is potentially risky, if you do not encounter any problems when using the current BIOS version, it is recommended that you don't flash the BIOS. To flash the BIOS, do it with caution. Inadequate BIOS flashing may result in system malfunction.
- It is recommended that you not alter the default settings (unless you need to) to prevent system instability or other unexpected results. Inadequately altering the settings may result in system's failure to boot. If this occurs, try to clear the CMOS values and reset the board to default values. (Refer to the **Exit** section in this chapter or introductions of the battery/clearing CMOS jumper in Chapter 4 for how to clear the CMOS values.)

BIOS Setup Program Function Keys

| | |
|----------|--|
| <<-><->> | Move the selection bar to select the screen |
| <↑><↓> | Move the selection bar to select an item |
| <+> | Increase the numeric value or make changes |
| <-> | Decrease the numeric value or make changes |
| <Enter> | Execute command or enter the submenu |
| <Esc> | Main Menu: Exit the BIOS Setup program Submenus: Exit current submenu |
| <F1> | Show descriptions of general help |
| <F3> | Restore the previous BIOS settings for the current submenus |
| <F9> | Load the Optimized BIOS default settings for the current submenus |
| <F10> | Save all the changes and exit the BIOS Setup program |

■ **Main**

This setup page includes all the items of the standard compatible BIOS.

■ **Advanced**

This setup page includes all the items of AMI BIOS special enhanced features.

(ex: Auto detect fan and temperature status, automatically configure hard disk parameters.)

■ **Chipset**

This setup page includes all the submenu options for configuring the functions of the Platform Controller Hub.

■ **Server Management**

Server additional features enabled/disabled setup menus.

■ **Security**

Change, set, or disable supervisor and user password. Configuration supervisor password allows you to restrict access to the system and BIOS Setup.

A supervisor password allows you to make changes in BIOS Setup.

A user password only allows you to view the BIOS settings but not to make changes.

■ **Boot**

This setup page provides items for configuration of the boot sequence.

■ **Save & Exit**

Save all the changes made in the BIOS Setup program to the CMOS and exit BIOS Setup. (Pressing <F10> can also carry out this task.)

Abandon all changes and the previous settings remain in effect. Pressing <Y> to the confirmation message will exit BIOS Setup. (Pressing <Esc> can also carry out this task.)

5-1 The Main Menu

Once you enter the BIOS Setup program, the Main Menu (as shown below) appears on the screen. Use arrow keys to move among the items and press <Enter> to accept or enter other sub-menu.

Main Menu Help

The on-screen description of a highlighted setup option is displayed on the bottom line of the Main Menu.

Submenu Help

While in a submenu, press <F1> to display a help screen (General Help) of function keys available for the menu. Press <Esc> to exit the help screen. Help for each item is in the Item Help block on the right side of the submenu.



- When the system is not stable as usual, select the **Restore Defaults** item to set your system to its defaults.
- The BIOS Setup menus described in this chapter are for reference only and may differ by BIOS version.

| Aptio Setup - AMI | |
|---|----------------------------|
| Main Advanced Chipset Server Mgmt Security Boot Save & Exit | |
| BIOS Information | |
| Project Name | MS63-HD1-000 |
| Project Version | F06 |
| Build Date and Time | 11/18/2022 16:29:55 |
| BMC Information | |
| BMC Firmware Version | 13.04.02 |
| Processor Information | |
| CPU 0 Brand String | Intel(R) Xeon(R) Gold 6430 |
| CPU 1 Brand String | Intel(R) Xeon(R) Gold 6430 |
| Max CPU Speed | 2100 MHz |
| CPU Signature | 806F8 |
| Processor Core | 64 |
| Microcode Patch | 280000C0 |
| Platform Information | |
| Processor | SPR E5 |
| PCH | EBG - B1 |
| RC Revision | 91.005 |
| Memory Information | |
| Total Memory | 32768 MB |
| Usable Memory | 32768 MB |
| Memory Frequency | 4400 MHz |

Version 2.22.1287 Copyright (C) 2022 AMI



| Parameter | Description |
|--|---|
| BIOS Information | |
| Project Name | Displays the project name information. |
| Project Version | Displays version number of the BIOS setup utility. |
| Build Date and Time | Displays the date and time when the BIOS setup utility was created. |
| BMC Information ^(Note1) | |
| BMC Firmware Version ^(Note1) | Displays BMC firmware version information. |
| Processor Information | |
| CPU Brand String/ Max CPU Speed / CPU Signature / Processor Core / Microcode Patch | Displays the technical information for the installed processor(s). |
| Platform Information | |
| Processor/ PCH/ RC Revision | Displays the information of the installed processor(s) and PCH. |
| Memory Information ^(Note2) | |
| Total Memory | Displays the total memory size of the installed memory. |
| Usable Memory | Displays the usable memory size of the installed memory. |

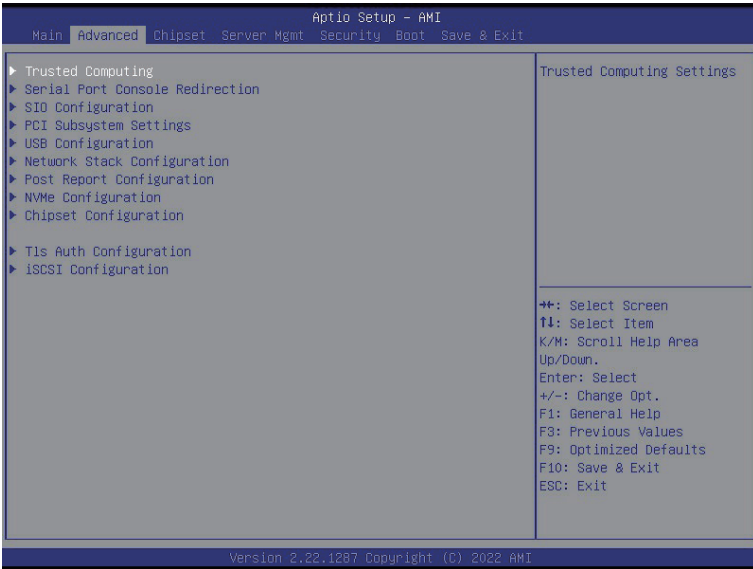
(Note1) Functions available on selected models.

(Note2) This section will display capacity and frequency information of the memory that the customer has installed.

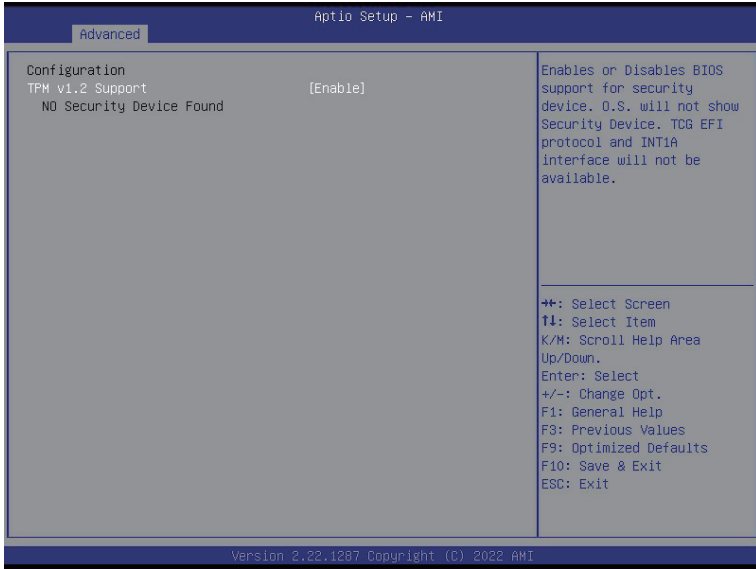
| Parameter | Description |
|------------------|---|
| Memory Frequency | Displays the frequency information of the installed memory. |
| System Date | Sets the date following the weekday-month-day-year format. |
| System Time | Sets the system time following the hour-minute-second format. |

5-2 Advanced Menu

The Advanced Menu displays submenu options for configuring the function of various hardware components. Select a submenu item, then press <Enter> to access the related submenu screen.

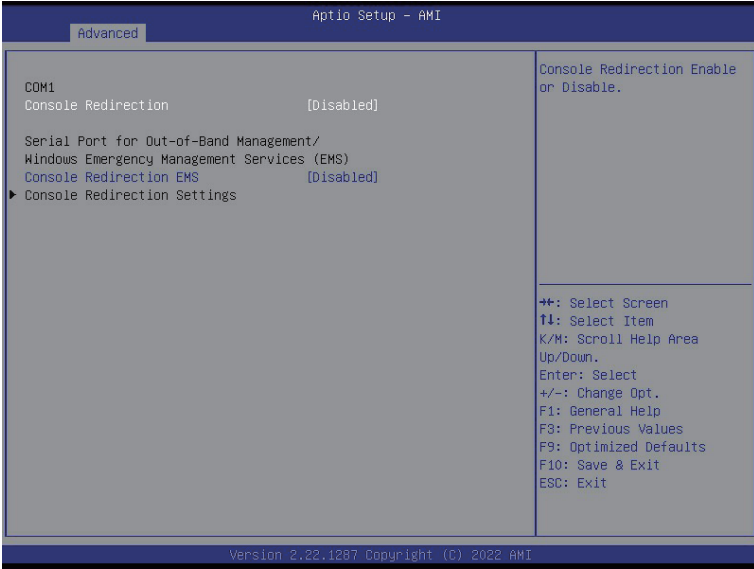


5-2-1 Trusted Computing



| Parameter | Description |
|------------------|--|
| Configuration | |
| TPM v1.2 Support | <p>Enable/Disable BIOS support for security device. OS will not show security device. TCG EFI protocol and INT1A interface will not be available.</p> <p>Options available: Disable, Enable. Default setting is Enable.</p> |

5-2-2 Serial Port Console Redirection



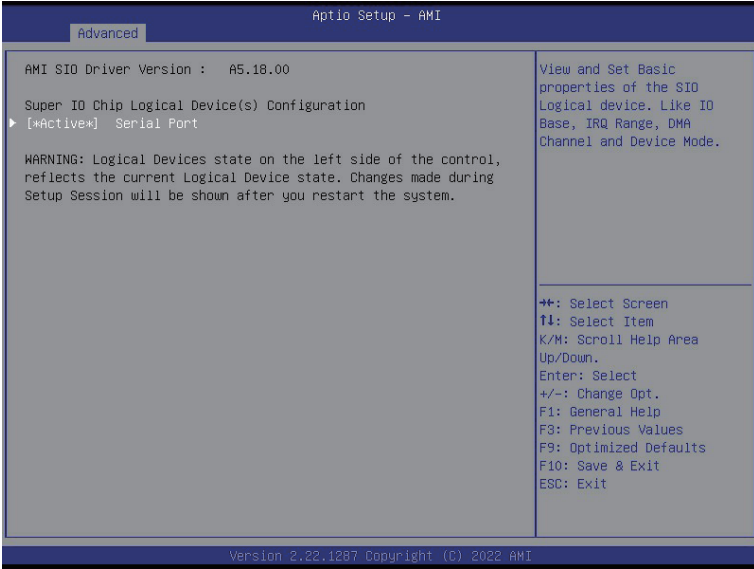
| Parameter | Description |
|--|---|
| COM1 Console Redirection ^(Note) | <p>Console redirection enables the users to manage the system from a remote location.</p> <p>Options available: Enabled, Disabled. Default setting is Disabled.</p> |
| COM1 Console Redirection Settings | <p>Press [Enter] to configure advanced items.</p> <p>Please note that this item is configurable when COM1 Console Redirection is set to Enabled.</p> <ul style="list-style-type: none"> ◆ Terminal Type <ul style="list-style-type: none"> – Selects a terminal type to be used for console redirection. – Options available: VT100, VT100PLUS, VT-UTF8, ANSI. Default setting is VT100PLUS. ◆ Bits per second <ul style="list-style-type: none"> – Selects the transfer rate for console redirection. – Options available: 9600, 19200, 38400, 57600, 115200. Default setting is 115200. ◆ Data Bits <ul style="list-style-type: none"> – Selects the number of data bits used for console redirection. – Options available: 7, 8. Default setting is 8. |

(Note) Advanced items prompt when this item is defined.

| Parameter | Description |
|---|---|
| COM1 Console Redirection Settings (continued) | <ul style="list-style-type: none"> ◆ Parity <ul style="list-style-type: none"> – A parity bit can be sent with the data bits to detect some transmission errors. – Even: parity bit is 0 if the num of 1's in the data bits is even. – Odd: parity bit is 0 if num of 1's in the data bits is odd. – Mark: parity bit is always 1. Space: Parity bit is always 0. – Mark and Space Parity do not allow for error detection. – Options available: None, Even, Odd, Mark, Space. Default setting is None. ◆ Stop Bits <ul style="list-style-type: none"> – Stop bits indicate the end of a serial data packet. (A start bit indicates the beginning). The standard setting is 1 stop bit. Communication with slow devices may require more than 1 stop bit. – Options available: 1, 2. Default setting is 1. ◆ Flow Control <ul style="list-style-type: none"> – Flow control can prevent data loss from buffer overflow. When sending data, if the receiving buffers are full, a 'stop' signal can be sent to stop the data flow. Once the buffers are empty, a 'start' signal can be sent to re-start the flow. Hardware flow control uses two wires to send start/stop signals. – Options available: None, Hardware RTS/CTS. Default setting is None. ◆ VT-UTF8 Combo Key Support <ul style="list-style-type: none"> – Enable/Disable the VT-UTF8 Combo Key Support. – Options available: Enabled, Disabled. Default setting is Enabled. ◆ Recorder Mode <ul style="list-style-type: none"> – When this mode enabled, only texts will be send. This is to capture Terminal data. – Options available: Enabled, Disabled. Default setting is Disabled. ◆ Resolution 100x31 <ul style="list-style-type: none"> – Enable/Disable extended terminal resolution. – Options available: Enabled, Disabled. Default setting is Enabled. ◆ Putty Keypad <ul style="list-style-type: none"> – Selects Function Key and Keypad on Putty. – Options available: VT100, LINUX, XTERMR6, SC0, ESCN, VT400. Default setting is VT100. |

| Parameter | Description |
|--|--|
| Serial Port for Out-of-Band Management / Windows Emergency Management Services (EMS) Console Redirection ^(Note) | <p>EMS console redirection allows the user to configure Console Redirection Settings to support Out-of-Band Serial Port management.</p> <p>Options available: Enabled, Disabled. Default setting is Disabled.</p> |
| Serial Port for Out-of-Band EMS Console Redirection Settings | <p>Press [Enter] to configure advanced items.</p> <p>Please note that this item is configurable when Serial Port for Out-of-Band Management EMS Console Redirection is set to Enabled.</p> <ul style="list-style-type: none"> ◆ Out-of-Band Mgmt Port <ul style="list-style-type: none"> – Microsoft Windows Emergency Management Service (EMS) allows for remote management of a Windows Server OS through a serial port. – Default setting is COM1. ◆ Terminal Type EMS <ul style="list-style-type: none"> – Selects a terminal type to be used for console redirection. – Options available: VT100, VT100PLUS, VT-UTF8, ANSI. Default setting is VT100PLUS. ◆ Bits per second EMS <ul style="list-style-type: none"> – Selects the transfer rate for console redirection. – Options available: 9600, 19200, 57600, 115200. Default setting is 115200. ◆ Flow Control EMS <ul style="list-style-type: none"> – Flow control can prevent data loss from buffer overflow. When sending data, if the receiving buffers are full, a 'stop' signal can be sent to stop the data flow. Once the buffers are empty, a 'start' signal can be sent to re-start the flow. Hardware flow control uses two wires to send start/stop signals. – Options available: None, Hardware RTS/CTS, Software Xon/Xoff. Default setting is None. |

5-2-3 SIO Configuration



| Parameter | Description |
|---|---|
| AMI SIO Driver Version | Displays the AMI SIO driver version information. |
| Super IO Chip Logical Device(s) Configuration | |
| | Press [Enter] to configure advanced items. |
| | <ul style="list-style-type: none"> ◆ Use This Device <ul style="list-style-type: none"> – When set to Enabled allows you to configure the serial port settings. When set to Disabled, displays no configuration for the serial port. – Options available: Enabled, Disabled. Default setting is Enabled. ◆ Logical Device Settings/Current: <ul style="list-style-type: none"> – Displays the serial port base I/O address and IRQ. ◆ Possible: <ul style="list-style-type: none"> – Configures the serial port base I/O address and IRQ. <ul style="list-style-type: none"> Use Automatic Settings IO=3F8h; IRQ=4; DMA; IO=3F8h; IRQ=4; DMA; IO=2F8h; IRQ=4; DMA; IO=3E8h; IRQ=4; DMA; IO=2E8h; IRQ=4; DMA; Default setting is Use Automatic Settings. |
| [*Active*] Serial Port | |

5-2-4 PCI Subsystem Settings

Aptio Setup - AMI

Advanced

| | | |
|------------------------------|-----------|--|
| PCI Bus Driver Version | A5.01.29 | Enable/Disable SLOT1_OCP3 I/O ROM ++: Select Screen ↑↓: Select Item K/M: Scroll Help Area Up/Down. Enter: Select +/-: Change Opt. F1: General Help F3: Previous Values F9: Optimized Defaults F10: Save & Exit ESC: Exit |
| SLOT1_OCP3 I/O ROM | [Enabled] | |
| SLOT1_OCP3 Lanes | [Auto] | |
| SLOT1_OCP3 Max Link Speed | [Auto] | |
| SLOT2_G2_2 I/O ROM | [Enabled] | |
| SLOT2_G2_2 Lanes | [Auto] | |
| SLOT2_G2_2 Max Link Speed | [Auto] | |
| SLOT3_G2_1 I/O ROM | [Enabled] | |
| SLOT3_G2_1 Lanes | [Auto] | |
| SLOT3_G2_1 Max Link Speed | [Auto] | |
| GEN2_3 I/O ROM | [Enabled] | |
| GEN2_3 Lanes | [Auto] | |
| GEN2_3 Max Link Speed | [Auto] | |
| GEN2_4 I/O ROM | [Enabled] | |
| GEN2_4 Lanes | [Auto] | |
| GEN2_4 Max Link Speed | [Auto] | |
| PCI Devices Common Settings: | | |
| Above 4G Decoding | [Enabled] | |
| SR-IOV Support | [Enabled] | |

Version 2.22.1287 Copyright (C) 2022 AMI

Aptio Setup - AMI

Advanced

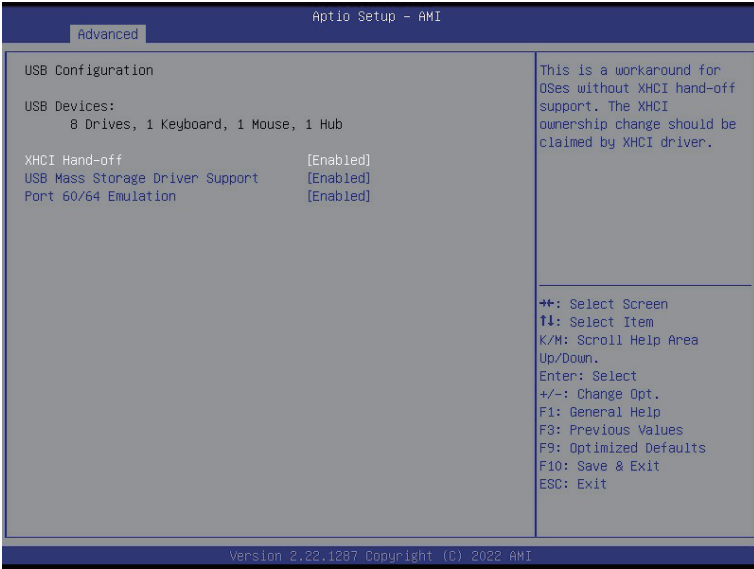
| | | |
|------------------------------|-----------|--|
| SLOT1_OCP3 Lanes | [Auto] | If system has SR-IOV capable PCIe Devices, this option Enables or Disables Single Root IO Virtualization Support. ++: Select Screen ↑↓: Select Item K/M: Scroll Help Area Up/Down. Enter: Select +/-: Change Opt. F1: General Help F3: Previous Values F9: Optimized Defaults F10: Save & Exit ESC: Exit |
| SLOT1_OCP3 Max Link Speed | [Auto] | |
| SLOT2_G2_2 I/O ROM | [Enabled] | |
| SLOT2_G2_2 Lanes | [Auto] | |
| SLOT2_G2_2 Max Link Speed | [Auto] | |
| SLOT3_G2_1 I/O ROM | [Enabled] | |
| SLOT3_G2_1 Lanes | [Auto] | |
| SLOT3_G2_1 Max Link Speed | [Auto] | |
| GEN2_3 I/O ROM | [Enabled] | |
| GEN2_3 Lanes | [Auto] | |
| GEN2_3 Max Link Speed | [Auto] | |
| GEN2_4 I/O ROM | [Enabled] | |
| GEN2_4 Lanes | [Auto] | |
| GEN2_4 Max Link Speed | [Auto] | |
| PCI Devices Common Settings: | | |
| Above 4G Decoding | [Enabled] | |
| SR-IOV Support | [Enabled] | |

Version 2.22.1287 Copyright (C) 2022 AMI

| Parameter | Description |
|---|---|
| PCI Bus Driver Version | Displays the PCI Bus Driver version information. |
| SLOT1_OCP3 SLOT2_GZ_2 SLOT3_GZ_1 GENZ_3_ GENZ_4 I/O ROM ^(Note1) | When enabled, this setting will initialize the device expansion ROM for the related PCIe/OCP slot. Options available: Enabled, Disabled. Default setting is Enabled . |
| SLOT1_OCP3 SLOT2_GZ_2 SLOT3_GZ_1 GENZ_3 GENZ_4 Lanes ^(Note1) | Change the PCIe/OCP lanes. Default setting is Auto . |
| SLOT1_OCP3 SLOT2_GZ_2 SLOT3_GZ_1 GENZ_3 GENZ_4 Max Link Speed ^(Note1) | Configure PCIe max link speed. Options available: Auto, Gen1, Gen2, Gen3, Gen4, Gen5. Default setting is Auto . |
| PCI Devices Common Settings | |
| Above 4G Decoding | Enable/Disable memory mapped I/O to 4GB or greater address space (Above 4G Decoding). Options available: Enabled, Disabled. Default setting is Enabled . |
| SR-IOV Support | If the system has SR-IOV capable PCIe devices, this item Enable/Disable Single Root IO Virtualization Support. Options available: Enabled, Disabled. Default setting is Enabled . |

(Note1) This section is dependent on the available PCIe/OCP Slot.

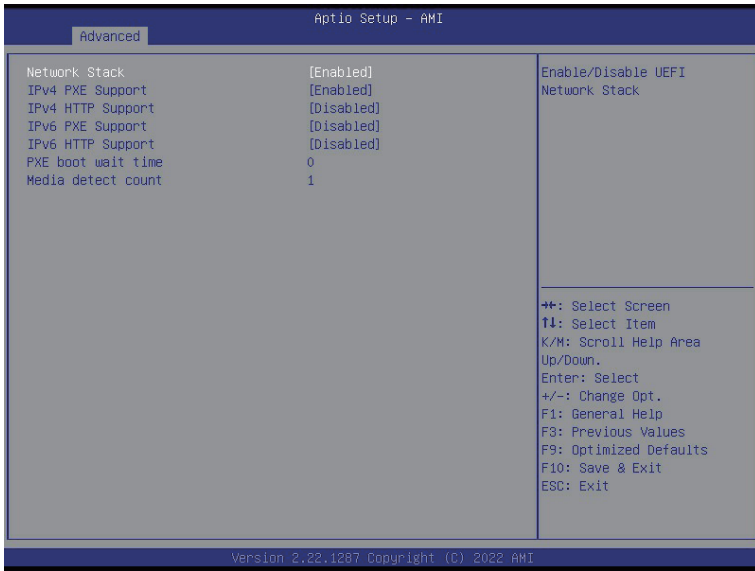
5-2-5 USB Configuration



| Parameter | Description |
|---|--|
| USB Configuration | |
| USB Devices: | Displays the USB devices connected to the system. |
| XHCI Hand-off | Enable/Disable the XHCI (USB 3.0) Hand-off support. Options available: Enabled, Disabled. Default setting is Enabled . |
| USB Mass Storage Driver Support ^(Note) | Enable/Disable the USB Mass Storage Driver Support. Options available: Enabled, Disabled. Default setting is Enabled . |
| Port 60/64 Emulation | Enables the I/O port 60h/64h emulation support. This should be enabled for the complete USB Keyboard Legacy support for non-USB aware OSes. Options available: Enabled, Disabled. Default setting is Enabled . |

(Note) This item is present only if you attach USB devices.

5-2-6 Network Stack Configuration



| Parameter | Description |
|--------------------|--|
| Network Stack | Enable/Disable the UEFI network stack. Options available: Enabled, Disabled. Default setting is Enabled . |
| Ipv4 PXE Support | Enable/Disable the Ipv4 PXE feature. Options available: Enabled, Disabled. Default setting is Enabled . |
| Ipv4 HTTP Support | Enable/Disable the Ipv4 HTTP feature. Options available: Enabled, Disabled. Default setting is Disabled . |
| Ipv6 PXE Support | Enable/Disable the Ipv6 PXE feature. Options available: Enabled, Disabled. Default setting is Disabled . |
| Ipv6 HTTP Support | Enable/Disable the Ipv6 HTTP feature. Options available: Enabled, Disabled. Default setting is Disabled . |
| PXE boot wait time | Wait time in seconds to press ESC key to abort the PXE boot. Press the <+> / <-> keys to increase or decrease the desired values. |
| Media detect count | Number of times the presence of media will be checked. Press the <+> / <-> keys to increase or decrease the desired values. |

5-2-7 Post Report Configuration



| Parameter | Description |
|---------------------------|---|
| Post Report Configuration | |
| Error Message Report | |
| Post Error Message | Enable/Disable the POST Error Message support. Options available: Enabled, Disabled. Default setting is Enabled . |
| Halt On | Options available: No Error, All Error. Default setting is No Error . |

5-2-8 NVMe Configuration



| Parameter | Description |
|--------------------|--|
| NVMe Configuration | Displays the NVMe devices connected to the system. |
| NVMe OPROM Select | Options available: BIOS Build-In, NVMe Device. Default setting is BIOS Build-In . |

5-2-9 Chipset Configuration



| Parameter | Description |
|--|---|
| Restore on AC Power Loss ^(Note) | Defines the power state to resume to after a system shutdown that is due to an interruption in AC power. When set to Last State, the system will return to the active power state prior to shutdown. When set to Power Off, the system remains off after power shutdown. Options available: Last State, Power Off, Power On, Unspecified. The default setting depends on the BMC setting. |
| P2P Bridge IO Size | Specifies P2P Bridge IO aligned to the size. Options available: 0x100, 0x150, 0x1000. Default setting is 0x1000 . |
| SATA HDD Security Frozen | Enable/Disable this item to send freeze lock command to SATA HDD. Options available: Enabled, Disabled. Default setting is Enabled . |
| NVMe SSD Security Frozen | Attempt to send freeze lock command to NVMe SSDs during boot. Options available: Enabled, Disabled. Default setting is Enabled . |
| Chassis Opened Warning | Enable/Disable the chassis intrusion alert function. Options available: Enabled, Disabled, Clear. Default setting is Disabled . |

(Note) When the power policy is controlled by BMC, please wait for 15-20 seconds for BMC to save the last power state.

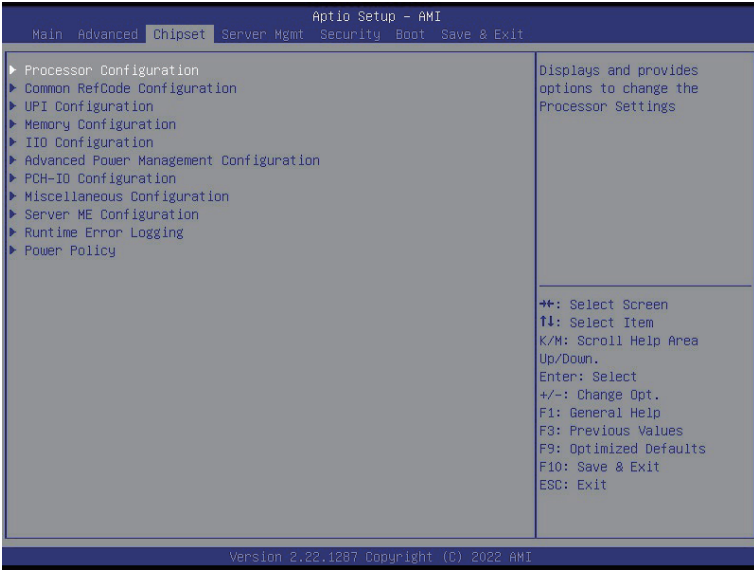
5-2-10 Tls Auth Configuration



| Parameter | Description |
|---------------------------|---|
| Server CA Configuration | <p>Press [Enter] for configuration of advanced items.</p> <ul style="list-style-type: none"> ◆ Enroll Cert <ul style="list-style-type: none"> – Press [Enter] to enroll a certificate <ul style="list-style-type: none"> • Enroll Cert Using File • Cert GUID <ul style="list-style-type: none"> Input digit character in 1111111-2222-3333-4444-1234567890ab format. – Commit Changes and Exit – Discard Changes and Exit ◆ Delete Cert |
| Client Cert Configuration | Press [Enter] for configuration of advanced items. |

5-3 Chipset Menu

Chipset Setup menu displays submenu options for configuring the function of Platform Controller Hub(PCH). Select a submenu item, then press <Enter> to access the related submenu screen.



5-3-1 Processor Configuration

Aptio Setup - AMI

Chipset

| Processor Configuration | | Change Per-Socket Settings |
|----------------------------|----------------------------|----------------------------|
| ▶ Per-Socket Configuration | | |
| Processor Socket | Socket 0 Socket 1 | |
| Processor ID | 000806FB* 000806FB | |
| Processor Die Type | XCC XCC | |
| Processor Frequency | 2.100GHz 2.100GHz | |
| Processor Max Ratio | 15H 15H | |
| Processor Min Ratio | 08H 08H | |
| Microcode Revision | 2B0000C0 2B0000C0 | |
| L1 Cache RAM(Per Core) | 80KB 80KB | |
| L2 Cache RAM(Per Core) | 2048KB 2048KB | |
| L3 Cache RAM(Per Package) | 61440KB 61440KB | |
| Processor 0 Version | Intel(R) Xeon(R) Gold 6430 | |
| Processor 1 Version | Intel(R) Xeon(R) Gold 6430 | |
| Enable LP [Global] | [ALL LPs] | |
| Hardware Prefetcher | [Enable] | |
| L2 RFO Prefetch Disable | [Disable] | |
| Adjacent Cache Prefetch | [Enable] | |
| DCU Streamer Prefetcher | [Enable] | |
| DCU IP Prefetcher | [Enable] | |
| Extended APIC | [Enable] | |

++: Select Screen
 ↑↓: Select Item
 K/M: Scroll Help Area
 Up/Down.
 Enter: Select
 +/-: Change Opt.
 F1: General Help
 F8: Previous Values
 F9: Optimized Defaults
 F10: Save & Exit
 ESC: Exit

Version 2.22.1287 Copyright (C) 2022 AMI

Aptio Setup - AMI

Chipset

| | | |
|--|----------------------------|---|
| Processor 0 Version | Intel(R) Xeon(R) Gold 6430 | ▶ Displays and provides option to change the Processor CFR Settings |
| Processor 1 Version | Intel(R) Xeon(R) Gold 6430 | |
| Enable LP [Global] | [ALL LPs] | |
| Hardware Prefetcher | [Enable] | |
| L2 RFO Prefetch Disable | [Disable] | |
| Adjacent Cache Prefetch | [Enable] | |
| DCU Streamer Prefetcher | [Enable] | |
| DCU IP Prefetcher | [Enable] | |
| Extended APIC | [Enable] | |
| Enable Intel(R) TXT | [Disable] | |
| VMX | [Enable] | |
| Enable SMX | [Disable] | |
| AES-NI | [Enable] | |
| Debug Consent | [Disable] | |
| ----- | | |
| TME, TME-MT, TDX | | |
| Memory Encryption (TME) | [Disabled] | |
| SGX setup configuration preconditions for enabling were NOT met. Please check TME, MirrorMode or Extended APIC settings. | | |
| ----- | | |
| ▶ Processor CFR Configuration | | |

++: Select Screen
 ↑↓: Select Item
 K/M: Scroll Help Area
 Up/Down.
 Enter: Select
 +/-: Change Opt.
 F1: General Help
 F3: Previous Values
 F9: Optimized Defaults
 F10: Save & Exit
 ESC: Exit

Version 2.22.1287 Copyright (C) 2022 AMI

| Parameter | Description |
|---|--|
| Processor Configuration | |
| Pre-Socket Configuration | <p>Press [Enter] to configure advanced items.</p> <ul style="list-style-type: none"> ◆ CPU Socket 0 Configuration <ul style="list-style-type: none"> – Core Disable Bitmap(Hex) <ul style="list-style-type: none"> • Number of Cores to enable. 0 means all cores. FFFFFFFF means to disable all cores. The maximum value depends on the number of CPUs available. Press the numeric keys to adjust desired values. |
| Processor Socket / Processor ID / Processor Die Type / Processor Frequency / Processor Max Ratio / Processor Min Ratio / Microcode Revision / L1 Cache RAM(Per Core) / L2 Cache RAM(Per Core) / L3 Cache RAM(Per Package) / Processor # Version | Displays the technical specifications for the installed processor(s). |
| Enable LP [Global] | <p>Enables Logical processor (Software Method to Enable/Disable Logical Processor threads).</p> <p>Options available: ALL LPs, Single LP. Default setting is ALL LPs.</p> |
| Hardware Prefetcher | <p>Select whether to enable the speculative prefetch unit of the processor.</p> <p>Options available: Enable, Disable. Default setting is Enable.</p> |
| L2 RF0 Prefetch Disable | Options available: Enable, Disable. Default setting is Disable . |
| Adjacent Cache Prefetch | <p>When enabled, cache lines are fetched in pairs. When disabled, only the required cache line is fetched.</p> <p>Options available: Enable, Disable. Default setting is Enable.</p> |
| DCU Streamer Prefetcher | <p>Enable/Disable DCU streamer prefetcher.</p> <p>Options available: Enable, Disable. Default setting is Enable.</p> |
| DCU IP Prefetcher | <p>Enable/Disable DCU IP Prefetcher.</p> <p>Options available: Enable, Disable. Default setting is Enable.</p> |
| Extended APIC | <p>Enable/Disable extended APIC support. Note: The VT-d will be enabled automatically when x2APIC is enabled.</p> <p>Options available: Enable, Disable. Default setting is Enable.</p> |
| Enable Intel(R) TXT | <p>Enable/Disable the Intel Trusted Execution Technology support function.</p> <p>Options available: Enable, Disable. Default setting is Disable.</p> |
| VMX | <p>Enable/Disable the Vanderpool Technology. This will take effect after rebooting the system.</p> <p>Options available: Enable, Disable. Default setting is Enable.</p> |
| Enable SMX | <p>Enable/Disable the Safer Mode Extensions (SMX) support function.</p> <p>Options available: Enable, Disable. Default setting is Disable.</p> |
| AES-NI | <p>Enable/Disable the AES-NI support.</p> <p>Options available: Enable, Disable. Default setting is Enable.</p> |
| Debug Consent | Options available: Enable, Disable. Default setting is Disable . |

| Parameter | Description |
|---|--|
| Memory Encryption (TME) ^(Note) | Enable/Disable memory encryption (TME). Options available: Enabled, Disabled. Default setting is Disabled . |
| Total Memory Encryption Multi-Tenant (TME-MT) | Options available: Enabled, Disabled. Default setting is Disabled . |
| Processor CFR Configuration | <p>Press [Enter] to configure advanced items.</p> <ul style="list-style-type: none"> ◆ Provision S3M CFR <ul style="list-style-type: none"> – Options available: Disable, Enable. Default setting is Enable. ◆ Manual Commit S3M FW CFR <ul style="list-style-type: none"> – Options available: Disable, Enable, Auto. Default setting is Auto. ◆ Provision PUcode CFR <ul style="list-style-type: none"> – Options available: Disable, Enable. Default setting is Enable. ◆ Manual Commit PUcode CFR <ul style="list-style-type: none"> – Options available: Enable, Disable. Default setting is Enable. ◆ Socket0 CFR Revision Info <ul style="list-style-type: none"> – Displays CFR Revision information of the socket. |

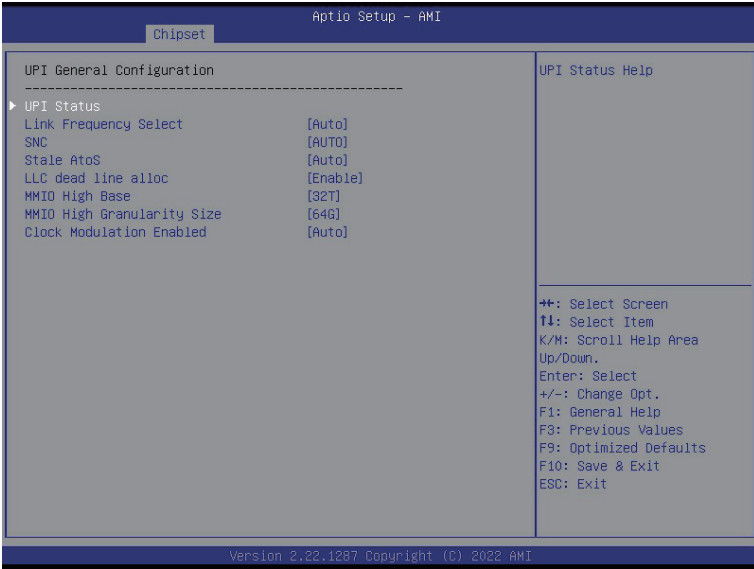
(Note) Advanced items prompt when this item is defined.

5-3-2 Common RefCode Configuration



| Parameter | Description |
|------------------------------|--|
| Common RefCode Configuration | |
| Virtual Numa | Divide physical NUMA nodes into evenly sized virtual NUMA nodes in ACPI table. This may improve Windows performance on CPUs with more than 64 logical processors. Options available: Enable, Disable. Default setting is Disable . |

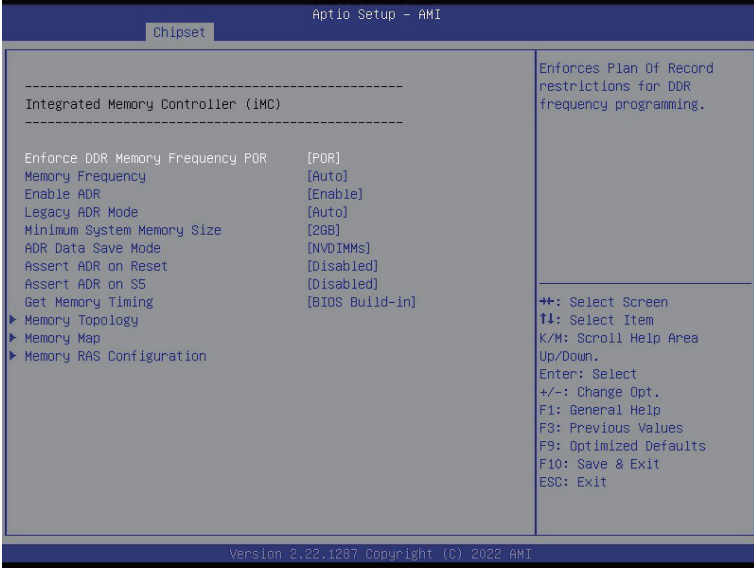
5-3-3 UPI Configuration



| Parameter | Description |
|---------------------------|--|
| UPI General Configuration | Press [Enter] to configure advanced items. |
| | <ul style="list-style-type: none"> ◆ UPI Status <ul style="list-style-type: none"> – Press [Enter] to view the Uncore status. ◆ Link Frequency Select <ul style="list-style-type: none"> – Selects the UPI link frequency. – Options available: 12.8GT/s, 14.4GT/s, 16.0GT/s, Auto, Use Per Link Setting. Default setting is Auto. ◆ SNC <ul style="list-style-type: none"> – Enable/Disable Sub NUMA Cluster function. – Options available: Auto, Disable, Enable SNC2 (2-clusters), Enable SNC4 (4-clusters). Default setting is Auto. ◆ Stale AtoS <ul style="list-style-type: none"> – Enable/Disable Stale A to S directory optimization. – Options available: Disable, Enable, Auto. Default setting is Auto. ◆ LLC dead line alloc <ul style="list-style-type: none"> – Enable/Disable fill dead lines in LLC. – Options available: Disable, Enable, Auto. Default setting is Enable. ◆ MMIO High Base <ul style="list-style-type: none"> – Options available: 56T, 40T, 32T, 24T, 16T, 4T, 2T, 1T, 512G, 3584T. Default setting is 32T. |

| Parameter | Description |
|--|--|
| UPI General Configuration (continued) | <ul style="list-style-type: none">◆ MMIO High Granularity Size<ul style="list-style-type: none">– Selects the allocation size used to assign mmioh resources.– Options available: 1G, 4G, 16G, 64G, 256G, 1024G. Default setting is 64G.◆ Clock Modulation Enabled<ul style="list-style-type: none">– Options available: Disable, Enable, Auto. Default setting is Auto. |

5-3-4 Memory Configuration



| Parameter | Description |
|------------------------------------|---|
| Integrated Memory Controller (iMC) | |
| Enforce DDR Memory Frequency POR | When set to Enable, the system enforces Plan Of Record restrictions for DDR frequency programming. Options available: POR, Disable. Default setting is POR . |
| Memory Frequency | Configures the maximum memory frequency. If Enforce POR is disabled, user will be able to run at higher frequencies than the memory support (limited by processor support). Default setting is Auto . |
| Enable ADR | Enables the detecting and enabling of ADR (Asynchronous DRAM Refresh) function. Options available: Enable, Disable. Default setting is Enable . |
| Legacy ADR Mode | Enable/Disable the Legacy ADR Mode. Options available: Enable, Disable, Auto. Default setting is Auto . |
| Minimum System Memory Size | Configures the minimum memory size. Options available: 2GB, 4GB, 6GB, 8GB. Default setting is 2GB . |
| ADR Data Save Mode | Specifies the Data Save Mode for ADR. Batterybacked or Type 01 NVDIMM. Options available: Disable, Batterybacked DIMMs, NVDIMMs, Copy to Flash. Default setting is NVDIMMs . |
| Assert ADR on Reset | Enable/Disable Assert ADR on Reset. Options available: Enabled, Disabled. Default setting is Disabled . |

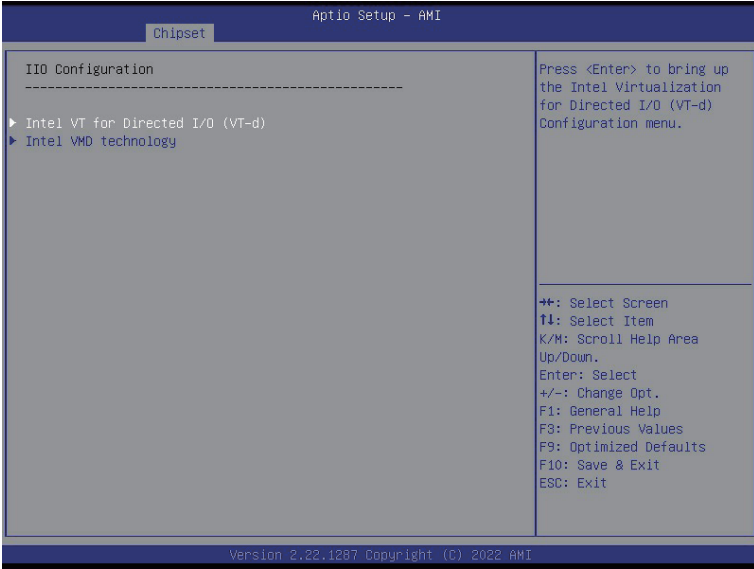
| Parameter | Description |
|--------------------------|---|
| Assert ADR on S5 | Enable/Disable Assert ADR on S5. Options available: Enabled, Disabled. Default setting is Disabled . |
| Get Memory Timing | Auto is the detected SPD value and use it, otherwise use BIOS Build-in. Options available: Auto, BIOS Build-in. Default setting is BIOS Build-in . |
| Memory Topology | Press [Enter] to view memory topology with DIMM population information. |
| Memory Map | Press [Enter] to configure advanced items. <ul style="list-style-type: none"> ◆ Volatile Memory Mode <ul style="list-style-type: none"> – Selects 1LM or 2LM mode for volatile memory. – Options available: 1LM, 2LM. Default setting is 2LM. |
| Memory RAS Configuration | Press [Enter] to configure advanced items. <ul style="list-style-type: none"> ◆ Mirror Mode^(Note) <ul style="list-style-type: none"> – Mirror Mode will set entire 1LM memory in system to be mirrored, consequently reducing the memory capacity by half. Enables the Mirror Mode will disable the XPT Prefetch. – Options available: Disabled, Full Mirror Mode, Partial Mirror Mode. Default setting is Disabled. ◆ Partial Mirror 1 Size (GB) <ul style="list-style-type: none"> – Selects multiplier of 1GB for the size of the SAD to be created. ◆ Correctable Error Threshold <ul style="list-style-type: none"> – Correctable Error Threshold (0x01-0x7fff) used for sparing, and leaky bucket. – Press the <+> / <-> keys to increase or decrease the desired values. ◆ Trigger SW Error Threshold^(Note) <ul style="list-style-type: none"> – Enable/Disable Sparing trigger SW Error Match Threshold. – Options available: Disabled, Enabled. Default setting is Disabled. ◆ SW Per Bank Threshold <ul style="list-style-type: none"> – SW Per Bank Threshold (1-0x7FFF) used for DDR bank level error. – Press the <+> / <-> keys to increase or decrease the desired values. ◆ SW Correctable Error Time Window <ul style="list-style-type: none"> – SW Correctable Error time window based interface in hour (0-24). – Press the <+> / <-> keys to increase or decrease the desired values. ◆ Leaky bucket time window based interface <ul style="list-style-type: none"> – Enable/Disable leaky bucket time window based interface. – Options available: Disabled, Enabled. Default setting is Disabled. |

(Note) Advanced items prompt when this item is defined.

| Parameter | Description |
|---|---|
| Memory RAS Configuration (continued) | <ul style="list-style-type: none"> ◆ Leaky bucket time window based interface Hour <ul style="list-style-type: none"> – Leaky bucket time window based interface hour used for DDR (0-24). – Press the <+> / <-> keys to increase or decrease the desired values. ◆ Leaky bucket time window based interface Minute <ul style="list-style-type: none"> – Leaky bucket time window based interface minute used for DDR (0-60). – Press the <+> / <-> keys to increase or decrease the desired values. ◆ Leaky bucket low bit <ul style="list-style-type: none"> – Configures leaky bucket low bit (0x1 - 0x29). – Press the <+> / <-> keys to increase or decrease the desired values. ◆ Leaky bucket high bit <ul style="list-style-type: none"> – Configures leaky bucket high bit (0x1 - 0x29). – Press the <+> / <-> keys to increase or decrease the desired values. ◆ ADDDC Sparing^(Note) <ul style="list-style-type: none"> – Enable/Disable ADDDC Sparing. – Options available: Disabled, Enabled. Default setting is Disabled. ◆ Enable ADDDC Error Injection <ul style="list-style-type: none"> – Options available: Disabled, Enabled. Default setting is Enabled. ◆ Patrol Scrub <ul style="list-style-type: none"> – Options available: Disabled, Enable at End of POST. Default setting is Enable at End of POST. ◆ Patrol Scrub Interval <ul style="list-style-type: none"> – Selects the number of hours (1-24) required to complete full scrub. A value of zero means auto. ◆ DDR5 ECS <ul style="list-style-type: none"> – Options available: Disabled, Enabled, Enable ECS with Result Collection. Default setting is Enabled. |

(Note) Advanced items prompt when this item is defined.

5-3-5 I/O Configuration

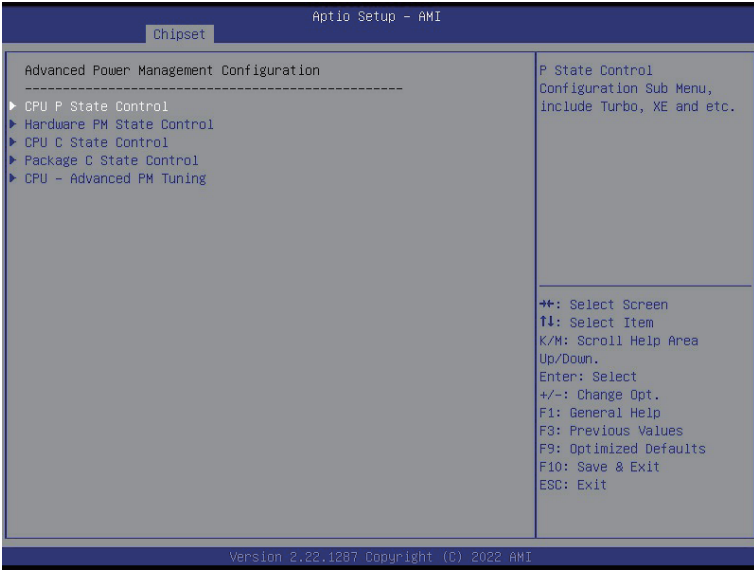


| Parameter | Description |
|-----------------------------------|--|
| I/O Configuration | <p>Press [Enter] to configure advanced items.</p> <ul style="list-style-type: none"> ◆ Intel® VT for Directed I/O <ul style="list-style-type: none"> – Enable/Disable the Intel VT for Directed I/O (VT-d) support function by reporting the I/O device assignment to VMM through DMAR ACPI Tables. – Options available: Enable, Disable. Default setting is Enable. ◆ ACS Control <ul style="list-style-type: none"> – Enable: Programs ACS only to Chipset PCIe Root Ports Bridges. – Disable: Programs ACS to all PCIe bridges. – Default setting is Enable. |
| Intel® VT for Directed I/O (VT-d) | <ul style="list-style-type: none"> ◆ Cache Allocation <ul style="list-style-type: none"> – Options available: Enable, Disable. Default setting is Enable. ◆ Opt-Out Illegal MSI Mitigation <ul style="list-style-type: none"> – Enable/Disable Opt-Out Illegal 0xFEE Platform Mitigation. – Options available: Disable, Enable. Default setting is Disable. ◆ DMA Control Opt-In Flag <ul style="list-style-type: none"> – Enable/Disable DMA_CTRL_PLATFORM_OPT_IN_FLAG in DMAR table in ACPI. Not compatible with Direct Device Assignment (DDA). – Options available: Enable, Disable. Default setting is Disable. |

| Parameter | Description |
|-----------------------|--|
| | <ul style="list-style-type: none"> ◆ Interrupt Remapping <ul style="list-style-type: none"> – Enable/Disable the interrupt remapping support function. – Options available: Auto, Enable, Disable. Default setting is Auto ◆ x2APIC Opt Out <ul style="list-style-type: none"> – Options available: Enable, Disable. Default setting is Disable. ◆ Pre-boot DMA Protection <ul style="list-style-type: none"> – Options available: Enable, Disable. Default setting is Disable. |
| Intel® VMD technology | <p>Press [Enter] to configure advanced items.</p> <ul style="list-style-type: none"> ◆ Intel® VMD Configuration <ul style="list-style-type: none"> – Enable/Disable Intel® VMD technology. – Options available: Enable, Disable. Default setting is Disable. ◆ Intel® VMD for Non-Hotplug NVMe^(Note) <ul style="list-style-type: none"> – Enable/Disable Intel® VMD for Non-Hotplug NVMe. – Options available: Enable, Disable. Default setting is Disable. |

(Note) This item appears when **Intel® VMD Configuration** is set to **Enable**.

5-3-6 Advanced Power Management Configuration

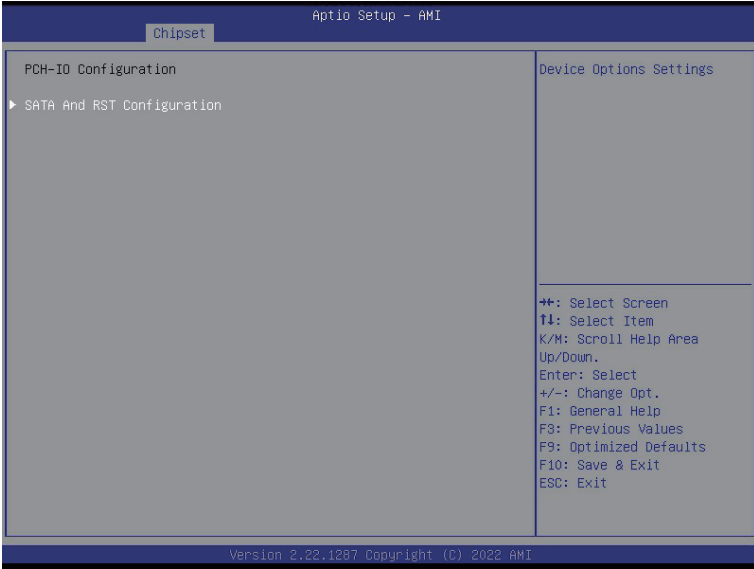


| Parameter | Description |
|---------------------------|---|
| CPU P State Control | <p>Press [Enter] to configure advanced items.</p> <ul style="list-style-type: none"> ◆ SpeedStep (Pstates) <ul style="list-style-type: none"> – Conventional Intel SpeedStep Technology switches both voltage and frequency in tandem between high and low levels in response to processor load. – Options available: Enable, Disable. Default setting is Enable. ◆ Turbo Mode <ul style="list-style-type: none"> – When this item is enabled, the processor will automatically ramp up the clock speed of 1-2 of its processing cores to improve its performance. When this item is disabled, the processor will not overclock any of its core. – Options available: Enable, Disable. Default setting is Enable. |
| Hardware PM State Control | <p>Press [Enter] to configure advanced items.</p> <ul style="list-style-type: none"> ◆ Hardware P-States <ul style="list-style-type: none"> – When this item is disabled, the processor hardware chooses a P-state based on OS Request (Legacy P-States). – In Native mode, the processor hardware chooses a P-state based on OS guidance. – In Out of Band mode, the processor hardware autonomously chooses a P-state (with no OS guidance). – Options available: Disable, Native Mode, Out of Band Mode, Native Mode with No Legacy Support. Default setting is Native Mode. |

| Parameter | Description |
|--------------------------|--|
| CPU C State Control | <p>Press [Enter] to configure advanced items.</p> <ul style="list-style-type: none"> ◆ Enable Monitor MWAIT <ul style="list-style-type: none"> – Allows Monitor and MWAIT instructions. – Options available: Disable, Enable, Auto. Default setting is Auto. ◆ CPU C6 Report <ul style="list-style-type: none"> – Enable/Disable CPU C6(ACPI C3) report to OS. – Options available: Disable, Enable, Auto. Default setting is Auto. ◆ Enhanced Halt State (C1E) <ul style="list-style-type: none"> – Core C1E auto promotion control. Takes effect after reboot. – Options available: Enable, Disable. Default setting is Enable. |
| Package C State Control | <p>Press [Enter] to configure advanced items.</p> <ul style="list-style-type: none"> ◆ Package C State <ul style="list-style-type: none"> – Configures the state for the C-State package limit. – Options available: C0/C1 state, C2 state, C6(non Retention) state, C6(Retention) state, No Limit, Auto. Default setting is Auto. |
| CPU - Advanced PM Tuning | <p>Press [Enter] to configure advanced items.</p> <ul style="list-style-type: none"> ◆ Energy Perf BIAS <ul style="list-style-type: none"> – Press [Enter] to configure advanced items. <ul style="list-style-type: none"> » Power Performance Tuning <ul style="list-style-type: none"> • Options available: OS Controls EPB, BIOS Controls EPB, PECl Controls EPB. Default setting is OS Controls EPB. » Energy_PERF_BIAS_CFG mode^(Note) <ul style="list-style-type: none"> • Options available: Performance, Balanced Performance, Balanced Power, Power. Default setting is Balanced Performance. |

(Note) This item is configurable when **Power Performance Tuning** is set to **BIOS Controls EPB**.

5-3-7 PCH Configuration



| Parameter | Description |
|---|---|
| PCH-IO Configuration | Press [Enter] to configure advanced items. |
| SATA And RST Configuration/ SATA Controller And RST Configuration | <ul style="list-style-type: none"> ◆ SATA Configuration <ul style="list-style-type: none"> – Enable/Disable SATA controller. – Options available: Enabled, Disabled. Default setting is Enabled. ◆ SATA Mode Selection <ul style="list-style-type: none"> – Configures on chip SATA type. – AHCI Mode: When set to AHCI, the SATA controller enables its AHCI functionality. Then the RAID function is disabled and cannot be access the RAID setup utility at boot time. – RAID Mode: When set to RAID, the SATA controller enables both its RAID and AHCI functions. You will be allowed to access the RAID setup utility at boot time. – Options available: AHCI, RAID. Default setting is AHCI. ◆ RAID Device ID^(Note) <ul style="list-style-type: none"> – Choose RAID Device ID. – Options available: Client, Alternate, Server. Default setting is Server. ◆ SATA Port 0/1/2/3/4/5/6/7 <ul style="list-style-type: none"> – The category identifies SATA hard drives that are installed in the computer. System will automatically detect HDD type. |

(Note) Only appears when HDD sets to **RAID Mode**.

| Parameter | Description |
|--|---|
| SATA And RST Configuration/ SATA Controller And RST Configuration (continued) | <ul style="list-style-type: none"> ◆ Port 0/1/2/3/4/5/6/7 <ul style="list-style-type: none"> – Enable/Disable Port 0/1/2/3/4/5/6/7 device. – Options available: Enabled, Disabled. Default setting is Enabled. ◆ Hot Plug (for Port 0/1/2/3/4/5/6/7) <ul style="list-style-type: none"> – Enable/Disable HDD Hot-Plug function. – Options available: Enabled, Disabled. Default setting is Enabled. ◆ Spin Up Device (for Port 0/1/2/3/4/5/6/7) <ul style="list-style-type: none"> – On an edge detect from 0 to 1, the PCH starts a COM reset initialization to the device. – Options available: Enabled, Disabled. Default setting is Disabled. |
| SATA And RST Configuration/ sSATA Controller And RST Configuration | <ul style="list-style-type: none"> ◆ SATA Configuration <ul style="list-style-type: none"> – Enable/Disable SATA controller. – Options available: Enabled, Disabled. Default setting is Enabled. ◆ SATA Mode Selection <ul style="list-style-type: none"> – Configures on chip SATA type. – AHCI Mode: When set to AHCI, the SATA controller enables its AHCI functionality. Then the RAID function is disabled and cannot be access the RAID setup utility at boot time. – RAID Mode: When set to RAID, the SATA controller enables both its RAID and AHCI functions. You will be allowed to access the RAID setup utility at boot time. – Options available: AHCI, RAID. Default setting is AHCI. ◆ RAID Device ID^(Note) <ul style="list-style-type: none"> – Choose RAID Device ID. – Options available: Client, Alternate, Server. Default setting is Server. ◆ SATA Port 4/5/6/7 <ul style="list-style-type: none"> – The category identifies sSATA hard drives that are installed in the computer. System will automatically detect HDD type. ◆ SATA Port 4/5/6/7 <ul style="list-style-type: none"> – Enable/Disable Port 4/5/6/7 device. – Options available: Enabled, Disabled. Default setting is Enabled. ◆ Hot Plug (for Port 4/5/6/7) <ul style="list-style-type: none"> – Enable/Disable HDD Hot-Plug function. – Options available: Enabled, Disabled. Default setting is Enabled. ◆ Spin Up Device (for Port 4/5/6/7) <ul style="list-style-type: none"> – On an edge detect from 0 to 1, the PCH starts a COM reset initialization to the device. – Options available: Enabled, Disabled. Default setting is Disabled. |

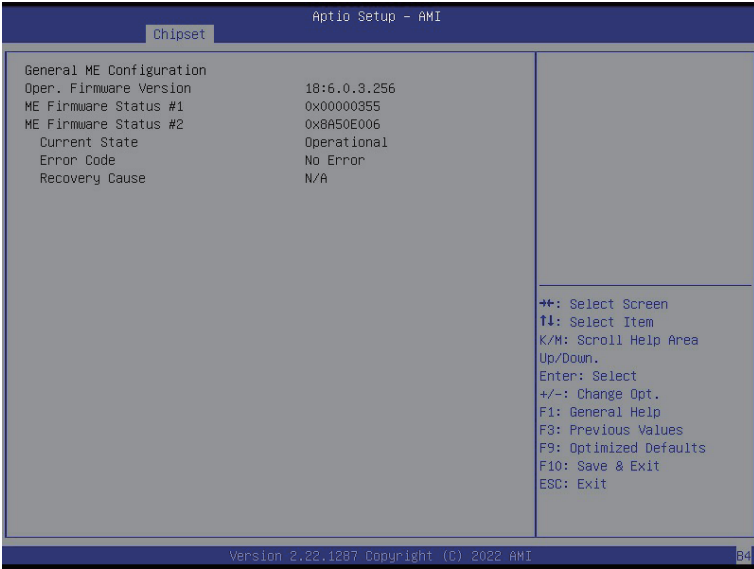
(Note) Only appears when HDD sets to **RAID Mode**.

5-3-8 Miscellaneous Configuration



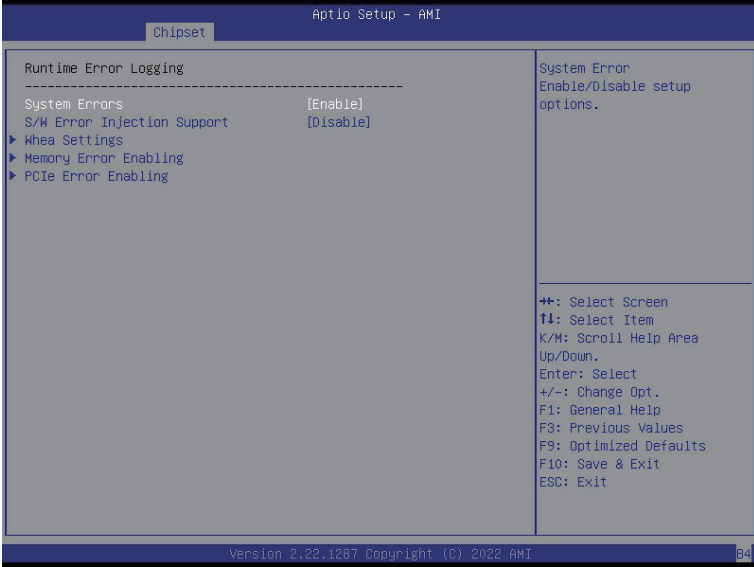
| Parameter | Description |
|-----------------------------|---|
| Miscellaneous Configuration | |
| Active Video | Selects the active video type. Options available: Auto, Onboard Device, PCIE Device, Specific PCIE Device. Default setting is Auto . |
| External SSC - CK440 | Enables Spread spectrum - only affects external clock generator. Options available: SSC Off, SSC = -0.3%, SSC = -0.5%, Hardware. Default setting is SSC Off . |

5-3-9 Server ME Configuration



| Parameter | Description |
|--------------------------|--|
| General ME Configuration | |
| Oper. Firmware Version | Displays the operational firmware version. |
| ME Firmware Status #1/#2 | Displays ME Firmware status information. |
| Current State | Displays ME Firmware current status information. |
| Error Code | Displays ME Firmware status error code. |
| Recovery Cause | Displays ME Firmware recovery cause. |

5-3-10 Runtime Error Logging Settings

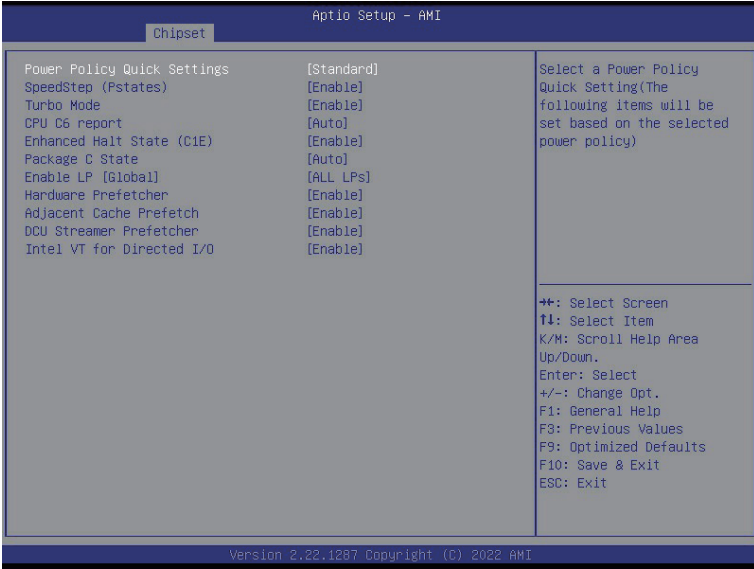


| Parameter | Description |
|-----------------------------|--|
| Runtime Error Logging | |
| System Errors | Enable/Disable system error logging function. Options available: Enable, Disable. Default setting is Enable . |
| S/W Error Injection Support | Enable/Disable software injection error logging function. Options available: Enable, Disable. Default setting is Disable . |
| Whea Settings | Press [Enter] to configure advanced items. <ul style="list-style-type: none"> ◆ WHEA (Windows Hardware Error Architecture) Support <ul style="list-style-type: none"> - Enable/Disable WHEA Support. - Options available: Enable, Disable. Default setting is Enable. |
| Memory Error Enabling | Press [Enter] to configure advanced items. <ul style="list-style-type: none"> ◆ Memory Corrected Error <ul style="list-style-type: none"> - Enable/Disable Memory Corrected Error. - Options available: Enable, Disable. Default setting is Enable. ◆ Uncorrected Error disable Memory <ul style="list-style-type: none"> - Enable/Disable the Memory that triggers Uncorrected Error. - Options available: Enable, Disable. Default setting is Disable. |

| Parameter | Description |
|---------------------|---|
| PCIe Error Enabling | <p data-bbox="309 142 642 166">Press [Enter] to configure advanced items.</p> <ul style="list-style-type: none"> <li data-bbox="309 170 852 252">◆ PCIe Error <ul style="list-style-type: none"> <li data-bbox="344 200 580 224">– Enable/Disable PCIe error. <li data-bbox="344 228 852 252">– Options available: Enable, Disable. Default setting is Disable. <li data-bbox="309 257 923 338">◆ Uncorrected Error^(Note) <ul style="list-style-type: none"> <li data-bbox="344 286 923 310">– Enables and escalates Uncorrectable/Recoverable Errors to error pins. <li data-bbox="344 315 846 338">– Options available: Enable, Disable. Default setting is Enable. <li data-bbox="309 343 846 424">◆ Fatal Error Enable^(Note) <ul style="list-style-type: none"> <li data-bbox="344 373 749 396">– Enables and escalates Fatal Errors to error pins. <li data-bbox="344 401 846 424">– Options available: Enable, Disable. Default setting is Enable. <li data-bbox="309 429 940 545">◆ Assert NMI on SERR^(Note) <ul style="list-style-type: none"> <li data-bbox="344 459 940 514">– Enable/Disable BIOS generates a non-maskable interrupt (NMI) and logs an error when a system error (SERR) occurs. <li data-bbox="344 519 876 542">– Options available: Enabled, Disabled. Default setting is Enabled. <li data-bbox="309 550 940 661">◆ Assert NMI on PERR^(Note) <ul style="list-style-type: none"> <li data-bbox="344 580 940 635">– Enable/Disable BIOS generates a non-maskable interrupt (NMI) and logs an error when a processor bus parity error (PERR) occurs. <li data-bbox="344 639 876 663">– Options available: Enabled, Disabled. Default setting is Enabled. |

(Note) This item appears when **PCIe Error** is set to **Enable**.

5-3-11 Power Policy



| Parameter | Description |
|-----------------------------|---|
| Power Policy Quick Settings | Selects a Power Policy Quick Setting. Options available: Standard, Best Performance, Energy Efficient. Default setting is Standard . |
| SpeedStep (Pstates) | Conventional Intel SpeedStep Technology switches both voltage and frequency in tandem between high and low levels in response to processor load. Options available: Enable, Disable. Default setting is Enable . |
| Turbo Mode | When this item is enabled, the processor will automatically ramp up the clock speed of 1-2 of its processing cores to improve its performance. When this item is disabled, the processor will not overclock any of its core. Options available: Enable, Disable. Default setting is Enable . |
| CPU C6 report | Enable/Disable the BIOS to enable the report from the CPU C6 state (ACPI C3) to the OS. Options available: Disable, Enable, Auto. Default setting is Auto . |
| Enhanced Halt State (C1E) | Enable/Disable the C1E support for lower power consumption. Takes effect after reboot. Options available: Enable, Disable. Default setting is Enable . |
| Package C State | Configures the C-State package limit. Options available: C0/C1 state, C2 state, C6(non Retention) state, C6(Retention) state, No Limit, Auto. Default setting is Auto . |

| Parameter | Description |
|----------------------------|--|
| Enable LP [Global] | Enables Logical processor (Software Method to Enable/Disable Logical Processor threads). Options available: ALL LPs, Single LP. Default setting is ALL LPs . |
| Hardware Prefetcher | Options available: Enable, Disable. Default setting is Enable . |
| Adjacent Cache Prefetch | Options available: Enable, Disable. Default setting is Enable . |
| DCU Streamer Prefetcher | Options available: Enable, Disable. Default setting is Enable . |
| Intel® VT for Directed I/O | Enable/Disable the Intel VT for Directed I/O (VT-d) support function by reporting the I/O device assignment to VMM through DMAR ACPI Tables. Options available: Enable, Disable. Default setting is Enable . |

5-4 Server Management Menu



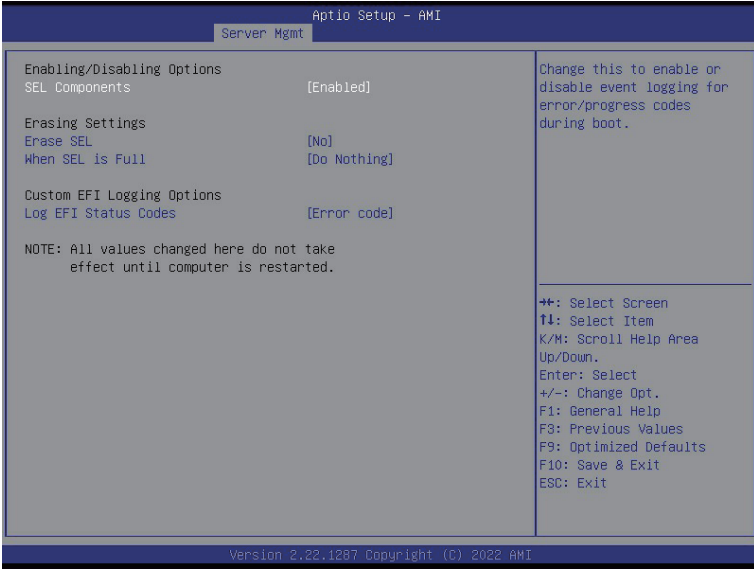
| Parameter | Description |
|---|--|
| FRB-2 Timer | Enable/Disable FRB-2 timer (POST timer). Options available: Enabled, Disabled. Default setting is Enabled . |
| FRB-2 Timer ^(Note1) timeout | Configures the FRB2 Timer timeout. The value is between 1 to 30 minutes. Default setting is 6 minutes . |
| FRB-2 Timer Policy ^(Note1) | Configures the FRB2 Timer policy. Options available: Do Nothing, Reset, Power Down, Power Cycle. Default setting is Do Nothing . |
| OS Watchdog Timer | Enable/Disable OS Watchdog Timer function. Options available: Enabled, Disabled. Default setting is Disabled . |
| OS Wtd Timer Timeout ^(Note2) | Configures OS Watchdog Timer. The value is between 1 to 30 minutes. Default setting is 10 minutes . |
| OS Wtd Timer Policy ^(Note2) | Configure OS Watchdog Timer Policy. Options available: Reset, Do Nothing, Power Down, Power Cycle. Default setting is Reset . |
| Wait BMC Ready | POST wait BMC ready and reboot system. Options available: Disabled, 2 minutes, 4 minutes, 6 minutes. Default setting is 2 minutes . |

(Note1) This item is configurable when **FRB-2 Timer** is set to **Enabled**.

(Note2) This item is configurable when **OS Watchdog Timer** is set to **Enabled**.

| Parameter | Description |
|--------------------------------|--|
| System Event Log | Press [Enter] to configure advanced items. |
| View FRU Information | Press [Enter] to view the FRU information. |
| BMC VLAN Configuration | Press [Enter] to configure advanced items. |
| BMC network Configuration | Press [Enter] to configure advanced items. |
| IPv6 BMC Network Configuration | Press [Enter] to configure advanced items. |

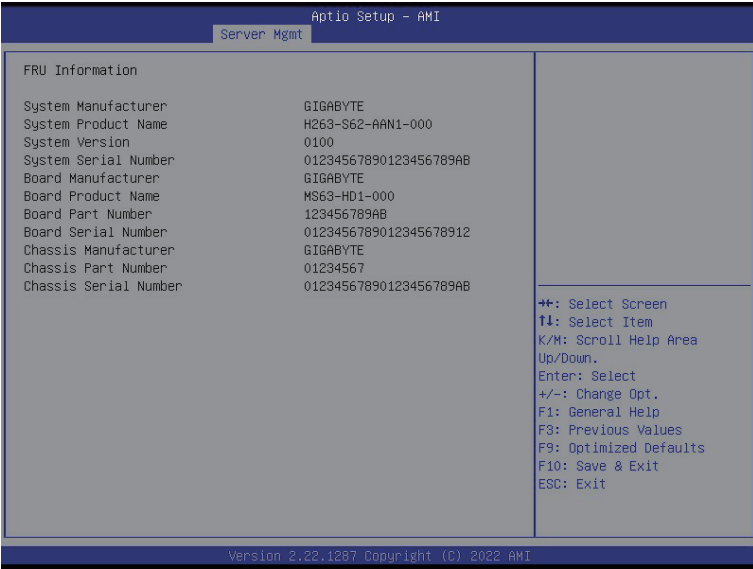
5-4-1 System Event Log



| Parameter | Description |
|------------------------------|--|
| Enabling / Disabling Options | |
| SEL Components | Change this item to enable or disable all features of System Event Logging during boot. Options available: Enabled, Disabled. Default setting is Enabled . |
| Erasing Settings | |
| Erase SEL | Choose options for erasing SEL. Options available: No, Yes, On next reset, Yes, On every reset. Default setting is No . |
| When SEL is Full | Choose options for reactions to a full SEL. Options available: Do Nothing, Erase Immediately, Delete Oldest Record. Default setting is Do Nothing . |
| Custom EFI Logging Options | |
| Log EFI Status Codes | Enable/Disable the logging of EFI Status Codes (if not already converted to legacy). Options available: Disabled, Both, Error code, Progress code. Default setting is Error code . |

5-4-2 View FRU Information

The FRU page is a simple display page for basic system ID information, as well as System product information. Items on this window are non-configurable.



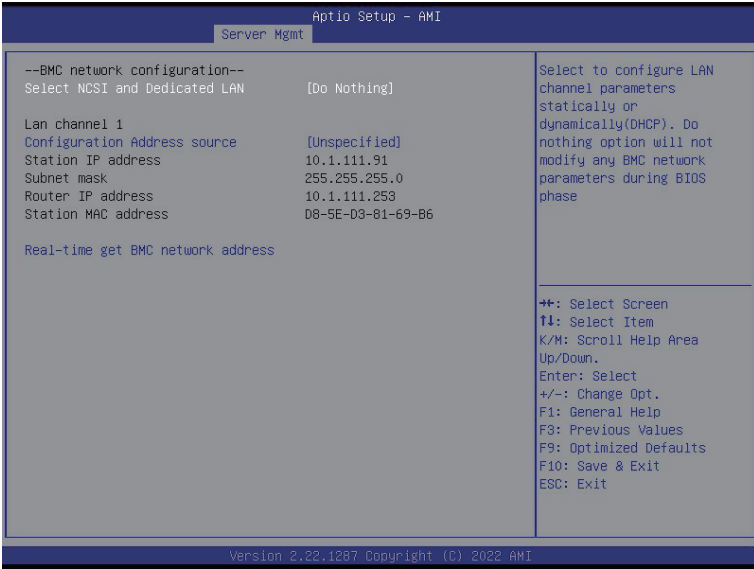
(Note) The model name will vary depends on the product you purchased

5-4-3 BMC VLAN Configuration



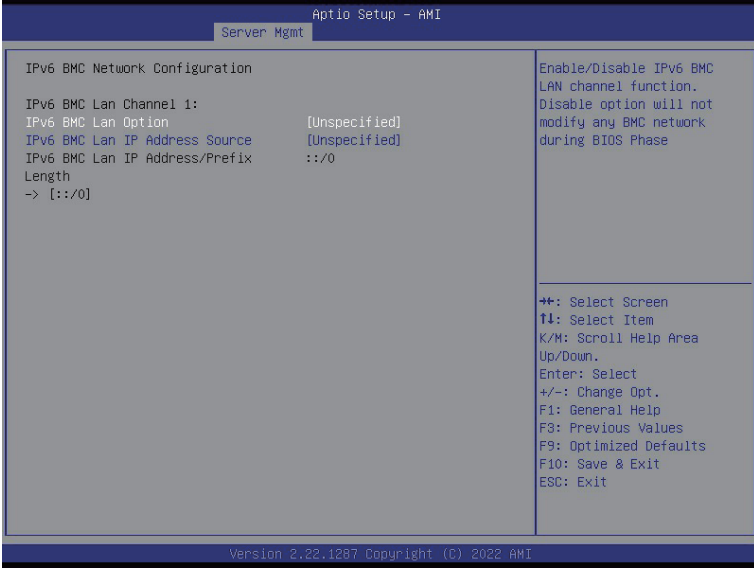
| Parameter | Description |
|------------------------|--|
| BMC VLAN Configuration | |
| BMC VLAN ID | Select to configure BMC VLAN ID. The valid range is from 0 to 4094. When set to 0, BMC VLAN ID will be disabled. |
| BMC VLAN Priority | Select to configure BMC VLAN Priority. The valid range is from 0 to 7. When BMC VLAN ID is set to 0, BMC VLAN Priority will not be selected. |

5-4-4 BMC Network Configuration



| Parameter | Description |
|-----------------------------------|---|
| BMC network configuration | |
| Select NCSI and Dedicated LAN | Options available: Do Nothing, Model1(Dedicated), Model2(NCSI), Mode3(Failover). Default setting is Do Nothing . |
| Lan Channel 1 | |
| Configuration Address source | Selects to configure LAN channel parameters statically or dynamically (DHCP). Options available: Unspecified, Static, DynamicBmcDhcp. Default setting is DynamicBmcDhcp . |
| Station IP address | Displays IP Address information. |
| Subnet mask | Displays Subnet Mask information. Please note that the IP address must be in three digitals, for example, 192.168.000.001. |
| Router IP address | Displays the Router IP Address information. |
| Station MAC address | Displays the MAC Address information. |
| Real-time get BMC network address | Press [Enter] will set LAN mode and Address source and then get IP, Subnet, Gateway and MAC address. |

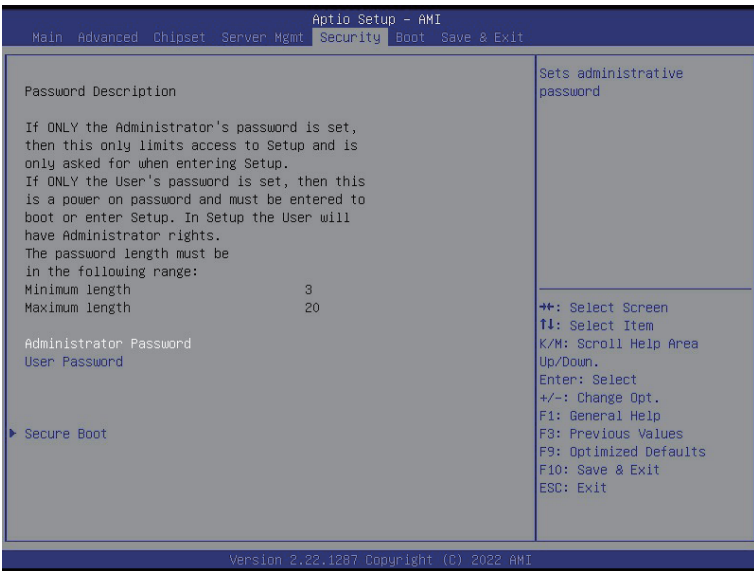
5-4-5 IPv6 BMC Network Configuration



| Parameter | Description |
|---------------------------------------|---|
| IPv6 BMC network configuration | |
| IPv6 BMC Lan Channel 1 | |
| IPv6 BMC Lan Option | Enable/Disable IPv6 BMC LAN channel function. When this item is disabled, the system will not modify any BMC network during BIOS phase. Options available: Unspecified, Disable, Enable. Default setting is Enable . |
| IPv6 BMC Lan IP Address Source | Selects to configure LAN channel parameters statically or dynamically (by BIOS or BMC). Options available: Unspecified, Static, Dynamic-Obtained by BMC running DHCP. Default setting is Dynamic-Obtained by BMC running DHCP . |
| IPv6 BMC Lan IP Address/Prefix Length | Check if the IPv6 BMC LAN IP address matches those displayed on the screen. |

5-5 Security Menu

The Security menu allows you to safeguard and protect the system from unauthorized use by setting up access passwords.



There are two types of passwords that you can set:

- **Administrator Password**
Entering this password will allow the user to access and change all settings in the Setup Utility.
- **User Password**
Entering this password will restrict a user's access to the Setup menus. To enable or disable this field, a Administrator Password must first be set. A user can only access and modify the System Time, System Date, and Set User Password fields.

| Parameter | Description |
|------------------------|--|
| Administrator Password | Press [Enter] to configure the administrator password. |
| User Password | Press [Enter] to configure the user password. |
| Secure Boot | Press [Enter] to configure advanced items. |

5-5-1 Secure Boot

The Secure Boot feature is applicable if supported by your Operating System.

If your Operating System is not supporting Secure Boot, the system will hang when starting the Operating System.



| Parameter | Description |
|------------------------------------|--|
| System Mode | Displays if the system is in User mode or Setup mode. |
| Secure Boot | Enable/ Disable the Secure Boot function. Options available: Enabled, Disabled. Default setting is Disabled . |
| Secure Boot Mode ^(Note) | Secure Boot requires all the applications that are running during the booting process to be pre-signed with valid digital certificates. This way, the system knows all files being loaded before the Operating System loads to the login screen have not been tampered with. When set to Standard, it will automatically load the Secure Boot keys from the BIOS databases. When set to Custom, you can customize the Secure Boot settings and manually load its keys from the BIOS database. Options available: Standard, Custom. Default setting is Standard . |
| Restore Factory Keys | Forces the system to user mode and installs factory default Secure Boot key database. |
| Reset To Setup Mode | Reset the system to Setup Mode. |

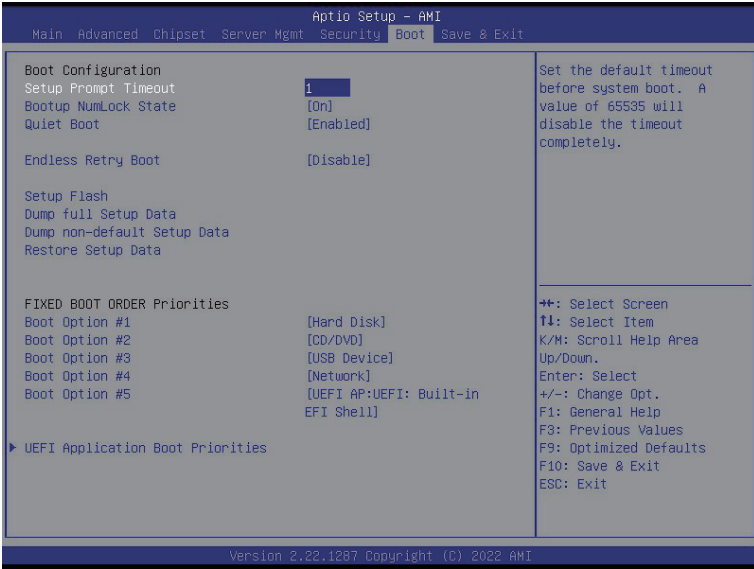
(Note) Advanced items prompt when this item is set to **Custom**.

| Parameter | Description |
|----------------|--|
| Key Management | <p data-bbox="333 158 668 181">Press [Enter] to configure advanced items.</p> <p data-bbox="333 185 939 236">Please note that this item is configurable when Secure Boot Mode is set to Custom.</p> <ul style="list-style-type: none"> <li data-bbox="333 239 951 351">◆ Factory Key Provision <ul style="list-style-type: none"> <li data-bbox="370 268 951 319">– Allows to provision factory default Secure Boot keys when system is in Setup Mode. <li data-bbox="370 323 908 351">– Options available: Enabled, Disabled. Default setting is Disabled. <li data-bbox="333 354 951 432">◆ Restore Factory Keys <ul style="list-style-type: none"> <li data-bbox="370 382 929 406">– Installs all factory default keys. It will force the system in User Mode. <li data-bbox="370 409 610 432">– Options available: Yes, No. <li data-bbox="333 435 951 514">◆ Reset To Setup Mode <ul style="list-style-type: none"> <li data-bbox="370 464 657 487">– Reset the system to Setup Mode. <li data-bbox="370 490 610 514">– Options available: Yes, No. <li data-bbox="333 517 951 595">◆ Enroll Efi Image <ul style="list-style-type: none"> <li data-bbox="370 545 902 595">– Press [Enter] to enroll SHA256 hash of the binary into Authorized Signature Database (db). <li data-bbox="333 598 951 677">◆ Export Secure Boot variables <ul style="list-style-type: none"> <li data-bbox="370 627 939 677">– Copy NVRAM content of Secure Boot variables to files in a root folder on a file system device. <li data-bbox="333 680 951 743">◆ Secure Boot variable <ul style="list-style-type: none"> <li data-bbox="370 708 898 743">– Displays the current status of the variables used for secure boot. <li data-bbox="333 746 951 856">◆ Platform Key (PK) <ul style="list-style-type: none"> <li data-bbox="370 774 802 798">– Displays the current status of the Platform Key (PK). <li data-bbox="370 801 678 824">– Press [Enter] to configure a new PK. <li data-bbox="370 827 604 856">– Options available: Update. <li data-bbox="333 859 951 1000">◆ Key Exchange Keys (KEK) <ul style="list-style-type: none"> <li data-bbox="370 887 944 911">– Displays the current status of the Key Exchange Key Database (KEK). <li data-bbox="370 914 908 965">– Press [Enter] to configure a new KEK or load additional KEK from storage devices. <li data-bbox="370 969 674 1000">– Options available: Update, Append. <li data-bbox="333 1003 951 1128">◆ Authorized Signatures (DB) <ul style="list-style-type: none"> <li data-bbox="370 1031 908 1055">– Displays the current status of the Authorized Signature Database. <li data-bbox="370 1058 944 1110">– Press [Enter] to configure a new DB or load additional DB from storage devices. <li data-bbox="370 1113 674 1128">– Options available: Update, Append. <li data-bbox="333 1132 951 1273">◆ Forbidden Signatures (DBX) <ul style="list-style-type: none"> <li data-bbox="370 1160 902 1183">– Displays the current status of the Forbidden Signature Database. <li data-bbox="370 1186 893 1238">– Press [Enter] to configure a new dbx or load additional dbx from storage devices. <li data-bbox="370 1241 674 1273">– Options available: Update, Append. |

| Parameter | Description |
|-------------------------------|---|
| Key Management (continued) | <ul style="list-style-type: none"> ◆ Authorized TimeStamps (DBT) <ul style="list-style-type: none"> – Displays the current status of the Authorized TimeStamps Database. – Press [Enter] to configure a new DBT or load additional DBT from storage devices. – Options available: Update, Append. ◆ OsRecovery Signatures <ul style="list-style-type: none"> – Displays the current status of the OsRecovery Signature Database. – Press [Enter] to configure a new OsRecovery Signature or load additional OsRecovery Signature from storage devices. – Options available: Update, Append. |

5-6 Boot Menu

The Boot menu allows you to set the drive priority during system boot-up. BIOS setup will display an error message if the legacy drive(s) specified is not bootable.



| Parameter | Description |
|-----------------------------|---|
| Boot Configuration | |
| Setup Prompt Timeout | Number of seconds to wait for setup activation key. 65535 (0xFFFF) means indefinite waiting. Press the numeric keys to input the desired values. |
| Bootup NumLock State | Enable/Disable the Bootup NumLock function. Options available: On, Off. Default setting is On . |
| Quiet Boot | Enable/Disable showing the logo during POST. Options available: Enabled, Disabled. Default setting is Enabled . |
| Endless Retry Boot | Options available: Disable, Enable. Default setting is Disable . |
| Setup Flash | Press [Enter] to run setup flash. |
| Dump full Setup Data | Press [Enter] to dump full setup data to file. |
| Dump non-default Setup Data | Press [Enter] to dump non-default setup data to file. |
| Restore Setup Data | Press [Enter] to restore setup data from file. |

| Parameter | Description |
|------------------------------------|--|
| FIXED BOOT ORDER Priorities | |
| Boot Option #1 / #2 / #3 / #4 / #5 | <p data-bbox="402 200 948 283">Press [Enter] to configure the boot order priority. By default, the server searches for boot devices in the following sequence:</p> <ol data-bbox="439 288 948 426" style="list-style-type: none"> <li data-bbox="439 288 948 310">1. Hard drive. <li data-bbox="439 315 948 337">2. CD-COM/DVD drive. <li data-bbox="439 341 948 363">3. USB device. <li data-bbox="439 368 948 390">4. Network. <li data-bbox="439 395 948 417">5. UEFI. |
| UEFI Network Drive BBS Priorities | Press [Enter] to configure the boot priority. |
| UEFI Application Boot Priorities | Press [Enter] to configure the boot priority. |

5-7 Save & Exit Menu

The Save & Exit menu displays the various options to quit from the BIOS setup. Highlight any of the exit options then press <Enter>.



| Parameter | Description |
|---------------------------|---|
| Save Options | |
| Save and Exit | Saves changes made and closes the BIOS setup. Options available: Yes, No. |
| Discard changes and exit | Discards changes made and exits the BIOS setup. Options available: Yes, No. |
| Save Changes and Reset | Restarts the system after saving the changes made. Options available: Yes, No. |
| Discard Changes and Reset | Restarts the system without saving any changes. Options available: Yes, No. |
| Save Changes | Saves changes done so far to any of the setup options. Options available: Yes, No. |
| Discard Changes | Discards changes made and closes the BIOS setup. Options available: Yes, No. |
| Default Options | |

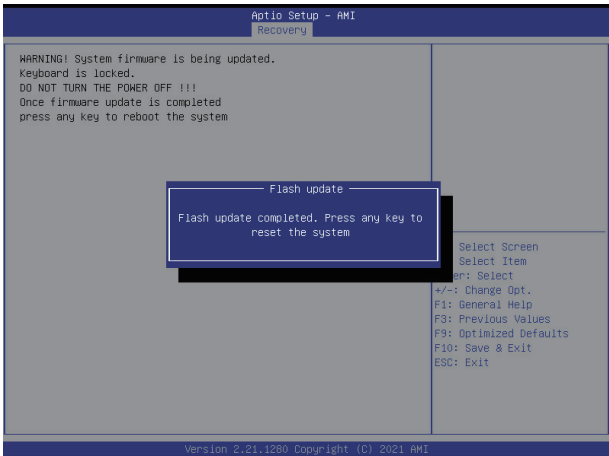
| Parameter | Description |
|---------------------------------|---|
| Restore Defaults | <p>Loads the default settings for all BIOS setup parameters. Setup Defaults are quite demanding in terms of resources consumption. If you are using low-speed memory chips or other kinds of low-performance components and you choose to load these settings, the system might not function properly.</p> <p>Options available: Yes, No.</p> |
| Save the User Default Values | <p>Saves the changes made as the user default settings.</p> <p>Options available: Yes, No.</p> |
| Restore the User Default Values | <p>Loads the user default settings for all BIOS setup parameters.</p> <p>Options available: Yes, No.</p> |
| Boot Device Priority | <p>Press [Enter] to configure the device as the boot-up drive.</p> |
| Launch EFI Shell | <p>Attempts to Launch EFI Shell application (Shell.efi) from one of the available file system devices.</p> |

5-8 BIOS Recovery

The system has an embedded recovery technique. In the event that the BIOS becomes corrupt the boot block can be used to restore the BIOS to a working state. To restore your BIOS, please follow the instructions listed below:

Recovery Instruction:

1. Copy the XXX.rom to USB diskette.
2. Setting BIOS Recovery jump to enabled status.
3. Boot into BIOS recovery.
4. Run Proceed with flash update.
5. BIOS updated.



5-9 BIOS POST Beep code (AMI standard)

5-9-1 PEI Beep Codes

| # of Beeps | Description |
|------------|--|
| 1 | Memory not Installed. |
| 1 | Memory was installed twice (InstallPeiMemory routine in PEI Core called twice) |
| 2 | Recovery started |
| 3 | DXE IPL was not found |
| 3 | DXE Core Firmware Volume was not found |
| 4 | Recovery failed |
| 4 | S3 Resume failed |
| 7 | Reset PPI is not available |

5-9-2 DXE Beep Codes

| # of Beeps | Description |
|------------|---|
| 1 | Invalid password |
| 4 | Some of the Architectural Protocols are not available |
| 5 | No Console Output Devices are found |
| 5 | No Console Input Devices are found |
| 6 | Flash update is failed |
| 7 | Reset protocol is not available |
| 8 | Platform PCI resource requirements cannot be met |