

W291-Z00 Tower Server Air Duct Replacing Manual

Version 1.1

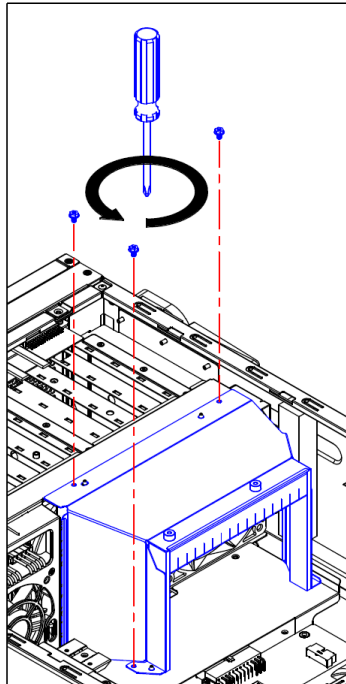
Replacing Air Duct

▼ Remove the Air Duct

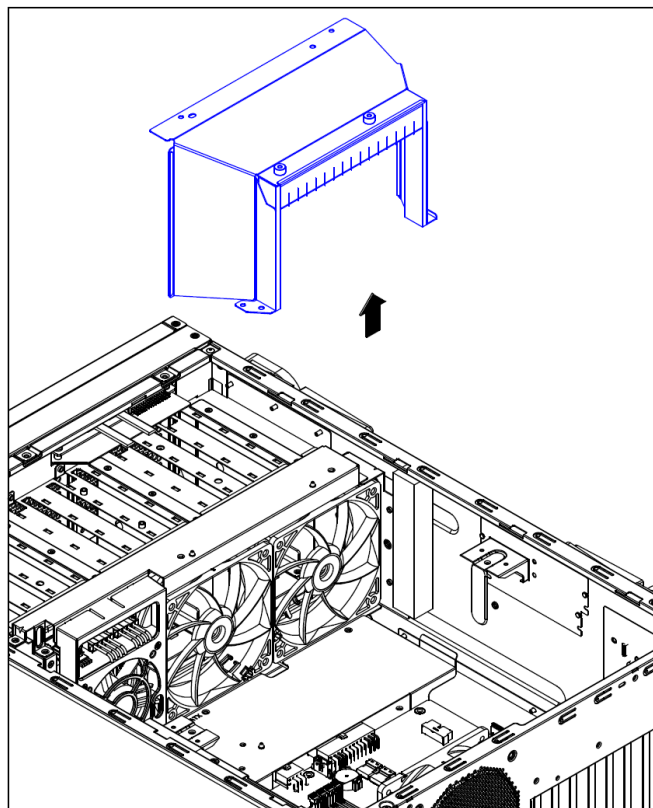
1. Complete these prerequisites in this order.

- Open the front door.
- Facing the server. Remove the left side cover.

2. Use a Phillips screwdriver to remove the 3 screws securing the hood.



3. Lift the duct out of the chassis.



▼ Install the Air Duct

1. Complete these prerequisites in this order.

- Insert the VGA (GPGPU) card in the appropriate slot.
- Install the VGA (GPGPU) fixing lever.

2. Align with the guide standoff to install the fan duct properly and tighten the 3 screws with a phillips screwdriver.

