

# **GIGABYTE™**

## **R282-Z90**

## **R282-Z91**

## **R282-Z92**

Rack Server - AMD EPYC™ 7003/7002 - 2U DP 12+2-Bay SATA/SAS

Rack Server - AMD EPYC™ 7003/7002 - 2U DP 24+2-Bay SATA/SAS

Rack Server - AMD EPYC™ 7003/7002 - 2U DP 24+2-Bay Gen3 NVMe/SATA/SAS

## User Manual

Rev. A00

## **Copyright**

© 2024 GIGA-BYTE TECHNOLOGY CO., LTD. All rights reserved.

The trademarks mentioned in this manual are legally registered to their respective owners.

## **Disclaimer**

Information in this manual is protected by copyright laws and is the property of GIGABYTE. Changes to the specifications and features in this manual may be made by GIGABYTE without prior notice. No part of this manual may be reproduced, copied, translated, transmitted, or published in any form or by any means without GIGABYTE's prior written permission.

## **Documentation Classifications**

In order to assist in the use of this product, GIGABYTE provides the following types of documentation:

- User Manual: detailed information & steps about the installation, configuration and use of this product (e.g. motherboard, server barebones), covering hardware and BIOS.
- User Guide: detailed information about the installation & use of an add-on hardware or software component (e.g. BMC firmware, rail-kit) compatible with this product.
- Quick Installation Guide: a short guide with visual diagrams that you can reference easily for installation purposes of this product (e.g. motherboard, server barebones).

Please see the support section of the online product page to check the current availability of these documents.

## **For More Information**

For related product specifications, the latest firmware and software, and other information please visit our website at <http://www.gigabyte.com>




For GIGABYTE distributors and resellers, additional sales & marketing materials are available from our reseller portal: <http://reseller.b2b.gigabyte.com>

For further technical assistance, please contact your GIGABYTE representative or visit <https://esupport.gigabyte.com/> to create a new support ticket

For any general sales or marketing enquiries, you may also message GIGABYTE server directly by email: [server.grp@gigabyte.com](mailto:server.grp@gigabyte.com)

## Conventions

The following conventions are used in this user's guide:

	<b>NOTE!</b> Gives bits and pieces of additional information related to the current topic.
	<b>CAUTION!</b> Gives precautionary measures to avoid possible hardware or software problems.
	<b>WARNING!</b> Alerts you to any damage that might result from doing or not doing specific actions.

## Server Warnings and Cautions

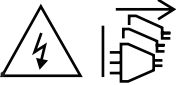
Before installing a server, be sure that you understand the following warnings and cautions.



### WARNING!

**To reduce the risk of electric shock or damage to the equipment:**

- Do not disable the power cord grounding plug. The grounding plug is an important safety feature.
- Plug the power cord into a grounded (earthed) electrical outlet that is easily accessible at all times.
- Unplug all the power cords from the power supplies to disconnect power to the equipment.



- Shock Hazard! Disconnect all power supply cords before servicing.
- Do not route the power cord where it can be walked on or pinched by items placed against it. Pay particular attention to the plug, electrical outlet, and the point where the cord extends from the server.



### WARNING!

**To reduce the risk of personal injury from hot surfaces, allow the drives and the internal system components to cool before touching them.**



### WARNING!

**This server is equipped with high speed fans. Keep away from hazardous moving fan blades during servicing.**



### WARNING!

**This equipment is intended to be used in Restricted Access Area. The access can only be gained by Skilled person. Only authorized by well trained professional person can access the restrict access location.**



### WARNING!

**The equipment should only be repaired, maintained or replaced by skilled personnel.**



### CAUTION!

- Do not operate the server for long periods with the access panel open or removed. Operating the server in this manner results in improper airflow and improper cooling that can lead to thermal damage.
- Danger of explosion if battery is incorrectly replaced.
- Replace only with the same or equivalent type recommended by the manufacturer.
- Dispose of used batteries according to the manufacturer's instructions.



### CAUTION!

Risk of explosion if battery is replaced incorrectly or with an incorrect type. Replace the battery only with the same or equivalent type recommended by the manufacturer. Dispose of used batteries according to the manufacturer's instructions.

## Electrostatic Discharge (ESD)



### CAUTION!

ESD CAN DAMAGE DRIVES, BOARDS, AND OTHER PARTS. WE RECOMMEND THAT YOU PERFORM ALL PROCEDURES AT AN ESD WORKSTATION. IF ONE IS NOT AVAILABLE, PROVIDE SOME ESD PROTECTION BY WEARING AN ANTI-STATIC WRIST STRAP ATTACHED TO CHASSIS GROUND -- ANY UNPAINTED METAL SURFACE -- ON YOUR SERVER WHEN HANDLING PARTS.

Always handle boards carefully. They can be extremely sensitive to ESD. Hold boards only by their edges without any component and pin touching. After removing a board from its protective wrapper or from the system, place the board component side up on a grounded, static free surface. Use a conductive foam pad if available but not the board wrapper. Do not slide board over any surface.

**System power on/off:** To remove power from system, you must remove the system from rack. Make sure the system is removed from the rack before opening the chassis, adding, or removing any non hot-plug components.

**Hazardous conditions, devices and cables:** Hazardous electrical conditions may be present on power, telephone, and communication cables. Turn off the system and disconnect the cables attached to the system before servicing it. Otherwise, personal injury or equipment damage can result.

**Electrostatic discharge (ESD) and ESD protection:** ESD can damage drives, boards, and other parts. We recommend that you perform all procedures in this chapter only at an ESD workstation. If one is not available, provide some ESD protection by wearing an antistatic wrist strap attached to chassis ground (any unpainted metal surface on the server) when handling parts.

**ESD and handling boards:** Always handle boards carefully. They can be extremely sensitive to electrostatic discharge (ESD). Hold boards only by their edges. After removing a board from its protective wrapper or from the system, place the board component side up on a grounded, static free surface. Use a conductive foam pad if available but not the board wrapper. Do not slide board over any surface.

**Installing or removing jumpers:** A jumper is a small plastic encased conductor that slips over two jumper pins. Some jumpers have a small tab on top that can be gripped with fingertips or with a pair of fine needle nosed pliers. If the jumpers do not have such a tab, take care when using needle nosed pliers to remove or install a jumper; grip the narrow sides of the jumper with the pliers, never the wide sides. Gripping the wide sides can damage the contacts inside the jumper, causing intermittent problems with the function controlled by that jumper. Take care to grip with, but not squeeze, the pliers or other tool used to remove a jumper, or the pins on the board may bend or break.

# Table of Contents

Chapter 1 Hardware Installation .....	9
1-1 Installation Precautions .....	9
1-2 Product Specifications .....	10
1-3 System Block Diagram .....	17
Chapter 2 System Appearance .....	20
2-1 Front View .....	20
2-1-1 R282-Z90 .....	20
2-1-2 R282-Z91 & R282-Z92 .....	20
2-2 Rear View .....	21
2-3 Front Panel LEDs and Buttons .....	22
2-4 Rear System LAN LEDs .....	24
2-5 Power Supply Unit LED .....	25
2-6 Hard Disk Drive LEDs .....	26
Chapter 3 System Hardware Installation .....	28
3-1 Removing and Installing the Chassis Cover .....	29
3-2 Removing and Installing the Fan Duct .....	30
3-3 Removing and Installing the Heat Sink .....	31
3-4 Removing and Installing the CPU .....	32
3-5 Removing and Installing Memory .....	34
3-5-1 Eight-Channel Memory Configuration .....	34
3-5-2 Removing and Installing a Memory Module .....	35
3-5-3 Processor and Memory Module Matrix Table .....	35
3-5-4 DIMM Population Table .....	36
3-6 Removing and Installing the PCIe/Riser Card .....	37
3-7 Installing the Mezzanine Card .....	40
3-7-1 Installing the OCP 3.0 Mezzanine Card .....	40
3-7-2 Installing the OCP 2.0 Mezzanine Card .....	41
3-8 Removing and Installing the Hard Disk Drive .....	42
3-8-1 R282-Z90 .....	42
3-8-2 R282-Z91 and R282-Z92 .....	44
3-9 Installing and Removing an M.2 Device .....	45
3-10 Replacing the Fan Assembly .....	46
3-11 Removing and Installing the Power Supply .....	47
3-12 Cable Routing .....	48
3-12-1 Cable Routing for R282-Z90 .....	48

3-12-2	Cable Routing for R282-Z91.....	52
3-12-3	Cable Routing for R282-Z92.....	61
<b>Chapter 4</b>	<b>Motherboard Components .....</b>	<b>70</b>
4-1	Motherboard Components .....	70
4-2	Jumper Settings .....	72
<b>Chapter 5</b>	<b>BIOS Setup .....</b>	<b>74</b>
5-1	The Main Menu .....	76
5-2	Advanced Menu .....	79
5-2-1	Trusted Computing.....	80
5-2-2	PSP Firmware Versions.....	81
5-2-3	Legacy Video Select.....	82
5-2-4	AST2500 Super IO Configuration.....	83
5-2-5	S5 RTC Wake Settings.....	85
5-2-6	Serial Port Console Redirection .....	86
5-2-7	CPU Configuration.....	89
5-2-8	PCI Subsystem Settings.....	90
5-2-9	USB Configuration.....	92
5-2-10	NVMe Configuration .....	94
5-2-11	SATA Configuration.....	95
5-2-12	Network Stack Configuration .....	96
5-2-13	AMD Mem Configuration Status.....	97
5-2-14	iSCSI Configuration.....	98
5-2-15	Tls Auth Configuration .....	99
5-2-16	Intel(R) I350 Gigabit Network Connection .....	100
5-2-17	VLAN Configuration.....	102
5-2-18	MAC IPv4 Network Configuration .....	104
5-2-19	MAC IPv6 Network Configuration .....	105
5-3	AMD CBS Menu.....	106
5-3-1	Valhalla Common Options .....	107
5-3-2	DF Common Options.....	110
5-3-3	UMC Common Options .....	113
5-3-4	NBIO Common Options.....	115
5-3-4-1	SMU Common Options.....	117
5-3-5	FCH Common Options .....	119
5-3-6	NTB Common Options .....	122
5-3-7	SOC Miscellaneous Control .....	123
5-4	AMD PBS Option Menu .....	124
5-4-1	RAS.....	125
5-5	Chipset Setup Menu.....	127
5-6	Server Management Menu.....	128

5-6-1	System Event Log .....	130
5-6-2	View FRU Information .....	131
5-6-3	BMC Network Configuration .....	132
5-6-4	IPv6 BMC Network Configuration .....	133
5-7	Security Menu .....	134
5-7-1	Secure Boot .....	135
5-8	Boot Menu .....	137
5-8-1	UEFI NETWORK Drive BBS Priorities .....	139
5-8-2	UEFI Application Boot Priorities .....	140
5-9	Save & Exit Menu .....	141
5-10	BIOS POST Beep code (AMI standard) .....	142
5-10-1	PEI Beep Codes .....	142
5-10-2	DXE Beep Codes .....	142



# Chapter 1 Hardware Installation

## 1-1 Installation Precautions

The motherboard/system contain numerous delicate electronic circuits and components which can become damaged as a result of electrostatic discharge (ESD). Prior to installation, carefully read the service guide and follow these procedures:







- Prior to installation, do not remove or break motherboard S/N (Serial Number) sticker or warranty sticker provided by your dealer. These stickers are required for warranty validation.
- Always remove the AC power by unplugging the power cord from the power outlet before installing or removing the motherboard or other hardware components.
- When connecting hardware components to the internal connectors on the motherboard, make sure they are connected tightly and securely.
- When handling the motherboard, avoid touching any metal leads or connectors.
- It is best to wear an electrostatic discharge (ESD) wrist strap when handling electronic components such as a motherboard, CPU or memory. If you do not have an ESD wrist strap, keep your hands dry and first touch a metal object to eliminate static electricity.
- Prior to installing the motherboard, please have it on top of an antistatic pad or within an electrostatic shielding container.
- Before unplugging the power supply cable from the motherboard, make sure the power supply has been turned off.
- Before turning on the power, make sure the power supply voltage has been set according to the local voltage standard.
- Before using the product, please verify that all cables and power connectors of your hardware components are connected.
- To prevent damage to the motherboard, do not allow screws to come in contact with the motherboard circuit or its components.
- Make sure there are no leftover screws or metal components placed on the motherboard or within the computer casing.
- Do not place the computer system on an uneven surface.
- Do not place the computer system in a high-temperature environment.
- Turning on the computer power during the installation process can lead to damage to system components as well as physical harm to the user.
- If you are uncertain about any installation steps or have a problem related to the use of the product, please consult a certified computer technician.

# 1-2 Product Specifications



**NOTE:**

We reserve the right to make any changes to the product specifications and product-related information without prior notice.

 CPU	<ul style="list-style-type: none"><li>◆ AMD EPYC™ 7003 Series Processors</li><li>◆ AMD EPYC™ 7003 Series processors with AMD 3D V-Cache™ Technology</li><li>◆ AMD EPYC™ 7002 Series Processors</li><li>◆ Dual processor, 7nm technology</li><li>◆ Up to 64 cores, 128 threads per processor</li><li>◆ cTDP up to 280W</li></ul> <p>Note: If only 1 CPU is installed, some PCIe or memory functions might be unavailable.</p>
 Socket	<ul style="list-style-type: none"><li>◆ 2 x LGA 6096</li><li>◆ Socket SP5</li></ul>
 Chipset	<ul style="list-style-type: none"><li>◆ System on Chip</li></ul>
 Memory	<ul style="list-style-type: none"><li>◆ 32 x DIMM slots</li><li>◆ DDR4 memory supported only</li><li>◆ 8-Channel memory architecture</li><li>◆ RDIMM up to 128GB supported</li><li>◆ LRDIMM up to 128GB supported</li><li>◆ 3DS RDIMM/LRDIMM up to 256GB supported</li><li>◆ Memory speed: Up to 3200*/2933 MT/s</li></ul> <p>*Follow BIOS setting and memory QVL if running 3200 MT/s with 2DPC.</p>
 LAN	<p><b>Rear side:</b></p> <ul style="list-style-type: none"><li>◆ 2 x 1Gb/s LAN ports (1 x Intel® I350-AM2)</li><li>◆ Support NCSI function</li><li>◆ 1 x 10/100/1000 management LAN</li></ul>
 Video	<ul style="list-style-type: none"><li>◆ Integrated in Aspeed® AST2500</li><li>- 1 x VGA port</li></ul>



## Expansion Slot

### R282-Z90 & R282-Z91

- ◆ Riser Card CRS2027:
  - 2 x PCIe x8 (Gen4 x8) low-profile slots, from CPU\_1
  
- ◆ Riser Card CRS2033 x 2:
  - 1 x PCIe x16 (Gen4 x16) FHHL slot, from CPU\_0
  - 2 x PCIe x8 (Gen4 x8) FHHL slots, from CPU\_0
  - 1 x PCIe x16 (Gen4 x16) FHHL slot, from CPU\_1
  
- ◆ 1 x OCP 3.0 slot with PCIe Gen4 x16 bandwidth, from CPU\_0
- ◆ Supports NCSI function
  
- ◆ 1 x OCP 2.0 mezzanine slot with PCIe Gen3 x8 bandwidth (Type1, P1, P2), from CPU\_1
- ◆ Supports NCSI function
  
- ◆ 1 x M.2 slot:
  - M-key
  - PCIe Gen3 x4, from CPU\_0
  - Supports 2242/2260/2280/22110 cards
  - CPU TDP is limited to 225W if using M.2 device

### R282-Z92

- ◆ Riser Card CRS2014:
  - 1 x PCIe x16 (Gen4 x16) FHHL slot, from CPU\_1, occupied by CNV3024
  
- ◆ Riser Card CRS2033 x2:
  - 1 x PCIe x16 (Gen4 x16) FHHL slot, from CPU\_0, occupied by CNV3024
  - 1 x PCIe x8 (Gen4 x8) FHHL slot, from CPU\_0, occupied by CNV3022
  - 1 x PCIe x8 (Gen4 x8) FHHL slot, from CPU\_0
  - 1 x PCIe x16 (Gen4 x16) FHHL slot, from CPU\_1, occupied by CNV3024
  - 1 x PCIe x8 (Gen4 x8) FHHL slot, from CPU\_1, occupied by CNV3022
  - 1 x PCIe x8 (Gen4 x8) FHHL slot, from CPU\_1
  
- ◆ 1 x OCP 3.0 slot with PCIe Gen4 x16 bandwidth, from CPU\_0, **occupied by CNVO134**
- ◆ Supports NCSI function
  
- ◆ 1 x OCP 2.0 mezzanine slot with PCIe Gen3 x8 bandwidth (Type1, P1, P2), from CPU\_1, **occupied by CNVO022**
- ◆ Supports NCSI function
  
- ◆ 1 x M.2 slot:
  - M-key
  - PCIe Gen3 x4, from CPU\_0
  - Supports 2242/2260/2280/22110 cards
  - CPU TDP is limited to 225W if using M.2 device



## Storage

### R282-Z90

- ◆ **Front side:** 12 x 3.5"/2.5" SATA/SAS hot-swappable bays  
- (8 x from CPU\_0, 4 x from CPU\_1)
- ◆ **Rear side:** 2 x 2.5" SATA/SAS hot-swappable bays, from CPU\_1
  
- ◆ Front side default configuration supports: 12 x SATA drives or 4 x SATA drives, 8 x SAS drives via SAS HBA

**NOTE:** SAS card is required to support SAS devices.

### R282-Z91

- ◆ **Front side:** 24 x 2.5" SATA/SAS hot-swappable bays, connected to SAS expander
- ◆ **Rear side:** 2 x 2.5" SATA/SAS hot-swappable bays, connected to SAS expander
  
- ◆ Broadcom SAS35x36R expander
- ◆ Bandwidth: SATA 6Gb/s or SAS 12Gb/s per port
  
- ◆ Default configuration supports:
  - ◆ 0 x SAS/SATA drives
  
- ◆ SAS card is required to enable the drives
  
- ◆ Suggested 12Gb/s SAS cards:
  - CRA4448
  - CRA3338

### R282-Z92

- ◆ **Front side:** 24 x 2.5" Gen3 NVMe hot-swappable bays
- ◆ - (12 x from CPU\_0, 12 x from CPU\_1)
- ◆ **Rear side:** 2 x 2.5" SATA/SAS hot-swappable bays, from CPU\_1



## Internal I/O

- ◆ 1 x TPM header



#### Front Panel I/O

- ◆ 2 x USB 3.0
- ◆ 1 x Power button with LED
- ◆ 1 x ID button with LED
- ◆ 1 x NMI button
- ◆ 1 x Reset button
- ◆ 2 x LAN activity LEDs
- ◆ 1 x Storage activity LED
- ◆ 1 x System status LED



#### Rear Panel I/O

- ◆ 2 x USB 3.0
- ◆ 1 x VGA
- ◆ 2 x RJ45
- ◆ 1 x MLAN
- ◆ 1 x ID button with LED



#### Backplane Board

##### **R282-Z90**

- ◆ Speed and bandwidth:
- ◆ **Front side - CBP2005:** SATA 6Gb/s or SAS 12Gb/s
- ◆ **Rear side - CBP2020:** SATA 6Gb/s or SAS 12Gb/s

##### **R282-Z91**

- ◆ Speed and bandwidth:
- ◆ **Front side - CBP2005:** SATA 6Gb/s or SAS 12Gb/s
- ◆ **Rear side - CBP2020:** SATA 6Gb/s or SAS 12Gb/s

##### **R282-Z92**

- ◆ Speed and bandwidth:
- ◆ **Front side - CBP2005:** PCIe Gen3 x4
- ◆ **Rear side - CBP2020:** SATA 6Gb/s or SAS 12Gb/s



#### TPM

- ◆ 1 x TPM header with SPI interface
- **Optional TPM2.0 kit:** CTM010



## System Management

- ◆ Aspeed® AST2500 Baseboard Management Controller
- ◆ GIGABYTE Management Console web interface
  
- ◆ Dashboard
- ◆ HTML5 KVM
- ◆ Sensor Monitor (Voltage, RPM, Temperature, CPU Status ...etc.)
- ◆ Sensor Reading History Data
- ◆ FRU Information
- ◆ SEL Log in Linear Storage / Circular Storage Policy
- ◆ Hardware Inventory
- ◆ Fan Profile
- ◆ System Firewall
- ◆ Power Consumption
- ◆ Power Control
- ◆ LDAP / AD / RADIUS Support
- ◆ Backup & Restore Configuration
- ◆ Remote BIOS/BMC/CPLD Update
- ◆ Event Log Filter
- ◆ User Management
- ◆ Media Redirection Settings
- ◆ PAM Order Settings
- ◆ SSL Settings
- ◆ SMTP Settings

Power Supply

**R282-Z90**

- ◆ Dual 1200W 80 PLUS Platinum redundant power supply
- ◆ AC Input:
  - 100-127V~/ 12.47A, 47-63Hz
  - 200-240V~/ 7.08A, 47-63Hz
- ◆ DC Input:(Only for China):  
240Vdc/ 7A
- ◆ DC Output:
  - Max 1000W/ 100-127V~
  - +12V/ 82A
  - +12Vsb/ 2A
  - Max 1200W/ 200-240V~ or 240Vdc Input
  - +12V/ 98A
  - +12Vsb/ 2A

**NOTE:**Select 1600W power supply if using 280W CPU with full loading configuration.

**R282-Z91 & R282-Z92**

- ◆ 1+1 1600W 80 PLUS Platinum redundant power supplies
- ◆ AC Input:
  - 100-120V~/ 12A, 50/60Hz
  - 200-240V~/ 10A, 50/60Hz
- ◆ DC Input:(Only for China):  
- 240Vdc/ 10A
- ◆ DC Output:
  - Max 1000W/ 100-120V~
  - +12V/ 81.5A
  - +12Vsb/ 2.5A
  - Max 1600W/ 200-240V~ or 240Vdc Input
  - +12V/ 133A
  - +12Vsb/ 2.5A



#### OS Compatibility

- ◆ Citrix Hypervisor 8.2.0 or later
  
- ◆ Red Hat Enterprise Linux 8.3 or later
- ◆ Red Hat Enterprise Linux 9.0 or later
  
- ◆ SUSE Linux Enterprise Server 12 SP5 or later
- ◆ SUSE Linux Enterprise Server 15 SP2 or later
  
- ◆ Ubuntu 18.04.5 LTS or later
- ◆ Ubuntu 20.04 LTS or later
- ◆ Ubuntu 22.04 LTS or later
  
- ◆ VMware ESXi 6.7 Update3 P03 or later
- ◆ VMware ESXi 7.0 Update1 or later
- ◆ VMware ESXi 8.0 or later
  
- ◆ Windows Server 2016 (X2APIC/256T not supported)
- ◆ Windows Server 2019
- ◆ Windows Server 2022



#### System Fans

- ◆ 4 x 80x80x38mm (16,300rpm)



#### Operating Properties

- ◆ Operating temperature: 10°C to 35°C
- ◆ Operating humidity: 8% to 80% (non-condensing)
- ◆ Non-operating temperature: -40°C to 60°C
- ◆ Non-operating humidity: 20% to 95% (non-condensing)



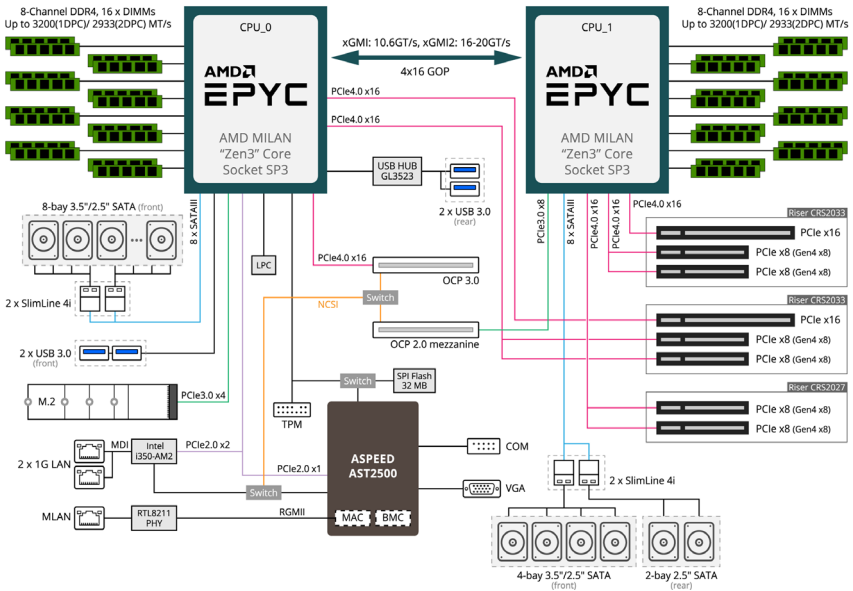
#### System Dimension

- ◆ 2U
- ◆ 438 (W) x 87 (H) x 730 (D) mm

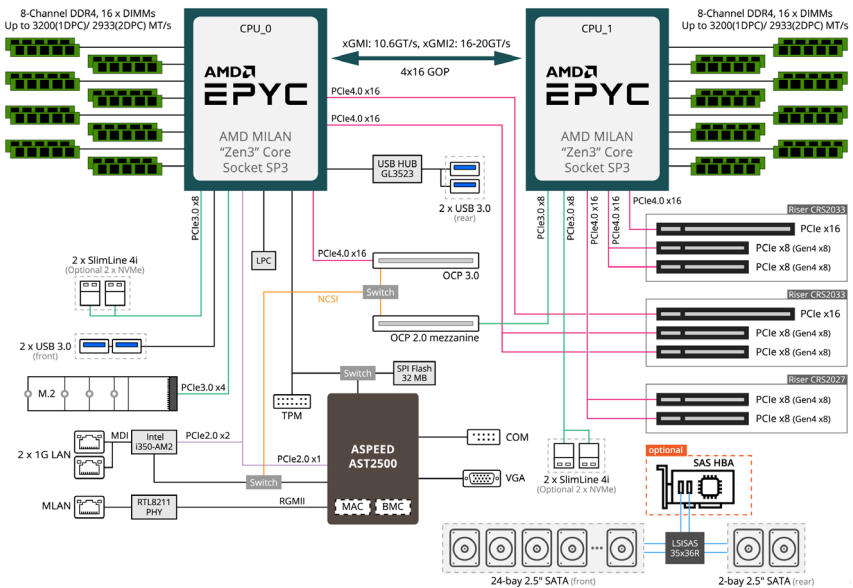


# 1-3 System Block Diagram

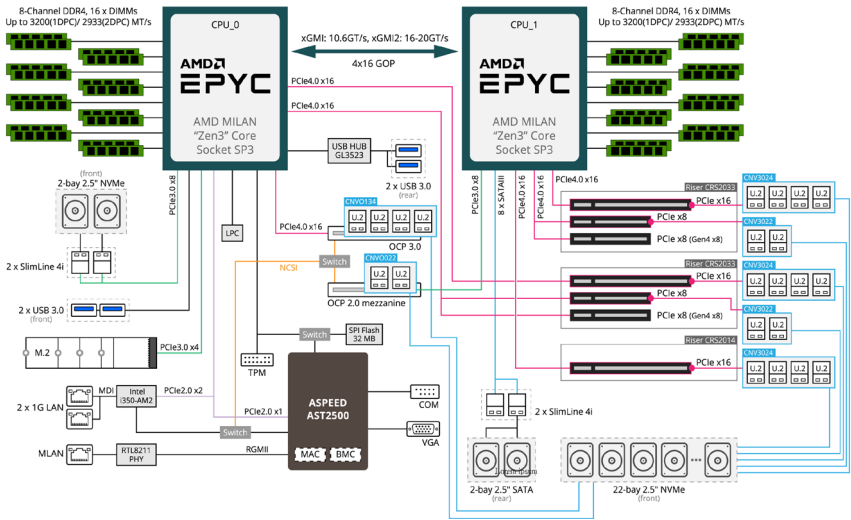
## R282-Z90 System Block Diagram



## R282-Z91 System Block Diagram



# R282-Z92 System Block Diagram

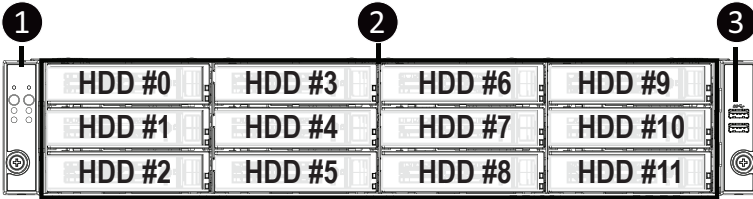


This page intentionally left blank

# Chapter 2 System Appearance

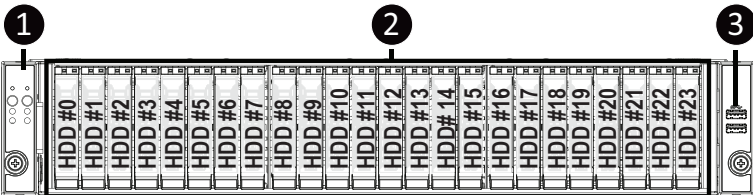
## 2-1 Front View

### 2-1-1 R282-Z90



No.	Description
1.	Front Panel LEDs and Buttons
2.	3.5" HDD Bays
3.	Front USB 3.0 Ports

### 2-1-2 R282-Z91 & R282-Z92

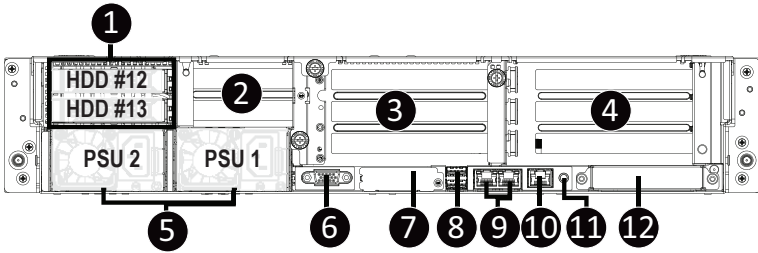


No.	Description
1.	Front Panel LEDs and Buttons
2.	2.5" HDD Bays
3.	Front USB 3.0 Ports
<b>NOTE! The Orange Latch Supports NVMe</b>	



- Refer to section 2-3 **Front Panel LEDs and Buttons** for a detailed description of the function of the LEDs.

## 2-2 Rear View

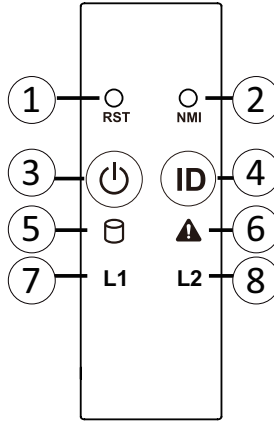


No.	Description	No.	Description
1.	2.5" HDD Bays	7.	Mezzanine Slot (for OCP 2.0 Card, optional)
2.	Low-Profile PCIe Card Slots	8.	USB 3.0 Ports
3.	Full-Height PCIe Card Slots	9.	1 GbE LAN Ports
4.	Full-Height PCIe Card Slots	10.	Server Management LAN Port
5.	Power Supply Units	11.	ID Button with LED
6.	VGA Port	12.	Mezzanine Slot (for OCP 3.0 Card, SFF Type, optional)



- The hard drives are numbered as HDD #12 and #13 for R282-Z90 while for R282-Z91 and R282-Z92 they are HDD #24 and #25.
- Refer to section **2-4 Rear System LAN LEDs** for a detailed description of the function of the LEDs.

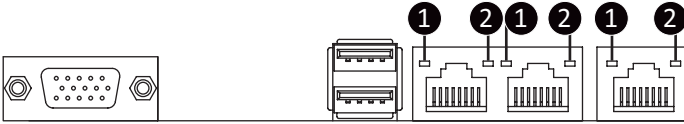
### 2-3 Front Panel LEDs and Buttons



No.	Name	Color	Status	Description
1.	Reset Button	--	--	Press this button to reset the system.
2.	NMI button	--	--	Press this button for the server to generate a NMI to the processor. If multiple-bit ECC errors occur, the server will effectively be halted.
3.	Power button with LED	Green	On	Indicates the system is powered on.
		Green	Blink	System is in ACPI S1 state (sleep mode).
		N/A	Off	- System is not powered on or in ACPI S5 state (power off) - System is in ACPI S4 state (hibernate mode)
4.	ID Button with LED	Blue	On	Indicates the system identification is active.
		N/A	Off	Indicates the system identification is disabled.
5.	HDD Status LED	Green	On	Indicates locating the HDD.
			Blink	Indicates accessing the HDD.
		Amber	On	Indicates HDD error.
		Green/Amber	Blink	Indicates HDD rebuilding.
		N/A	Off	Indicates no HDD access or no HDD error.

<b>6.</b>	System Status LED	Green	On	Indicates system is operating normally.
		Amber	On	Indicates a critical condition, may include: - System fan failure - System temperature
			Blink	Indicates non-critical condition, may include: - Redundant power module failure - Temperature and voltage issue - Chassis intrusion
		N/A	Off	Indicates system is not ready, may include: - POST error - NMI error - Processor or terminator is missing
<b>7/8.</b>	LAN1/2 Active/Link LED	Green	On	Indicates a link between the system and the network or no access.
		Green	Blink	Indicates data transmission or receiving is occurring.
		N/A	Off	Indicates no data transmission or receiving is occurring.

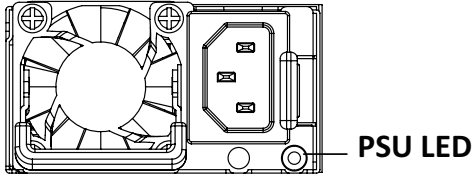
## 2-4 Rear System LAN LEDs



No.	Name	Color	Status	Description
1.	1GbE Speed LED	Yellow	On	1 Gbps data rate
		Green	On	100 Mbps data rate
		N/A	Off	10 Mbps data rate
2.	1GbE Link/ Activity LED	Green	On	Link between system and network or no access
			Blink	Data transmission or receiving is occurring
		N/A	Off	No data transmission or receiving is occurring

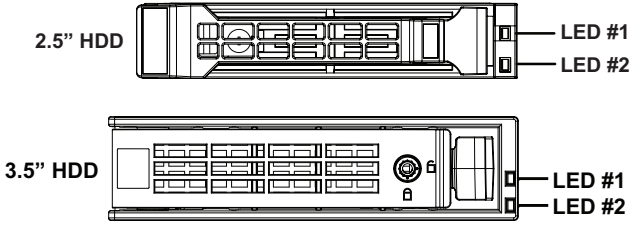


## 2-5 Power Supply Unit LED



State	Description
OFF	No AC power to all power supplies
0.5Hz Green Blinking	AC present / only standby on / Cold redundant mode
1Hz Green Blinking	AC present / only standby on / Cold redundant mode
2Hz Green Blinking	Power supply firmware updateing mode
Amber	AC cord unplugged or AC power lost; with a second power supply in parallel still with AC input power
	Power supply critical event causing shut down: failure, OCP, OVP, fan failure and UVP
0.5Hz Amber Blinking	Power supply warning events where the power supply continues to operate: high temp, high power, high current and slow fan

## 2-6 Hard Disk Drive LEDs



RAID SKU		LED #1	Locate	HDD Fault	Rebuilding	HDD Access	HDD Present (No Access)
No RAID configuration (via HBA)	Disk LED (LED on Back Panel)	Green	ON(*1)	OFF		BLINK (*2)	OFF
		Amber	OFF	OFF		OFF	OFF
	Removed HDD Slot (LED on Back Panel)	Green	ON(*1)	OFF		--	--
		Amber	OFF	OFF		--	--
RAID configuration (via HW RAID Card or SW RAID Card)	Disk LED	Green	ON	OFF		BLINK (*2)	OFF
		Amber	OFF	ON	(Low Speed: 2 Hz)	OFF	OFF
	Removed HDD Slot	Green	ON(*1)	OFF	(*3)	--	--
		Amber	OFF	ON	(*3)	--	--

LED #2	HDD Present	No HDD
Green	ON	OFF

**NOTE:**

\*1: Depends on HBA/Utility Spec.

\*2: Blink cycle depends on HDD's activity signal.

\*3: If HDD is pulled out during rebuilding, the disk status of this HDD is regarded as faulty.

This page intentionally left blank

## Chapter 3 System Hardware Installation



### Pre-installation Instructions

Computer components and electronic circuit boards can be damaged electrostatic discharge. Working on computers that are still connected to a power supply can be extremely dangerous. Follow the simple guidelines below to avoid damage to your computer or injury to yourself.

- Always disconnect the computer from the power outlet whenever you are working inside the computer case.
- If possible, wear a grounded wrist strap when you are working inside the computer case. Alternatively, discharge any static electricity by touching the bare metal system of the computer case, or the bare metal body of any other grounded appliance.
- Hold electronic circuit boards by the edges only. Do not touch the components on the board unless it is necessary to do so. Do not flex or stress the circuit board.
- Leave all components inside the static-proof packaging until you are ready to use the component for the installation.

### 3-1 Removing and Installing the Chassis Cover

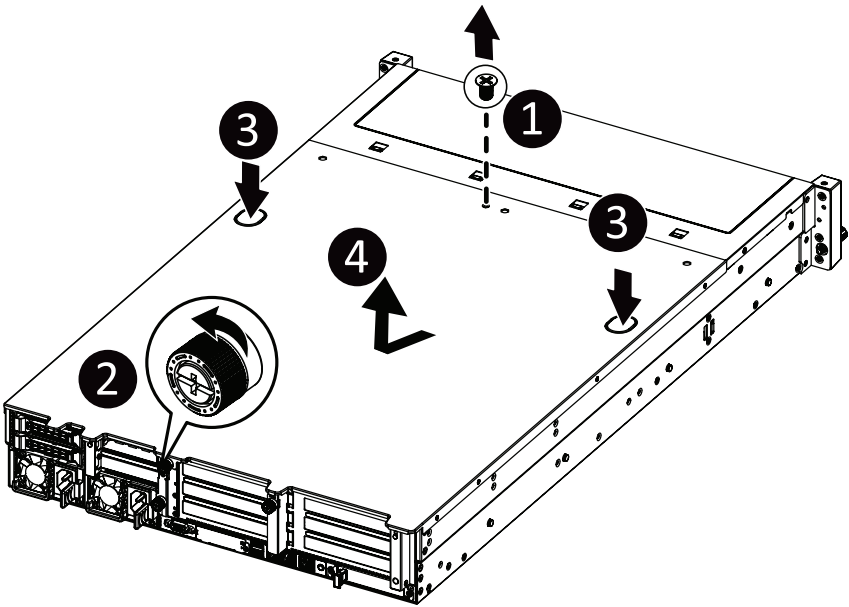


Before you remove or install the system cover

- Make sure the system is not turned on or connected to AC power.

Follow these instructions to remove the chassis cover:

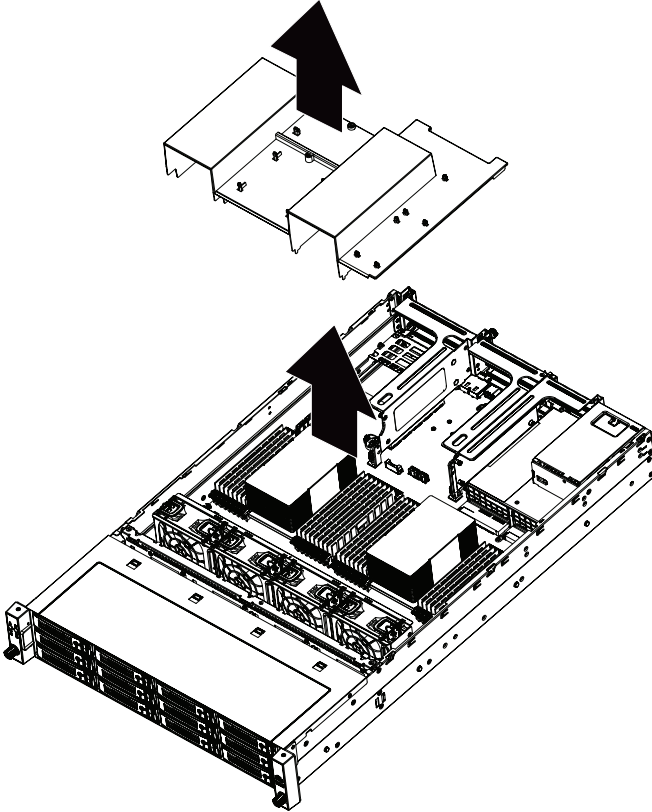
1. Remove the screw securing the chassis cover.
2. Loosen the thumbnail screw securing the chassis cover.
3. Push down on the indentations located on the side of the chassis cover.
4. Slide the chassis cover to the rear of the system and then remove the cover in the direction of the arrow.
5. To reinstall the chassis cover follow steps 1-4 in reverse order.



## 3-2 Removing and Installing the Fan Duct

Follow these instructions to remove the fan duct:

1. Lift up to remove the fan duct.
2. To reinstall the fan duct, align the fan duct with the guiding groove. Push down the fan duct until it is firmly seated on the system.



### 3-3 Removing and Installing the Heat Sink



Read the following guidelines before you begin to install the heat sink:

- Always turn off the computer and unplug the power cord from the power outlet before installing the heat sink to prevent hardware damage.
- Unplug all cables from the power outlets.
- Disconnect all telecommunication cables from their ports.
- Place the system unit on a flat and stable surface.
- Open the system according to the instructions.

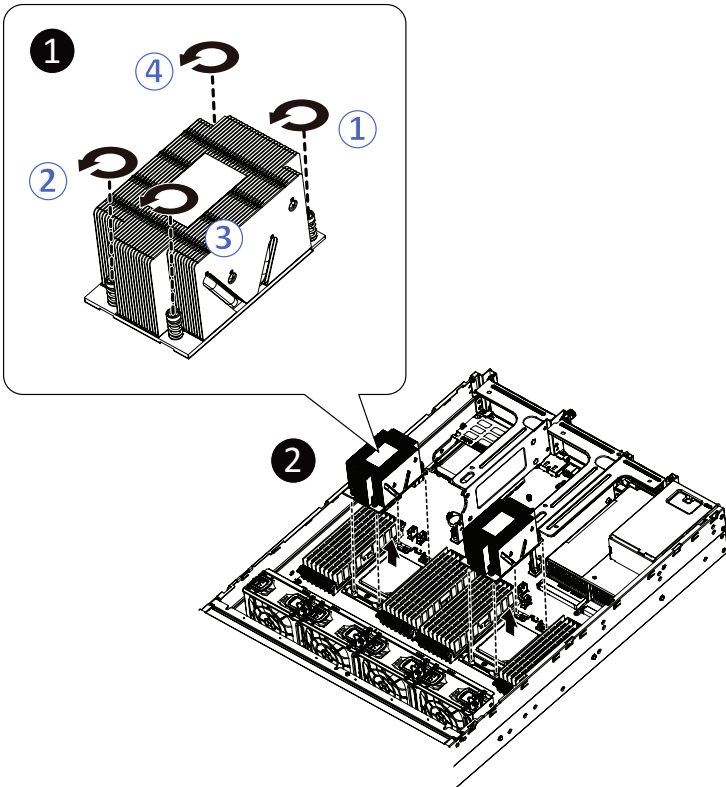


#### **WARNING!**

Failure to turn off the server before you start installing components may cause serious damage. Do not attempt the procedures described in the following sections unless you are a qualified service technician.

#### **Follow these instructions to install the heat sink:**

1. Loosen the screws securing the heat sink in place in reverse order (4→3→2→1).
2. Lift and remove the heat sink from the system.
3. To install the heat sink, reverse steps 1-2 while ensuring that you tighten the captive screws in sequential order (1→2→3→4) as seen in the image below.



### 3-4 Removing and Installing the CPU



Read the following guidelines before you begin to install the CPU:

- Make sure that the motherboard supports the CPU.
- Always turn off the computer and unplug the power cord from the power outlet before installing the CPU to prevent hardware damage.
- Unplug all cables from the power outlets.
- Disconnect all telecommunication cables from their ports.
- Place the system unit on a flat and stable surface.
- Open the system according to the instructions.



#### **WARNING!**

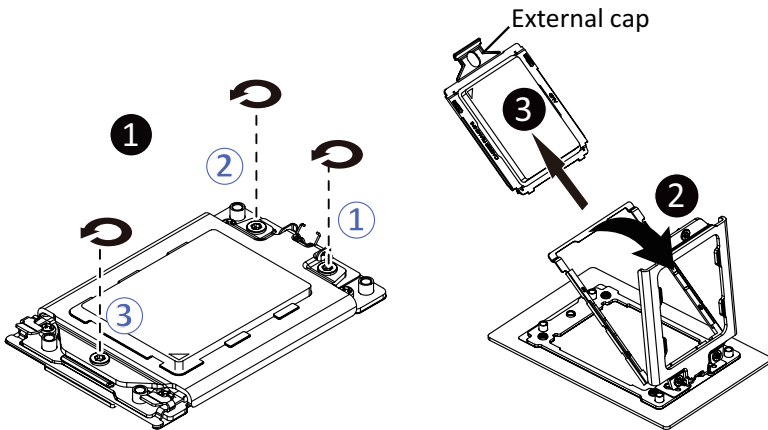
Failure to properly turn off the server before you start installing components may cause serious damage. Do not attempt the procedures described in the following sections unless you are a qualified service technician.

#### **Follow these instructions to install the CPU:**

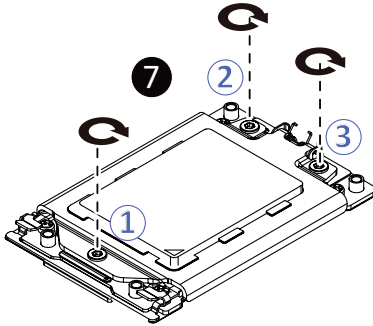
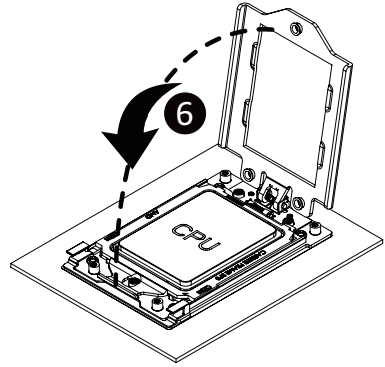
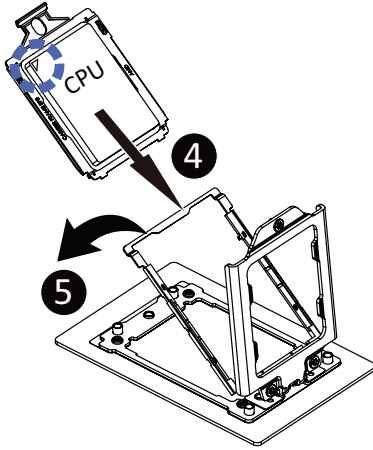
1. Loosen the three captive screws securing the CPU cover in sequential order (1→2→3).
2. Flip open the CPU cover.
3. Remove the CPU carrier from the CPU frame using the handle on the CPU carrier.
4. Using the handle on the CPU carrier insert the new CPU carrier with CPU installed into the CPU frame.

**NOTE:** Ensure the CPU is installed in the CPU carrier in the correct orientation, with the triangle on the CPU aligned to the top left corner of the CPU carrier.

5. Flip the CPU frame with CPU installed into place in the CPU socket.
6. Flip the CPU cover into place over the CPU socket.
7. Tighten the CPU cover screws in sequential order (1→2→3) to secure the CPU cover in place.
8. Repeat steps 1-7 for the second CPU.
9. To remove the CPUs, follow steps 1-7 in reverse order.







- Tighten the CPU cover screws in sequential order (1→2→3).
- The screw tightening torque:  $16.1 \pm 1.2$  kgf-cm ( $14.0 \pm 1.0$  lbf-in)

## 3-5 Removing and Installing Memory

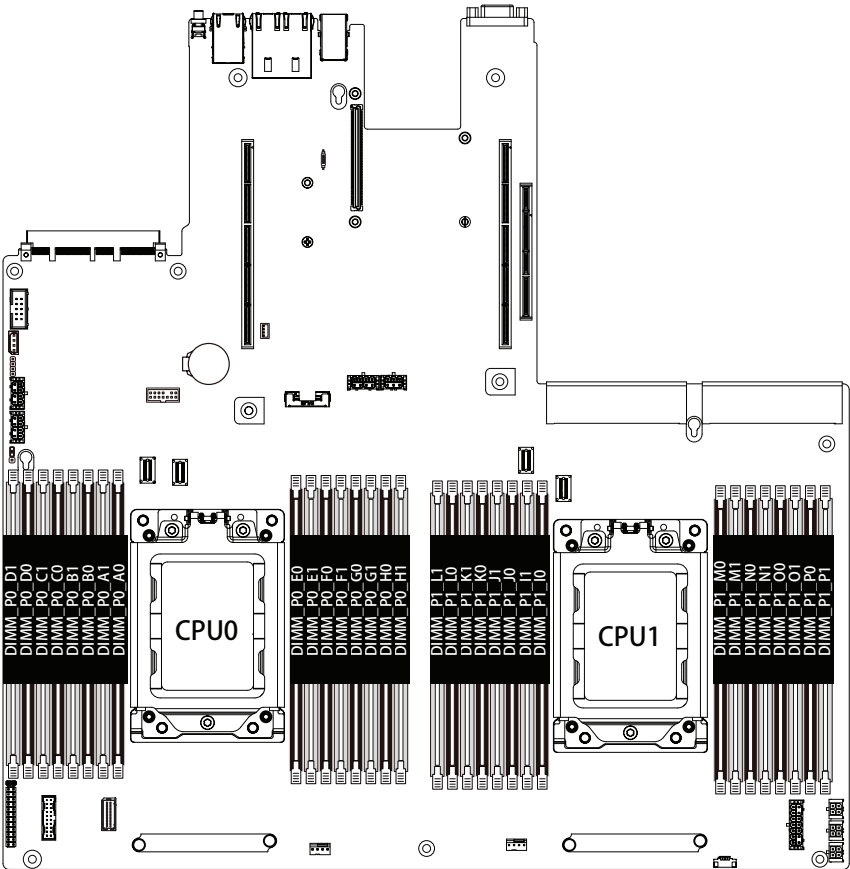


Read the following guidelines before you begin to install the memory:

- Make sure that the motherboard supports the memory. It is recommended that memory of the same capacity, brand, speed, and chips be used.
- Always turn off the computer and unplug the power cord from the power outlet before installing the memory to prevent hardware damage.
- Memory modules have a foolproof design. A memory module can be installed in only one direction. If you are unable to insert the memory, switch the direction.

### 3-5-1 Eight-Channel Memory Configuration

This motherboard provides 32 DDR4 memory sockets and supports Eight Channel Technology. After the memory is installed, the BIOS will automatically detect the specifications and capacity of the memory.



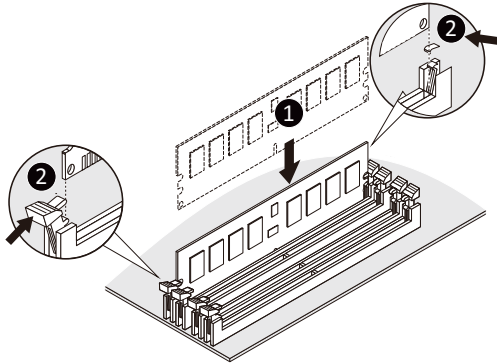
### 3-5-2 Removing and Installing a Memory Module



Before installing a memory module, make sure to turn off the computer and unplug the power cord from the power outlet to prevent damage to the memory module. Be sure to install DDR4 DIMMs on to this motherboard.

Follow these instructions to install a DIMM module:

1. Insert the DIMM memory module vertically into the DIMM slot and push it down.
2. Close the plastic clip at both edges of the DIMM slots to lock the DIMM module.
3. Reverse the installation steps when you want to remove the DIMM module.



### 3-5-3 Processor and Memory Module Matrix Table

Processor and Memory Module Matrix Table																
CPU#	Channel A/I		Channel B/J		Channel C/K		Channel D/L		Channel E/M		Channel F/N		Channel G/O		Channel H/P	
<b>8 DIMMs</b>																
CPU0		A1		B1		C1		D1		E1		F1		G1		H1
<b>16 DIMMs</b>																
CPU0	A0	A1	B0	B1	C0	C1	D0	D1	E0	E1	F0	F1	G0	G1	H0	H1
<b>16 DIMMs</b>																
CPU0		A1		B1		C1		D1		E1		F1		G1		H1
CPU1		I1		J1		K1		L1		M1		N1		O1		P1
<b>32 DIMMs</b>																
CPU0	A0	A1	B0	B1	C0	C1	D0	D1	E0	E1	F0	F1	G0	G1	H0	H1
CPU1	I0	I1	J0	J1	K0	K1	L0	L1	M0	M1	N0	N1	O0	O1	P0	P1

### 3-5-4 DIMM Population Table

#### EPYC Memory Speed based on DIMM Population (One DIMM per Channel)

DIMM Type	DIMM Population		Max EPYC 7003 DDR Frequency (MHz)
	DIMM 0		
RDIMM	1R (1 Rank)		3200
	2R or 2DR (2 Ranks)		3200
LRDIMM	4DR (4 Ranks)		3200
	2S2R (4 Ranks)		3200
	2S4R (8 Ranks)		3200
3DS	2S2R (4 Ranks)		3200
	2S4R (8 Ranks)		3200

#### EPYC Memory Speed based on DIMM Population (Two DIMM per Channel)

DIMM Type	DIMM Population		Max EPYC 7003 DDR Frequency (MHz)
	DIMM 0	DIMM 1	
RDIMM	--	1R	3200
	1R	1R	2933
	--	2R or 2DR	3200
	1R	2R or 2DR	2933
	2R or 2DR	2R or 2DR	2933
LRDIMM	--	4DR	3200
	4DR	4DR	2933
	--	2S2R (4 Ranks)	3200
	--	2S4R (8 Ranks)	3200
	2S2R (4 Ranks)	2S2R (4 Ranks)	2933
	2S4R (8 Ranks)	2S4R (8 Ranks)	2933
3DS	--	2S2R (4 Ranks)	2933
	2S2R (4 Ranks)	2S2R (4 Ranks)	2666
	--	2S4R (8 Ranks)	2933
	2S4R (8 Ranks)	2S4R (8 Ranks)	2666

## 3-6 Removing and Installing the PCIe/Riser Card



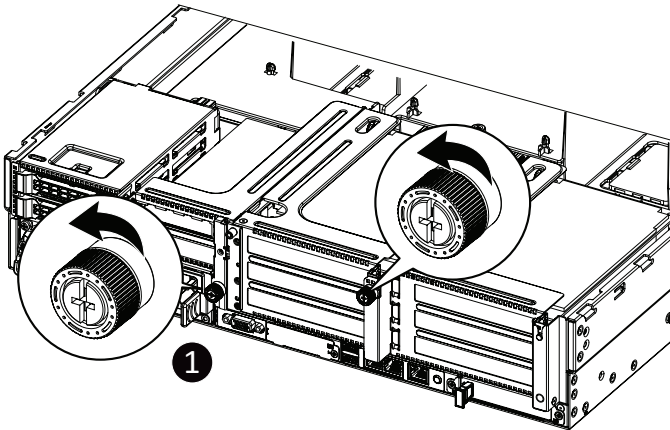
- Voltages can be present within the server whenever an AC power source is connected. This voltage is present even when the main power switch is in the off position. Ensure that the system is powered off and all power sources have been disconnected from the server prior to installing a PCI card.
- Failure to observe these warnings could result in personal injury or damage to equipment.

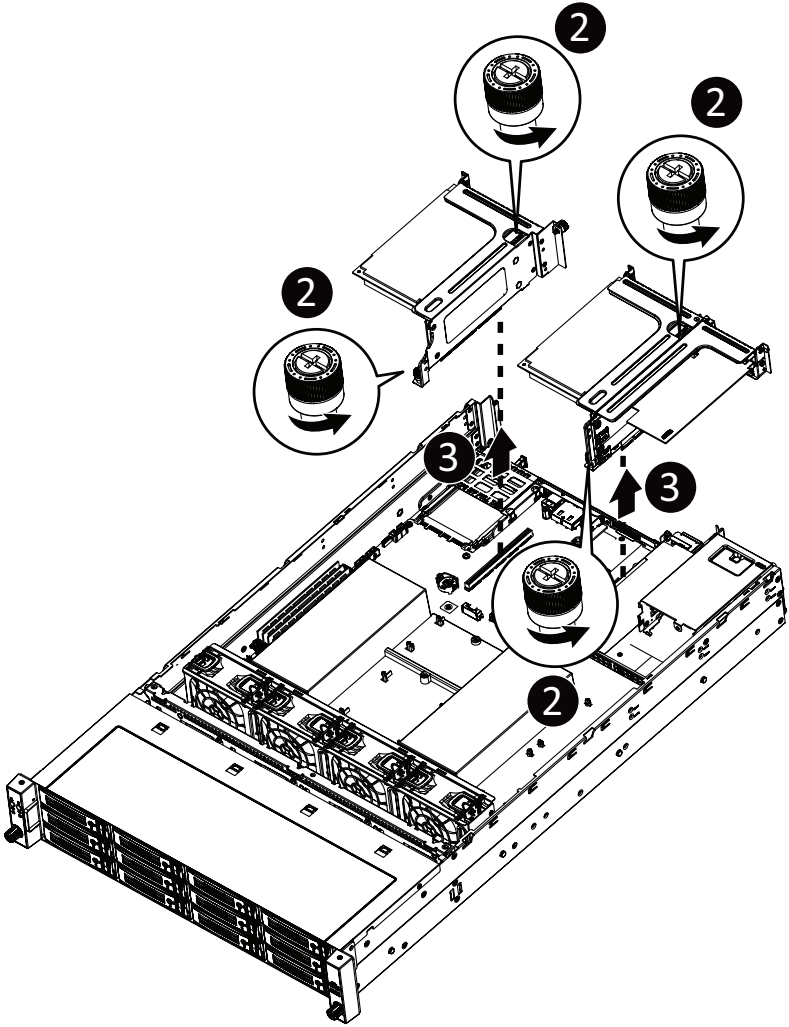


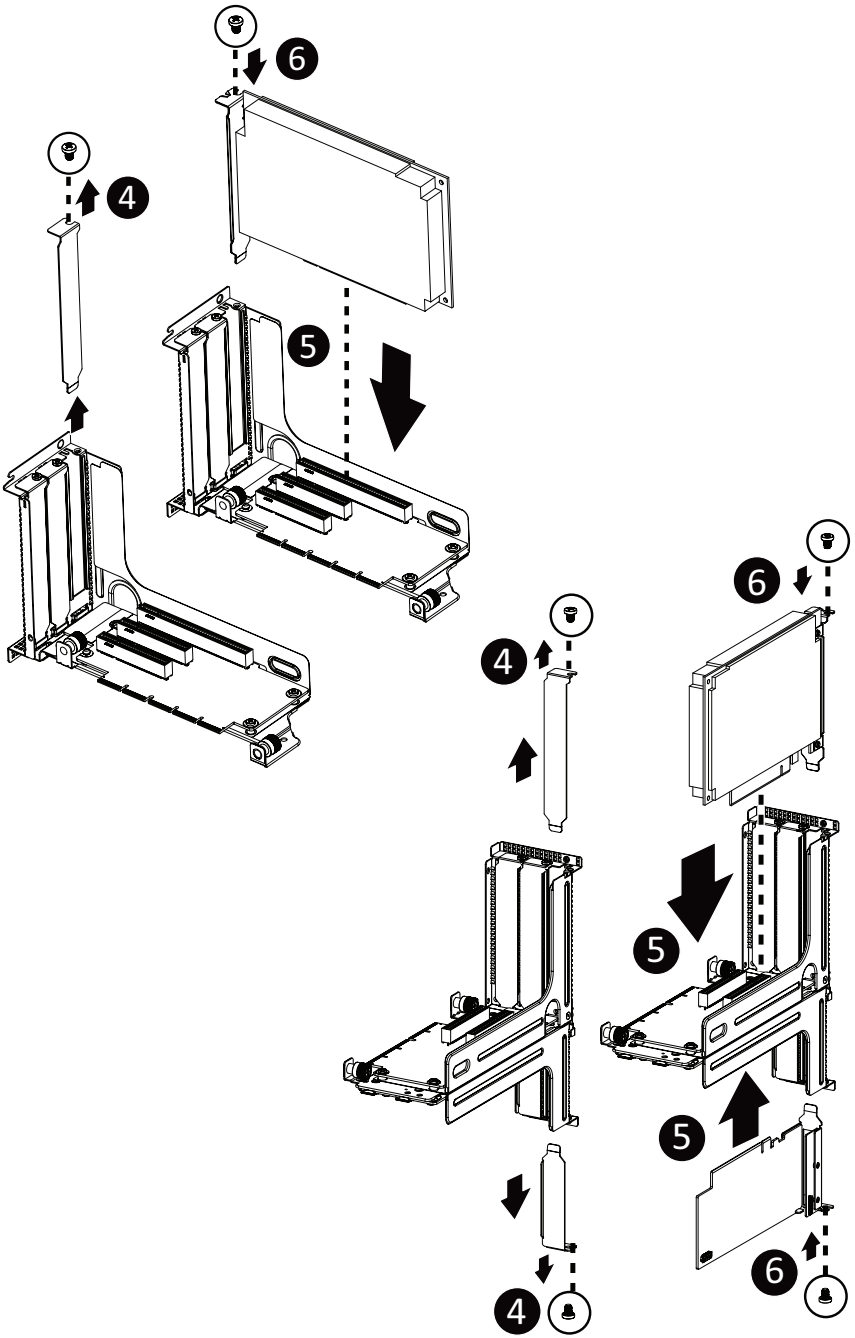
- The PCI riser assembly does not include a riser card or any cabling as standard. To install a PCI card, a riser card must be installed.

### Follow these instructions to install a PCIe card:

1. Loosen the thumbnail screw securing the riser bracket from the rear side of the system.
2. Loosen the two thumbnail screws securing the riser bracket inside the system.
3. Lift up the riser bracket out of system.
4. Remove the screw securing the slot cover from riser bracket.
5. Orient the PCIe card with the riser guide slot and push in the direction of the arrow until the PCIe card sits in the PCI card connector.  
**NOTE:** Some riser brackets allow for single or multiple PCIe cards.  
Repeat steps 4-5 as necessary.
6. Secure the PCIe card with the screw.
7. Repeat steps 1-3 to install the PCIe card into the system.







## 3-7 Installing the Mezzanine Card

### 3-7-1 Installing the OCP 3.0 Mezzanine Card

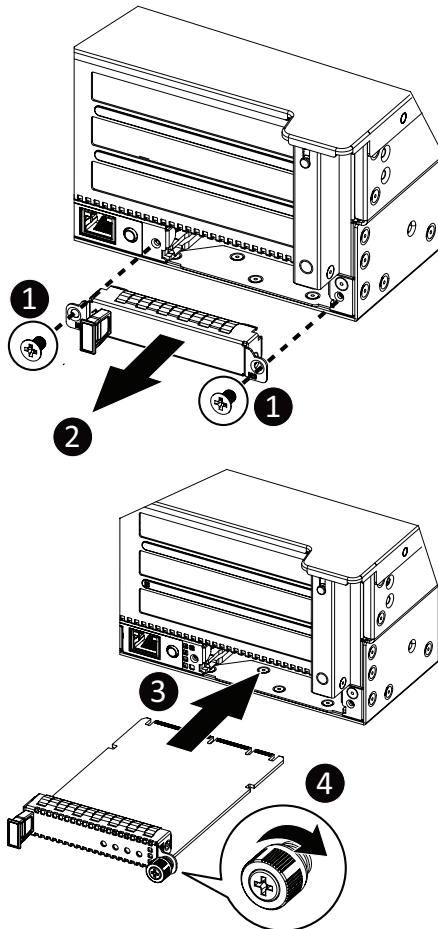


Use of the following type of OCP 3.0 NIC is recommended:

- OCP 3.0 SFF with pull tab
- OCP 3.0 SFF with ejector latch

**Follow these instructions to install an OCP 3.0 Mezzanine card:**

1. Remove the two screws securing the OCP 3.0 card slot cover.
2. Remove the slot cover from the system.
3. Insert the OCP 3.0 card into the card slot ensuring that the card is firmly connected to the connector on the motherboard.
4. Tighten the thumbnail screw to secure the OCP 3.0 card in place.
5. Reverse steps 3-4 to replace the OCP 3.0 card.

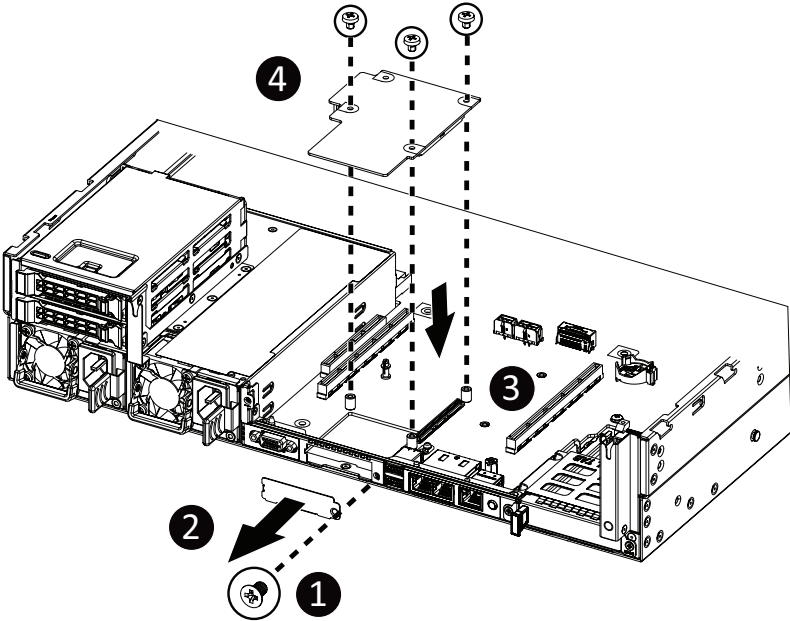




### 3-7-2 Installing the OCP 2.0 Mezzanine Card

Follow these instructions to install an OCP 2.0 Mezzanine card:

1. Remove the screw securing the OCP 2.0 card slot cover.
2. Remove the slot cover from the system.
3. Align the screw holes on the OCP 2.0 card with the heads of the stand-off screws ensuring that the ports on the card are properly fitted into the rear panel of the system.
4. Press down on the OCP 2.0 card so that the connector on the card is firmly connected to the connector on the motherboard and then secure three screws on the card.
5. Reverse steps 3-4 to replace the OCP 2.0 card.



## 3-8 Removing and Installing the Hard Disk Drive

### 3-8-1 R282-Z90

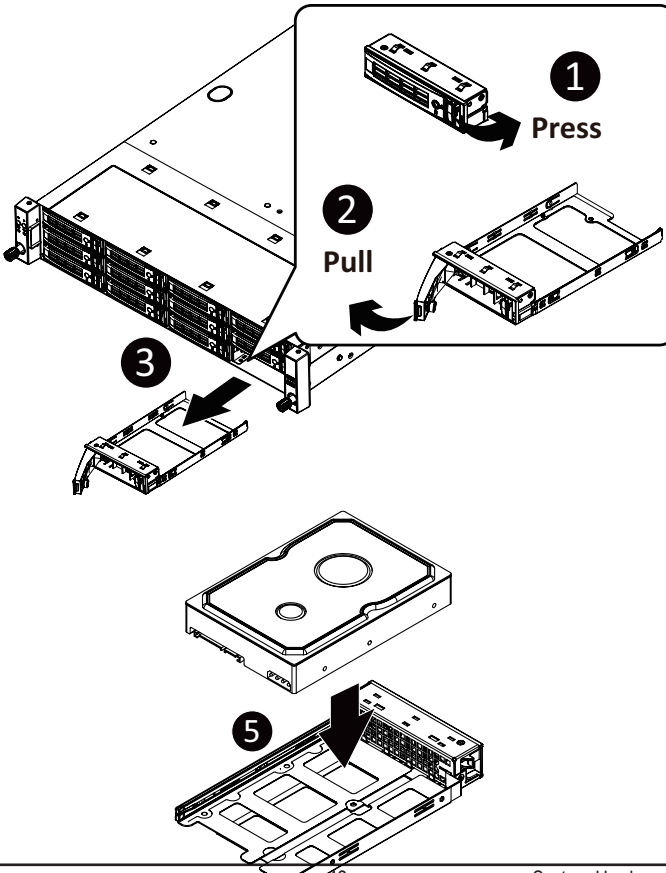


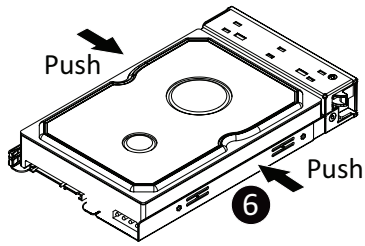
Read the following guidelines before you begin to install the hard disk drive:

- Take note of the HDD tray orientation before sliding it out.
- The tray will not fit back into the bay if it is inserted incorrectly.
- Make sure that the hard disk drive is connected to the connector on the backplane.

**Follow these instructions to install a 3.5" hard disk drive:**

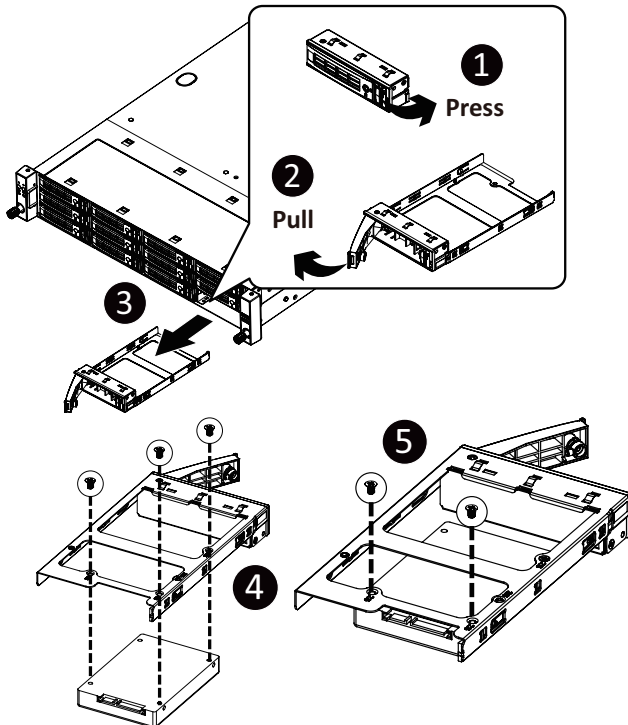
1. Press the release button.
2. Extend the locking lever.
3. Pull the locking lever in the direction indicated to remove the HDD tray.
4. Align the hard disk drive with the positioning stud on the HDD tray.
5. Slide the hard disk drive into the HDD tray.
6. Reinsert the HDD tray into the slot and close the locking lever.





**Follow these instructions to install a 2.5" hard disk drive:**

1. Press the release button.
2. Extend the locking lever.
3. Pull the locking lever in the direction indicated to remove the HDD tray.
4. Align the hard disk drive with the positioning screw on the HDD tray.
5. Secure the hard disk drive with five screws.
6. Reinsert the HDD tray into the slot and close the locking lever.



### 3-8-2 R282-Z91 and R282-Z92

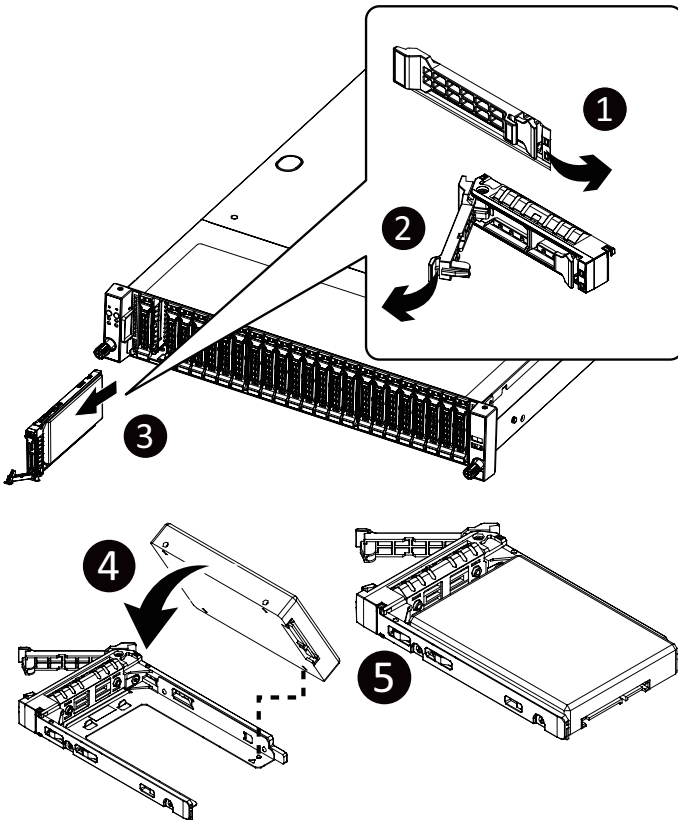


Read the following guidelines before you begin to install the hard disk drive:

- Take note of the HDD tray orientation before sliding it out.
- The tray will not fit back into the bay if it is inserted incorrectly.
- Make sure that the hard disk drive is connected to the connector on the backplane.

**Follow these instructions to install a 2.5" hard disk drive:**

1. Press the release button.
2. Extend the locking lever.
3. Pull the locking lever in the direction indicated to remove the HDD tray.
4. Align the hard disk drive with the positioning screw on the HDD tray.
5. Secure the hard disk drive with five screws.
6. Reinsert the HDD tray into the slot and close the locking lever.



### 3-9 Installing and Removing an M.2 Device



**WARNING:**

Installation of the thermal pad over the M.2 device is required when installing an M.2 device. Lack of the thermal pad may result in system overheating and throttle the system performance.

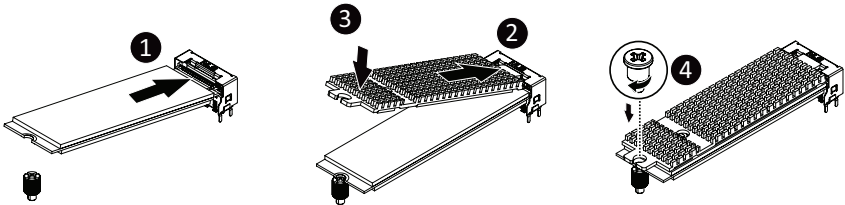


**CAUTION:**

The position of the stand-off screw will depend on the size of the M.2 device. The stand-off screw is pre-installed for 22110 cards as standard. Refer to the size of the M.2 device and change the position of the stand-off screw accordingly.

**Follow these instructions to install an optional M.2 device:**

1. Insert the M.2 device into the M.2 connector.
2. Install the thermal pad of the M.2 device to the M.2 device.
3. Press down on the thermal pad.
4. Secure the M.2 device and its thermal pad to the motherboard with a single screw.
5. Reverse steps 1-4 to remove the M.2 device.



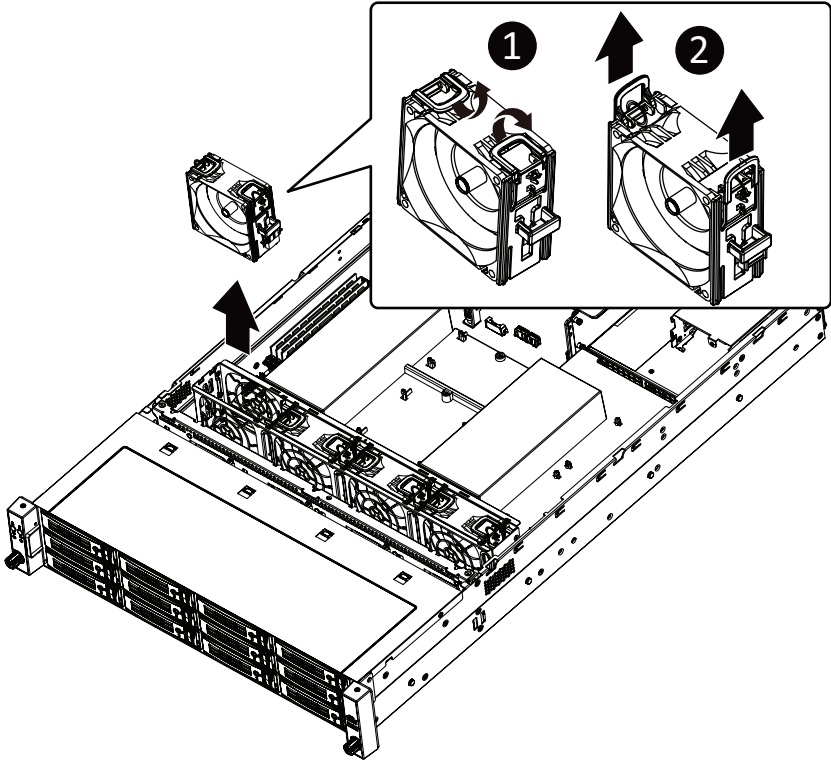
### 3-10 Replacing the Fan Assembly



- The image below shows the system image of R282-Z90. The same process applies to R282-Z91 and R282-Z90.

**Follow these instructions to replace a fan assembly:**

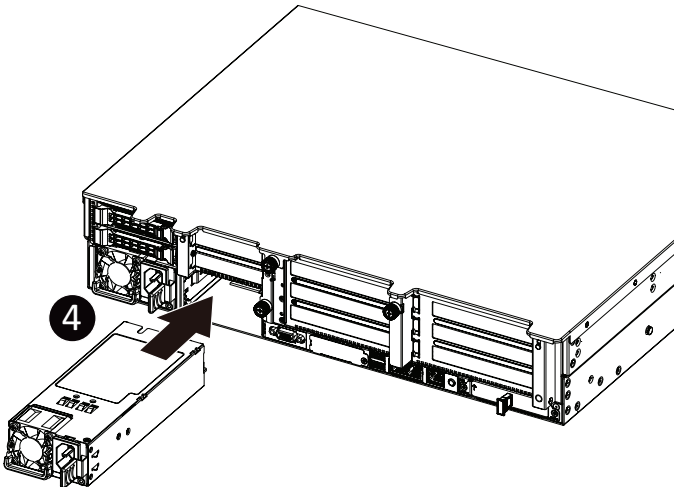
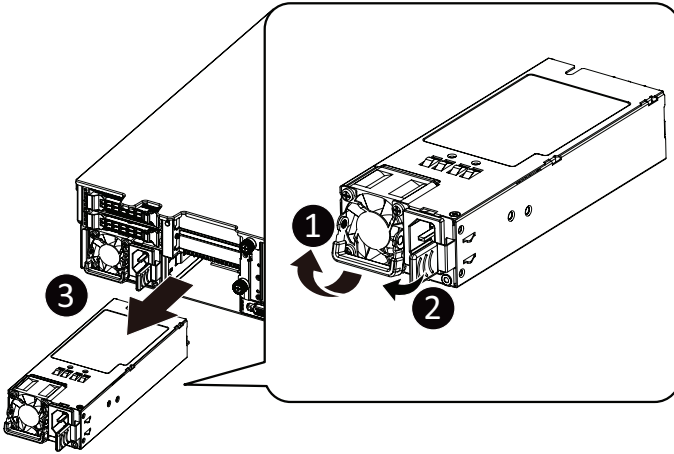
1. Flip the latches on the top of the fan outwards.
2. Using the latches, lift up the fan assembly from the chassis.
3. Reverse the previous steps to install the replacement fan assembly.



## 3-11 Removing and Installing the Power Supply

Follow these instructions to replace the power supply:

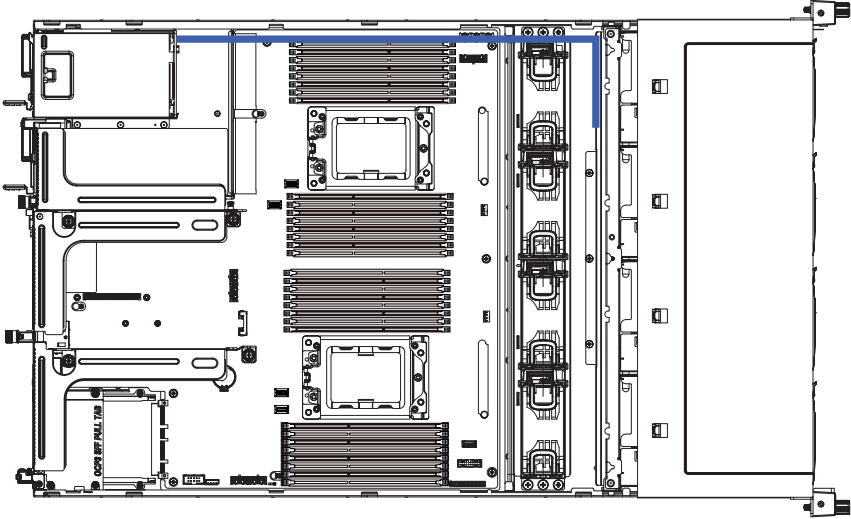
1. Flip up and then grasp the power supply handle.
2. Press the retaining clip on the right side of the power supply unit in the direction indicated.
3. Pull out the power supply unit using the handle.
4. Insert the replacement power supply unit firmly into the chassis. Connect the AC power cord to the replacement power supply.
5. Repeat steps 1-4 for replacement of the second power supply.



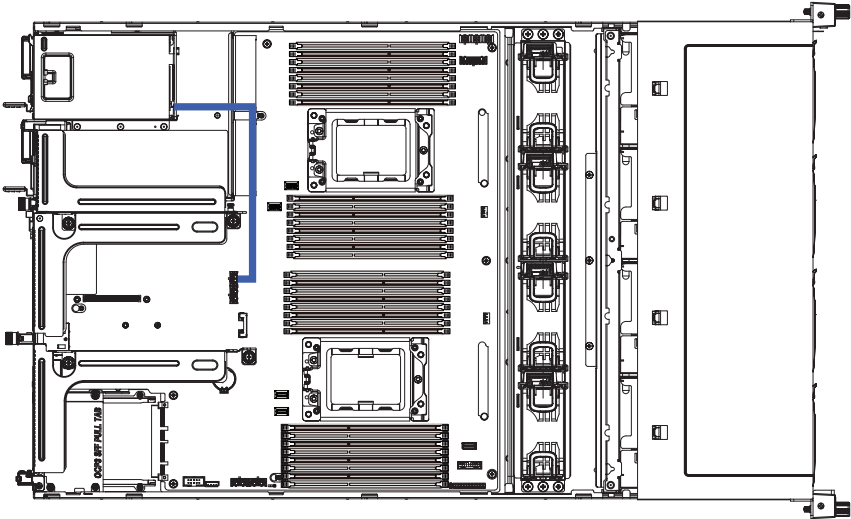
# 3-12 Cable Routing

## 3-12-1 Cable Routing for R282-Z90

### Rear HDD Signal



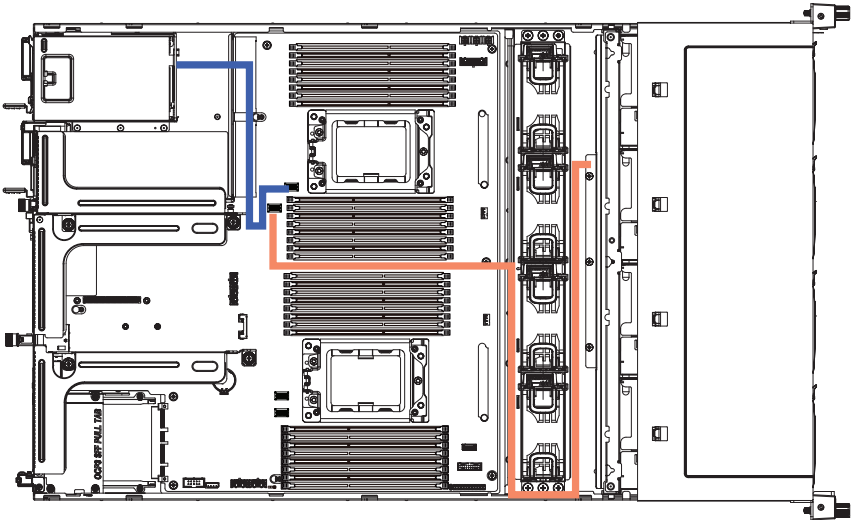
### Rear HDD Backplane Board Power



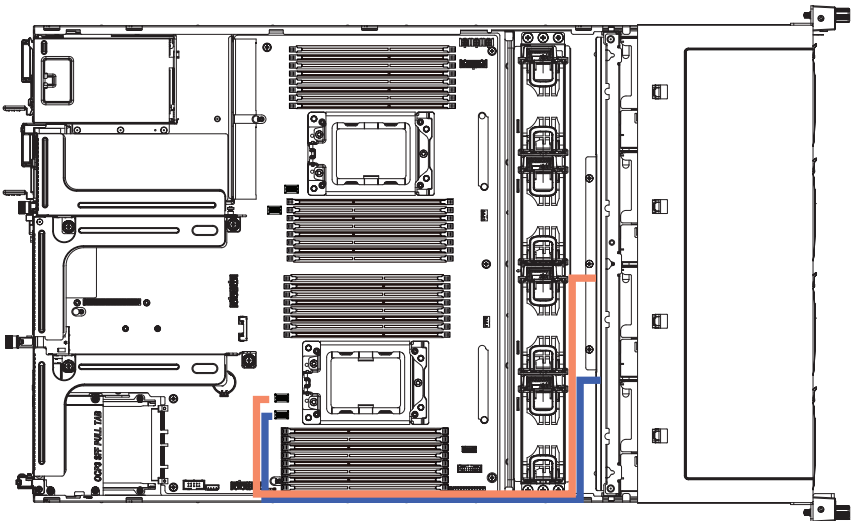


R282-Z90

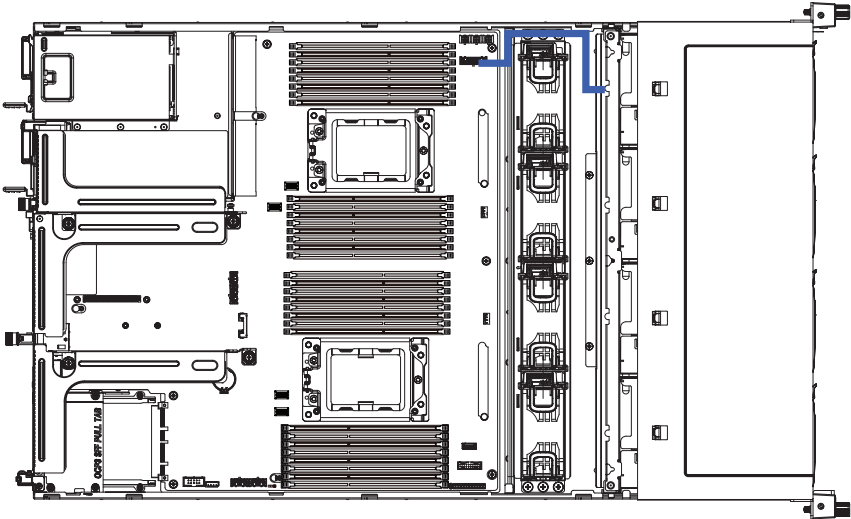
Onboard SATA



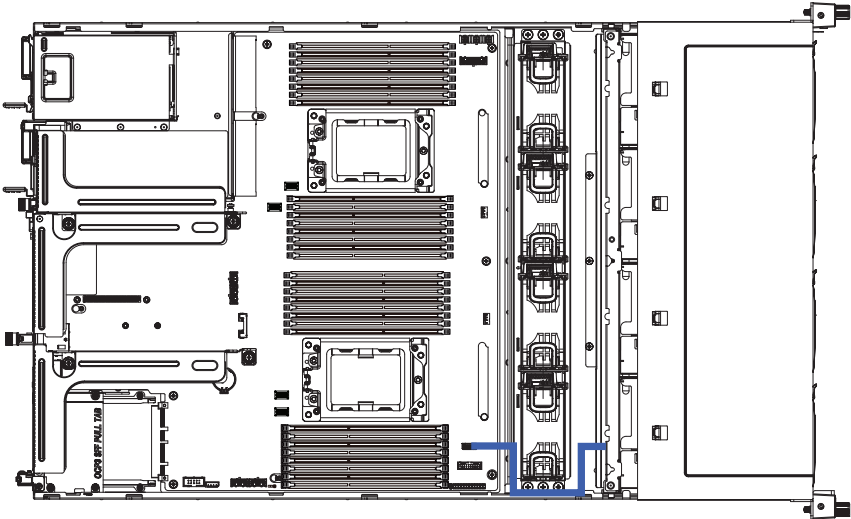
Onboard SATA



HDD Backplane Board Power

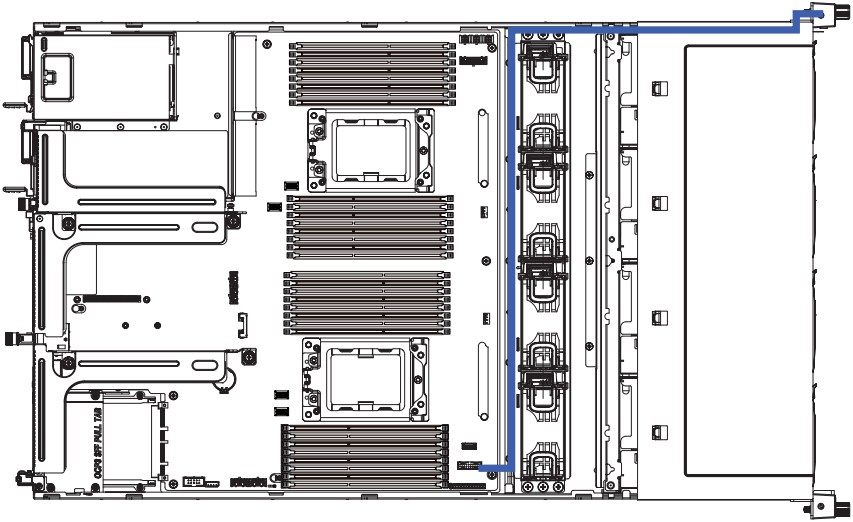


HDD Backplane Board Signal

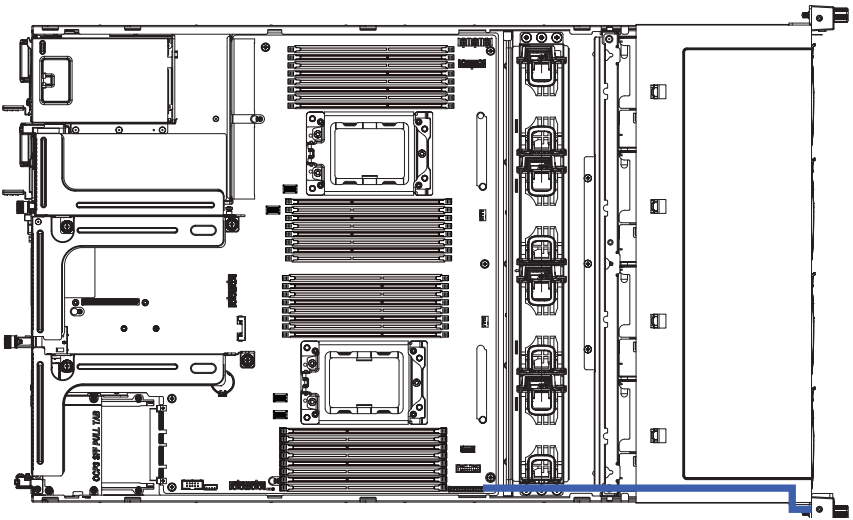


R282-Z90

Front Panel USB 3.0 Ports

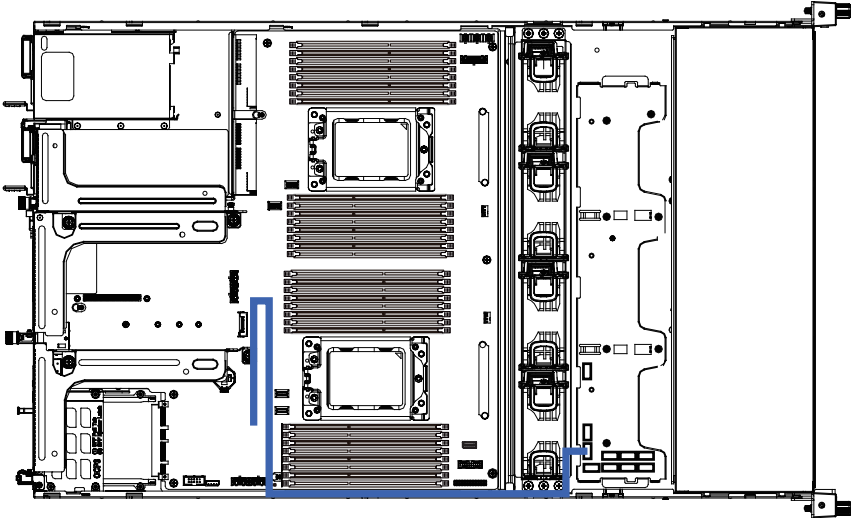


Front Panel LEDs and Buttons

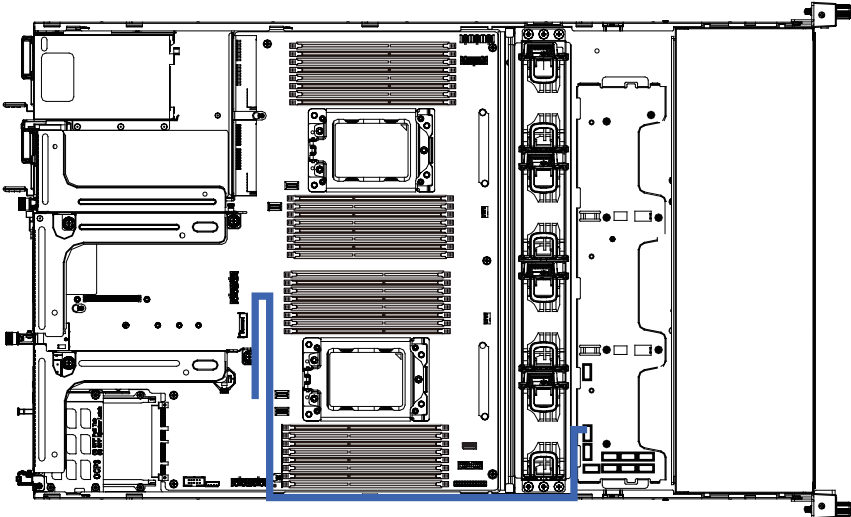


### 3-12-2 Cable Routing for R282-Z91

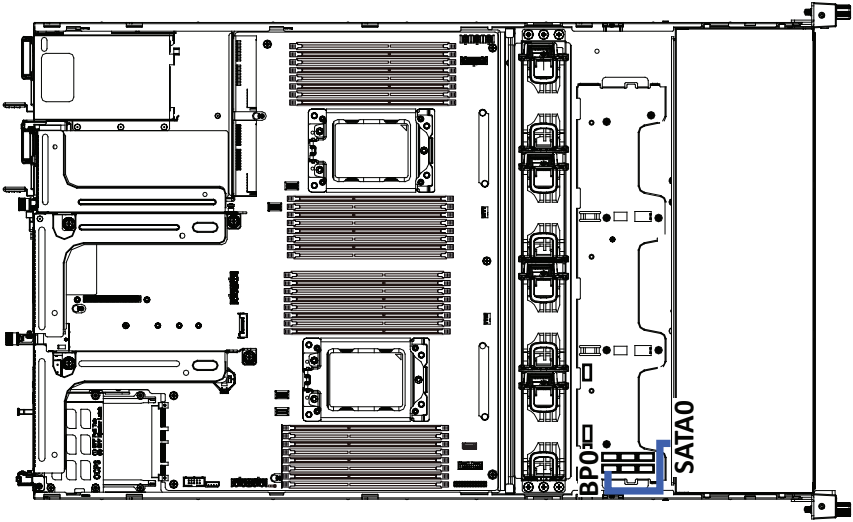
#### SlimLine to Mini-SAS HD Cable #0



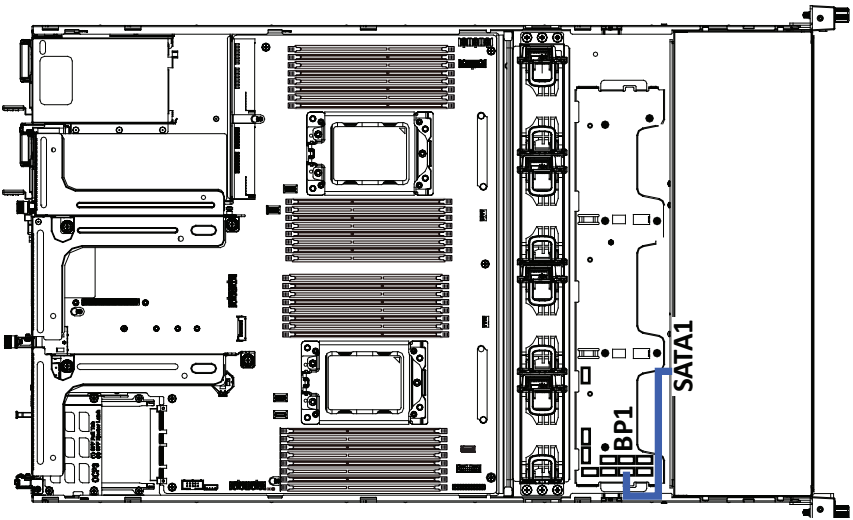
#### SlimLine to Mini-SAS HD Cable #1



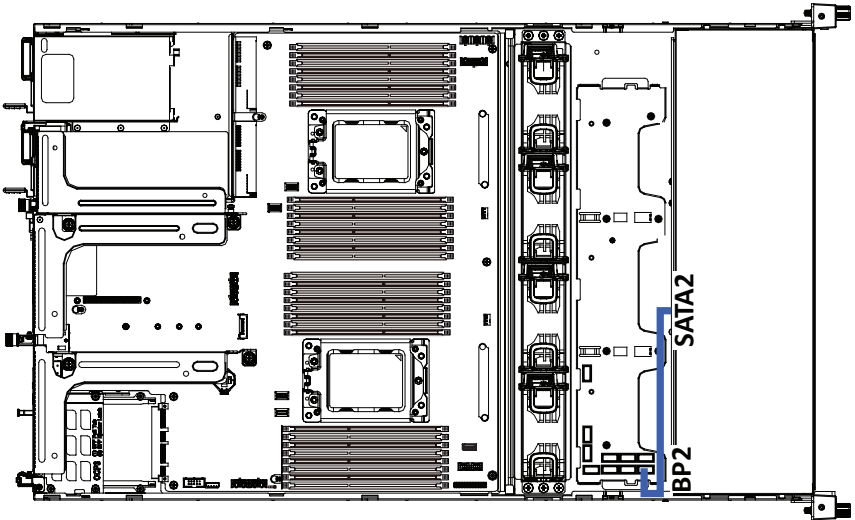
Expander to HDD Backplane Board Cable #0



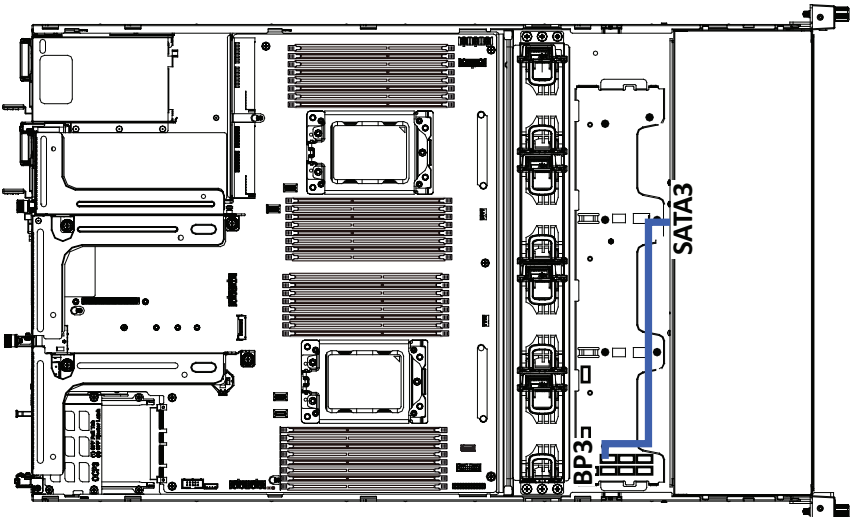
Expander to HDD Backplane Board Cable #1



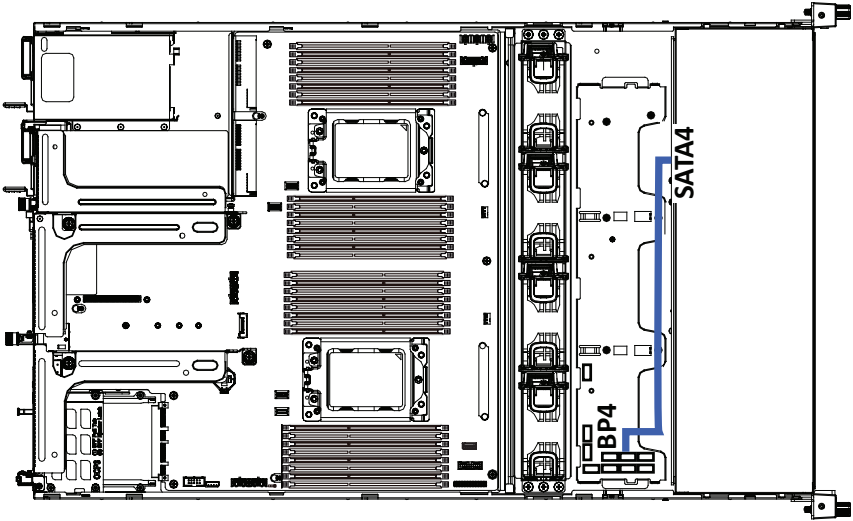
Expander to HDD Backplane Board Cable #2



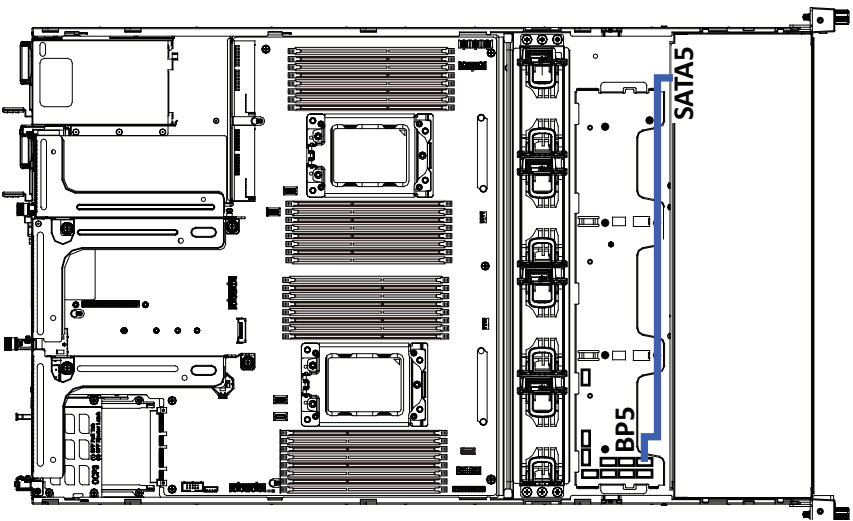
Expander to HDD Backplane Board Cable #3



Expander to HDD Backplane Board Cable #4

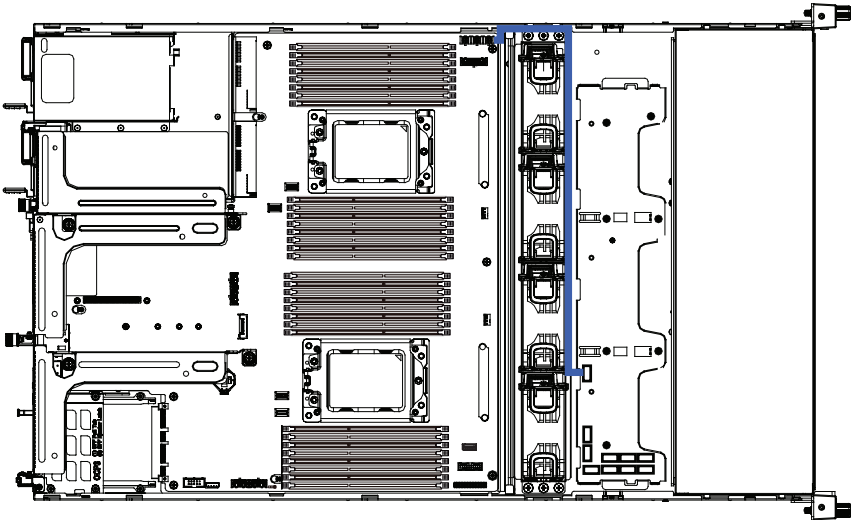


Expander to HDD Backplane Board Cable #5

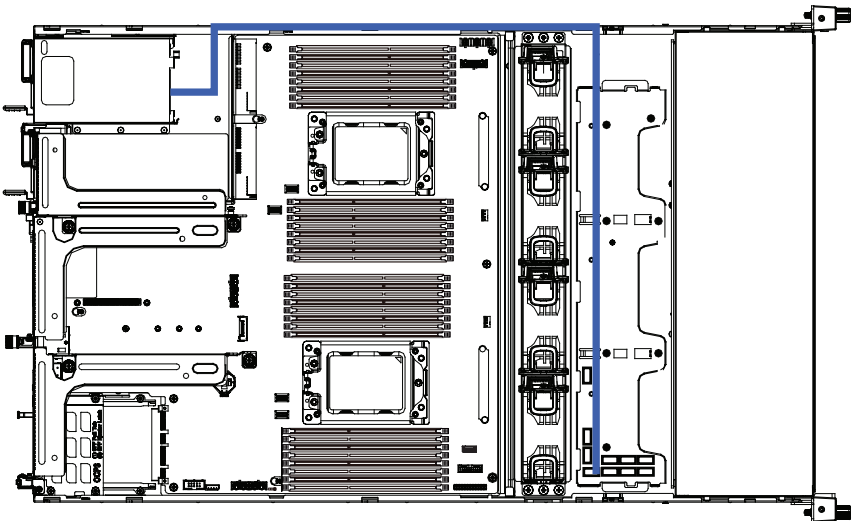


R282-Z91

Expander Power Cable

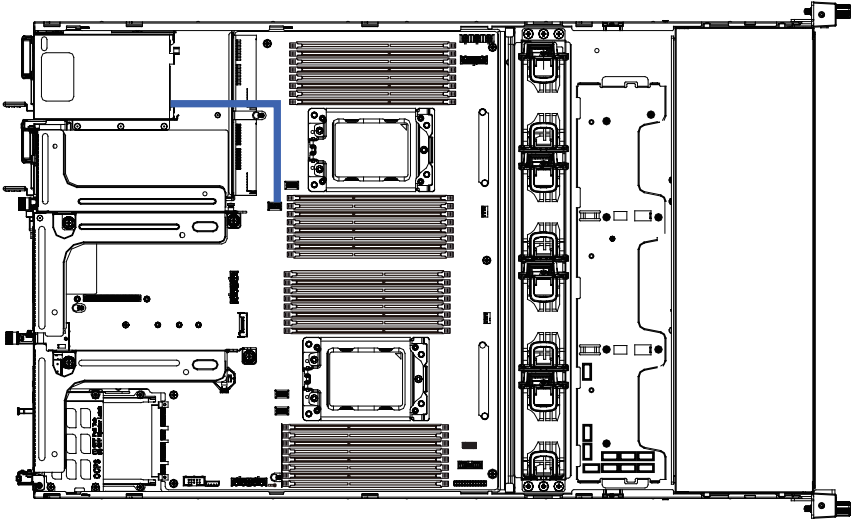


Expander to Rear HDD Backplane Board Cable

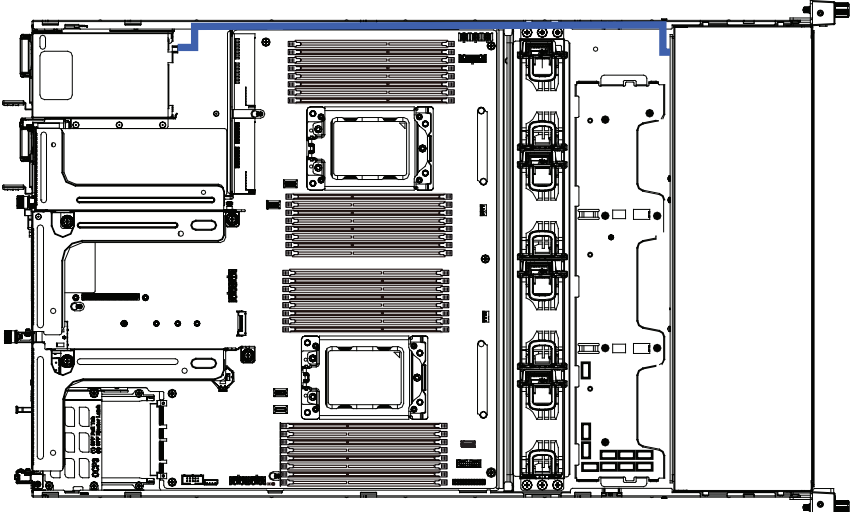




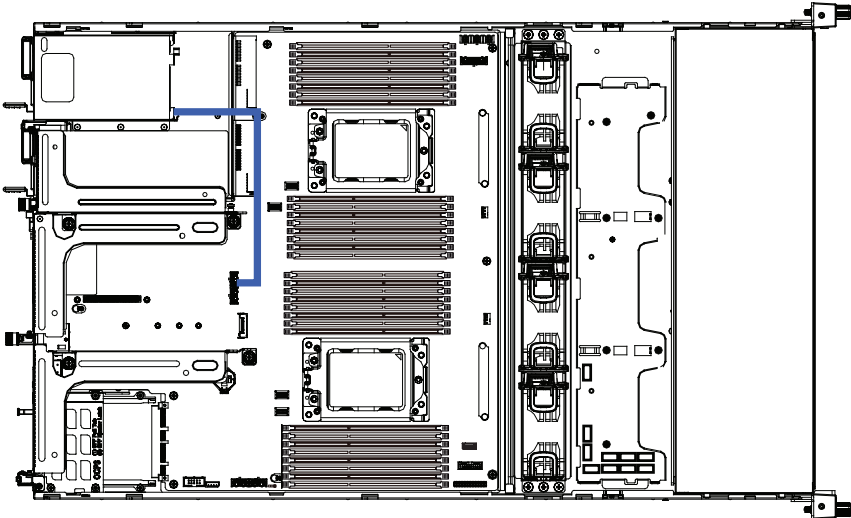
# Onboard SATA



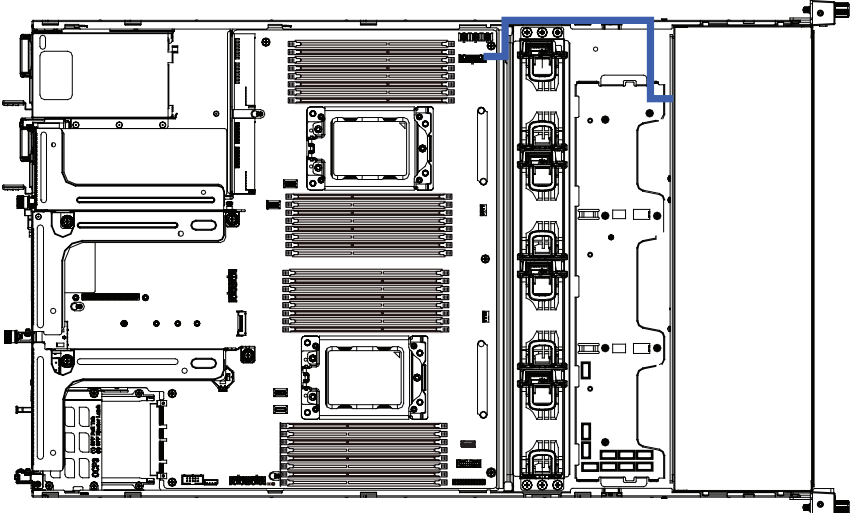
Rear HDD Backplane Board Signal



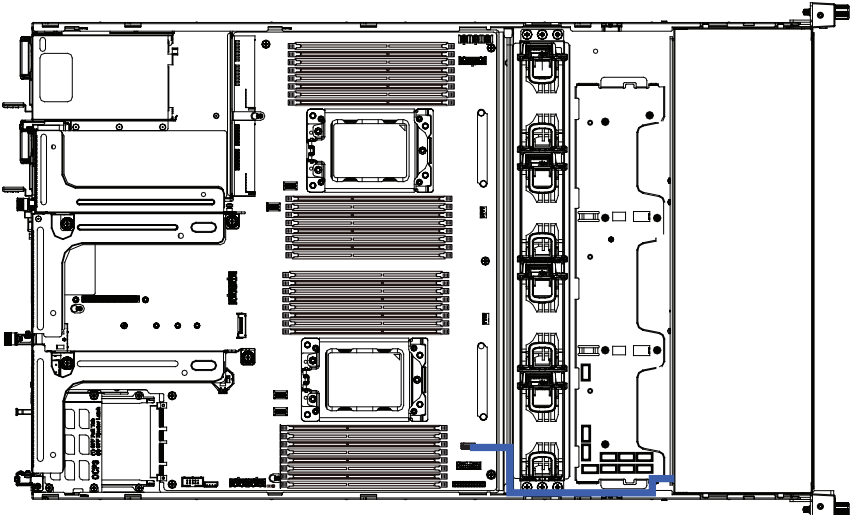
Rear HDD Backplane Power



HDD Backplane Board Power

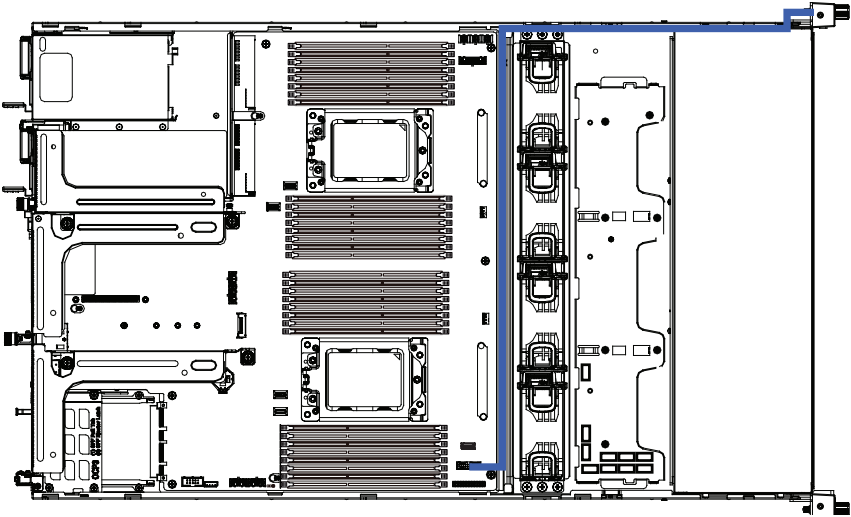


HDD Backplane Board Signal

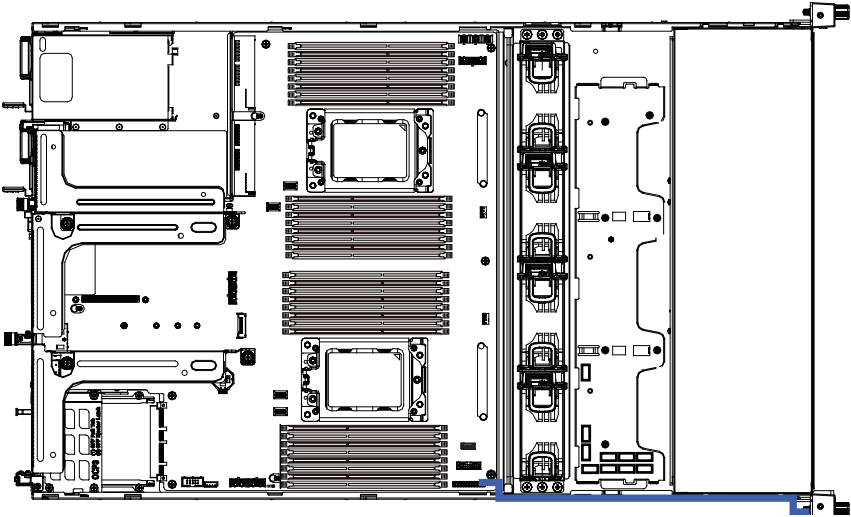


R282-Z91

Front Panel USB 3.0 Ports

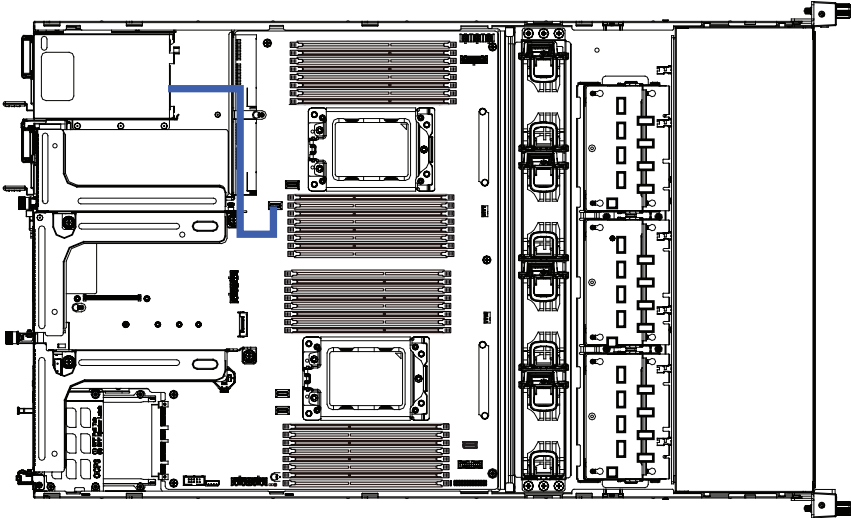


Front Panel LEDs and Buttons

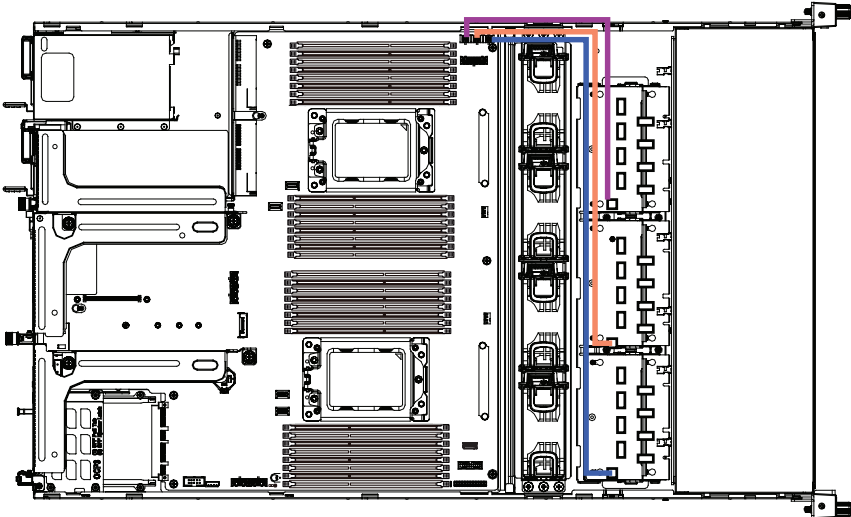


### 3-12-3 Cable Routing for R282-Z92

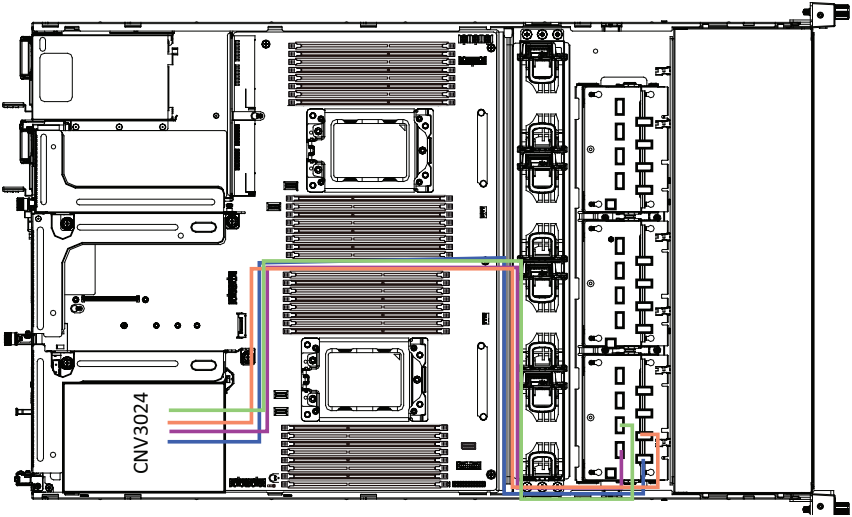
#### Onboard SATA Cable



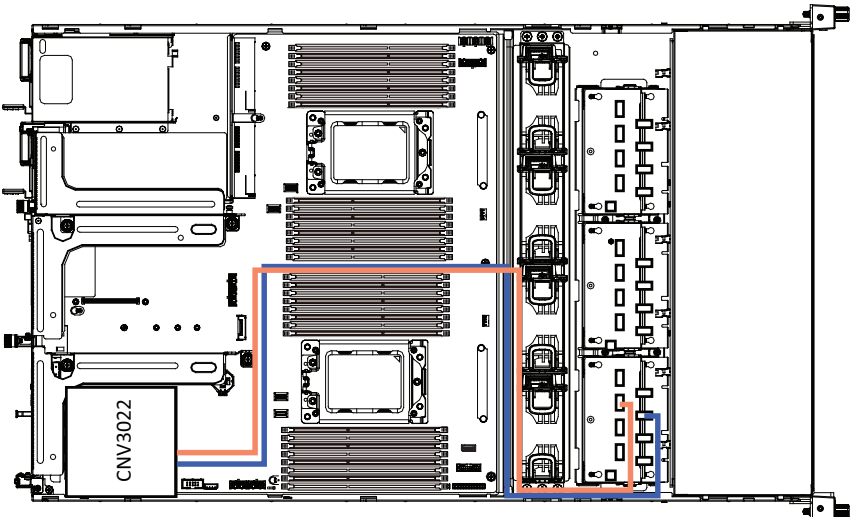
#### NVMe Card Power



NMVe Card #0 - #3

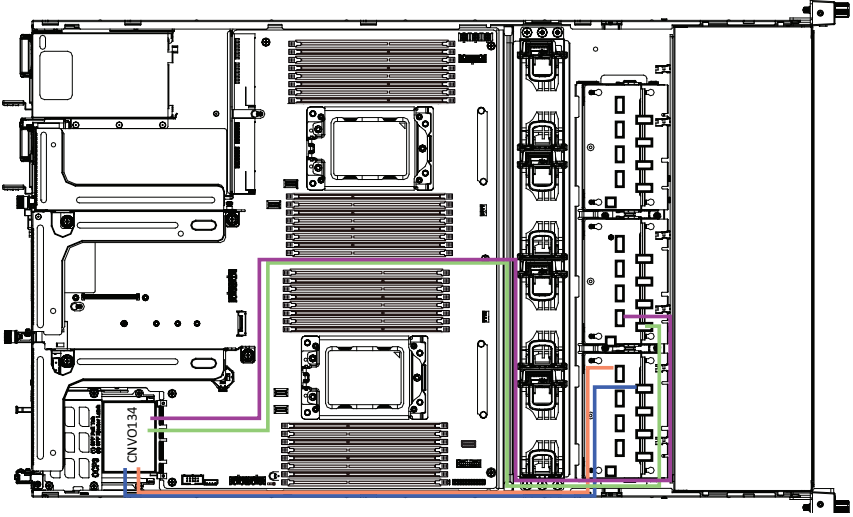


NMVe Card #4 - #5

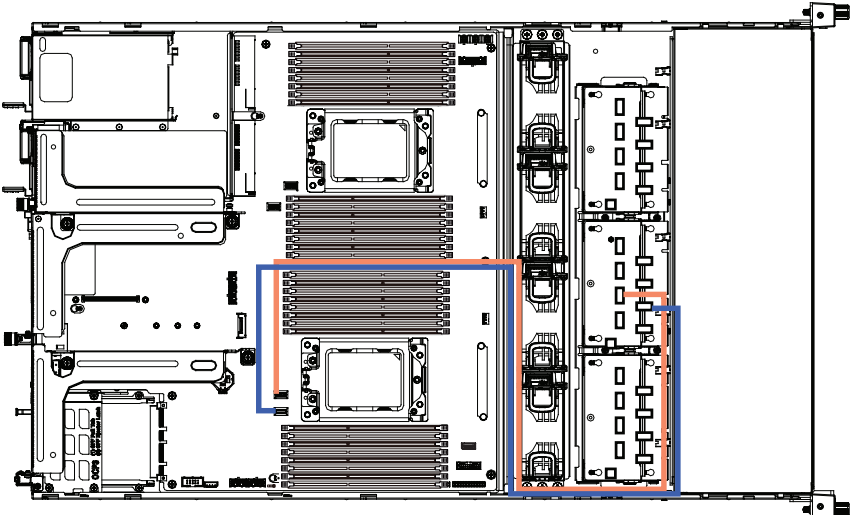


R282-Z92

NMVe Card #6 - #9

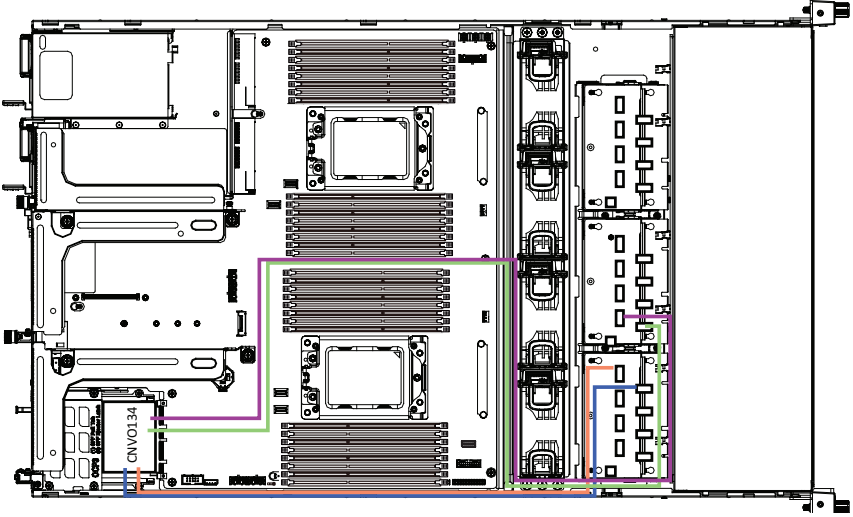


Onboard NMVe Cable #10 - #11

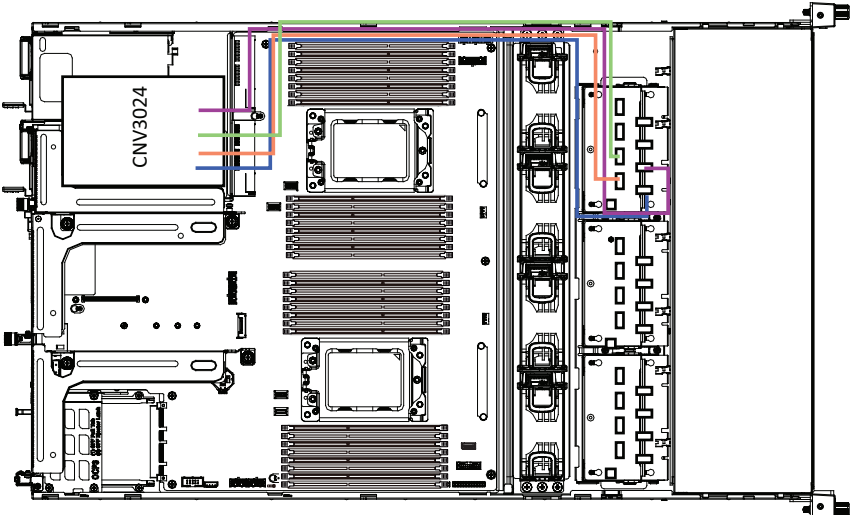


R282-Z92

NMVe Card #12 - #15



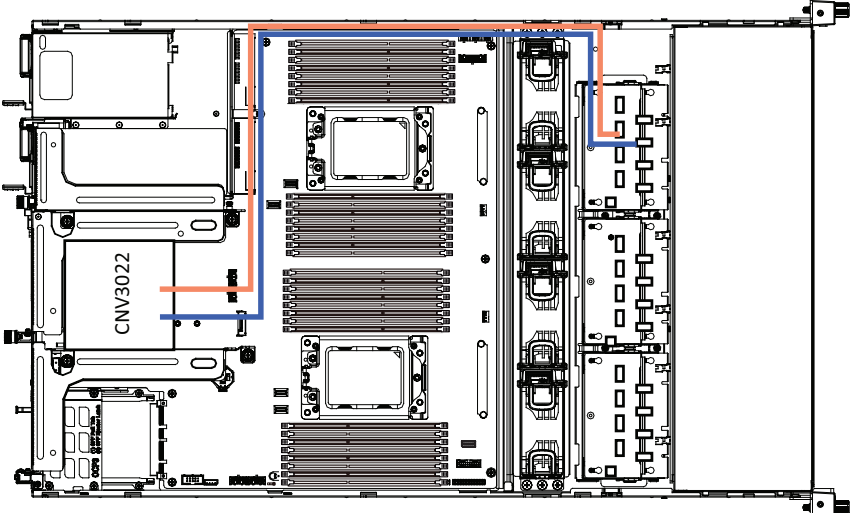
NMVe Card #16 - #19



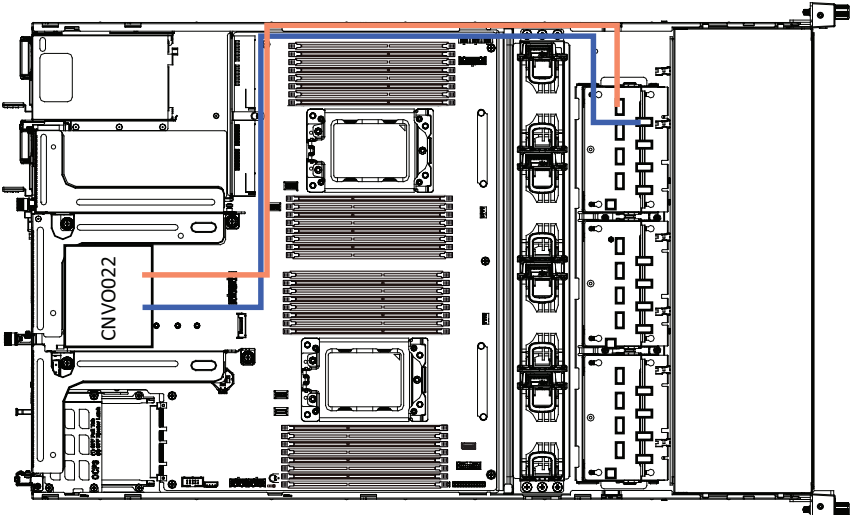


R282-Z92

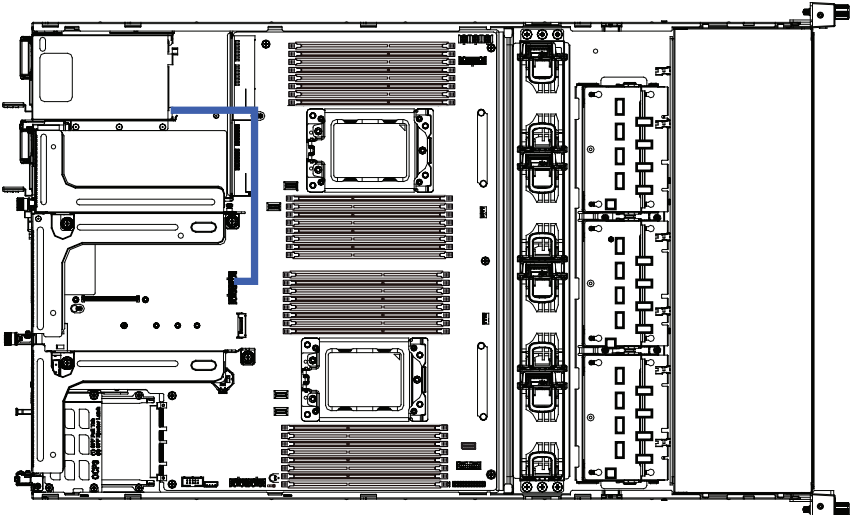
NMVe Card #20 - #21



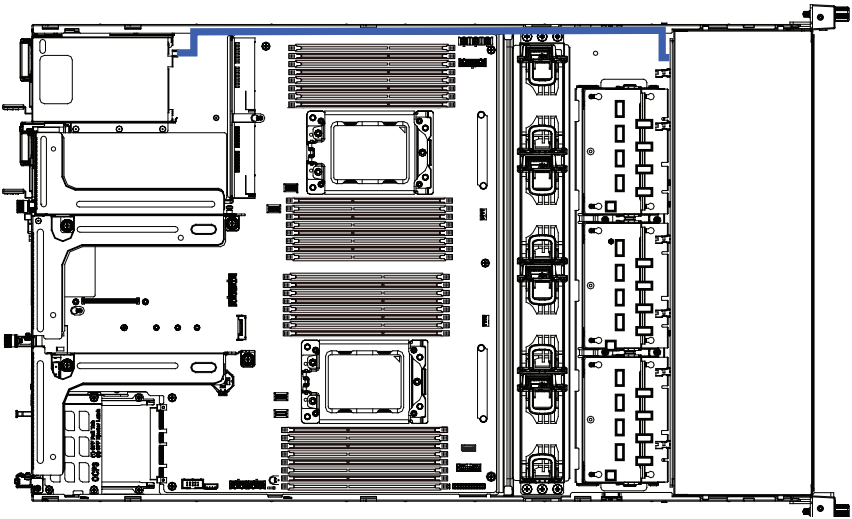
NMVe Card #22 - #23



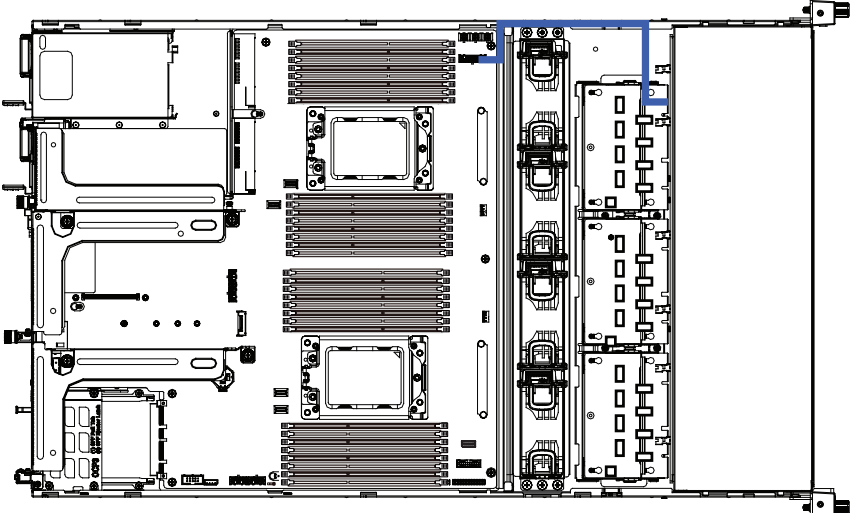
Rear HDD Backplane Board Power



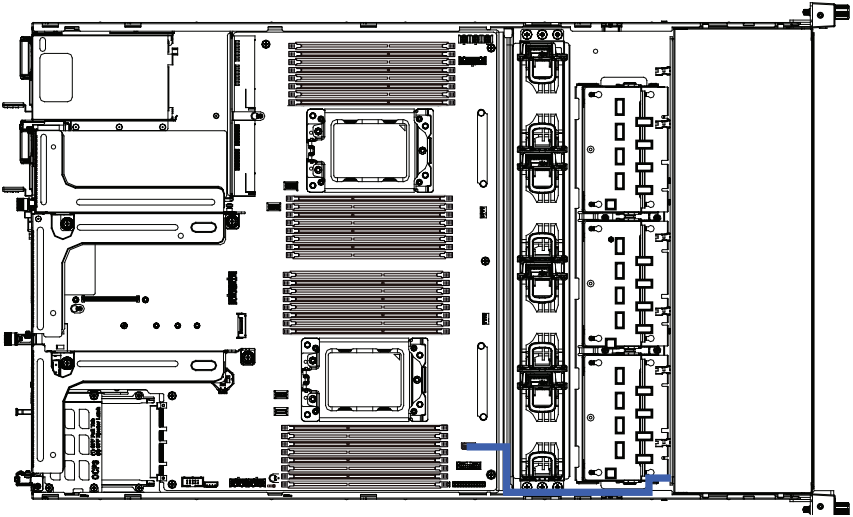
Rear HDD Backplane Board Signal



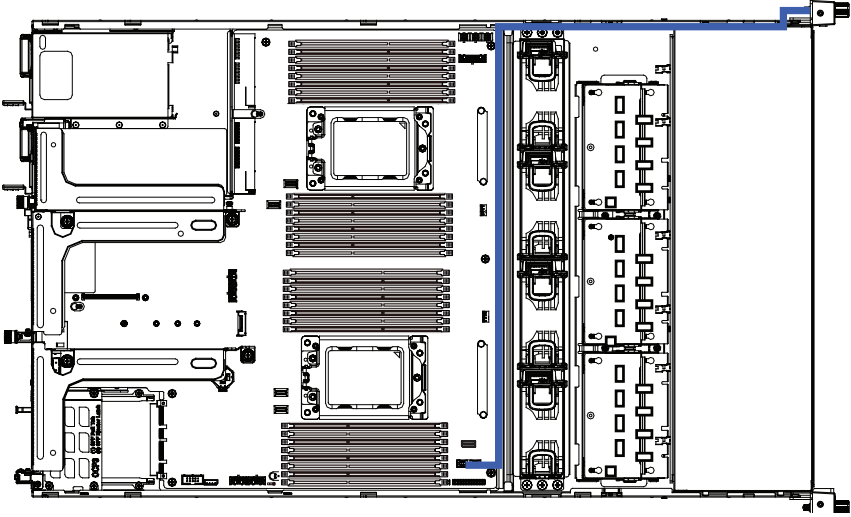
HDD Backplane Board Power



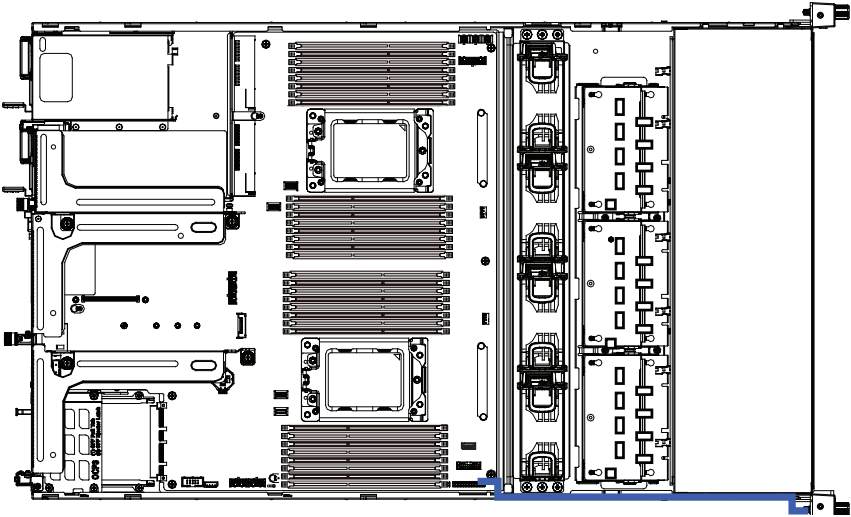
HDD Backplane Board Signal



Front Panel USB 3.0 Ports



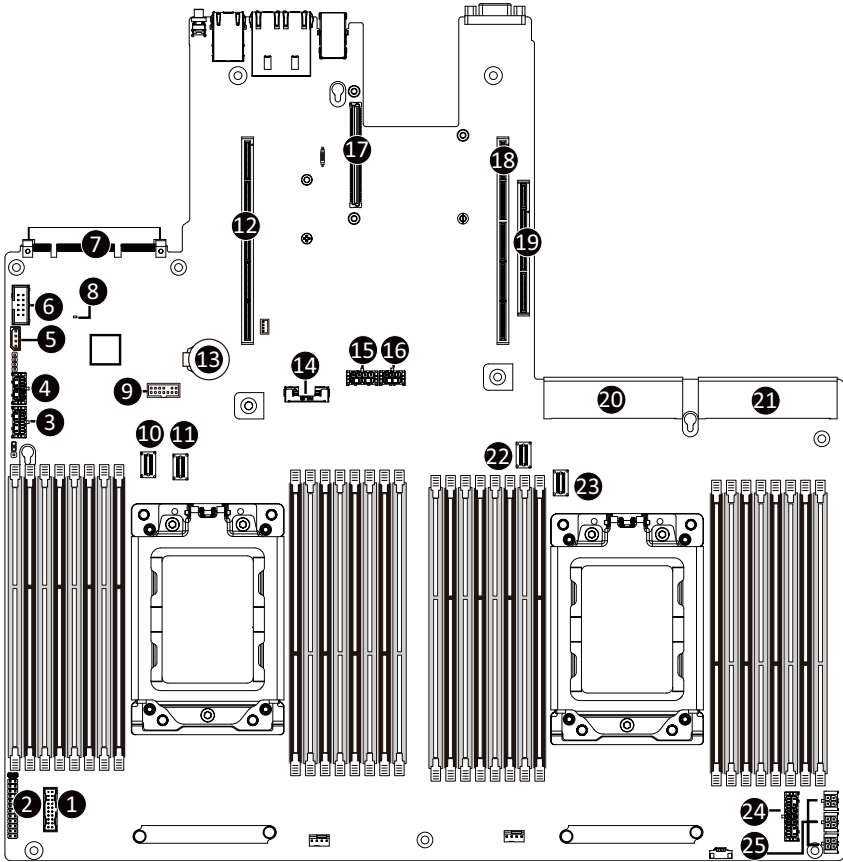
Front Panel LEDs and Buttons



This page intentionally left blank

# Chapter 4 Motherboard Components

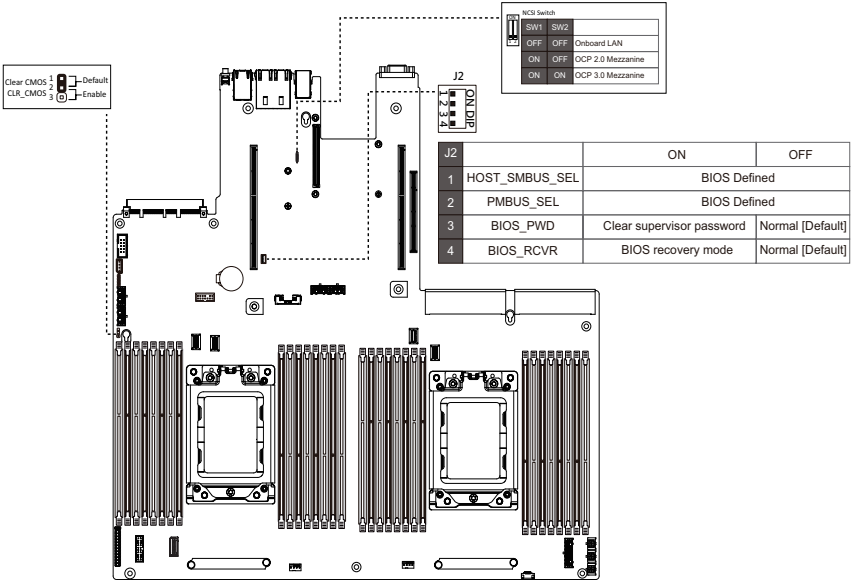
## 4-1 Motherboard Components



Item	Description
1	Front Panel USB 3.0 Connector
2	Front Panel Connector
3	2 x 4 Pin P12V GPU Power Connector
4	2 x 4 Pin P12V GPU Power Connector
5	IPMB Connector
6	Serial Port Cable Connector
7	OCP Mezzanine Connector (OCP 3.0/SFF Type/Gen4 x16)
8	BMC Firmware Readiness LED
9	TPM Module Connector (SPI Interface)
10	SlimLine SAS Connector (SLSAS_0/PCIe/SATA/Defined by SKUs)
11	SlimLine SAS Connector (SLSAS_1/PCIe/SATA/Defined by SKUs)
12	System Battery

13	Riser Connector #1 (PCIe Gen4/x32 Slot)
14	M.2 Connector (PCIe3 x4, Supports NGFF-22110)
15	2 x 4 Pin P12V GPU Power Connector
16	2 x 3 Pin Rear Back Plane Board Power Connector
17	OCP Mezzanine Connector (OCP 2.0/Gen3 x8)
18	Riser Connector #2 (PCIe Gen4/x32 Slot)
19	Riser Connector #3 (PCIe Gen4/x16 Slot)
20	Power Supply Connector#1 (Primary)
21	Power Supply Connector#2 (Secondary)
22	SlimLine SAS Connector (SLSAS_2/PCIe/SATA/Defined by SKUs)
23	SlimLine SAS Connector (SLSAS_3/PCIe/SATA/Defined by SKUs)
24	2 x 7 Pin HDD Back Plane Board Power Connector
25	2 x 2 Pin HDD Back Plane Board 12V Power Connector

# 4-2 Jumper Settings





This page intentionally left blank

## Chapter 5 BIOS Setup

BIOS (Basic Input and Output System) records hardware parameters of the system in the EFI on the motherboard. Its major functions include conducting the Power-On Self-Test (POST) during system startup, saving system parameters and loading operating system, etc. BIOS includes a BIOS Setup program that allows the user to modify basic system configuration settings or to activate certain system features. When the power is turned off, the battery on the motherboard supplies the necessary power to the CMOS to keep the configuration values in the CMOS.

To access the BIOS Setup program, press the <DEL> key during the POST when the power is turned on.



- BIOS flashing is potentially risky, if you do not encounter problems of using the current BIOS version, it is recommended that you don't flash the BIOS. To flash the BIOS, do it with caution. Inadequate BIOS flashing may result in system malfunction.
- It is recommended that you not alter the default settings (unless you need to) to prevent system instability or other unexpected results. Inadequately altering the settings may result in system's failure to boot. If this occurs, try to clear the CMOS values and reset the board to default values. (Refer to the Exit section in this chapter or introductions of the battery/clearing CMOS jumper in Chapter 4 for how to clear the CMOS values.)

### BIOS Setup Program Function Keys

<<-><->>	Move the selection bar to select the screen
<↑><↓>	Move the selection bar to select an item
<+>	Increase the numeric value or make changes
<->	Decrease the numeric value or make changes
<Enter>	Execute command or enter the submenu
<Esc>	Main Menu: Exit the BIOS Setup program Submenus: Exit current submenu
<F1>	Show descriptions of general help
<F3>	Restore the previous BIOS settings for the current submenus
<F9>	Load the Optimized BIOS default settings for the current submenus
<F10>	Save all the changes and exit the BIOS Setup program

■ **Main**

This setup page includes all the items in standard compatible BIOS.

■ **Advanced**

This setup page includes all the items of AMI BIOS special enhanced features.

(ex: Auto detect fan and temperature status, automatically configure hard disk parameters.)

■ **AMD CBS**

This setup page includes the common items for configuration of AMD motherboard-related information.

■ **AMD PBS Option**

This setup page includes the common items for configuration of AMD CPM RAS related settings.

■ **Chipset**

This setup page includes all the submenu options for configuring the function of processor, network, main chipset, and system event logs.

■ **Server Management**

Server additional features enabled/disabled setup menus.

■ **Security**

Change, set, or disable supervisor and user password. Configuration supervisor password allows you to restrict access to the system and BIOS Setup.

A supervisor password allows you to make changes in BIOS Setup.

A user password only allows you to view the BIOS settings but not to make changes.

■ **Boot**

This setup page provides items for configuration of boot sequence.

■ **Save & Exit**

Save all the changes made in the BIOS Setup program to the CMOS and exit BIOS Setup. (Pressing <F10> can also carry out this task.)

Abandon all changes and the previous settings remain in effect. Pressing <Y> to the confirmation message will exit BIOS Setup. (Pressing <Esc> can also carry out this task.)

# 5-1 The Main Menu

Once you enter the BIOS Setup program, the Main Menu (as shown below) appears on the screen. Use arrow keys to move among the items and press <Enter> to accept or enter other sub-menu.

## Main Menu Help

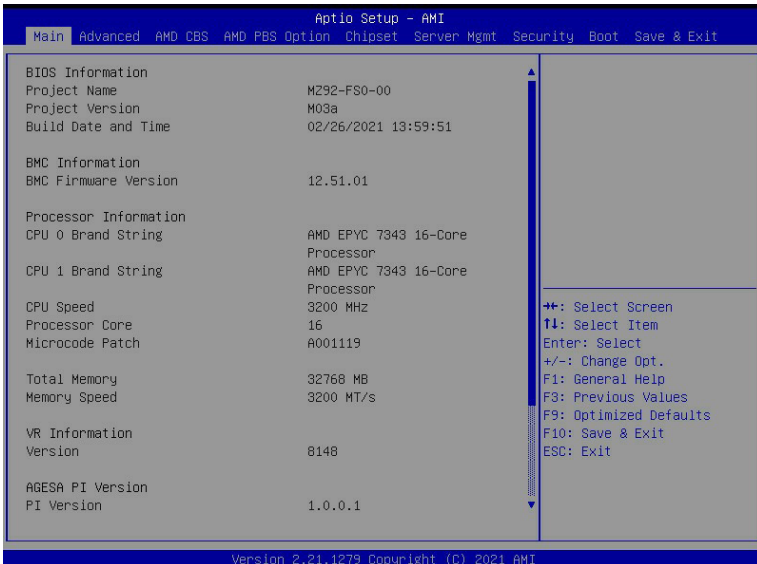
The on-screen description of a highlighted setup option is displayed on the bottom line of the Main Menu.

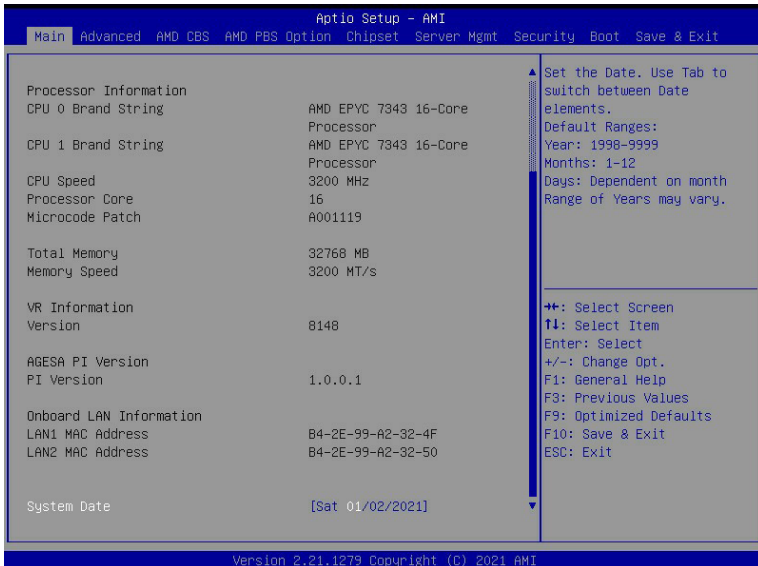
## Submenu Help

While in a submenu, press <F1> to display a help screen (General Help) of function keys available for the menu. Press <Esc> to exit the help screen. Help for each item is in the Item Help block on the right side of the submenu.



- When the system is not stable as usual, select the **Restore Defaults** item to set your system to its defaults.
- The BIOS Setup menus described in this chapter are for reference only and may differ by BIOS version.





Parameter	Description
<b>BIOS Information</b>	
Project Name	Displays the project name information.
Project Version	Displays version number of the BIOS setup utility.
Build Date and Time	Displays the date and time when the BIOS setup utility was created.
<b>BMC Information</b>	
BMC Firmware Version	Displays version number of the BIOS setup utility.
<b>BIOS Information</b>	
Project Name	Displays the project name information.
Project Version	Displays version number of the BIOS setup utility.
Build Date and Time	Displays the date and time when the BIOS setup utility was created.
<b>BMC Information</b>	
BMC Firmware Version	Displays version number of the BIOS setup utility.
<b>Processor Information</b>	
CPU 0 Brand String / CPU 1 Brand String / CPU Speed / Processor Core / Microcode Patch	Displays the technical information for the installed processor(s).

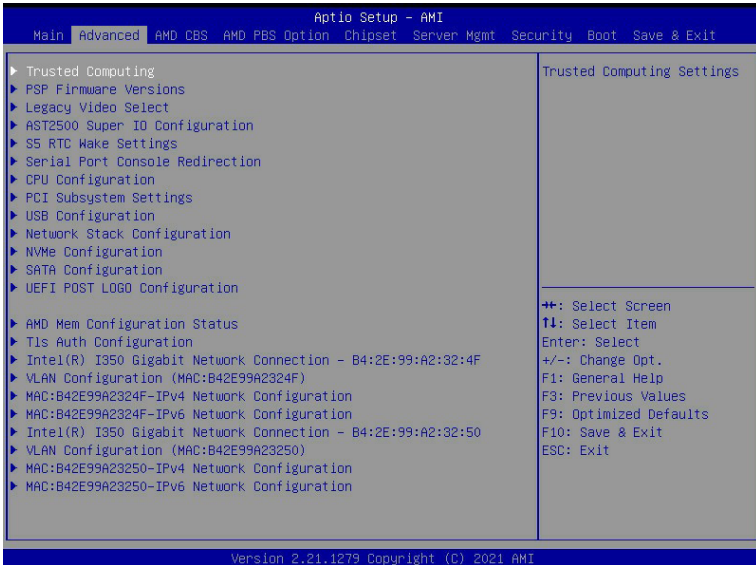
Parameter	Description
Total Memory <sup>(Note1)</sup>	Displays the total memory size of the installed memory.
Memory Speed <sup>(Note1)</sup>	Displays the frequency information of the installed memory.
VR Information	
Version	Displays VR version information.
AGESA PI Version	
PI Version	Displays AGESA PI version information.
Onboard LAN Information	
LAN1 MAC Address <sup>(Note2)</sup>	Displays LAN MAC address information.
LAN2 MAC Address <sup>(Note2)</sup>	Displays LAN MAC address information.
System Date	Sets the date following the weekday-month-day-year format.
System Time	Sets the system time following the hour-minute-second format.

(Note1) The number of LAN ports listed will depend on the motherboard / system model.

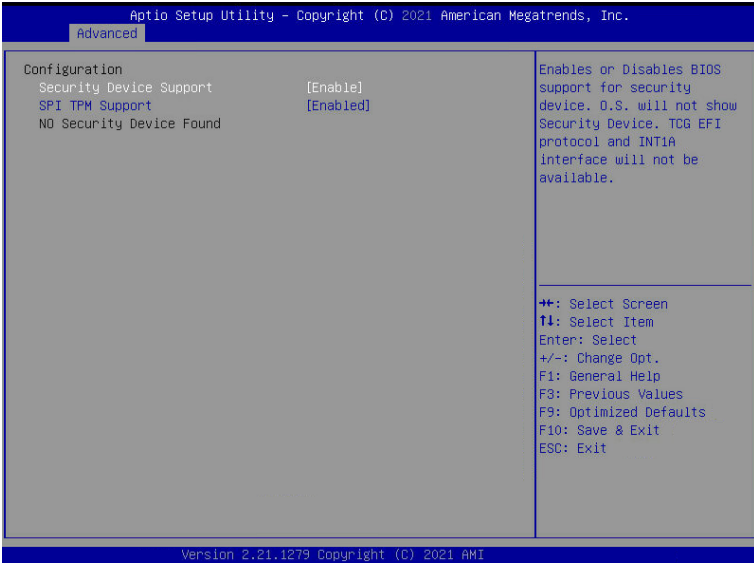
(Note2) This section will display capacity and frequency information of the memory that the customer has installed.

## 5-2 Advanced Menu

The Advanced menu display submenu options for configuring the function of various hardware components. Select a submenu item, then press [Enter] to access the related submenu screen.



## 5-2-1 Trusted Computing

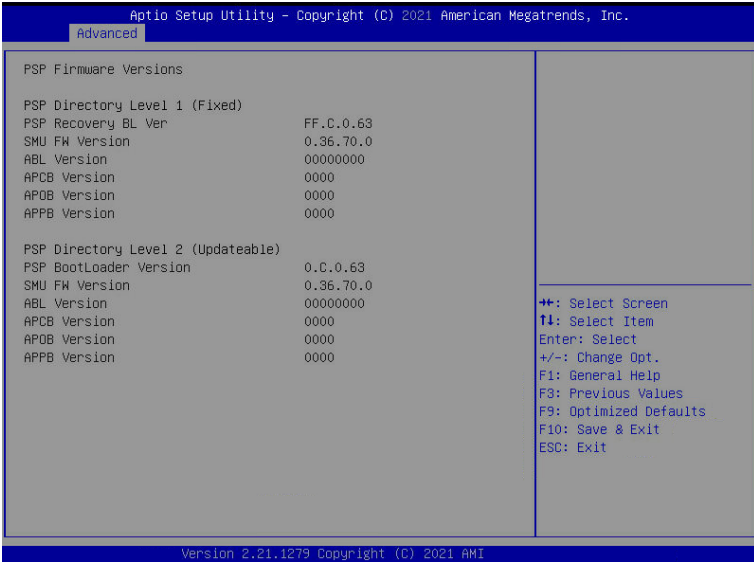


Parameter	Description
Configuration	
Security Device Support	Select Enable to activate TPM support feature. Options available: Enable/Disable. Default setting is <b>Enable</b> .
SPI TPM Support	Options available: Enabled/Disabled. Default setting is <b>Enabled</b>

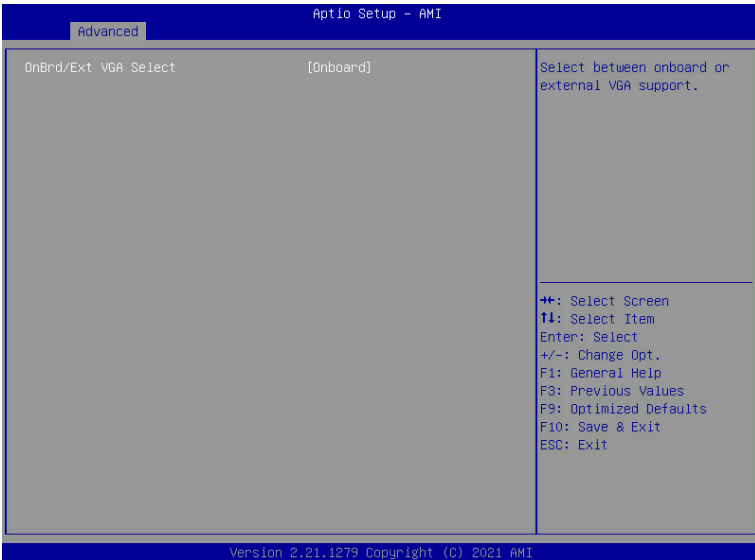
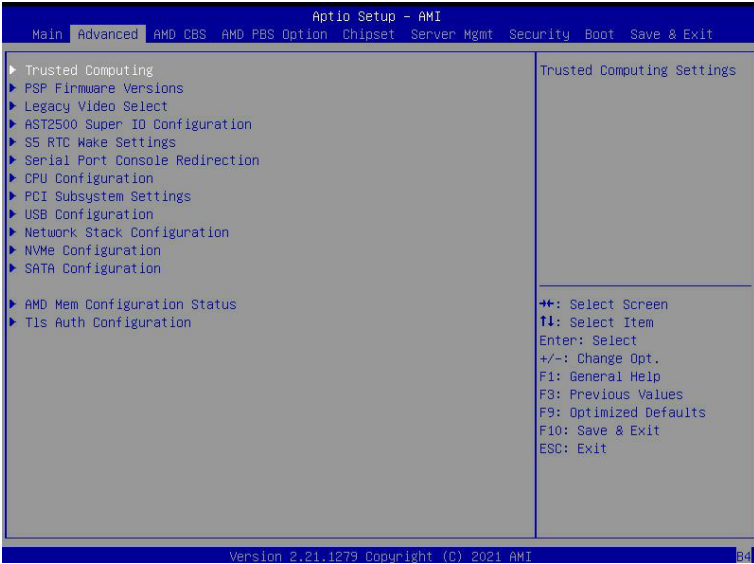


## 5-2-2 PSP Firmware Versions

The PSP Firmware Versions page displays the basic PSP firmware version information. Items on this window are non-configurable.

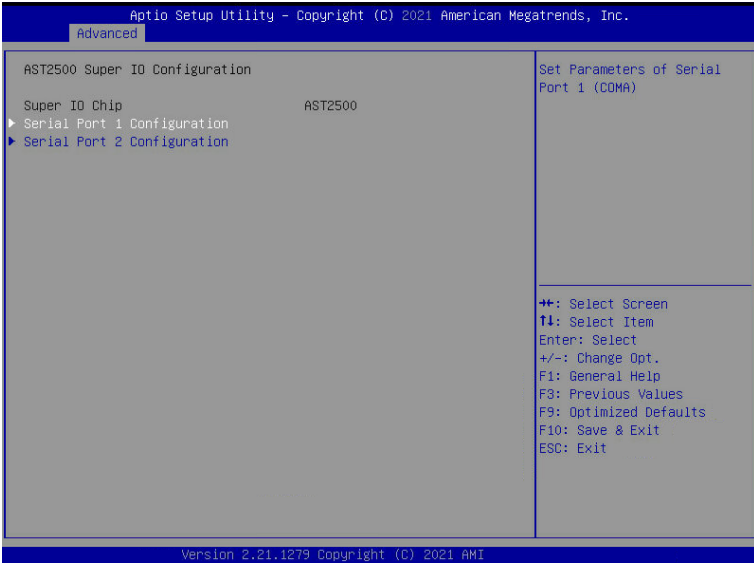


### 5-2-3 Legacy Video Select



Parameter	Description
OnBrd/Ext VGA Select	Select between onboard or external VGA support. Options available: Auto/Onboard/External. Default setting is <b>Onboard</b> .

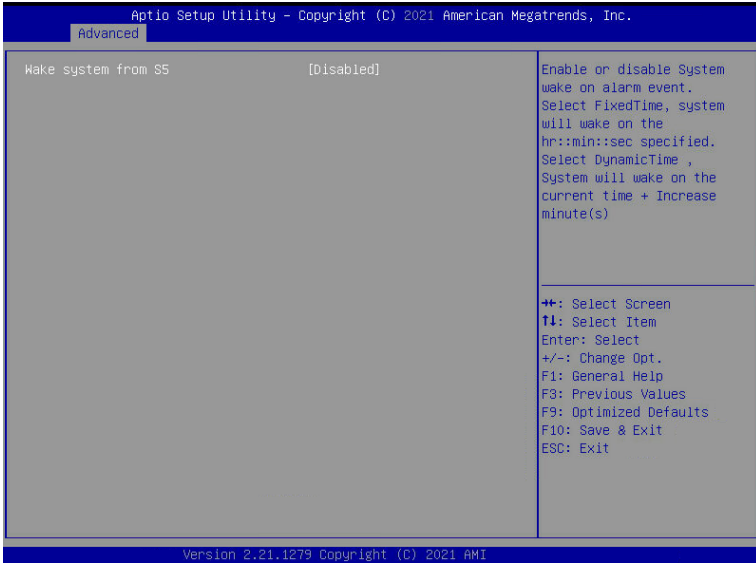
## 5-2-4 AST2500 Super IO Configuration



Parameter	Description
AST2500 Super IO Configuration	
Super IO Chip	Displays the super IO chip information.

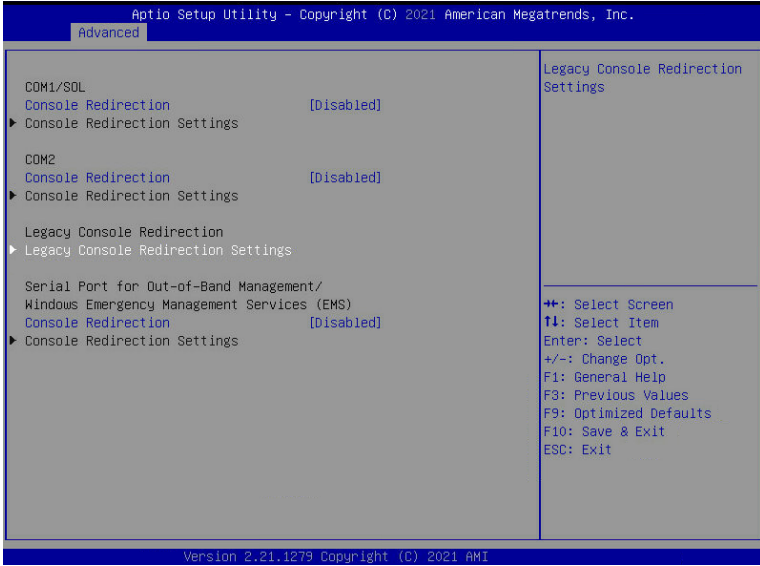
Parameter	Description
Serial Port 1/2 Configuration	<p>Press [Enter] to configure advanced items.</p> <ul style="list-style-type: none"> <li>◆ Serial Port<sup>(Note1)</sup>: <ul style="list-style-type: none"> <li>– Enable/Disable the Serial Port (COM). When set to Enabled allows you to configure the Serial port 1/2 settings. When set to Disabled, displays no configuration for the serial port.</li> <li>– Options available: Enabled/Disabled. Default setting is <b>Enabled</b>.</li> </ul> </li> <li>◆ Devices Settings<sup>(Note2)</sup>: <ul style="list-style-type: none"> <li>– Displays the serial port 1/2 device settings.</li> </ul> </li> <li>◆ Change Settings<sup>(Note2)</sup>: <ul style="list-style-type: none"> <li>– Select an optimal setting for the Super I/O device:</li> <li>– Options available for Serial Port 1: <ul style="list-style-type: none"> <li>Auto</li> <li>IO=3F8h; IRQ=4;</li> <li>IO=3F8h; IRQ=3, 4, 5, 6, 7, 9, 10, 11, 12;</li> <li>IO=2F8h; IRQ=3, 4, 5, 6, 7, 9, 10, 11, 12;</li> <li>IO=3E8h; IRQ=3, 4, 5, 6, 7, 9, 10, 11, 12;</li> <li>IO=2E8h; IRQ=3, 4, 5, 6, 7, 9, 10, 11, 12;</li> </ul> <li>Default setting is <b>Auto</b>.</li> <li>Options available for Serial Port 2: <ul style="list-style-type: none"> <li>Auto</li> <li>IO=2F8h; IRQ=3;</li> <li>IO=3F8h; IRQ=3, 4, 5, 6, 7, 9, 10, 11, 12;</li> <li>IO=2F8h; IRQ=3, 4, 5, 6, 7, 9, 10, 11, 12;</li> <li>IO=3E8h; IRQ=3, 4, 5, 6, 7, 9, 10, 11, 12;</li> <li>IO=2E8h; IRQ=3, 4, 5, 6, 7, 9, 10, 11, 12;</li> </ul> <li>Default setting is <b>Auto</b>.</li> </li></li></ul> </li> </ul> <p>(Note1) Advanced items will appear when this item is set to <b>Enabled</b>.</p> <p>(Note2) This item will appear when <b>Serial Port</b> is set to <b>Enabled</b>.</p>

## 5-2-5 S5 RTC Wake Settings



Parameter	Description
Wake system from S5	Enable or disable system wake on alarm event. Select Fixed Time, system will wake on the time (HH:MM:SS) specified. Select Dynamic Time and the system will wake at the current time plus an increase in minute(s). Options available: Disabled/Fixed Time. Default setting is <b>Disabled</b> .

## 5-2-6 Serial Port Console Redirection



Parameter	Description
COM1/SOL / COM2 Console Redirection <sup>(Note)</sup>	Select whether to enable console redirection for specified device. Console redirection enables the users to manage the system from a remote location. Options available: Enabled/Disabled. Default setting is <b>Disabled</b> .
Legacy Console Redirection	Selects a COM port for Legacy serial redirection. The options are dependent on the available COM ports.
Serial Port for Out-of-Band Management / Windows Emergency Management Services (EMS) Console Redirection <sup>(Note)</sup>	Selects a COM port for EMS console redirection. EMS console redirection allows the user to configure Console Redirection Settings to support Out-of-Band Serial Port management. Options available: Enabled/Disabled. Default setting is <b>Disabled</b> .
COM1/SOL / COM2 Console Redirection Settings	<p>Press [Enter] to configure advanced items.</p> <p><b>Please note that this item is configurable when COM1/SOL / COM2 Console Redirection is set to Enabled.</b></p> <ul style="list-style-type: none"> <li>◆ Terminal Type           <ul style="list-style-type: none"> <li>– Selects a terminal type to be used for console redirection.</li> <li>– Options available: VT100/VT100+/ANSI /VT-UTF8. Default setting is <b>ANSI</b>.</li> </ul> </li> </ul>

(Note) Advanced items prompt when this item is set to Enabled.

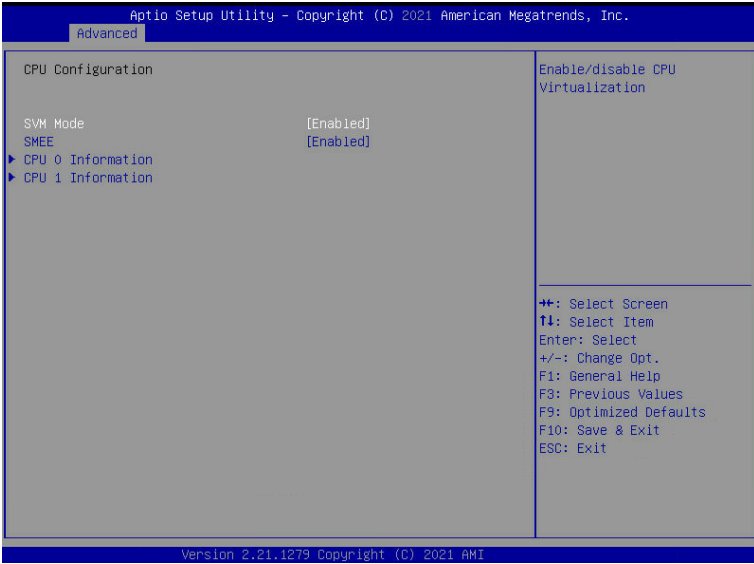
Parameter	Description
COM1/SOL / COM2 Console Redirection Settings (continued)	<ul style="list-style-type: none"> <li>◆ Bits per second <ul style="list-style-type: none"> <li>– Selects the transfer rate for console redirection.</li> <li>– Options available: 9600/19200/38400/57600/115200. Default setting is <b>115200</b>.</li> </ul> </li> <li>◆ Data Bits <ul style="list-style-type: none"> <li>– Selects the number of data bits used for console redirection.</li> <li>– Options available: 7/8. Default setting is <b>8</b>.</li> </ul> </li> <li>◆ Parity <ul style="list-style-type: none"> <li>– A parity bit can be sent with the data bits to detect some transmission errors.</li> <li>– Even: parity bit is 0 if the num of 1's in the data bits is even.</li> <li>– Odd: parity bit is 0 if num of 1's in the data bits is odd.</li> <li>– Mark: parity bit is always 1. Space: Parity bit is always 0.</li> <li>– Mark and Space Parity do not allow for error detection.</li> <li>– Options available: None/Even/Odd/Mark/Space. Default setting is <b>None</b>.</li> </ul> </li> <li>◆ Stop Bits <ul style="list-style-type: none"> <li>– Stop bits indicate the end of a serial data packet. (A start bit indicates the beginning). The standard setting is 1 stop bit. Communication with slow devices may require more than 1 stop bit.</li> <li>– Options available: 1/2. Default setting is <b>1</b>.</li> </ul> </li> <li>◆ Flow Control <ul style="list-style-type: none"> <li>– Flow control can prevent data loss from buffer overflow. When sending data, if the receiving buffers are full, a 'stop' signal can be sent to stop the data flow. Once the buffers are empty, a 'start' signal can be sent to re-start the flow. Hardware flow control uses two wires to send start/stop signals.</li> <li>– Options available: None/Hardware RTS/CTS. Default setting is <b>None</b>.</li> </ul> </li> <li>◆ VT-UTF8 Combo Key Support <ul style="list-style-type: none"> <li>– Enable/Disable the VT-UTF8 Combo Key Support.</li> <li>– Options available: Enabled/Disabled. Default setting is <b>Enabled</b>.</li> </ul> </li> <li>◆ Recorder Mode<sup>(Note)</sup> <ul style="list-style-type: none"> <li>– When this mode enabled, only texts will be send. This is to capture Terminal data.</li> <li>– Options available: Enabled/Disabled. Default setting is <b>Disabled</b>.</li> </ul> </li> <li>◆ Resolution 100x31<sup>(Note)</sup> <ul style="list-style-type: none"> <li>– Enable/Disable extended terminal resolution.</li> <li>– Options available: Enabled/Disabled. Default setting is <b>Enabled</b>.</li> </ul> </li> <li>◆ Putty KeyPad<sup>(Note)</sup> <ul style="list-style-type: none"> <li>– Selects FunctionKey and KeyPad on Putty.</li> <li>– Options available: T100/LINUX/XTERM/R6/SCO/ESCN/VT400.</li> <li>– Default setting is VT100.</li> </ul> </li> </ul>

(Note) Advanced items prompt when this item is defined.

Parameter	Description
Legacy Console Redirection Settings	<ul style="list-style-type: none"> <li>◆ Redirection COM Port <ul style="list-style-type: none"> <li>– Selects a COM port to display redirection of Legacy OS and Legacy OPROM Messages.</li> <li>– Options available: COM1/SOL / COM2. Default setting is <b>COM1/SOL</b>.</li> </ul> </li> <li>◆ Resolution <ul style="list-style-type: none"> <li>– On Legacy OS, the number of rows and columns supported in redirection.</li> <li>– Options available: 80x24/80x25. Default setting is <b>80x24</b>.</li> </ul> </li> <li>◆ Redirection After BIOS POST <ul style="list-style-type: none"> <li>– This item allows user to enable console redirection after OS has loaded.</li> <li>– Options available: Always Enable/Boot Loader. Default setting is <b>Always Enable</b>.</li> </ul> </li> </ul>
Serial Port for Out-of-Band Management / Windows Emergency Management Services (EMS) Console Redirection Settings	<ul style="list-style-type: none"> <li>◆ Out-of-Band Mgmt Port <ul style="list-style-type: none"> <li>– Selects a serial port to remotely manage a Windows server OS.</li> <li>– Options available: COM1/SOL / COM2. Default setting is <b>COM1/SOL</b>.</li> </ul> </li> <li>◆ Terminal Type <ul style="list-style-type: none"> <li>– Selects a terminal type to be used for console redirection.</li> <li>– Options available: VT100/VT100+/ANSI /VT-UTF8. Default setting is <b>VT-UTF8</b>.</li> </ul> </li> <li>◆ Bits per second <ul style="list-style-type: none"> <li>– Selects the transfer rate for console redirection.</li> <li>– Options available: 9600/19200/38400/57600/115200. Default setting is <b>115200</b>.</li> </ul> </li> <li>◆ Flow Control <ul style="list-style-type: none"> <li>– Flow control can prevent data loss from buffer overflow. When sending data, if the receiving buffers are full, a 'stop' signal can be sent to stop the data flow. Once the buffers are empty, a 'start' signal can be sent to re-start the flow. Hardware flow control uses two wires to send start/stop signals.</li> <li>– Options available: None/Hardware RTS/CTS. Default setting is <b>None</b>.</li> </ul> </li> </ul>



## 5-2-7 CPU Configuration



Parameter	Description
CPU Configuration	
SVM Mode	Enable/disable the CPU Virtualization. Options available: Enabled/Disabled. Default setting is <b>Enabled</b> .
SMEE	Controls the Secure Memory Encryption Enable (SMEE) function. Options available: Enabled/Disabled. Default setting is <b>Enabled</b> .
CPU 0 Information	Press [Enter] to view more information related to CPU 0.
CPU 1 Information	Press [Enter] to view more information related to CPU 1.

## 5-2-8 PCI Subsystem Settings

Aptio Setup - AMI

Advanced

PCI Bus Driver Version	A5.01.24	▲ Change SLOT1_1 PCIe lanes.
SLOT1_1 Lanes	[Auto]	
SLOT1_1 I/O ROM	[Enabled]	
SLOT1_1 Max Link Speed	[Auto]	
SLOT1_2/3 Lanes	[Auto]	
SLOT1_2/3 I/O ROM	[Enabled]	
SLOT1_2/3 Max Link Speed	[Auto]	
OC1 Lanes	[Auto]	
OC1 I/O ROM	[Enabled]	
OC1 Max Link Speed	[Auto]	
SLOT2_1 Lanes	[Auto]	
SLOT2_1 I/O ROM	[Enabled]	
SLOT2_1 Max Link Speed	[Auto]	
SLOT2_2/3 Lanes	[Auto]	
SLOT2_2/3 I/O ROM	[Enabled]	
SLOT2_2/3 Max Link Speed	[Auto]	
SLOT3_1/2 Lanes	[Auto]	
SLOT3_1/2 I/O ROM	[Enabled]	

▼  
 ⇐+: Select Screen  
 ↑↓: Select Item  
 Enter: Select  
 +/-: Change Opt.  
 F1: General Help  
 F3: Previous Values  
 F9: Optimized Defaults  
 F10: Save & Exit  
 ESC: Exit

Version 2.21.1279 Copyright (C) 2021 AMI

Aptio Setup - AMI

Advanced

OC1 Max Link Speed	[Auto]	▲ If system has SR-IOV capable PCIe Devices, this option Enables or Disables Single Root IO Virtualization Support.
SLOT2_1 Lanes	[Auto]	
SLOT2_1 I/O ROM	[Enabled]	
SLOT2_1 Max Link Speed	[Auto]	
SLOT2_2/3 Lanes	[Auto]	
SLOT2_2/3 I/O ROM	[Enabled]	
SLOT2_2/3 Max Link Speed	[Auto]	
SLOT3_1/2 Lanes	[Auto]	
SLOT3_1/2 I/O ROM	[Enabled]	
SLOT3_1/2 Max Link Speed	[Auto]	
OC2 Lanes	[Auto]	
OC2 I/O ROM	[Enabled]	
OC2 Max Link Speed	[Auto]	
Onboard LAN Controller	[Enabled]	
Onboard LAN1 I/O ROM	[Enabled]	
Onboard LAN2 I/O ROM	[Enabled]	
PCI Devices Common Settings:		
Above 4G Decoding	[Enabled]	
SR-IOV Support	[Enabled]	

▼  
 ⇐+: Select Screen  
 ↑↓: Select Item  
 Enter: Select  
 +/-: Change Opt.  
 F1: General Help  
 F3: Previous Values  
 F9: Optimized Defaults  
 F10: Save & Exit  
 ESC: Exit

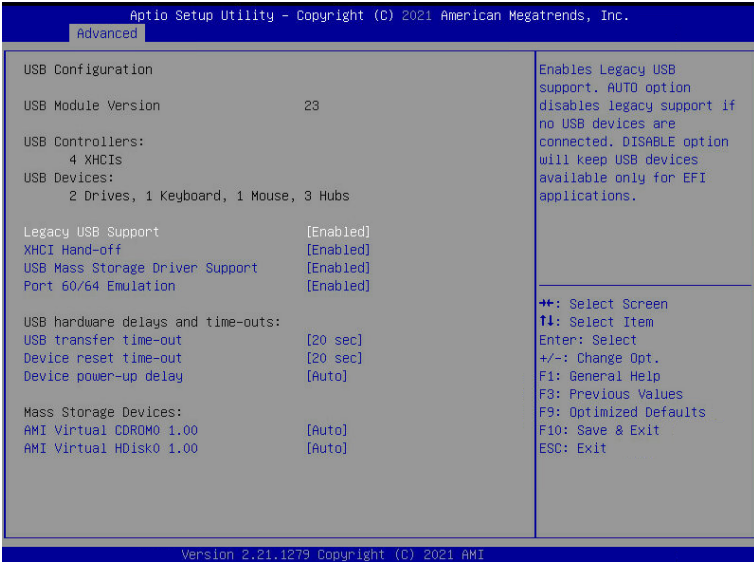
Version 2.21.1279 Copyright (C) 2021 AMI

Parameter	Description
PCI Bus Driver Version	Displays the PCI Bus Driver version information.
SLOT1_F / SLOT1_R / SLOT2_F / SLOT2_R / SLOT3 / OCP1 / OCP2 Lanes <sup>(Note1)</sup>	Change the PCIe lanes. Options available: Auto / x16 / x8 x8 / x8 x4 x4 / x4 x4 x8 / x4 x4 x4 x4 (OCP2 Lanes only features Auto / x8 / x4 x4.) Disabled. Default setting is <b>Auto</b> .
SLOT1_F / SLOT1_R / SLOT2_F / SLOT2_R / SLOT3 / OCP1 / OCP2 I/O ROM <sup>(Note1)</sup>	When enabled, this setting will initialize the device expansion ROM for the related PCI-E slot. Options available: Enabled/Disabled. Default setting is <b>Enabled</b> .
Onboard LAN Controller <sup>(Note2)</sup>	Enable/Disable the onboard LAN devices. Options available: Enabled/Disabled. Default setting is <b>Enabled</b> .
Onboard LAN I/O ROM <sup>(Note2)</sup>	Enable/Disable the onboard LAN devices and initializes device expansion ROM. Options available: Enabled/Disabled. Default setting is <b>Enabled</b> .
PCI Devices Common Settings	
Above 4G Decoding	Enable/Disable memory mapped I/O to 4GB or greater address space (Above 4G Decoding). Options available: Enabled/Disabled. Default setting is <b>Enabled</b> .
SR-IOV Support	If the system has SR-IOV capable PCIe devices, this item Enable/Disable Single Root IO Virtualization Support. Options available: Enabled/Disabled. Default setting is <b>Enabled</b> .

(Note1) This section is dependent on the available PCIe Slot.

(Note2) This section is dependent on the available LAN controller.

## 5-2-9 USB Configuration

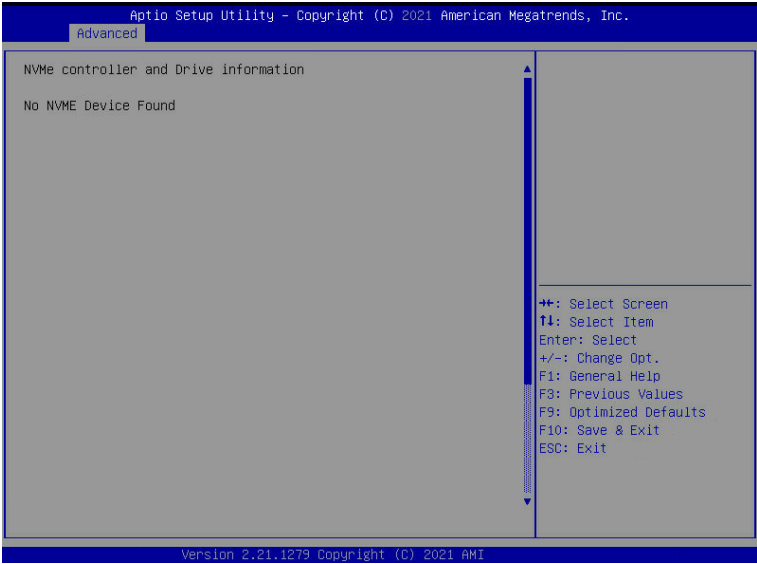


Parameter	Description
USB Configuration	
USB Module Version	Displays the USB version.
USB Controllers	Displays the supported USB controllers.
USB Devices	Displays the USB devices connected to the system.
Legacy USB Support	Enable/disable the Legacy USB support function. AUTO option disables legacy support if no USB devices are connected. DISABLE option will keep USB devices available only for EFI applications. Options available: Auto/Enabled/Disabled. Default setting is <b>Enabled</b> .
XHCI Hand-off	Enable/Disable the XHCI (USB 3.0) Hand-off support. Options available: Enabled/Disabled. Default setting is <b>Enabled</b> .
USB Mass Storage Driver Support <sup>(Note)</sup>	Enable/Disable the USB Mass Storage Driver Support. Options available: Enabled/Disabled. Default setting is <b>Enabled</b> .
Port 60/64 Emulation	Enables the I/O port 60h/64h emulation support. This should be enabled for the complete USB Keyboard Legacy support for non-USB aware OS. Options available: Enabled/Disabled. Default setting is <b>Enabled</b> .
USB hardware delays and time-outs	
USB transfer time out	The time-out value for Control, Bulk, and Interrupt transfers. Options available: 1 sec/5 sec/10 sec/20 sec. Default setting is <b>20 sec</b> .

(Note) This item is present only if you attach USB devices.

Parameter	Description
Device reset time-out	USB mass storage device Start Unit command time-out. Options available: 10 sec/20 sec/30 sec/40 sec. Default setting is <b>20 sec.</b>
Device power-up delay	Maximum time the device will take before it properly reports itself to the Host Controller. "Auto" uses default value: for a Root port it is 100 ms, for a Hub port the delay is taken from Hub descriptor. Options available: Auto/Manual. Default setting is <b>Auto.</b>
<b>Mass Storage Devices</b>	
AMI Virtual CDROM0 1.00 / HDisk0 1.00	Mass storage device emulation type. AUTO enumerates devices according to their media format. Optical drives are emulated as CDROM, drives with no media will be emulated according to a drive type. Options available: Auto/Floppy/Forced FDD/Hard Disk/CD-ROM. Default setting is <b>Auto.</b>

# 5-2-10 NVMe Configuration



Parameter	Description
NVMe controller and Drive Information	Displays the NVMe devices connected to the system.

# 5-2-11 SATA Configuration

Aptio Setup - AMI

Advanced

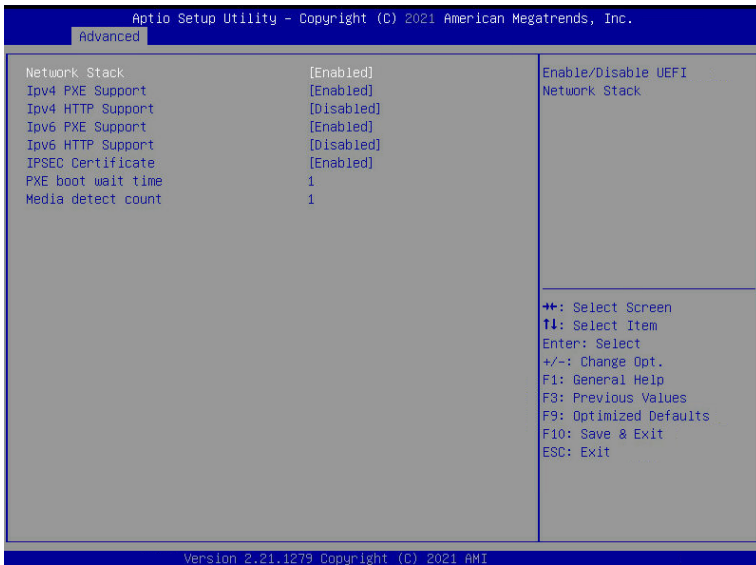
SATA Configuration

SLSAS_0	
Port 0	Not Present
Port 1	Not Present
Port 2	Not Present
Port 3	Not Present
SLSAS_1	
Port 0	Not Present
Port 1	Not Present
Port 2	Not Present
Port 3	Not Present

⬆: Select Screen  
⬆: Select Item  
Enter: Select  
+/-: Change Opt.  
F1: General Help  
F8: Previous Values  
F9: Optimized Defaults  
F10: Save & Exit  
ESC: Exit

Version 2.21.1279 Copyright (C) 2021 AMI

## 5-2-12 Network Stack Configuration

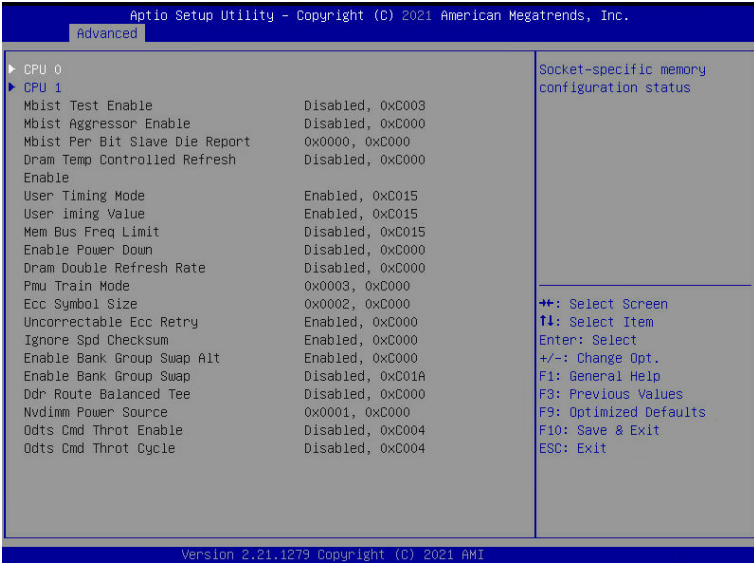


Parameter	Description
Network Stack	Enable/Disable the UEFI network stack. Options available: Enabled/Disabled. Default setting is <b>Enabled</b> .
Ipv4 PXE Support <sup>(Note)</sup>	Enable/Disable the Ipv4 PXE feature. Options available: Enabled/Disabled. Default setting is <b>Enabled</b> .
Ipv4 HTTP Support <sup>(Note)</sup>	Enable/Disable the Ipv4 HTTP feature. Options available: Enabled/Disabled. Default setting is <b>Disabled</b> .
Ipv6 PXE Support <sup>(Note)</sup>	Enable/Disable the Ipv6 PXE feature. Options available: Enabled/Disabled. Default setting is <b>Disabled</b> .
Ipv6 HTTP Support <sup>(Note)</sup>	Enable/Disable the Ipv6 HTTP feature. Options available: Enabled/Disabled. Default setting is <b>Disabled</b> .
IPSEC Certificate <sup>(Note)</sup>	Enable/Disable the IPSEC Certificate feature.
PXE boot wait time <sup>(Note)</sup>	Wait time in seconds to press ESC key to abort the PXE boot. Press the <+> / <-> keys to increase or decrease the desired values.
Media detect count <sup>(Note)</sup>	Number of times the presence of media will be checked. Press the <+> / <-> keys to increase or decrease the desired values.

(Note) This item appears when **Network Stack** is set to **Enabled**.

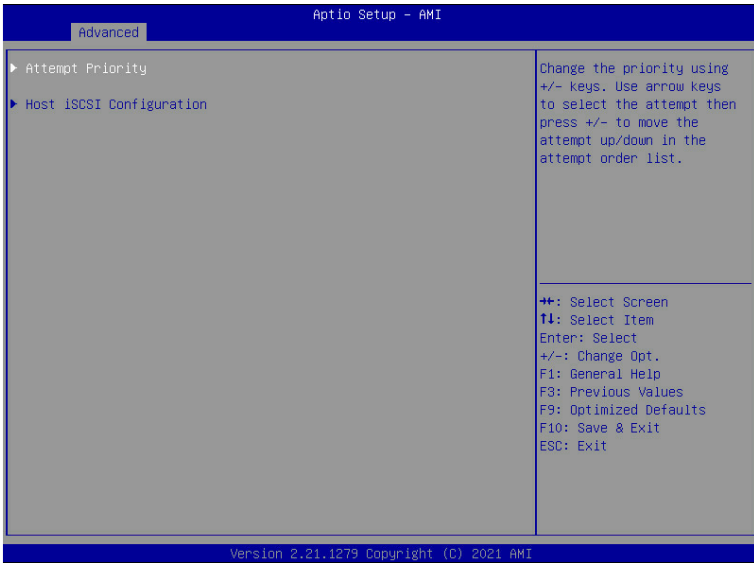


## 5-2-13 AMD Mem Configuration Status



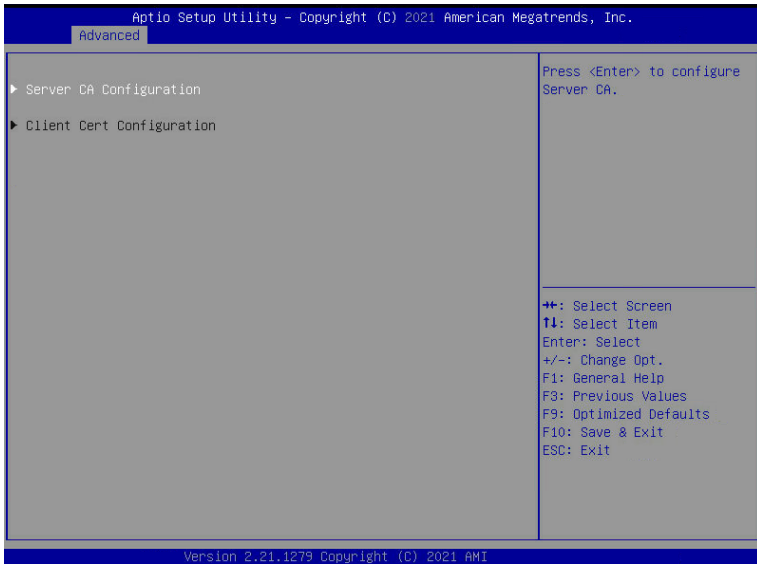
Parameter	Description
CPU 0	Press [Enter] for configuration of advanced items. <ul style="list-style-type: none"> <li>◆ Channel A/BC/D/E/F/G/H               <ul style="list-style-type: none"> <li>- DIMM0 Presence</li> <li>- DIMM1 Presence</li> <li>- Chipset/Bank Interleave</li> </ul> </li> <li>◆ Dram EC</li> <li>◆ Dram Parity</li> <li>◆ Dimm Sensor Fine Grain Mode</li> </ul>
CPU 1	Press [Enter] for configuration of advanced items. <ul style="list-style-type: none"> <li>◆ Channel I/J/K/L/M/N/O/P               <ul style="list-style-type: none"> <li>- DIMM0 Presence</li> <li>- DIMM1 Presence</li> <li>- Chipset/Bank Interleave</li> </ul> </li> <li>◆ Dram EC</li> <li>◆ Dram Parity</li> <li>◆ Dimm Sensor Fine Grain Mode</li> </ul>

## 5-2-14 iSCSI Configuration



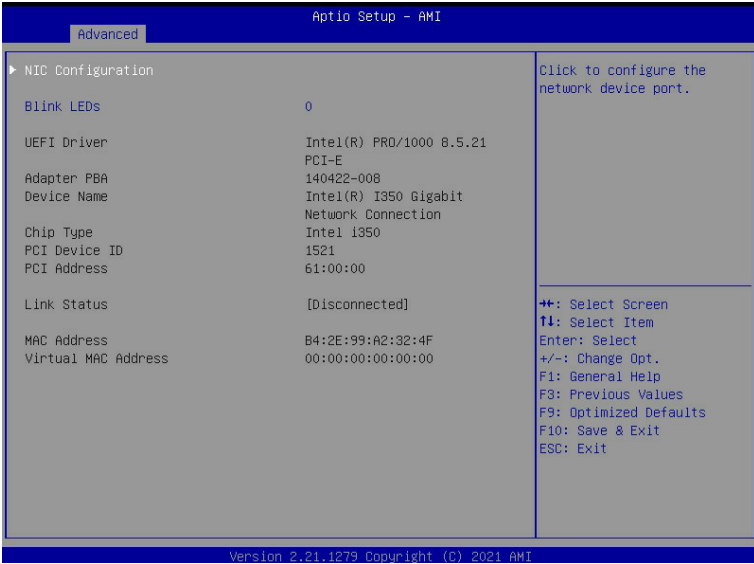
Parameter	Description
iSCSI Initiator Name	Press [Enter] and name iSCSI Initiator. Only IQN format is accepted. Range: from 4 to 223
Add Attempt	Press [Enter] for configuration of advanced items.
Delete Attempt	Press [Enter] for configuration of advanced items.
Change Attempt Order	Press [Enter] for configuration of advanced items.

## 5-2-15 Tls Auth Configuration



Parameter	Description
Server CA Configuration	Press [Enter] for configuration of advanced items. <ul style="list-style-type: none"> <li>◆ Enroll Cert               <ul style="list-style-type: none"> <li>– Press [Enter] to enroll a certificate                   <ul style="list-style-type: none"> <li>• Enroll Cert Using File</li> <li>• Cert GUID</li> </ul> </li> <li>Input digit character in 1111111-2222-3333-4444-1234567890ab format.</li> <li>– Commit Changes and Exit</li> <li>– Discard Changes and Exit</li> </ul> </li> <li>◆ Delete Cert</li> </ul>
Client Cert Configuration	N/A

## 5-2-16 Intel(R) I350 Gigabit Network Connection



Parameter	Description
NIC Configuration	<p>Press [Enter] to configure advanced items.</p> <ul style="list-style-type: none"> <li>◆ Link Speed <ul style="list-style-type: none"> <li>– Allows for automatic link speed adjustment.</li> <li>– Options available: Auto Negotiated/10 Mbps Half/10 Mbps Full/100 Mbps Half/100 Mbps Full. Default setting is <b>Auto Negotiated</b>.</li> </ul> </li> <li>◆ Wake On LAN <ul style="list-style-type: none"> <li>– Enables power on of the system via LAN. Note that configuring Wake on LAN in the operating system does not change the value of this setting, but does override the behavior of Wake on LAN in OS controlled power states.</li> <li>– Options available: Enabled/Disabled. Default setting is <b>Enabled</b>.</li> </ul> </li> </ul>
Blink LEDs	Identifies the physical network port by blinking the associated LED. Press the numeric keys to adjust desired values.
UEFI Driver	Displays the technical specifications for the Network Interface Controller.
Adapter PBA	Displays the technical specifications for the Network Interface Controller.
Device Name	Displays the technical specifications for the Network Interface Controller.
Chip Type	Displays the technical specifications for the Network Interface Controller.
PCI Device ID	Displays the technical specifications for the Network Interface Controller.
PCI Address	Displays the technical specifications for the Network Interface Controller.
Link Status	Displays the technical specifications for the Network Interface Controller.
MAC Address	Displays the technical specifications for the Network Interface Controller.
Virtual MAC Address	Displays the technical specifications for the Network Interface Controller.

## 5-2-17 VLAN Configuration

Aptio Setup Utility - Copyright (C) 2021 American Megatrends, Inc.

Advanced

<p>Link Speed [Auto Negotiated] Wake On LAN [Disabled]</p>	<p>Specifies the port speed used for the selected boot protocol.</p> <hr/> <p>           ++: Select Screen            ↑↓: Select Item            Enter: Select            +/-: Change Opt.            F1: General Help            F8: Previous Values            F9: Optimized Defaults            F10: Save &amp; Exit            ESC: Exit         </p>
--	---

Version 2.21.1279 Copyright (C) 2021 AMI

Aptio Setup Utility - Copyright (C) 2021 American Megatrends, Inc.

Advanced

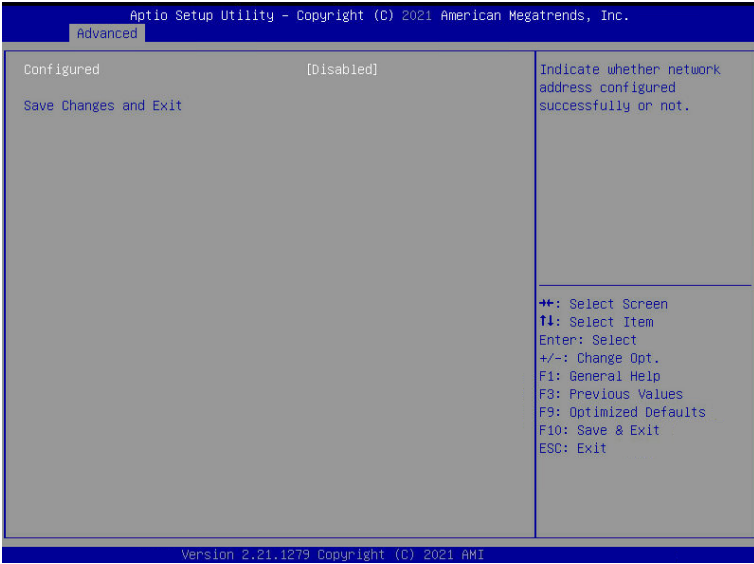
<p>Create new VLAN</p> <p>VLAN ID <input style="width: 50px;" type="text" value="0"/></p> <p>Priority <input style="width: 50px;" type="text" value="0"/></p> <p>Add VLAN</p> <p>Configured VLAN List</p> <p>Remove VLAN</p>	<p>VLAN ID of new VLAN or existing VLAN, valid value is 0~4094</p> <hr/> <p>           ++: Select Screen            ↑↓: Select Item            Enter: Select            +/-: Change Opt.            F1: General Help            F8: Previous Values            F9: Optimized Defaults            F10: Save &amp; Exit            ESC: Exit         </p>
--	---

Version 2.21.1279 Copyright (C) 2021 AMI

Parameter	Description
Enter Configuration Menu	<p data-bbox="338 145 668 164">Press [Enter] to configure advanced items.</p> <ul style="list-style-type: none"> <li data-bbox="338 174 517 192">◆ Create new VLAN</li> <li data-bbox="338 205 934 312">◆ VLAN ID <ul style="list-style-type: none"> <li data-bbox="373 232 801 250">– Sets VLAN ID for a new VLAN or an existing VLAN.</li> <li data-bbox="373 263 934 312">– Press the &lt;+&gt; / &lt;-&gt; keys to increase or decrease the desired values. The valid range is from 0 to 4094.</li> </ul> </li> <li data-bbox="338 324 934 431">◆ Priority <ul style="list-style-type: none"> <li data-bbox="373 351 849 370">– Sets 802.1Q Priority for a new VLAN or an existing VLAN.</li> <li data-bbox="373 382 934 431">– Press the &lt;+&gt; / &lt;-&gt; keys to increase or decrease the desired values. The valid range is from 0 to 7.</li> </ul> </li> <li data-bbox="338 443 900 487">◆ Add VLAN <ul style="list-style-type: none"> <li data-bbox="373 468 900 487">– Press [Enter] to create a new VLAN or update an existing VLAN.</li> </ul> </li> <li data-bbox="338 500 884 575">◆ Configured VLAN List <ul style="list-style-type: none"> <li data-bbox="373 526 602 545">– Enable/Disable the VLAN.</li> <li data-bbox="373 558 884 575">– Options available: Enable/Disable. Default setting is <b>Disabled</b>.</li> </ul> </li> <li data-bbox="338 588 727 631">◆ Remove VLAN <ul style="list-style-type: none"> <li data-bbox="373 613 727 631">– Press [Enter] to remove an existing VLAN.</li> </ul> </li> </ul>

(Note) Only Supported when **Configured VLAN List** is set to **Enabled**.

## 5-2-18 MAC IPv4 Network Configuration



Parameter	Description
Configured	Indicates whether network address is configured successfully or not. Options available: Disabled/Enabled. Default setting is <b>Disabled</b> .
Enable DHCP <sup>(Note)</sup>	Options available: Enabled/Disabled. Default setting is <b>Enabled</b> .
Local IP Address <sup>(Note)</sup>	Press [Enter] to configure local IP address.
Local NetMask <sup>(Note)</sup>	Press [Enter] to configure local NetMask.
Local Gateway <sup>(Note)</sup>	Press [Enter] to configure local Gateway
Local DNS Servers <sup>(Note)</sup>	Press [Enter] to configure local DNS servers
Save Changes and Exit	Press [Enter] and then choose to save or discard the changes made.

(Note) This item will appear on the screen when **Configured** is set to **Enabled**.



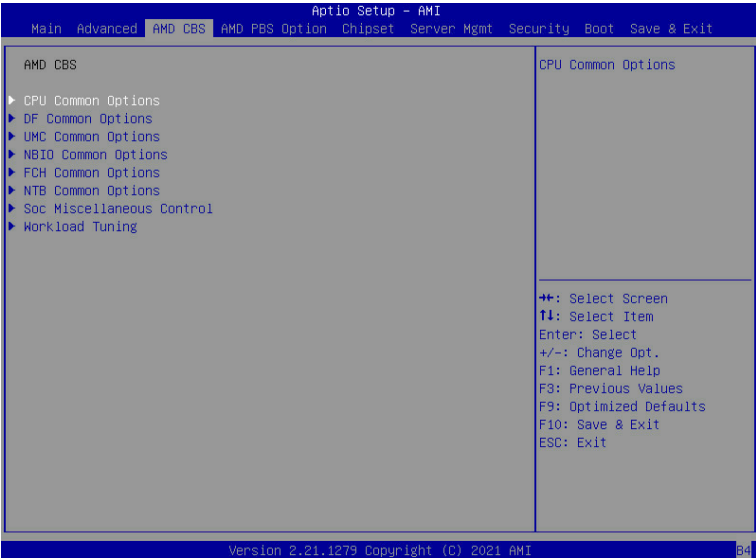
## 5-2-19 MAC IPv6 Network Configuration



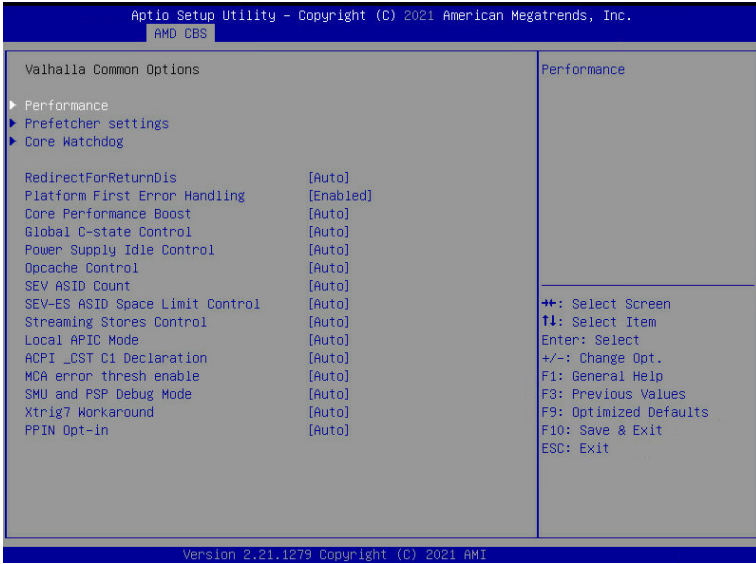
Parameter	Description
Enter Configuration Menu	<p>Press [Enter] for configuration of advanced items.</p> <ul style="list-style-type: none"> <li>◆ Interface Name</li> <li>◆ Interface Type</li> <li>◆ MAC address</li> <li>◆ Host address</li> <li>◆ Route Table</li> <li>◆ Gateway addresses</li> <li>◆ DNS addresses</li> <li>◆ Interface ID <ul style="list-style-type: none"> <li>– The 64-bit alternative interface ID for the device. The string is colon separated e.g. ff:dd:88:66:cc:1:2:3.</li> </ul> </li> <li>◆ DAD Transmit Count <ul style="list-style-type: none"> <li>– The number of consecutive Neighbor Solicitation messages sent while performing Duplicate Address Detection on a tentative address. A value of zero indicates that Duplicate Address Detection is not performed.</li> </ul> </li> <li>◆ Policy</li> <li>◆ Save Changes and Exit</li> </ul>

### 5-3 AMD CBS Menu

AMD CBS menu displays submenu options for configuring the CPU-related information that the BIOS automatically sets. Select a submenu item, then press [Enter] to access the related submenu screen.



### 5-3-1 Valhalla Common Options

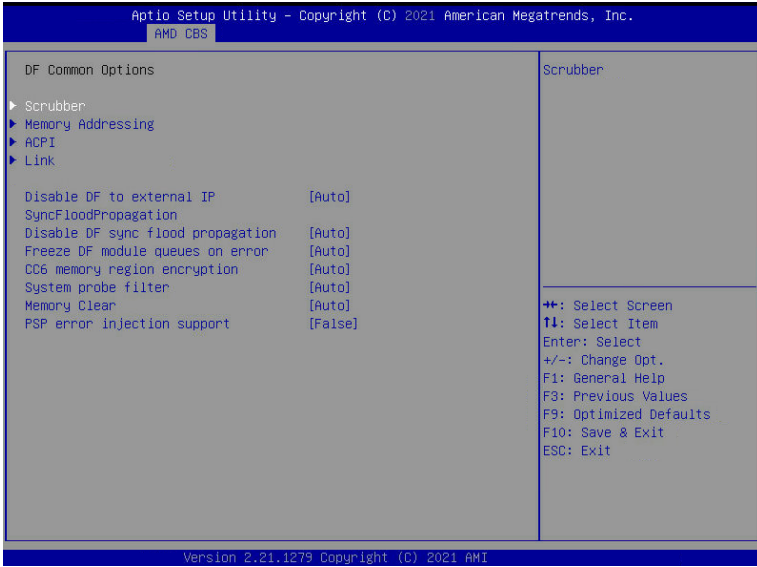


Parameter	Description
Valhalla Common Options	<p>Press [Enter] for more options.</p> <ul style="list-style-type: none"> <li>◆ Custom Core Pstates                             <ul style="list-style-type: none"> <li>– Allows you to accept or decline custom core pstates. When accepted you can disable or customize ceratin pstates.</li> </ul> </li> <li>◆ CCD/Core/Thread Enablement                             <ul style="list-style-type: none"> <li>– Allows you to accept or decline enabling CCDs, processor cores and threads. When accepted you can control the number of CCDs to be used, the number of cores to be used, and whether to enable or disable symmetric multithreading.</li> </ul> </li> </ul>
Performance	
Prefetcher settings	<p>Press [Enter] for more options.</p> <ul style="list-style-type: none"> <li>◆ L1 Stream HW Prefetcher                             <ul style="list-style-type: none"> <li>– Option to enable or disable L1 Stream HW Prefetcher</li> <li>– Options available: Disable/Enable/Auto. Default option is <b>Auto</b>.</li> </ul> </li> <li>◆ L2 Stream HW Prefetcher                             <ul style="list-style-type: none"> <li>– Option to enable or disable L2 Stream HW Prefetcher</li> <li>– Options available: Disable/Enable/Auto. Default option is <b>Auto</b>.</li> </ul> </li> </ul>
Core Watchdog	<p>Press [Enter] for more options.</p> <ul style="list-style-type: none"> <li>◆ Core Watchdog Timer Enable                             <ul style="list-style-type: none"> <li>– Enable or disable CPU watchdog timer.</li> <li>– Options available: Disable/Enable/Auto. Default option is <b>Auto</b>.</li> </ul> </li> </ul>

Parameter	Description
RedirectForReturnDis	From a workaround for GCC/C000005 issue for XV Core on CZ A0, setting MSRC001_1029 Decode Configuration (DE_CFG) bit 14 [DecfgNoRdrctForReturns] to 1. Options available: Auto/1/0. Default option is <b>Auto</b> .
Platform First Error Warning	Enable/Disable PFEH, cloak individual banks, and mask deferred error interrupts from each bank. Options available: Enabled/Disabled/Auto. Default option is <b>Enabled</b> .
Core Performance Boost	Allows you to disable CPB. Options available: Disabled/Auto. Default option is <b>Auto</b> .
Global C-State Control	Controls the IO based C-state generation and DF C-states. Options available: Disabled/Enabled/Auto. Default option is <b>Auto</b> .
Power Supply Idle Control	Configures the power supply idle control. Options available: Low Current Idle/Typical current Idle/Auto. Default option is <b>Auto</b> .
Opcache Control	Enables or disables the Opcache. Options available: Disabled/Enabled/Auto. Default option is <b>Auto</b> .
SEV ASID Count	This field specifies the max. valid ASID, which affects the maximum system physical address space. 16TB of physical address space is available for systems that support 253 ASIDs, while 8TB of physical address space is available for systems that support 509 ASIDs. Options available: 253 ASIDs/509 ASIDs/Auto. Default option is <b>Auto</b> .
SEV-ES ASID Space Limit Control	Space limit control for SEV-ES ASIDs. Options available: Auto/Manual. Default option is <b>Auto</b> .
Streaming Stores Control	Enables or disables the streaming stores functionality. Options available: Disabled/Enabled/Auto. Default option is <b>Auto</b> .
Local APIC Mode	Sets the Local APIC mode. Options available: xAPIC/x2APIC/Auto. Default option is <b>Auto</b> .
ACPI_CST C1 Decaration	Determines whether or not to declare the C1 state to the OS. Options available: Disabled/Enabled/Auto. Default option is <b>Auto</b> .
MCA error thresh enable	Enable MCA error thresholding. Options available: False/True/Auto. Default option is <b>Auto</b> .
SMU and PSP Debug Mode	When this option is enabled, specific uncorrected errors detected by the PSP FW or SMU FW will hand and not reset the system. Options available: Disabled/Enabled/Auto. Default option is <b>Auto</b> .

Parameter	Description
Xtrig7 Workaround	<p>By default (Auto) the bronze workaround is applied.</p> <p>Bronze workaround: DbReq and PDM function as expected, breakpoint redirect capability compromised.</p> <p>Silver workaround: DbReq, PDM, and breakpoint redirect function as expected, SCAN capability compromised.</p> <p>Options available: Auto/No Workaround/Bronze Workaround/Silver Workaround. Default option is <b>Auto</b>.</p>
PPIN Opt-in	<p>Turns on PPIN feature.</p> <p>Options available: Disabled/Enabled/Auto. Default option is <b>Auto</b>.</p>

### 5-3-2 DF Common Options



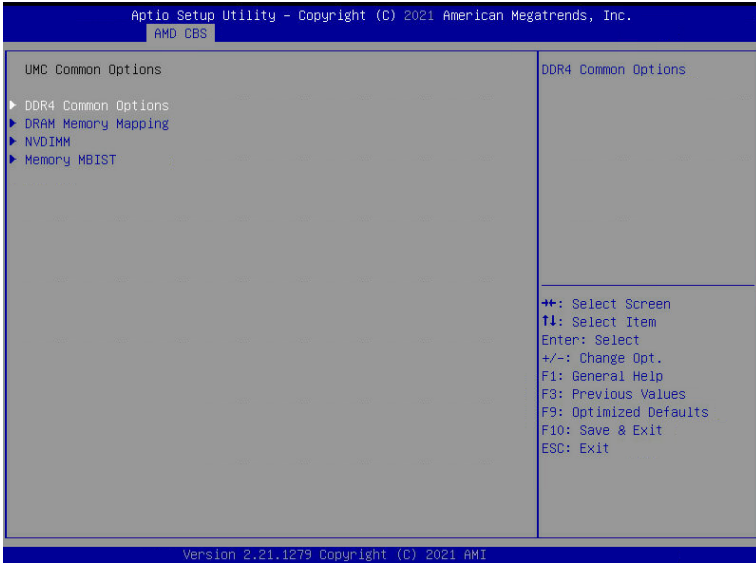
Parameter	Description
Scrubber	<p>Press [Enter] for configuration of advanced items.</p> <ul style="list-style-type: none"> <li>◆ DRAM scrub time               <ul style="list-style-type: none"> <li>– Provides a value that is the number of hours to scrub memory.</li> <li>– Options available: Disabled/1 hour/4 hours/8 hours/16 hours/24 hours/48 hours/Auto. Default option is <b>Auto</b>.</li> </ul> </li> <li>◆ Poison scrubber control               <ul style="list-style-type: none"> <li>– Allows you to enable or disable poison scrubber control.</li> <li>– Options available: Disabled/Enabled/Auto. Default option is <b>Auto</b>.</li> </ul> </li> <li>◆ Redirect scrubber control               <ul style="list-style-type: none"> <li>– Allows you to enable or disable redirect of scrubber control.</li> <li>– Options available: Disabled/Enabled/Auto. Default option is <b>Auto</b>.</li> </ul> </li> <li>◆ Redirect scrubber limit               <ul style="list-style-type: none"> <li>– Allows you to set the redirect scrubber limit.</li> <li>– Options available: 2/4/8/Infinite/Auto. Default option is <b>Auto</b>.</li> </ul> </li> </ul>

Parameter	Description
Memory Addressing	<p data-bbox="362 145 610 169">Press [Enter] for more options.</p> <ul style="list-style-type: none"> <li data-bbox="362 174 953 341">◆ NUMA nodes per socket <ul style="list-style-type: none"> <li data-bbox="405 205 953 283">– Specifies the number of desired NUMA (Non-uniform Memory Access) nodes per socket. Zero will attempt to interleave the two sockets together.</li> <li data-bbox="405 291 953 341">– Options available: NPS0/NPS1/NPS2/NPS4/Auto. Default option is <b>Auto</b>.</li> </ul> </li> <li data-bbox="362 349 953 459">◆ Memory interleaving <ul style="list-style-type: none"> <li data-bbox="405 381 953 431">– Allows for disabling memory interleaving. Note that NUMA nodes per socket will be honored regardless of this setting.</li> <li data-bbox="405 439 953 459">– Options available: Disabled/Auto. Default option is <b>Auto</b>.</li> </ul> </li> <li data-bbox="362 467 953 635">◆ Memory interleaving size <ul style="list-style-type: none"> <li data-bbox="405 498 953 577">– Controls the memory interleaving size. The valid value are AUTO, 256 bytes, 512 bytes, 1Kbytes or 2Kbytes. This determines the starting address of the interleave (bit 8, 9, 10 or 11).</li> <li data-bbox="405 584 953 635">– Options available: 256 Bytes/512 Bytes/1 KB/2KB/Auto. Default setting is <b>Auto</b>.</li> </ul> </li> <li data-bbox="362 642 953 810">◆ 1TB remap <ul style="list-style-type: none"> <li data-bbox="405 674 953 752">– Attempt to remap DRAM out of the space just below the 1TB boundary. The ability to remap depends on DRAM configuration, NPS, and interleaving selection, and may not always be possible.</li> <li data-bbox="405 760 953 810">– Options available: Do not remap/Attempt to remap/Auto. Default option is <b>Auto</b>.</li> </ul> </li> <li data-bbox="362 818 953 928">◆ DRAM map inversion <ul style="list-style-type: none"> <li data-bbox="405 849 953 900">– Inverting the map will cause the highest memory channels to get assigned the lowest addresses in the system.</li> <li data-bbox="405 907 953 928">– Options available: Disabled/Enabled/Auto. Default option is <b>Auto</b>.</li> </ul> </li> </ul>
ACPI	<p data-bbox="362 942 610 965">Press [Enter] for more options.</p> <ul style="list-style-type: none"> <li data-bbox="362 970 953 1138">◆ ACPI SRAT L3 Cache as NUMA Domain <ul style="list-style-type: none"> <li data-bbox="405 1001 953 1052">– Enabled: Each CCX in the system will be declared as a separate NUMA domain.</li> <li data-bbox="405 1059 953 1110">– Disabled: Memory Addressing \ NUMA nodes per socket will be declared.</li> <li data-bbox="405 1117 953 1138">– Options available: Disable/Enable/Auto. Default option is <b>Auto</b>.</li> </ul> </li> <li data-bbox="362 1146 953 1224">◆ ACPI SLIT Distance Control <ul style="list-style-type: none"> <li data-bbox="405 1177 953 1197">– Determines how the SLIT distances are declared.</li> <li data-bbox="405 1205 953 1224">– Options available: Manual/Auto. Default option is <b>Auto</b>.</li> </ul> </li> <li data-bbox="362 1232 953 1342">◆ ACPI SLIT remote relative distance <ul style="list-style-type: none"> <li data-bbox="405 1263 953 1313">– Set the remote socket distance for 2P systems as near (2.8) or far (3.2).</li> <li data-bbox="405 1321 953 1342">– Options available: Near/Far/Auto. Default option is <b>Auto</b>.</li> </ul> </li> </ul>

Parameter	Description
Link	<p>Press [Enter] for more options.</p> <ul style="list-style-type: none"> <li>◆ GMI encryption control <ul style="list-style-type: none"> <li>– Control GMI link encryption.</li> <li>– Options available: Disable/Enable/Auto. Default option is <b>Auto</b>.</li> </ul> </li> <li>◆ xGMI encryption control <ul style="list-style-type: none"> <li>– Control xGMI link encryption. Options available: Disable/Enable/Auto. Default option is <b>Auto</b>.</li> </ul> </li> <li>◆ CAKE CRC perf bounds control <ul style="list-style-type: none"> <li>– Control CAKE CRC perf bounds</li> <li>– Options available: Auto/Manual. Default option is <b>Auto</b>.</li> </ul> </li> <li>◆ 4-link xGMI max speed <ul style="list-style-type: none"> <li>– Set 4-link xGMI max speed.</li> <li>– Options available: 10.667Gbps/13Gbps/16Gbps/18Gbps/Auto. Default option is <b>Auto</b>.</li> </ul> </li> <li>◆ 3-link xGMI max speed <ul style="list-style-type: none"> <li>– Set 3-link xGMI max speed.</li> <li>– Options available: 10.667Gbps/13Gbps/16Gbps/18Gbps/Auto. Default option is <b>Auto</b>.</li> </ul> </li> <li>◆ xGMI TXEQ Mode <ul style="list-style-type: none"> <li>– Select XGMI TXEQ/RX vetting Mode.</li> <li>– Options available: TXEQ_Disabled/TXEQ_LAne/TXEQ_Link/TXEQ_RX_Vet/Auto. Default option is <b>Auto</b>.</li> </ul> </li> </ul>
Disable DF to external IP Sync Flood Propagation	<p>Disable SyncFlood to UMC &amp; downstream slaves.</p> <p>Options available: Sync flood disabled/Sync flood enabled/Auto. Default option is <b>Auto</b>.</p>
Disable DF sync flood propagation	<p>Enable/Disable DF SyncFlood.</p> <p>Options available: Sync flood disabled/Sync flood enabled/Auto. Default option is <b>Auto</b>.</p>
Freeze DF module queues on error	<p>Controls DF PIE Config. Disabling this options sets DF:PIEConfig.</p> <p>Options available: Disable/Enable/Auto. Default option is <b>Auto</b>.</p>
CC6 memory region encryption	<p>Control whether or not the CC6 save/restore memory is encrypted.</p> <p>Options available: Disable/Enable/Auto. Default option is <b>Auto</b>.</p>
System probe filter	<p>Controls whether or not the probe filter is enabled. Has no effect on parts where the probe filter is fuse disabled.</p> <p>Options available: Disable/Enable/Auto. Default option is <b>Auto</b>.</p>
Memory Clear	<p>When this feature is disabled, BIOS does not implement MemClear after memory training (only if non-ECC DIMMs are used).</p> <p>Options available: Disable/Enable/Auto. Default option is <b>Auto</b>.</p>
PSP error injection support	<p>Select <b>True</b> to enable error injection.</p> <p>Options available: False/True. Default option is <b>False</b>.</p>



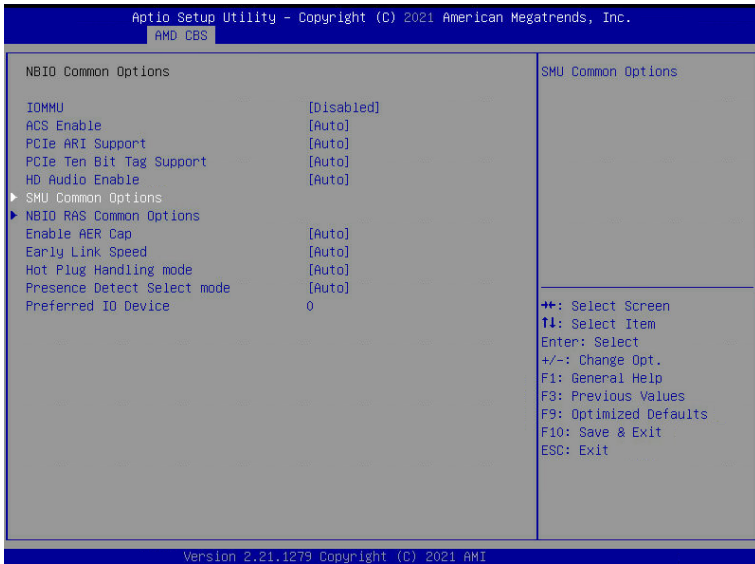
### 5-3-3 UMC Common Options



Parameter	Description
DDR4 Common Options	<p>Press [Enter] for more options.</p> <ul style="list-style-type: none"> <li>◆ Enforce POR               <ul style="list-style-type: none"> <li>– Press [Enter] to configure the enforcement of Plan Of Record (POR) which enables enforcement of POR restrictions for DDR4 frequency and voltage programming.</li> </ul> </li> <li>◆ DRAM Controller Configuration               <ul style="list-style-type: none"> <li>– Press [Enter] to configure DRAM controller options.</li> </ul> </li> <li>◆ CAD Bus Configuration               <ul style="list-style-type: none"> <li>– Press [Enter] to configure CAD Bus options.</li> </ul> </li> <li>◆ Data Bus configuration               <ul style="list-style-type: none"> <li>– Press [Enter] to configure Data Bus options.</li> </ul> </li> <li>◆ Common RAS               <ul style="list-style-type: none"> <li>– Press [Enter] to configure Common RAS options.</li> </ul> </li> <li>◆ Security               <ul style="list-style-type: none"> <li>– Press [Enter] to configure UMC security options.</li> </ul> </li> </ul>

Parameter	Description
DRAM Memory Mapping	<p data-bbox="370 147 604 166">Press [Enter] for more options</p> <ul style="list-style-type: none"> <li data-bbox="370 174 951 252">◆ Chipselect Interleaving <ul style="list-style-type: none"> <li data-bbox="405 205 951 224">– Interleave memory blocks across the DRAM chip selects for node 0</li> <li data-bbox="405 232 951 250">– Options available: Disabled/Auto. Default option is <b>Auto</b>.</li> </ul> </li> <li data-bbox="370 260 951 432">◆ BankGroupSwap <ul style="list-style-type: none"> <li data-bbox="405 291 951 401">– Configures the BankGroupSwap. BankGroupSwap (BGS) is a memory mapping option in AGESA that alters how applications get assigned to physical locations within the memory modules. When this option sets to Auto, it is null.</li> <li data-bbox="405 409 951 428">– Options available: Enabled/Disabled/Auto. Default option is <b>Auto</b>.</li> </ul> </li> <li data-bbox="370 440 951 519">◆ BankGroupSwapAlt <ul style="list-style-type: none"> <li data-bbox="405 464 708 482">– Configures the BankGroupSwapAlt.</li> <li data-bbox="405 490 951 509">– Options available: Enabled/Disabled/Auto. Default option is <b>Auto</b>.</li> </ul> </li> <li data-bbox="370 526 951 605">◆ Address Hash Bank <ul style="list-style-type: none"> <li data-bbox="405 550 751 569">– Enable or disable bank address hashing.</li> <li data-bbox="405 577 951 595">– Options available: Disabled/Enabled/Auto. Default option is <b>Auto</b>.</li> </ul> </li> <li data-bbox="370 613 951 691">◆ Address Hash CS <ul style="list-style-type: none"> <li data-bbox="405 636 735 655">– Enable or disable CS address hashing.</li> <li data-bbox="405 663 951 682">– Options available: Auto/Enabled/Disabled. Default option is <b>Auto</b>.</li> </ul> </li> <li data-bbox="370 699 951 777">◆ Address Hash Rm <ul style="list-style-type: none"> <li data-bbox="405 722 740 741">– Enable or disable RM address hashing.</li> <li data-bbox="405 749 951 768">– Options available: Auto/Enabled/Disabled. Default option is <b>Auto</b>.</li> </ul> </li> <li data-bbox="370 785 951 926">◆ SPD Read Optimization <ul style="list-style-type: none"> <li data-bbox="405 816 951 895">– Enable or disable SPD Read Optimization. Enabled = SPD reads are skipped for Reserved fields and most of upper 256 Bytes, Disabled = read all 512 SPD Bytes.</li> <li data-bbox="405 903 951 921">– Options available: Auto/Enabled/Disabled. Default option is <b>Auto</b>.</li> </ul> </li> </ul>
NVDIMM	Press [Enter] for more options.
Memory MBIST	<p data-bbox="370 981 604 1000">Press [Enter] for more options</p> <ul style="list-style-type: none"> <li data-bbox="370 1008 951 1086">◆ MBIST Enable <ul style="list-style-type: none"> <li data-bbox="405 1031 697 1050">– Enable or disable Memory MBIST.</li> <li data-bbox="405 1058 951 1077">– Options available: Disabled/Enabled. Default option is <b>Disabled</b>.</li> </ul> </li> <li data-bbox="370 1094 951 1146">◆ Data Eye <ul style="list-style-type: none"> <li data-bbox="405 1117 671 1136">– Press [Enter] for more options.</li> </ul> </li> </ul>

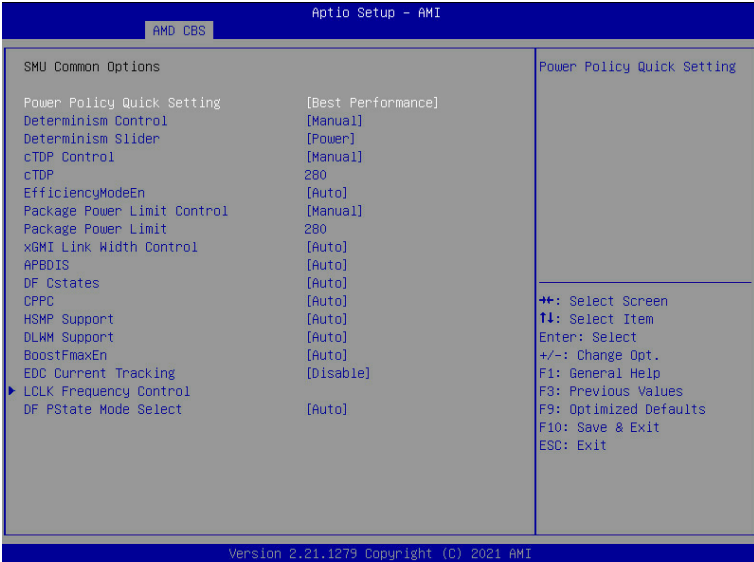
## 5-3-4 NBIO Common Options



Parameter	Description
NBIO Common Options	
IOMMU	Enable/Disable the IOMMU function. Options available: Enabled/Disabled. Default setting is <b>Disabled</b> .
DMAR Support	Enable DMAR system protection during POST. Options available: Auto, Enabled/Disabled. Default setting is <b>Auto</b> .
PCIe ARI Support	Enable/Disable Alternative Routing-ID Interpretation. Options available: Auto, Enabled, Disabled. Default setting is <b>Auto</b> .
PCIe ARI Enumeration	ARI Forwarding Enable for each downstream port. Options available: Auto, Enabled, Disabled. Default setting is <b>Auto</b> .
PCIe Ten Bit Tag Support	Enable/Disable PCIe ten bit tags for supported devices. (Auto=Disabled) Options available: Auto, Enabled, Disabled. Default setting is <b>Auto</b> .
SMU Common Options	Press [Enter] for configuration of advanced items.
NBIO RAS Common Options	Press [Enter] for configuration of advanced items.
Enable AER Cap	Enable/Disable Advanced Error Reporting Capability. Options available: Auto, Enabled, Disabled. Default setting is <b>Auto</b> .
Early Link Speed	Configures Early Link Speed. Options available: Auto, Gen1, Gen2. Default setting is <b>Auto</b> .

Parameter	Description
Hot Plug Handling mode	Controls the Hot Plug Handling mode. Options available: Auto, A0 Mode, OS First (No Error Handling), OS First (Error Handling-Not Implemented), Firmware First (Not Implemented). Default setting is <b>Auto</b> .
Presence Detect Select mode	Controls the Presence Detect Select mode. Options available: Auto, OR, AND. Default setting is <b>Auto</b> .
Preferred IO Device	Configures Preferred IO Device. Options available: Auto, Manual. Default setting is <b>Auto</b> .
Loopback Mode	Enabled/Disabled PCIe Loopback mode. Options available: Auto, Enabled, Disabled. Default setting is <b>Auto</b> .
CV test	Set this to Enabled to support running PCIECV tool. Auto: preserve hardware defaults. Options available: Auto, Enabled, Disabled. Default setting is <b>Auto</b> .
CAC Weight Adjustment	EDC Mode select. Options available: Auto, Enabled, Disabled. Default setting is <b>Auto</b> .
SEV-SNP Support	Options available: Enable, Disable. Default setting is <b>Enable</b> .
SRIS	Options available: Auto, Enable, Disable. Default setting is <b>Auto</b> .
EDC Control	Options available: Auto, Enable, Disable. Default setting is <b>Auto</b> .

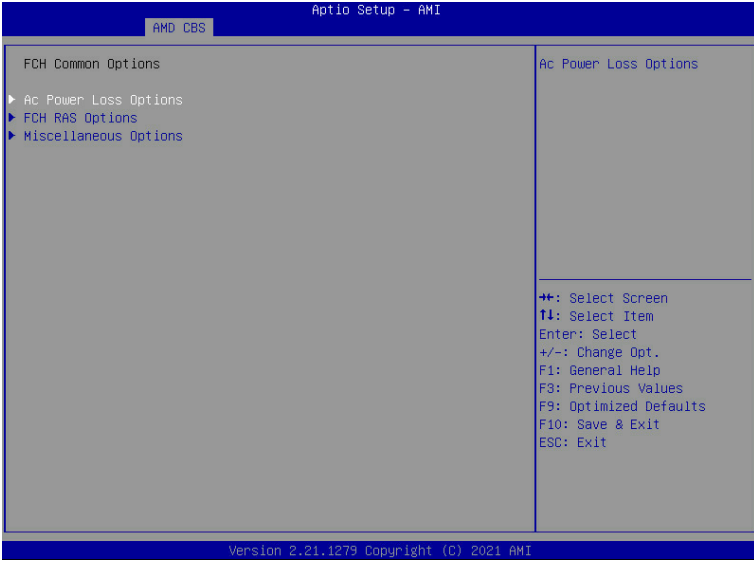
### 5-3-4-1 SMU Common Options



Parameter	Description
SMU Common Options	
Power Policy Quick Setting	Options available: Standard, Best Performance, Energy Efficient. Default setting is <b>Standard</b>
Determinism Control	Selects use the fused Determinism or set customized Determinism. Options available: Auto/Manual. Default setting is <b>Auto</b> .
Determine Slider	Options available: Auto/Power, Performance. Default setting is <b>Power</b> .
cTDP Control	Selects use the fused TDP or set customized TDP. **TDP is used to define the RC thermal model only** Options available: Auto/Manual. Default setting is <b>Auto</b> .
cTDP	Display cTDP information.
EfficiencyModeEn	Options available: Auto/Enabled. Default setting is <b>Auto</b> .
Package Power Limit Control	Selects use the fused PPT or set customized PPT. **PPT will be used as the ASIC power limit** Options available: Auto/Manual. Default setting is <b>Auto</b>
Package Power Limit	Display Package Power Limit information
xGMI Link Width Control	Options available: Auto/Enabled. Default setting is <b>Auto</b> .
APBDIS	Options available: Auto, 0, 1. Default setting is <b>Auto</b> .
DF Cstates	Enable/Disable DF C-states. Options available: Auto, Enabled, Disabled. Default setting is <b>Auto</b> .

Parameter	Description
CPPC	Enable/Disable the CPPC feature. Options available: Auto, Enabled, Disabled. Default setting is <b>Auto</b> .
HSMP Support	Select HSMP support enable or disable. Options available: Auto, Enabled, Disabled. Default setting is <b>Auto</b>
DLMM Support	Select DLMM support enable or disable. Options available: Auto, Enabled, Disabled. Default setting is <b>Auto</b> .
BoostFmaxEn	Options available: Auto/Enabled. Default setting is <b>Auto</b> .
EDC Current	Options available: Enable, Disable. Default setting is <b>Disable</b> .
LCLK Frequency Control	Press [Enter] for advanced configuration.
DF PSTATE Mode Select	Option available: Normal, limit Highest, Limit All, Auto. Default setting is <b>Auto</b> .

### 5-3-5 FCH Common Options



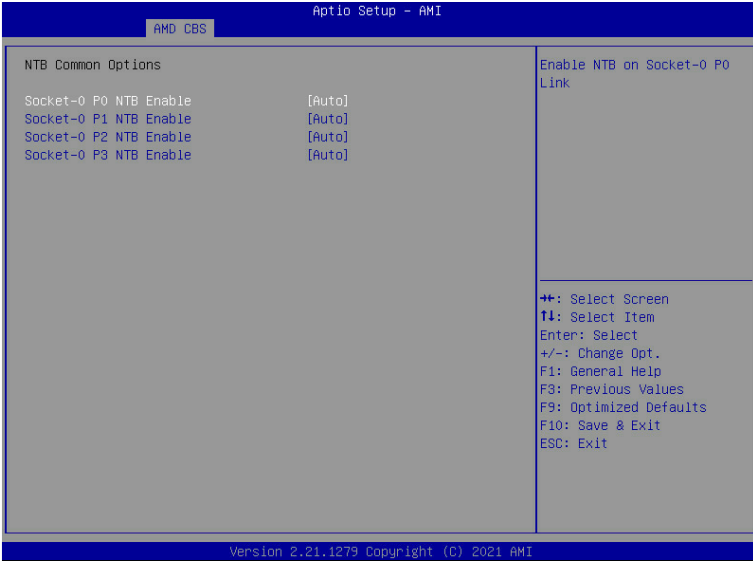
Parameter	Description
FCH Common Options	
SATA Configuration Options	<ul style="list-style-type: none"> <li>◆ SATA Enable                             <ul style="list-style-type: none"> <li>– Enable or disable OnChip SATA controller.</li> <li>– Options available: Disabled/Enabled/Auto. Default setting is <b>Auto</b>.</li> </ul> </li> <li>◆ SATA RAS Support                             <ul style="list-style-type: none"> <li>– Enable or disable SATA RAS support.</li> <li>– Options available: Disabled/Enabled/Auto. Default setting is <b>Auto</b>.</li> </ul> </li> <li>◆ Sata Disabled AHCI Prefetch Function                             <ul style="list-style-type: none"> <li>– Enable or disable Sata Disabled AHCI Prefetch Function.</li> <li>– Options available: Disabled/Enabled/Auto. Default setting is <b>Auto</b>.</li> </ul> </li> <li>◆ Aggressive SATA Device Sleep Port 0                             <ul style="list-style-type: none"> <li>– Options available: Disabled/Enabled/Auto. Default setting is <b>Auto</b>.</li> </ul> </li> <li>◆ Aggressive SATA Device Sleep Port 1                             <ul style="list-style-type: none"> <li>– Options available: Disabled/Enabled/Auto. Default setting is <b>Auto</b>.</li> </ul> </li> </ul>

Parameter	Description
USB Configuration Options	<p>Press [Enter] for more options.</p> <ul style="list-style-type: none"> <li>◆ XHCI Controller0 Enable <ul style="list-style-type: none"> <li>– Enable or disable USB3 controller.</li> <li>– Options available: Enabled/Disabled/Auto. Default setting is <b>Auto</b>.</li> </ul> </li> <li>◆ XHCI Controller1 Enable <ul style="list-style-type: none"> <li>– Enable or disable USB3 controller.</li> <li>– Options available: Enabled/Disabled/Auto. Default setting is <b>Auto</b>.</li> </ul> </li> <li>◆ USB ecc SMI Enable <ul style="list-style-type: none"> <li>– Options available: Enabled/Off/Auto. Default setting is <b>Auto</b>.</li> </ul> </li> <li>◆ MCM USB enable <ul style="list-style-type: none"> <li>– Press [Enter] for advanced configurations.</li> </ul> </li> </ul>
SD Dump Options	<p>Press [Enter] for more options.</p> <ul style="list-style-type: none"> <li>◆ SD Configuration Mode <ul style="list-style-type: none"> <li>– Select SD Mode.</li> <li>– Options available: SD Dump disabled/SD Dump Enabled. Default setting is <b>SD Dump disabled</b>.</li> </ul> </li> </ul>
AC Power Loss Options	<p>Press [Enter] for more options.</p> <ul style="list-style-type: none"> <li>◆ AC Loss Control <ul style="list-style-type: none"> <li>– Select AC Loss Control Method.</li> <li>– Options available: Power Off/Power On/Last State. Default setting is <b>Last State</b>.</li> </ul> </li> </ul>
I2C Configuration Options	<p>Press [Enter] for more options.</p> <ul style="list-style-type: none"> <li>◆ I2C 0/1/2/3/4/5 Enable <ul style="list-style-type: none"> <li>– Enable or disable I2C 0/1/2/3/4/5.</li> <li>– Options available: Disabled/Enabled/Auto. Default setting is <b>Auto</b>.</li> </ul> </li> </ul>
Uart Configuration Options	<p>Press [Enter] for more options.</p> <ul style="list-style-type: none"> <li>◆ Uart 0 Enable <ul style="list-style-type: none"> <li>– Uart 0 has no HW FC if Uart 2 is enabled.</li> <li>– Options available: Disabled/Enabled/Auto. Default setting is <b>Auto</b>.</li> </ul> </li> <li>◆ Uart 1 Enable <ul style="list-style-type: none"> <li>– Uart 1 has no HW FC if Uart 3 is enabled.</li> <li>– Options available: Disabled/Enabled/Auto. Default setting is <b>Auto</b>.</li> </ul> </li> <li>◆ Uart 2 Enable (no HW FC) <ul style="list-style-type: none"> <li>– Options available: Disabled/Enabled/Auto. Default setting is <b>Auto</b>.</li> </ul> </li> <li>◆ Uart 3 Enable (no HW FC) <ul style="list-style-type: none"> <li>– Options available: Disabled/Enabled/Auto. Default setting is <b>Auto</b>.</li> </ul> </li> </ul>
ESPI Configuration Options	<p>Press [Enter] for more options.</p> <ul style="list-style-type: none"> <li>◆ ESPI Enable <ul style="list-style-type: none"> <li>– Options available: Disabled/Enabled/Auto. Default setting is <b>Auto</b>.</li> </ul> </li> </ul>



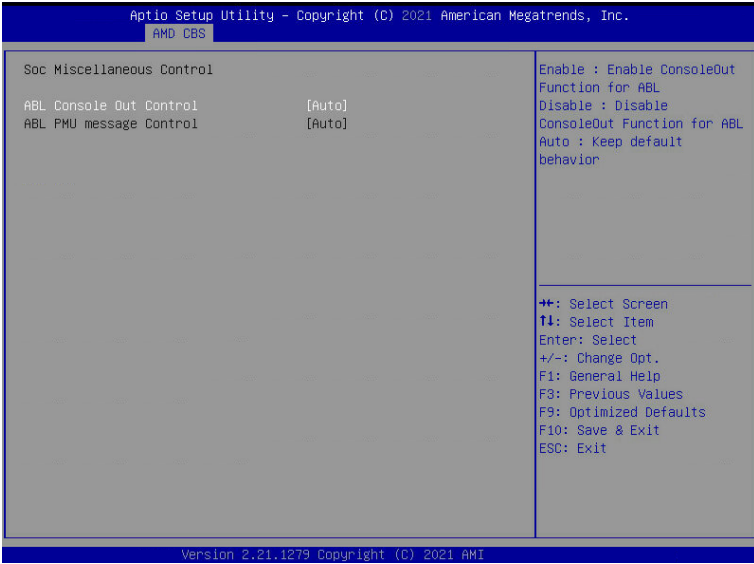
Parameter	Description
eMMC Options	<p>Press [Enter] for more options.</p> <ul style="list-style-type: none"> <li>◆ eMMC/SD Configure <ul style="list-style-type: none"> <li>– Options available: Disabled/SD Normal Speed/SD High Speed/SD UHSI-SDR50/SD UHSI-DDR50/SDUHSI-SDR104/eMMC Emmc Backward Compatibility/eMMC High Speed SDR/eMMC High Speed DDR/eMMC HS200/eMMC HS400/eMMC HS300/Auto. Default setting is <b>Auto</b>.</li> </ul> </li> <li>◆ Driver Type <ul style="list-style-type: none"> <li>– BIOS will select MS driver for SD selections.</li> <li>– Options available: AMD eMMC Driver/MS Driver/Auto. Default setting is <b>Auto</b>.</li> </ul> </li> <li>◆ D3 Cold Support <ul style="list-style-type: none"> <li>– Options available: Disabled/Enabled/Auto. Default setting is <b>Auto</b>.</li> </ul> </li> <li>◆ eMMC Boot <ul style="list-style-type: none"> <li>– Options available: Disabled/Enabled/Auto. Default setting is <b>Auto</b>.</li> </ul> </li> </ul>
FCH RAS Options	<p>Press [Enter] for more options.</p> <ul style="list-style-type: none"> <li>◆ ALink RAS Support <ul style="list-style-type: none"> <li>– Options available: Disabled/Enabled/Auto. Default setting is <b>Auto</b>.</li> </ul> </li> <li>◆ Reset after sync flood <ul style="list-style-type: none"> <li>– Enable AB to forward downstream sync-flood message to system controller.</li> <li>– Options available: Disabled/Enabled/Auto. Default setting is <b>Auto</b>.</li> </ul> </li> </ul>

### 5-3-6 NTB Common Options



Parameter	Description
NTB Common Options	
NTB Enable	Enable or disable OnChip SATA controller. Options available: Auto/Enable. Default setting is <b>Auto</b> .

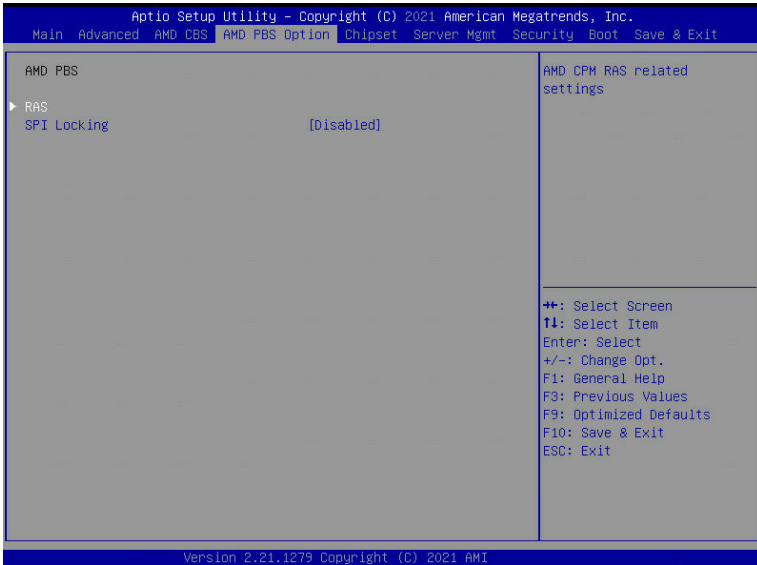
### 5-3-7 SOC Miscellaneous Control



Parameter	Description
Soc Miscellaneous Control	
ABL Console Out Control	Enable = Enable ConsoleOut Function for ABL Disable = Disable ConsoleOut Function for ABL Auto = Keep default behavior Options available: Disable/Enable/Auto. Default setting is <b>Auto</b> .

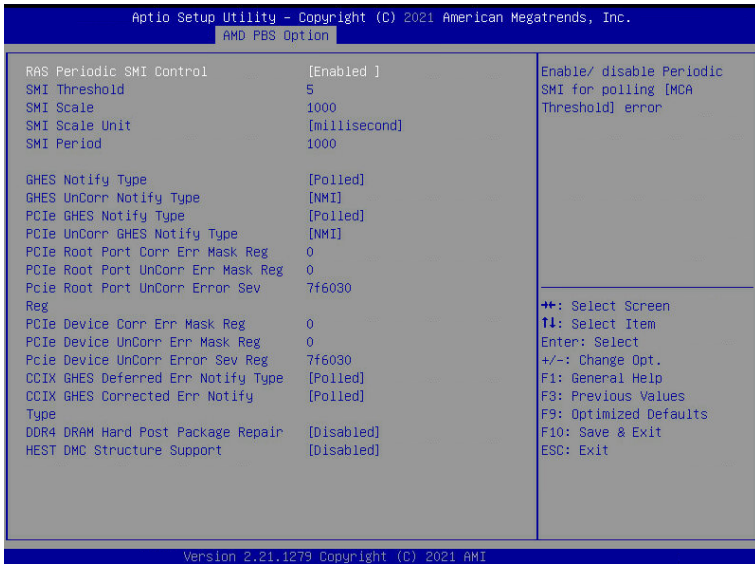
## 5-4 AMD PBS Option Menu

AMD PBS Option menu displays submenu options for configuring the function of AMD PBS. Select a submenu item, then press [Enter] to access the related submenu screen.



Parameter	Description
AMD PBS	
RAS	Press [Enter] for advanced configurations.
SPI Locking	Enable or disable SPI Locking for protect ROM part. Options Available: Enabled/Disabled. Default option is <b>Disabled</b> .

## 5-4-1 RAS

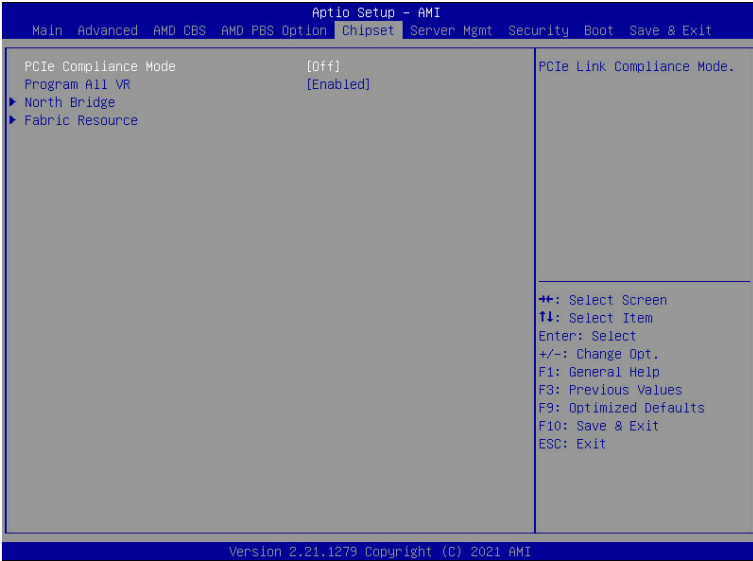


Parameter	Description
RAS Periodic SMI Control	Enable or disable Periodic SMI for polling [MCA Threshold] error. Options Available: Disabled/Enabled. Default option is <b>Enabled</b> .
SMI Threshold	Enter a value. Limits the number of [MCA Threshold and Deferred Error SMI source] per a unit of time (Defined by [SMI Scale]). Default value is <b>5 dec interrupts</b> .
SMI Scale	Enter a value. Defines the time scale. Default value is <b>1000 dec</b> .
SMI Scale Unit	Defines the unit of time scale. Options available: millisecond/second/minute. Default option is <b>millisecond</b> .
SMI Period	Enter a value. Defines the polling interval in milliseconds. Default option is <b>1000 dec</b> . Maximum value is 32767 dec. 0 = disable.
GHEs Notify Type	Notification type for deferred/corrected errors. Options Available: Polled/SCI. Default option is <b>Polled</b> .
GHEs UnCorr Notify Type	Notification type for uncorrected errors. Options Available: Polled/NMI. Default option is <b>NMI</b> .
PCIe GHEs Notify Type	Notification type for PCIe corrected errors. Options Available: Polled/SCI. Default option is <b>Polled</b> .

Parameter	Description
PCIe UnCorr GHES Notify Type	Notification type for PCIe uncorrected errors. Options Available: Polled/NMI. Default option is <b>NMI</b> .
PCIe Root Port Corr Err Mask Reg	Enter a value. Initialize the PCIe AER Corrected Error Mask register of Root Port.
PCIe Root Port UnCorr Err Mask Reg	Enter a value. Initialize the PCIe AER Uncorrected Error Mask register of Root Port.
PCIe Root Port UnCorr Error Sev Reg	Enter a value. Initialize the PCIe AER Uncorrected Error Severity register of Root Port.
PCIe Device Corr Err Mask Reg	Enter a value. Initialize the PCIe AER Corrected Error Mask register of PCIe Device.
PCIe Device UnCorr Err Mask Reg	Enter a value. Initialize the PCIe AER Uncorrected Error Mask register of PCIe Device.
PCIe Device UnCorr Error Sev Reg	Enter a value. Initialize the PCIe AER Uncorrected Error Severity registers of PCIe Device.
CCIX GHES Deferred Err Notify Type	Notification type for CCIX deferred errors. Options Available: Polled/SCI. Default option is <b>Polled</b> .
CCIX GHES Corrected Err Notify Type	Notification type for CCIX corrected errors. Options Available: Polled/SCI. Default option is <b>Polled</b> .
DDR4 DRAM Hard Post Package Repair	This feature allows spare DRAM rows to replace malfunctioning rows via an in-field repair mechanism. Options Available: Disabled/Enabled. Default option is <b>Disabled</b> .
HEST DMC Structure Support	HEST DMC (Deferred Machine Check) Structure Support. Options Available: Disabled/Enabled. Default option is <b>Disabled</b> .

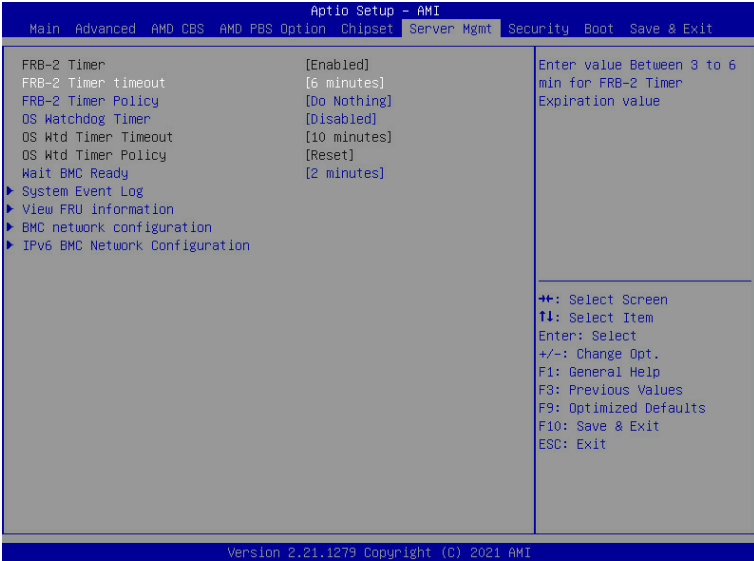
## 5-5 Chipset Setup Menu

Chipset Setup menu displays submenu options for configuring the function of the SoC. Select a submenu item, then press [Enter] to access the related submenu screen.



Parameter	Description
PCIe Link Training Type	PCIe Link training in 1 or 2 steps. Options available: 1 Step/2Step. Default setting is <b>1 Step</b> .
PCIe Compliance Mode	Options available: On/Off. Default setting is <b>Off</b> .
Program All VR	Enables or disables program all VR on MB. Options available: Disabled/Enabled. Default setting is <b>Enabled</b> .
North Bridge	Press [Enter] for more information on the North Bridge.

# 5-6 Server Management Menu

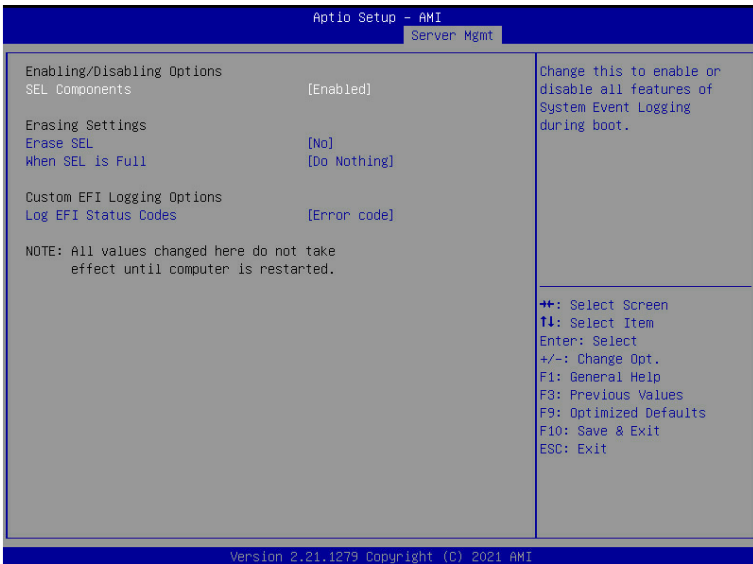


Parameter	Description
FRB-2 Timer	FRB-2 timer (POST timer).
FRB-2 Timer timeout	Configure the FRB2 Timer timeout. Options available: 3 minutes/4 minutes/5 minutes/6 minutes. Default setting is <b>6 minutes</b> . (NOTE) This item is configurable when FRB-2 Timer is set to Enabled.
FRB-2 Timer Policy	Configure the FRB2 Timer policy. Options available: Do Nothing/Reset/Power Down. Default setting is <b>Do Nothing</b> . (NOTE ) This item is configurable when FRB-2 Timer is set to Enabled.
OS Watchdog Timer	Enable/Disable OS Watchdog Timer function. Options available: Enabled/Disabled. Default setting is <b>Disabled</b> .
OS Wtd Timer Timeout	Configure OS Watchdog Timer. Options available: 5 minutes/10 minutes/15 minutes/20 minutes. Default setting is <b>10 minutes</b> . (NOTE) This item is configurable when OS Watchdog Timer is set to Enabled.
OS Wtd Timer Policy	Configure OS Watchdog Timer Policy. Options available: Reset/Do Nothing/Power Down. Default setting is <b>Reset</b> . (NOTE) This item is configurable when OS Watchdog Timer is set to Enabled.
Wait BMC Ready	Configure time to wait BMC ready. Options available: Disabled/2 minutes/4 minutes/6 minutes. Default setting is <b>2 minutes</b> .
System Event Log	Press [Enter] to configure advanced items.



<b>Parameter</b>	<b>Description</b>
View FRU Information	Press [Enter] to view the advanced items.
BMC network configuration	Press [Enter] to configure advanced items.
IPv6 BMC Network Configuration	Press [Enter] to configure advanced items.

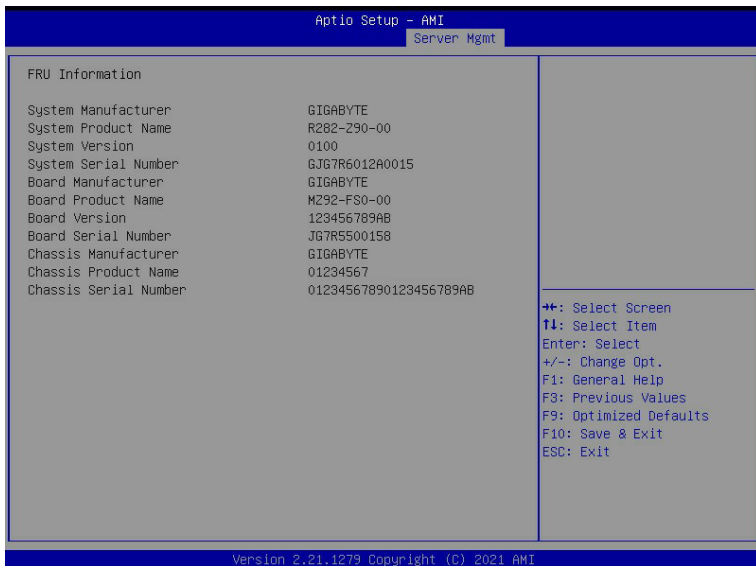
## 5-6-1 System Event Log



Parameter	Description
Enabling / Disabling Options	
SEL Components	Change this item to enable or disable all features of System Event Logging during boot. Options available: Enabled/Disabled. Default setting is <b>Enabled</b> .
Erasing Settings	
Erasing SEL	Choose options for erasing SEL. Options available: No/Yes, On next reset/Yes, On every reset. Default setting is <b>No</b> .
When SEL is Full	Choose options for reactions to a full SEL. Options available: Do Nothing/Erased Immediately. Default setting is <b>Do Nothing</b> .
Custom EFI Logging Options	
Log EFI Status Codes	Enable/Disable the logging of EFI Status Codes (if not already converted to legacy). Options available: Disabled/Both/Error code/Progress code. Default setting is <b>Error code</b> .

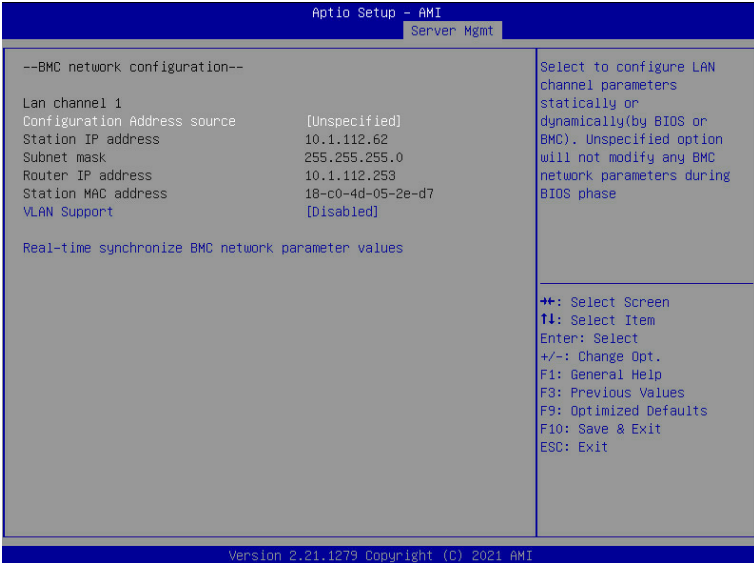
## 5-6-2 View FRU Information

The FRU page is a simple display page for basic system ID information, as well as System product information. Items on this window are non-configurable.



(Note) The model name will vary depends on the product you purchased.

### 5-6-3 BMC Network Configuration



Parameter	Description
BMC network configuration	
Lan Channel 1	
Configuration Address source	Select to configure LAN channel parameters statically or dynamically (DHCP). Do nothing option will not modify any BMC network parameters during BIOS phase. Options available: Unspecified/Static/DynamicBmcDhcp. Default setting is <b>DynamicBmcDhcp</b> .
Station IP address	Displays IP Address information.
Subnet mask	Displays Subnet Mask information.
Router IP address	Displays the Router IP Address information.
Station MAC address	Displays the MAC Address information.
Real-time synchronize BMC network parameter values	Press [Enter] to synchronize the BMC network parameter values.

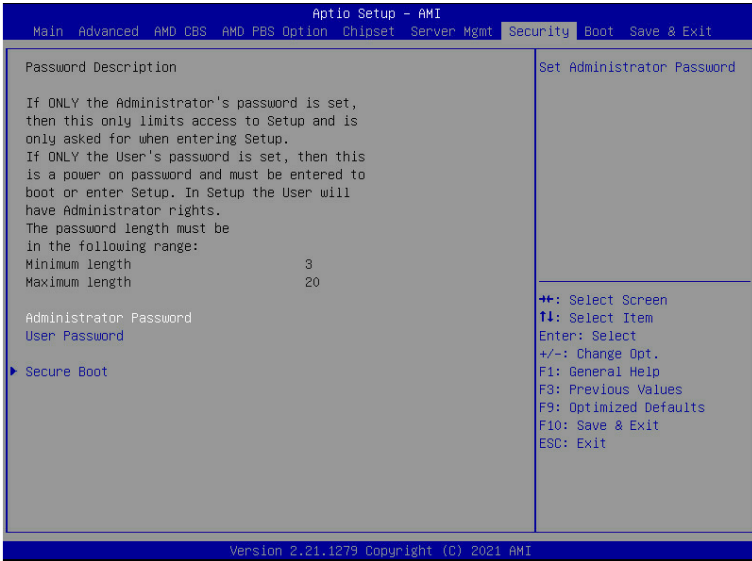
## 5-6-4 IPv6 BMC Network Configuration



Parameter	Description
IPv6 BMC Network Configuration	
IPv6 BMC Lan Channel 1	
IPv6 BMC Lan Option	Enable/Disable IPv6 BMC LAN channel function. When this item is disabled, the system will not modify any BMC network during BIOS phase. Options available: Unspecified/Disable/Enable. Default setting is <b>Enable</b> .
IPv6 BMC Lan IP Address Source	Select to configure LAN channel parameters statically or dynamically (by BIOS or BMC). Options available: Unspecified/Static/Dynamic-Obtained by BMC running DHCP. Default setting is <b>Dynamic-Obtained by BMC running DHCP</b> .
IPv6 BMC Lan IP Address/Prefix Length	Check if the IPv6 BMC LAN IP address matches those displayed on the screen.

# 5-7 Security Menu

The Security menu allows you to safeguard and protect the system from unauthorized use by setting up access passwords.



There are two types of passwords that you can set:

- Administrator Password  
Entering this password will allow the user to access and change all settings in the Setup Utility.
- User Password  
Entering this password will restrict a user's access to the Setup menus. To enable or disable this field, a Administrator Password must first be set. A user can only access and modify the System Time, System Date, and Set User Password fields.

Parameter	Description
Administrator Password	Press [Enter] to configure the administrator password.
User Password	Press [Enter] to configure the user password.
Secure Boot	Press [Enter] to configure advanced items.

## 5-7-1 Secure Boot



Parameter	Description
System Mode	Displays the system is in User mode or Setup mode.
Secure Boot	Enables/Disables Secure Boot. The mode change requires a platform reset. Options available: Disabled/Enabled. Default setting is <b>Disabled</b> .
Secure Boot Mode <sup>(Note)</sup>	Secure Boot requires all the applications that are running during the booting process to be pre-signed with valid digital certificates. This way, the system knows all the files being loaded before Windows loads and gets to the login screen have not been tampered with. When set to Standard, it will automatically load the Secure Boot keys from the BIOS databases. When set to Custom, you can customize the Secure Boot settings and manually load its keys from the BIOS database. Options available: Standard/Custom. Default setting is <b>Custom</b> .
Restore Factory Keys	Forces the system to user mode and installs factory default Secure Boot key database.
Key Management	Press [Enter] to configure advanced items. <b>Please note that this item is configurable when Secure Boot Mode is set to Custom.</b>

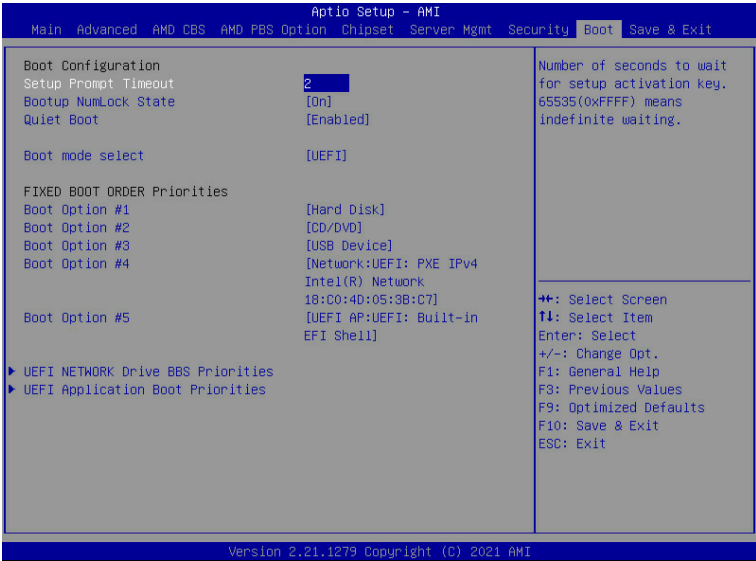
(Note) Advanced items prompt when this item is set to **Custom**.

Parameter	Description
Key Management (continued)	<ul style="list-style-type: none"> <li>◆ Factory Key Provision <ul style="list-style-type: none"> <li>– Installs factory default Secure Boot keys after the platform resets and the system is in Setup Mode.</li> <li>– Options available: Disabled/Enabled. Default setting is Disabled.</li> </ul> </li> <li>◆ Restore Factory Keys <ul style="list-style-type: none"> <li>– Installs factory default Secure Boot key databases. It will force the system in User Mode.</li> <li>– Options available: Yes/No.</li> </ul> </li> <li>◆ Enroll Efi Image <ul style="list-style-type: none"> <li>– Press [Enter] to enroll SHA256 hash of the binary into Authorized Signature Database (db).</li> </ul> </li> <li>◆ Restore DB defaults <ul style="list-style-type: none"> <li>– Press [Enter] to restore DB variable to factory defaults.</li> <li>– Options available: Yes/No.</li> </ul> </li> <li>◆ Secure Boot variable <ul style="list-style-type: none"> <li>– Displays the current status of the variables used for secure boot.</li> </ul> </li> <li>◆ Platform Key (PK) <ul style="list-style-type: none"> <li>– Displays the current status of the Platform Key (PK).</li> <li>– Press [Enter] to configure a new PK.</li> <li>– Options available: Set Update.</li> </ul> </li> <li>◆ Key Exchange Keys (KEK) <ul style="list-style-type: none"> <li>– Displays the current status of the Key Exchange Key Database (KEK).</li> <li>– Press [Enter] to configure a new KEK or load additional KEK from storage devices.</li> <li>– Options available: Set Update/Append.</li> </ul> </li> <li>◆ Authorized Signatures (DB) <ul style="list-style-type: none"> <li>– Displays the current status of the Authorized Signature Database.</li> <li>– Press [Enter] to configure a new DB or load additional DB from storage devices.</li> <li>– Options available: Set Update/Append.</li> </ul> </li> <li>◆ Forbidden Signatures (DBX) <ul style="list-style-type: none"> <li>– Displays the current status of the Forbidden Signature Database.</li> <li>– Press [Enter] to configure a new dbx or load additional dbx from storage devices.</li> <li>– Options available: Set Update/Append.</li> </ul> </li> <li>◆ Authorized TimeStamps (DBT) <ul style="list-style-type: none"> <li>– Displays the current status of the Authorized TimeStamps Database.</li> <li>– Press [Enter] to configure a new DBT or load additional DBT from storage devices.</li> <li>– Options available: Set Update/Append.</li> </ul> </li> <li>◆ OsRecovery Signatures <ul style="list-style-type: none"> <li>– Displays the current status of the OsRecovery Signature Database.</li> <li>– Press [Enter] to configure a new OsRecovery Signature or load additional OsRecovery Signature from storage devices.</li> <li>– Options available: Set Update/Append.</li> </ul> </li> </ul>



# 5-8 Boot Menu

The Boot menu allows you to set the drive priority during system boot-up. BIOS setup will display an error message if the legacy drive(s) specified is not bootable.



Parameter	Description
Boot Configuration	
Setup Prompt Timeout	Number of seconds to wait for setup activation key. 65535 (0xFFFF) means indefinite waiting. Press the numeric keys to input the desired values.
Bootup NumLock State	Enable/Disable the Bootup NumLock function. Options available: On/Off. Default setting is <b>On</b> .
Quiet Boot	Enable/Disable showing the logo during POST. Options available: Disabled/Enabled. Default setting is <b>Enabled</b> .
Boot mode select	Selects the boot mode. Options available: LEGACY/UEFI. Default setting is <b>UEFI</b> .
FIXED BOOT ORDER Priorities	
Boot Option #1 / #2 / #3 / #4 / #5	Press [Enter] to configure the boot priority. By default, the server searches for boot devices in the following sequence: <ol style="list-style-type: none"> <li>1. Hard drive.</li> <li>2. CD-COM/DVD drive.</li> <li>3. USB device.</li> <li>4. Network.</li> <li>5. UEFI.</li> </ol>

<b>Parameter</b>	<b>Description</b>
UEFI Network Drive BBS Priorities	Press [Enter] to configure the boot priority.
UEFI Application Boot Priorities	Press [Enter] to configure the boot priority.

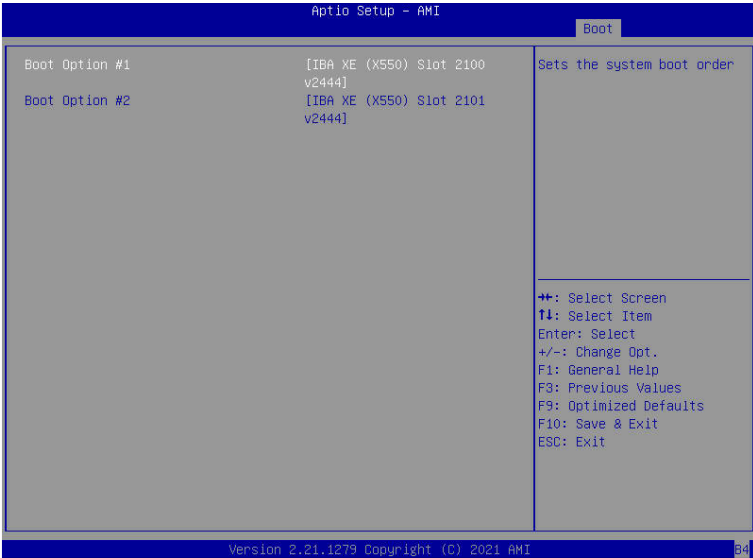
## 5-8-1 UEFI NETWORK Drive BBS Priorities

The UEFI network drive BBS priorities submenu allows you to specify the boot device priority from the available UEFI network drives during system boot-up. BIOS setup will display an error message if the legacy drive(s) specified is not bootable.



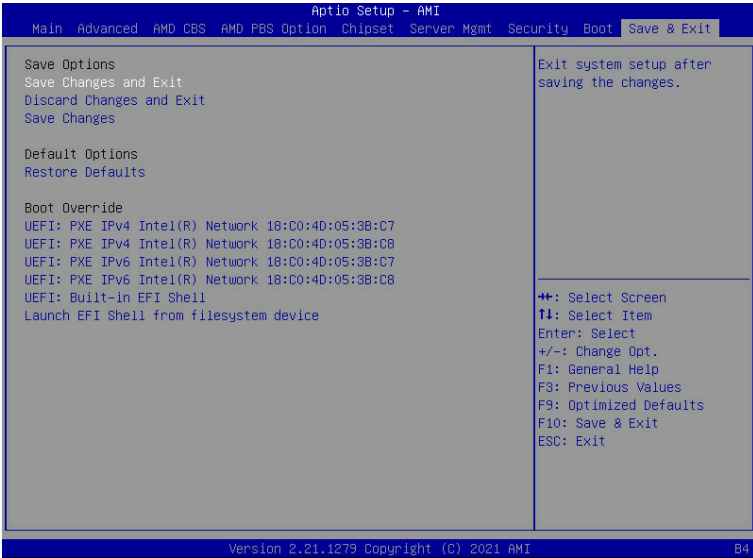
## 5-8-2 UEFI Application Boot Priorities

The UEFI application boot priorities submenu allows you to specify the boot device priority from the available UEFI applications during system boot-up. BIOS setup will display an error message if the legacy drive(s) specified is not bootable.



## 5-9 Save & Exit Menu

The Exit menu displays the various options to quit from the BIOS setup. Highlight any of the exit options then press [Enter].



Parameter	Description
Save Options	
Save Changes and Exit	Saves changes made and closes the BIOS setup. Options available: Yes/No.
Discard Changes and Exit	Discards changes made and exits the BIOS setup. Options available: Yes/No.
Save Changes	Save changes done so far to any of the setup options. Options available: Yes/No.
Default Options	
Restore Defaults	Loads the default settings for all BIOS setup parameters. Setup Defaults are quite demanding in terms of resources consumption. If you are using low-speed memory chips or other kinds of low-performance components and you choose to load these settings, the system might not function properly. Options available: Yes/No.
Boot Override	Press [Enter] to configure the device as the boot-up drive.
Launch EFI Shell from filesystem device	Attempts to Launch EFI Shell application (Shell.efi) from one of the available filesystem devices.

## 5-10 BIOS POST Beep code (AMI standard)

### 5-10-1 PEI Beep Codes

# of Beeps	Description
1	Memory not Installed.
1	Memory was installed twice (InstallPeiMemory routine in PEI Core called twice)
2	Recovery started
3	DXE IPL was not found
3	DXE Core Firmware Volume was not found
4	Recovery failed
4	S3 Resume failed
7	Reset PPI is not available

### 5-10-2 DXE Beep Codes

# of Beeps	Description
1	Invalid password
4	Some of the Architectural Protocols are not available
5	No Console Output Devices are found
5	No Console Input Devices are found
6	Flash update is failed
7	Reset protocol is not available
8	Platform PCI resource requirements cannot be met