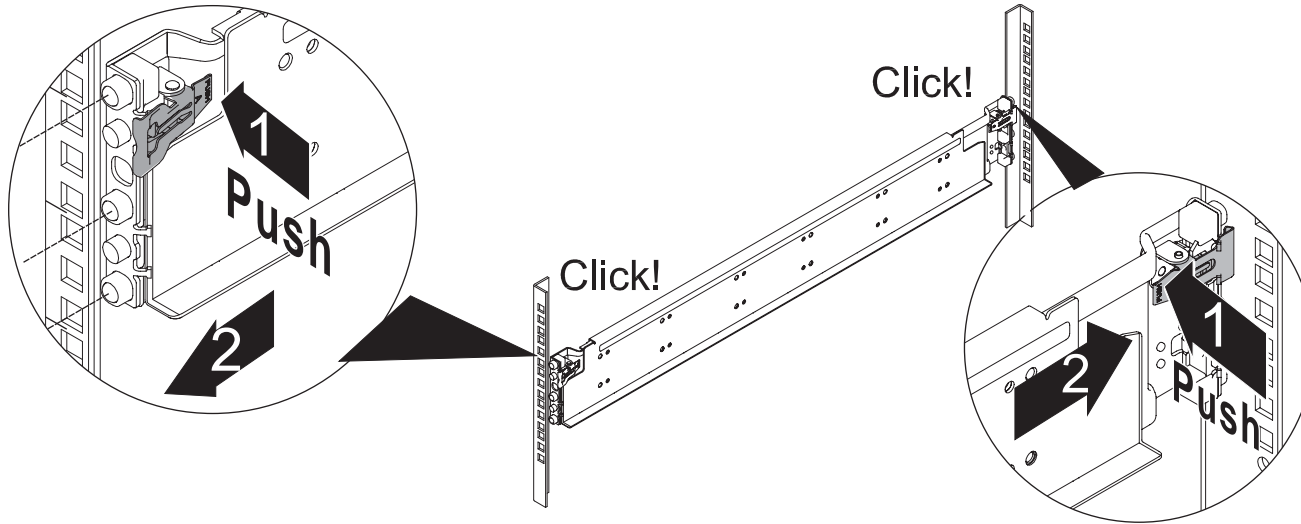


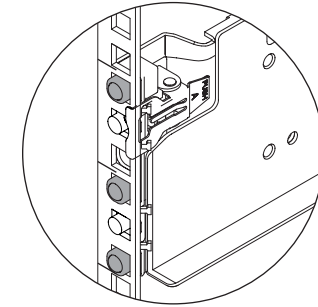
King Slide® — A961-683-S1B

Installation

1. Attach the rails to the rack.

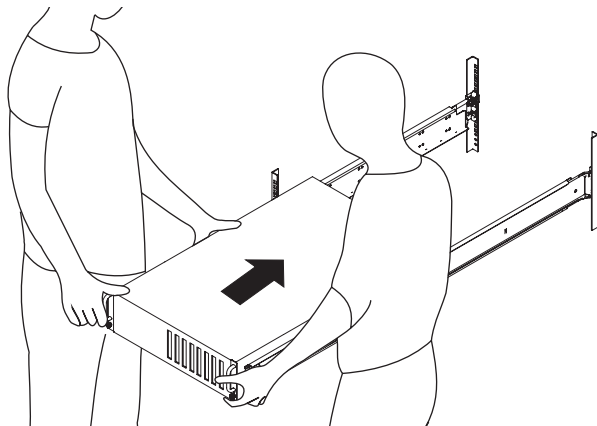


Caution for Square Hole Post
Square stud must be fully attached inside
the square hole on the rack rail.



Installation

2. Install the chassis. Must be done with at least 2 people.
Properly place the chassis directly on the bracket and
install.



3. Fasten the screw on the front Ear.

