

GIGABYTE™

G292-Z46

HPC Server - 2U DP 4 x Gen4 GPU Server

User Manual

Rev. 1.0

Copyright

© 2021 GIGA-BYTE TECHNOLOGY CO., LTD. All rights reserved.

The trademarks mentioned in this manual are legally registered to their respective owners.

Disclaimer

Information in this manual is protected by copyright laws and is the property of GIGABYTE.

Changes to the specifications and features in this manual may be made by GIGABYTE without prior notice. No part of this manual may be reproduced, copied, translated, transmitted, or published in any form or by any means without GIGABYTE's prior written permission.

Documentation Classifications

In order to assist in the use of this product, GIGABYTE provides the following types of documentation:

- User Manual: detailed information & steps about the installation, configuration and use of this product (e.g. motherboard, server barebones), covering hardware and BIOS.
- User Guide: detailed information about the installation & use of an add-on hardware or software component (e.g. BMC firmware, rail-kit) compatible with this product.
- Quick Installation Guide: a short guide with visual diagrams that you can reference easily for installation purposes of this product (e.g. motherboard, server barebones).

Please see the support section of the online product page to check the current availability of these documents

For More Information

For related product specifications, the latest firmware and software, and related information, please visit our website at:

<http://www.gigabyte.com>

For GIGABYTE distributors and resellers, additional sales & marketing materials are available from our reseller portal at:

<http://reseller.b2b.gigabyte.com>

For further information & technical assistance, please contact your GIGABYTE sales representative. You may also message GIGABYTE server directly by email, Facebook or twitter.




Email: server.grp@gigabyte.com

Facebook: <https://www.facebook.com/gigabyteserver>

Twitter: <https://twitter.com/GIGABYTEServer>

Conventions

The following conventions are used in this user's guide:

| | |
|---|---|
|  | NOTE! Gives bits and pieces of additional information related to the current topic. |
|  | CAUTION! Gives precautionary measures to avoid possible hardware or software problems. |
|  | WARNING! Alerts you to any damage that might result from doing or not doing specific actions. |

Server Warnings and Cautions

Before installing a server, be sure that you understand the following warnings and cautions.



WARNING!

To reduce the risk of electric shock or damage to the equipment:

- Do not disable the power cord grounding plug. The grounding plug is an important safety feature.
- Plug the power cord into a grounded (earthed) electrical outlet that is easily accessible at all times.
- Unplug the power cord from the power supply to disconnect power to the equipment.
- Do not route the power cord where it can be walked on or pinched by items placed against it. Pay particular attention to the plug, electrical outlet, and the point where the cord extends from the server.



WARNING!

To reduce the risk of personal injury from hot surfaces, allow the drives and the internal system components to cool before touching them.



WARNING!

This server is equipped with high speed fans. Keep away from hazardous moving fan blades during servicing.



CAUTION!

- Do not operate the server for long periods with the access panel open or removed. Operating the server in this manner results in improper airflow and improper cooling that can lead to thermal damage.
- Danger of explosion if battery is incorrectly replaced.
- Replace only with the same or equivalent type recommended by the manufacturer.
- Dispose of used batteries according to the manufacturer's instructions.

Electrostatic Discharge (ESD)



CAUTION!

ESD CAN DAMAGE DRIVES, BOARDS, AND OTHER PARTS. WE RECOMMEND THAT YOU PERFORM ALL PROCEDURES AT AN ESD WORKSTATION. IF ONE IS NOT AVAILABLE, PROVIDE SOME ESD PROTECTION BY WEARING AN ANTI-STATIC WRIST STRAP ATTACHED TO CHASSIS GROUND -- ANY UNPAINTED METAL SURFACE -- ON YOUR SERVER WHEN HANDLING PARTS.

Always handle boards carefully. They can be extremely sensitive to ESD. Hold boards only by their edges without any component and pin touching. After removing a board from its protective wrapper or from the system, place the board component side up on a grounded, static free surface. Use a conductive foam pad if available but not the board wrapper. Do not slide board over any surface.

System power on/off: To remove power from system, you must remove the system from rack. Make sure the system is removed from the rack before opening the chassis, adding, or removing any non hot-plug components.

Hazardous conditions, devices and cables: Hazardous electrical conditions may be present on power, telephone, and communication cables. Turn off the system and disconnect the cables attached to the system before servicing it. Otherwise, personal injury or equipment damage can result.

Electrostatic discharge (ESD) and ESD protection: ESD can damage drives, boards, and other parts. We recommend that you perform all procedures in this chapter only at an ESD workstation. If one is not available, provide some ESD protection by wearing an antistatic wrist strap attached to chassis ground (any unpainted metal surface on the server) when handling parts.

ESD and handling boards: Always handle boards carefully. They can be extremely sensitive to electrostatic discharge (ESD). Hold boards only by their edges. After removing a board from its protective wrapper or from the system, place the board component side up on a grounded, static free surface. Use a conductive foam pad if available but not the board wrapper. Do not slide board over any surface.

Installing or removing jumpers: A jumper is a small plastic encased conductor that slips over two jumper pins. Some jumpers have a small tab on top that can be gripped with fingertips or with a pair of fine needle nosed pliers. If the jumpers do not have such a tab, take care when using needle nosed pliers to remove or install a jumper; grip the narrow sides of the jumper with the pliers, never the wide sides. Gripping the wide sides can damage the contacts inside the jumper, causing intermittent problems with the function controlled by that jumper. Take care to grip with, but not squeeze, the pliers or other tool used to remove a jumper, or the pins on the board may bend or break.



CAUTION!

Risk of explosion if battery is replaced incorrectly or with an incorrect type. Replace the battery only with the same or equivalent type recommended by the manufacturer. Dispose of used batteries according to the manufacturer's instructions.

Table of Contents

| | | |
|-----------|--|----|
| Chapter 1 | Hardware Installation | 11 |
| 1-1 | Installation Precautions | 11 |
| 1-2 | Product Specifications | 12 |
| 1-3 | System Block Diagram | 15 |
| Chapter 2 | System Appearance | 17 |
| 2-1 | Front View | 17 |
| 2-2 | Rear View | 18 |
| 2-3 | Front Panel Buttons and LEDs | 19 |
| 2-4 | Rear System LAN LEDs | 20 |
| 2-5 | Power Supply Unit (PSU) LED | 21 |
| 2-6 | Hard Disk Drive LEDs | 22 |
| Chapter 3 | System Hardware Installation | 23 |
| 3-1 | Removing Chassis Cover | 24 |
| 3-2 | Removing and Installing the Fan Duct | 25 |
| 3-3 | Installing the CPU and Heat Sink | 26 |
| 3-4 | Installing the Memory | 28 |
| 3-4-1 | Eight Channel Memory Configuration | 28 |
| 3-4-2 | Installing a Memory | 29 |
| 3-4-3 | Processor and Memory Module Matrix Table | 29 |
| 3-4-4 | Memory Population Table | 30 |
| 3-5 | Installing the GPU Card | 31 |
| 3-6 | Installing a PCI Express Card | 36 |
| 3-7 | Installing the Hard Disk Drive | 40 |
| 3-8 | Replacing the FAN Assembly | 42 |
| 3-9 | Replacing the Power Supply | 46 |
| 3-10 | Cable Routing | 47 |
| Chapter 4 | Motherboard Components | 55 |
| 4-1 | Motherboard Components | 55 |
| 4-2 | Jumper Setting | 57 |
| 4-3 | Backplane Board Storage Connector | 58 |
| 4-3-1 | CBPG084 | 58 |
| Chapter 5 | BIOS Setup | 59 |
| 5-1 | The Main Menu | 61 |
| 5-2 | Advanced Menu | 63 |

| | | |
|--------|---|-----|
| 5-2-1 | Trusted Computing | 65 |
| 5-2-2 | PSP Firmware Versions | 66 |
| 5-2-3 | Legacy Video Select | 67 |
| 5-2-4 | AST2500 Super IO Configuration | 68 |
| 5-2-5 | S5 RTC Wake Settings | 71 |
| 5-2-6 | Serial Port Console Redirection | 72 |
| 5-2-7 | CPU Configuration | 76 |
| 5-2-8 | PCI Subsystem Settings | 77 |
| 5-2-9 | USB Configuration | 79 |
| 5-2-10 | Network Stack Configuration | 81 |
| 5-2-11 | NVMe Configuration | 82 |
| 5-2-12 | SATA Configuration | 83 |
| 5-2-13 | UEFI POST LOGO Configuration | 84 |
| 5-2-14 | AMD Mem Configuration Status | 85 |
| 5-2-15 | Tls Auth Configuration | 86 |
| 5-2-16 | Intel(R) Ethernet Controller X550 | 87 |
| 5-2-17 | VLAN Configuration | 89 |
| 5-2-18 | MAC IPv4 Network Configuration | 90 |
| 5-2-19 | MAC IPv6 Network Configuration | 91 |
| 5-3 | AMD CBS Menu | 92 |
| 5-3-1 | CPU Common Options | 93 |
| 5-3-2 | DF Common Options | 98 |
| 5-3-3 | UMC Common Options | 103 |
| 5-3-4 | NBIO Common Options | 117 |
| 5-3-5 | FCH Common Options | 123 |
| 5-3-6 | NTB Common Options | 127 |
| 5-3-7 | SOC Miscellaneous Control | 128 |
| 5-3-8 | Workload Tuning | 129 |
| 5-4 | AMD PBS Menu | 130 |
| 5-4-1 | RAS | 131 |
| 5-5 | Chipset Setup Menu | 133 |
| 5-5-1 | North Bridge | 134 |
| 5-5-2 | Fabric Resource | 135 |
| 5-6 | Server Management Menu | 136 |
| 5-6-1 | System Event Log | 138 |
| 5-6-2 | View FRU Information | 139 |
| 5-6-3 | BMC Network Configuration | 140 |
| 5-6-4 | IPv6 BMC Network Configuration | 141 |
| 5-7 | Security Menu | 142 |
| 5-7-1 | Secure Boot | 143 |
| 5-8 | Boot Menu | 145 |

| | | |
|--------|---|-----|
| 5-8-1 | UEFI NETWORK Drive BBS Priorities | 147 |
| 5-8-2 | UEFI Application Boot Priorities | 148 |
| 5-9 | Save & Exit Menu..... | 149 |
| 5-10 | BIOS POST Beep code (AMI standard)..... | 150 |
| 5-10-1 | PEI Beep Codes | 150 |
| 5-10-2 | DXE Beep Codes | 150 |

This page intentionally left blank

Chapter 1 Hardware Installation

1-1 Installation Precautions

The motherboard/system contain numerous delicate electronic circuits and components which can become damaged as a result of electrostatic discharge (ESD). Prior to installation, carefully read the service guide and follow these procedures:










- Prior to installation, do not remove or break motherboard S/N (Serial Number) sticker or warranty sticker provided by your dealer. These stickers are required for warranty validation.
- Always remove the AC power by unplugging the power cord from the power outlet before installing or removing the motherboard or other hardware components.
- When connecting hardware components to the internal connectors on the motherboard, make sure they are connected tightly and securely.
- When handling the motherboard, avoid touching any metal leads or connectors.
- It is best to wear an electrostatic discharge (ESD) wrist strap when handling electronic components such as a motherboard, CPU or memory. If you do not have an ESD wrist strap, keep your hands dry and first touch a metal object to eliminate static electricity.
- Prior to installing the motherboard, please have it on top of an antistatic pad or within an electrostatic shielding container.
- Before unplugging the power supply cable from the motherboard, make sure the power supply has been turned off.
- Before turning on the power, make sure the power supply voltage has been set according to the local voltage standard.
- Before using the product, please verify that all cables and power connectors of your hardware components are connected.
- To prevent damage to the motherboard, do not allow screws to come in contact with the motherboard circuit or its components.
- Make sure there are no leftover screws or metal components placed on the motherboard or within the computer casing.
- Do not place the computer system on an uneven surface.
- Do not place the computer system in a high-temperature environment.
- Turning on the computer power during the installation process can lead to damage to system components as well as physical harm to the user.
- If you are uncertain about any installation steps or have a problem related to the use of the product, please consult a certified computer technician.








1-2 Product Specifications



NOTE:

We reserve the right to make any changes to the product specifications and product-related information without prior notice.

| | | |
|---|-------------------------|--|
|  | System Dimension | <ul style="list-style-type: none"> ◆ 2U ◆ 448 (W) x 87.5 (H) x 800 (D) (mm) ◆ 17.64 (W) x 3.4 (H) x 31.5 (D) (inch) |
|  | CPU | <ul style="list-style-type: none"> ◆ AMD EPYC™ 7003 series processor family ◆ Dual processors, 7nm technology ◆ Up to 64-core, 128 threads per processor ◆ cTDP up to 240W <p style="text-align: center;">NOTE: If only 1 CPU is installed, some PCIe or memory functions might be unavailable.</p> <p style="text-align: center;">Compatible with AMD EPYC 7002 series processor family</p> |
|  | Socket | <ul style="list-style-type: none"> ◆ SP3 |
|  | Chipset | <ul style="list-style-type: none"> ◆ System on Chip |
|  | Memory | <ul style="list-style-type: none"> ◆ 16 x DIMM slots ◆ DDR4 memory supported only ◆ 8-Channel memory architecture per processor ◆ RDIMM modules up to 128GB supported ◆ LRDIMM modules up to 128GB supported ◆ 3DS RDIMM/LRDIMM modules up to 256GB supported ◆ Memory speed: Up to 3200 MHz |
|  | LAN | <ul style="list-style-type: none"> ◆ 2 x 10Gb/s BASE-T LAN ports (Intel® X550-AT2 controller) ◆ 1 x 10/100/1000 management LAN |
|  | Video | <ul style="list-style-type: none"> ◆ Integrated in Aspeed® AST2500 ◆ 2D Video Graphic Adapter with PCIe bus interface ◆ 1920x1200@60Hz 32bpp, DDR4 SDRAM |
|  | Storage | <p>8 x 2.5" hot-swappable HDD/SSD bays</p> <ul style="list-style-type: none"> ◆ 4 x green HDD trays compatible with Gen4 U.2 or SATA/SAS devices ◆ 4 x blue HDD trays compatible with SATA/SAS devices only <p>SAS card is required for SAS devices support</p> <p>Recommended 12Gb/s SAS cards:</p> <ul style="list-style-type: none"> ◆ CRA4448 ◆ CRA4548 |
|  | SAS | <ul style="list-style-type: none"> ◆ Supported via add-on SAS Card |

| | | |
|--|-----------------------|---|
|  | RAID | <ul style="list-style-type: none"> ◆ Depends on optional SAS RAID Card |
|  | Expansion Slot | <ul style="list-style-type: none"> ◆ 4 x PCIe x16 or 8 x PCIe x8 slots (Gen4 x16 or x8 bus) for GPUs ◆ 2 x PCIe x16 (Gen4 x16 bus) Half-length low-profile slots <p>- Maximum limitation of GPU card: 285mm (L) x 111.5mm (W) x 39.5mm (H)</p> <p>- System is validated for population with a uniform GPU model</p> <p>- Support is not provided for mixed GPU populations</p> <p>- For the latest GPU cards QVL, please contact your GIGABYTE representative</p> |
|  | Internal I/O | <ul style="list-style-type: none"> ◆ 1 x TPM header |
|  | Front I/O | <ul style="list-style-type: none"> ◆ 1 x Power button with LED ◆ 1 x ID button with LED ◆ 2 x LAN activity LEDs ◆ 1 x HDD activity LED ◆ 1 x System status LED ◆ 1 x Reset button |
|  | Rear I/O | <ul style="list-style-type: none"> ◆ 2 x USB 3.0 ◆ 1 x VGA ◆ 2 x RJ45 ◆ 1 x MLAN ◆ 1 x Power button with LED ◆ 1 x ID button with LED ◆ 1 x Reset button ◆ 1 x NMI button ◆ 1 x System status LED |
|  | Backplane I/O | <ul style="list-style-type: none"> ◆ 8 x SAS/SATA or 4 x Gen4 U.2 ports and 4 x SAS/SATA ◆ Backplane P/N: 9CBPG084NR-00 ◆ Bandwidth: SATA 6Gb/s, SAS 12Gb/s and PCIe Gen4 x4 |
|  | TPM | <ul style="list-style-type: none"> ◆ 1 x TPM header with SPI interface ◆ Optional TPM2.0 kit: CTM010 |



Power Supply

- ◆ 2+0 2200W 80 PLUS Platinum power supply
- ◆ AC Input:
100-127V~/ 14A, 47-63Hz
200-240V~/ 12.6A, 47-63Hz
- ◆ DC Output:
Max 1200W/ 100-127V~
+12.12V/ 95.6A
+12Vsb/ 3.5A
- Max 2200W/ 200-240V
+12.12V/ 178.1A
+12Vsb/ 3.5A

NOTE: The system power supply requires C19 type power cord.



System Management

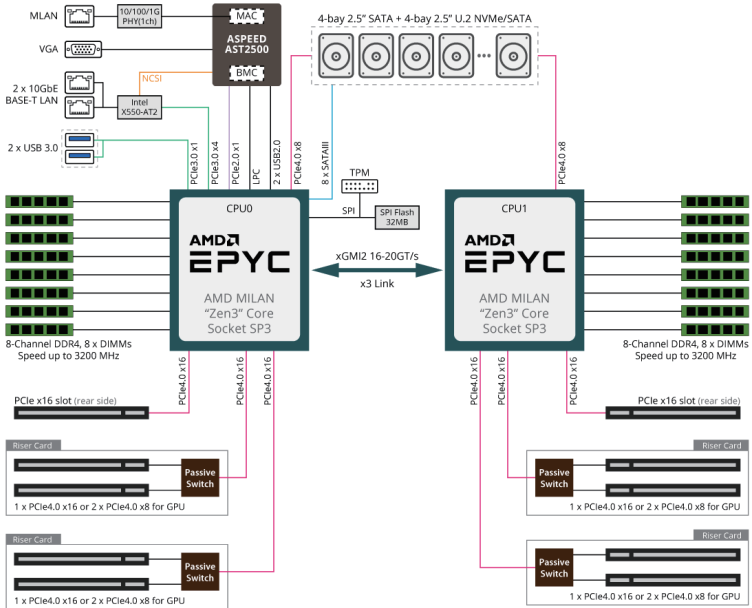
- ◆ Aspeed® AST2500 management controller
- ◆ AMI MegaRAC SP-X Solution web interface
- ◆ Dashboard
- ◆ HTML5 KVM
- ◆ Sensor Monitor (Voltage, RPM, Temperature, CPU Status ...etc.)
- ◆ Sensor Reading History Data
- ◆ FRU Information
- ◆ SEL Log in Linear Storage / Circular Storage Policy
- ◆ Hardware Inventory
- ◆ Fan Profile
- ◆ System Firewall
- ◆ Power Consumption
- ◆ Power Control
- ◆ LDAP / AD / RADIUS Support
- ◆ Backup & Restore Configuration
- ◆ Remote BIOS/BMC/CPLD Update
- ◆ Event Log Filter
- ◆ User Management
- ◆ Media Redirection Settings
- ◆ PAM Order Settings
- ◆ SSL Settings
- ◆ SMTP Settings



Operating Properties

- ◆ Operating temperature: 10°C to 35°C
- ◆ Non-operating temperature: -40°C to 60°C
- ◆ Operating humidity: 8 - 80% (non-condensing)
- ◆ Non-operating humidity: 20% - 95% (non-condensing)

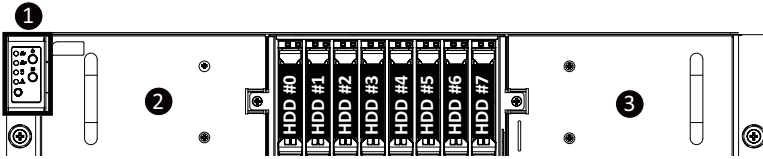
1-3 System Block Diagram



This page intentionally left blank

Chapter 2 System Appearance

2-1 Front View



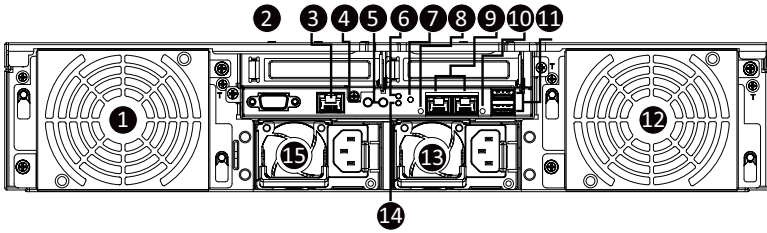
| No. | Description |
|-----|-----------------------------|
| 1. | Front Panel LED and Buttons |
| 2. | GPU Fan (GPU78_FAN) |
| 3. | GPU Fan (GPU56_FAN) |

NOTE! The Green Latch Supports NVMe



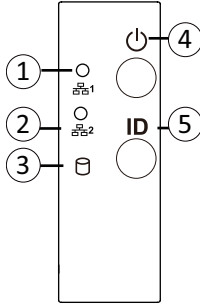
- Go to the section **2-3 Front Panel Buttons and LEDs** for detail description of function LEDs.

2-2 Rear View



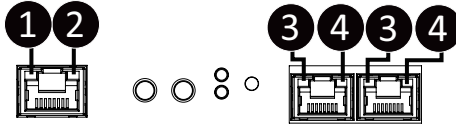
| No. | Description |
|-----|--|
| 1. | System Fan (GPU12E_FAN) |
| 2. | VGA Port |
| 3. | 10/100/1000 Server Management LAN port |
| 4. | Power Button with LED |
| 5. | ID Button |
| 6. | Reset Button |
| 7. | System Status LED |
| 8. | LAN Port #2 Active/Link LED |
| 9. | 10G LAN Port x 2 |
| 10. | LAN Port #1 Active/Link LED |
| 11. | USB 3.0 Port x 2 |
| 12. | System Fan (GPU56E_FAN) |
| 13. | Power Supply (PSU2) |
| 14. | NMI Button |
| 15. | Power Supply (PSU1) |

2-3 Front Panel Buttons and LEDs



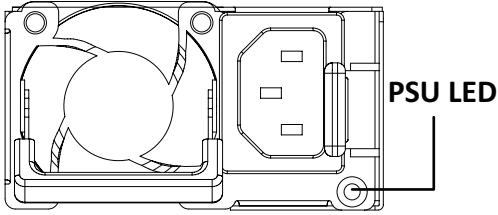
| No. | Name | Color | Status | Description |
|------|------------------------|---------------|--------|--|
| 1/2. | LAN1/2 Active/Link LED | Green | On | Indicates a link between the system and the network or no access. |
| | | Green | Blink | Indicates data trasmission or receiving is occurring. |
| | | N/A | Off | Indicates no data transmission or receiving is occurring. |
| 3. | HDD Status LED | Green | On | Indicates locating the HDD. |
| | | Green | Blink | Indicates accessing the HDD. |
| | | Amber | On | Indicates HDD error. |
| | | Green / Amber | Blink | Indicates HDD rebuilding. |
| | | N/A | Off | Indicates no HDD access or no HDD error. |
| 4. | Power Button with LED | Green | On | Indicates the system is powered on. |
| | | Green | Blink | System is in ACPI S1 slate (sleep mode). |
| | | N/A | Off | Indicates system is not powered on or in ACPI S5 slate (power off) or system is in ACPI S4 slate (hibernation mode). |
| 5. | ID Button with LED | -- | -- | Press this button to activate system identification. |

2-4 Rear System LAN LEDs



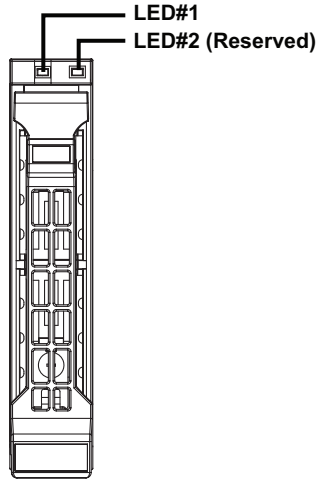
| No. | Name | Color | Status | Description |
|-----|---------------------------|--------|--------|---|
| 1. | 1GbE Speed LED | Yellow | On | 1 Gbps data rate |
| | | Green | On | 100 Mbps data rate |
| | | N/A | Off | 10 Mbps data rate |
| 2. | 1GbE Link / Activity LED | Green | On | Link between system and network or no access |
| | | | Blink | Data transmission or reception is occurring. |
| | | N/A | Off | No data transmission or reception is occurring. |
| 3. | 10GbE Speed LED | Yellow | On | 10 Gbps data rate |
| | | Green | On | 1000 Mbps data rate |
| | | N/A | Off | 100 Mbps data rate |
| 4. | 10GbE Link / Activity LED | Green | On | Link between system and network or no access |
| | | | Blink | Data transmission or reception is occurring. |
| | | N/A | Off | No data transmission or reception is occurring. |

2-5 Power Supply Unit (PSU) LED



| Color | Status | Description |
|-------|-------------------|--|
| Off | -- | No AC power to all power supplies |
| Green | Blinking 0.5Hz | AC present / Only +12VSB on (PS off) or PSU in Smart Standby Mode |
| Green | Blinking 2Hz | Power supply firmware update |
| Amber | On | AC cord unplugged / AC power lost but a second power supply in parallel still having AC input power |
| | | Power supply critical events that cause a shutdown, such as: OTP, OCP, UVP, OVP and fan failure |
| Amber | Blinking 0.5Hz | Power supply warning events where the power supply continues to operate, such as: high temperature, high power, high current, slot fan |

2-6 Hard Disk Drive LEDs



| RAID SKU | | LED1 | Locate | HDD Fault | Rebuilding | HDD Access | HDD Present (No Access) |
|---|---|-------|--------|-----------|-------------------|------------|-------------------------|
| No RAID configuration (via HBA) | Disk LED (LED on Back Panel) | Green | ON(*1) | OFF | | BLINK (*2) | OFF |
| | | Amber | OFF | OFF | | OFF | OFF |
| | Removed HDD Slot (LED on Back Panel) | Green | ON(*1) | OFF | | -- | -- |
| | | Amber | OFF | OFF | | -- | -- |
| RAID configuration (via HW RAID Card or SW RAID Card) | Disk LED | Green | ON | OFF | | BLINK (*2) | OFF |
| | | Amber | OFF | ON | (Low Speed: 2 Hz) | OFF | OFF |
| | Removed HDD Slot | Green | ON(*1) | OFF | (*3) | -- | -- |
| | | Amber | OFF | ON | (*3) | -- | -- |

| LED 2 | HDD Present | No HDD |
|-------|-------------|--------|
| Green | ON | OFF |

NOTE:

*1: Depends on HBA/Utility Spec.

*2: Blink cycle depends on HDD's activity signal.

*3: If HDD is pulled out during rebuilding, the disk status of this HDD is regarded as faulty.

Chapter 3 System Hardware Installation



Pre-installation Instructions

Computer components and electronic circuit boards can be damaged by discharges of static electricity. Working on computers that are still connected to a power supply can be extremely dangerous. Follow the simple guidelines below to avoid damage to your computer or injury to yourself.

- Always disconnect the computer from the power outlet whenever you are working inside the computer case.
- If possible, wear a grounded wrist strap when you are working inside the computer case. Alternatively, discharge any static electricity by touching the bare metal system of the computer case, or the bare metal body of any other grounded appliance.
- Hold electronic circuit boards by the edges only. Do not touch the components on the board unless it is necessary to do so. Do not flex or stress the circuit board.
- Leave all components inside the static-proof packaging until you are ready to use the component for the installation.

3-1 Removing Chassis Cover

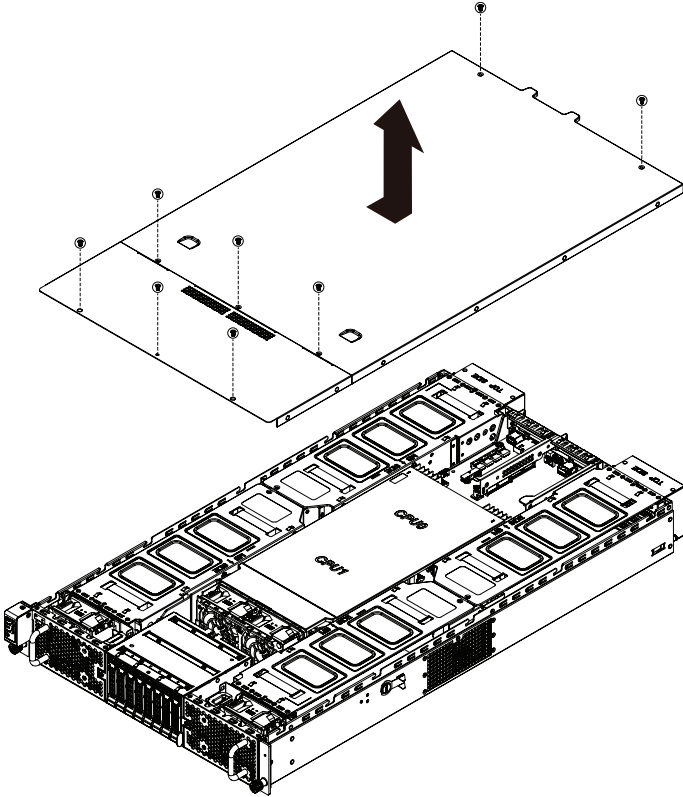


Before you remove or install the system cover

- Make sure the system is not turned on or connected to AC power.

Follow these instructions to remove the system cover:

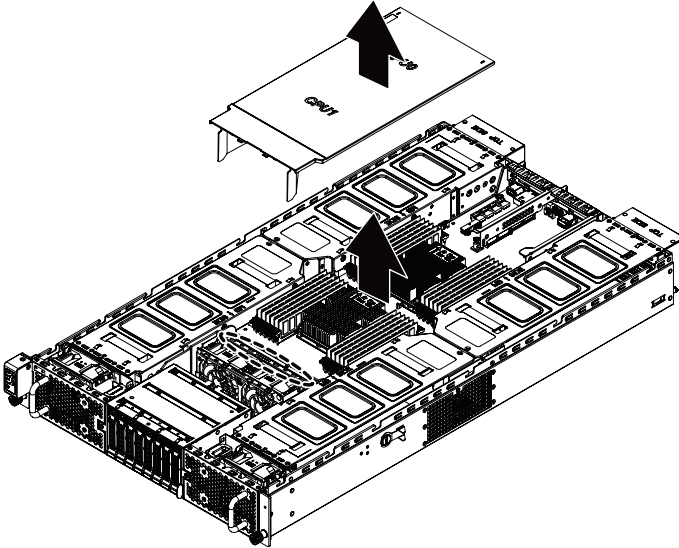
1. Remove the eight screws securing the cover.
2. Slide the cover towards the rear and remove the cover in the direction of the arrow.



3-2 Removing and Installing the Fan Duct

Follow these instructions to remove/install the fan duct:

1. Lift up to remove the fan duct
2. To install the fan duct, align the tabs at the front of the fan duct with the slots in the system fan compartment as shown in the image below, and then push down the fan duct into chassis until its firmly seats



3-3 Installing the CPU and Heat Sink



Read the following guidelines before you begin to install the heat Sink:

Always turn off the computer and unplug the power cord from the power outlet before installing the heat sink to prevent hardware damage.

Unplug all cables from the power outlets.

Disconnect all telecommunication cables from their ports.

Place the system unit on a flat and stable surface.

Open the system according to the instructions.

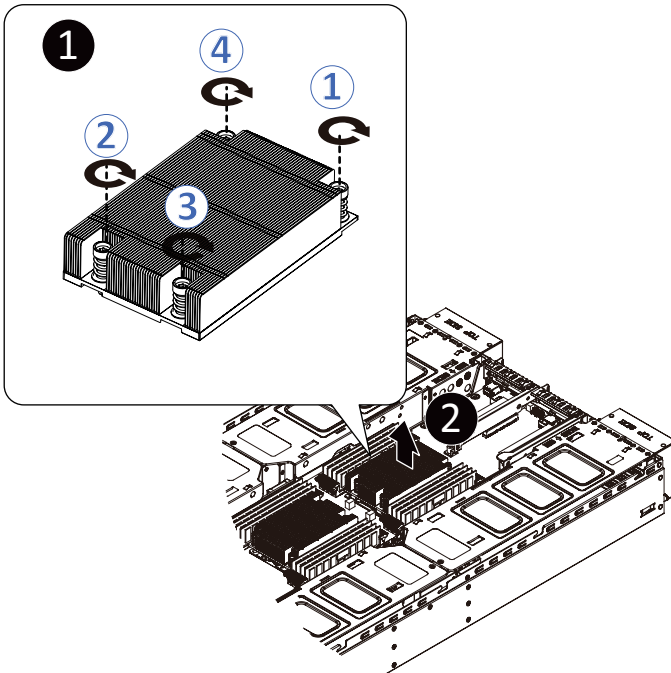


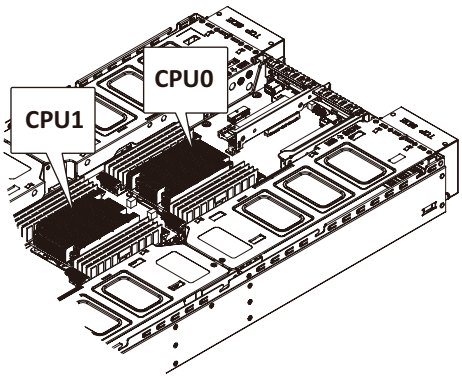
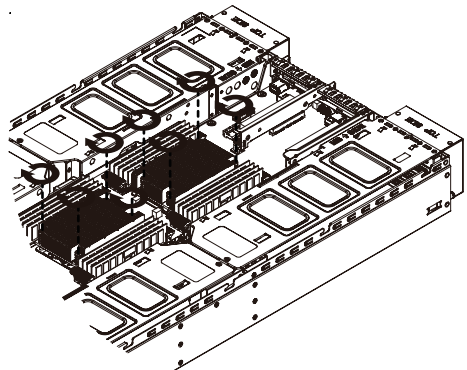
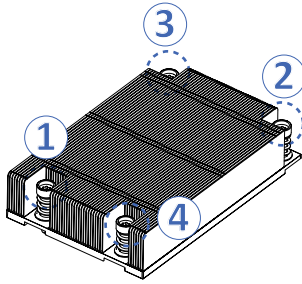
WARNING!

Failure to turn off the server before you start installing components may cause serious damage. Do not attempt the procedures described in the following sections unless you are a qualified service technician.

Follow these instructions to install the heatsink:

1. Loosen the four captive screws securing the heat sink in place in reverse the order (4→3→2→1).
2. Lift and remove the heatsink from the system.
3. To install the heatsink, reverse steps 1-2 while ensuring that you tighten the captive screws in sequential order (1→2→3→4) as seen in the image below.





3-4 Installing the Memory

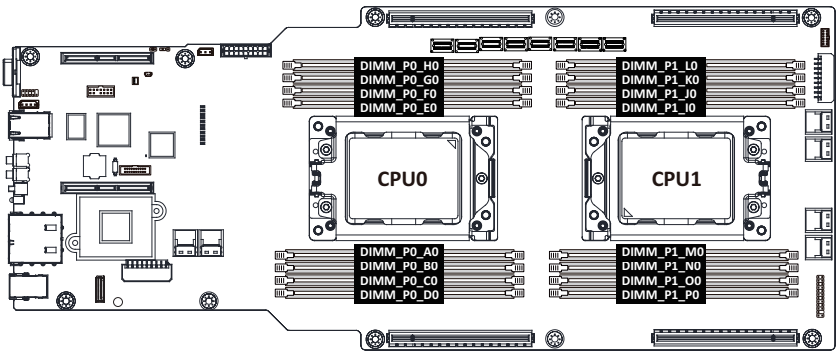


Read the following guidelines before you begin to install the memory:

- Make sure that the motherboard supports the memory. It is recommended that memory of the same capacity, brand, speed, and chips be used.
- Always turn off the computer and unplug the power cord from the power outlet before installing the memory to prevent hardware damage.
- Memory modules have a foolproof design. A memory module can be installed in only one direction. If you are unable to insert the memory, switch the direction.

3-4-1 Eight Channel Memory Configuration

This motherboard provides 16 DDR4 memory sockets and supports Eight Channel Technology. After the memory is installed, the BIOS will automatically detect the specifications and capacity of the memory. Enabling Four Channel memory mode will be four times of the original memory bandwidth.



3-4-2 Installing a Memory

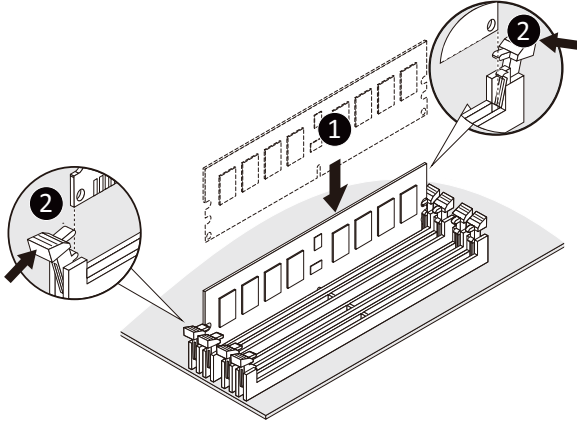


Before installing a memory module, make sure to turn off the computer and unplug the power cord from the power outlet to prevent damage to the memory module.

Be sure to install DDR4 DIMMs on this motherboard.

Follow these instructions to install the Memory:

1. Insert the DIMM memory module vertically into the DIMM slot, and push it down.
2. Close the plastic clip at both edges of the DIMM slots to lock the DIMM module.
3. Reverse the installation steps when you want to remove the DIMM module.



3-4-3 Processor and Memory Module Matrix Table

| Processor and Memory Module Matrix Table | | | | | | | | | | | |
|--|-------------|-------------|-------------|-------------|-------------|-------------|-------------|-------------|--|--|--|
| CPU# | Channel A/I | Channel B/J | Channel C/K | Channel D/L | Channel E/M | Channel F/N | Channel G/O | Channel H/P | | | |
| 8 DIMMs | | | | | | | | | | | |
| CPU0 | A0 | B0 | C0 | D0 | E0 | F0 | G0 | H0 | | | |
| 16 DIMMs | | | | | | | | | | | |
| CPU0 | A0 | B0 | C0 | D0 | E0 | F0 | G0 | H0 | | | |
| CPU1 | I0 | J0 | K0 | L0 | M0 | N0 | O0 | P0 | | | |

3-4-4 Memory Population Table

EPYC Memory Speed based on DIMM Population (One DIMM per Channel)

| DIMM Type | DIMM Population | | Max EPYC 7003 DDR Frequency (MHz) |
|-----------|---------------------|--|--------------------------------------|
| | DIMM 0 | | |
| RDIMM | 1R (1 Rank) | | 3200 |
| | 2R or 2DR (2 Ranks) | | 3200 |
| LRDIMM | 4DR (4 Ranks) | | 3200 |
| | 2S2R (4 Ranks) | | 3200 |
| | 2S4R (8 Ranks) | | 3200 |

EPYC Memory Speed based on DIMM Population (Two DIMM per Channel)

| DIMM Type | DIMM Population | | Max EPYC 7003 DDR Frequency (MHz) |
|-----------|-----------------|----------------|--------------------------------------|
| | DIMM 0 | DIMM 1 | |
| RDIMM | -- | 1R | 3200 |
| | 1R | 1R | 2933 |
| | -- | 2R or 2DR | 3200 |
| | 1R | 2R or 2DR | 2933 |
| | 2R or 2DR | 2R or 2DR | 2933 |
| LRDIMM | -- | 4DR | 3200 |
| | 4DR | 4DR | 2933 |
| | -- | 2S2R (4 Ranks) | 3200 |
| | -- | 2S4R (8 Ranks) | 3200 |
| | 2S2R (4 Ranks) | 2S2R (4 Ranks) | 2933 |

3-5 Installing the GPU Card



- Voltages can be present within the server whenever an AC power source is connected. This voltage is present even when the main power switch is in the off position. Ensure that the system is powered-down and all power sources have been disconnected from the server prior to installing a PCI card.

Failure to observe these warnings could result in personal injury or damage to equipment.

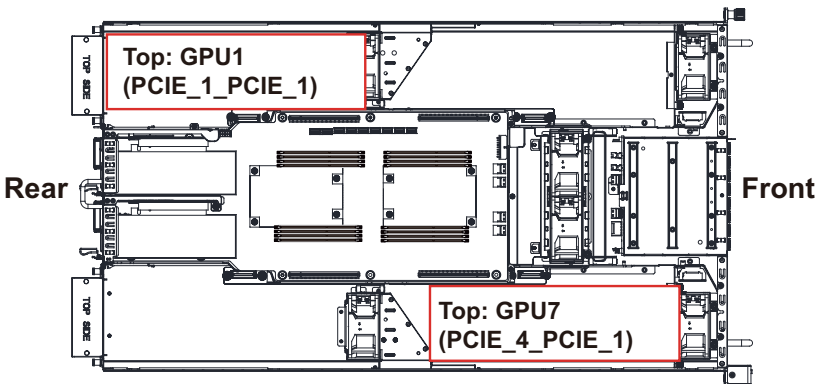


- The PCI riser assembly does not include a riser card or any cabling as standard. To install a PCI card, a riser card must be installed.

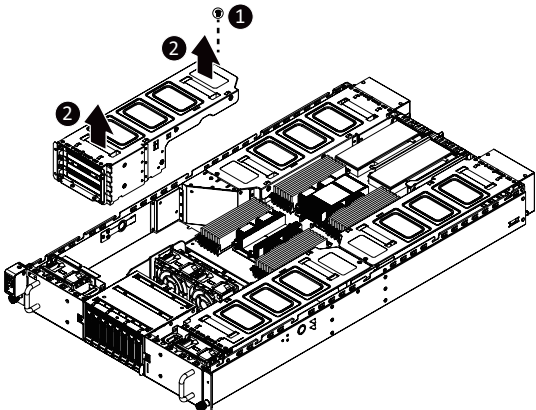
For GPU1/GPU7

Follow these instructions to install the GPU card:

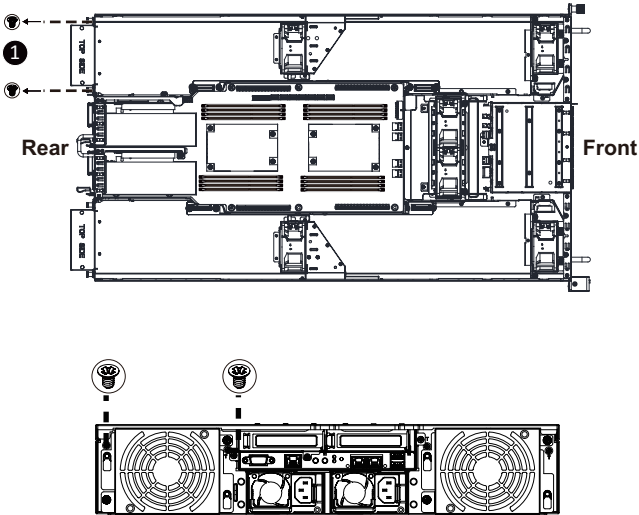
1. [For GPU7] Loosen and remove the two screws securing the PCI cage at the top of the system. [For GPU1] Loosen and remove the single screw at the top of the system and the two screws at the rear of the system securing the PCI cage.
2. Pull the two plastic handles to lift up the PCI cage from the system.
3. Insert the card into the selected slot. Make sure that the card is properly seated.
4. Secure the GPU cards in place with two screws.

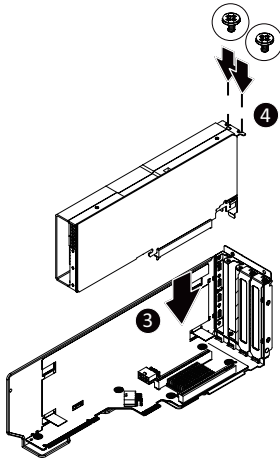
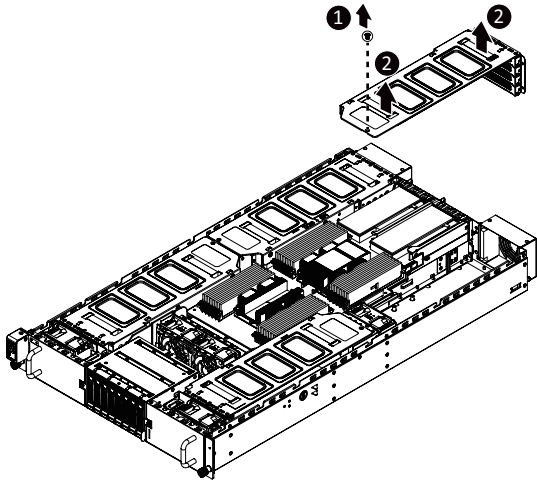


(For GPU7)



(For GPU1)

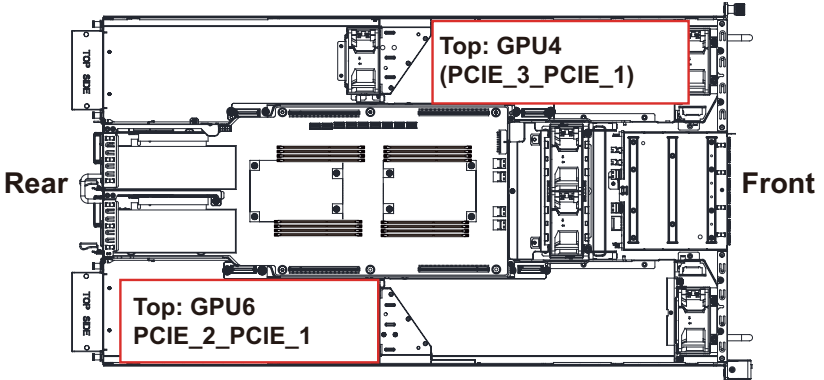




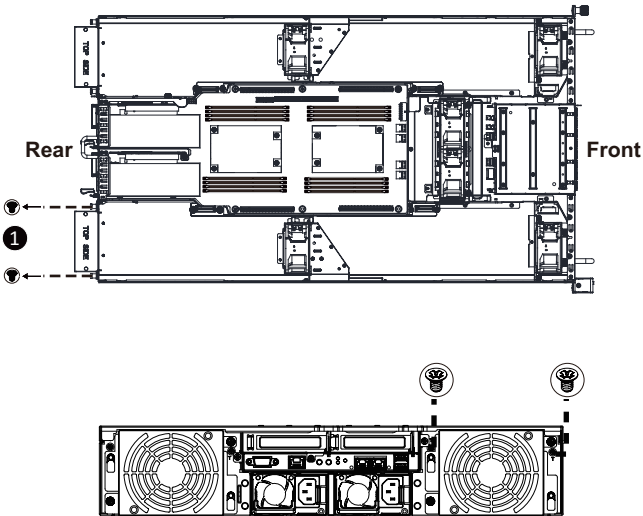
For GPU3/GPU4/GPU5/GPU6

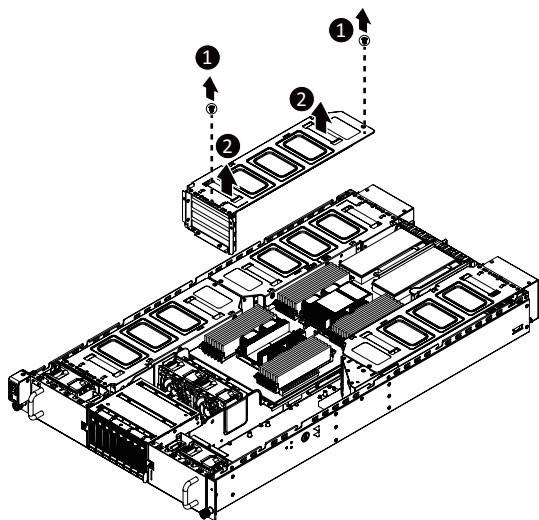
Follow these instructions to install the GPU card:

1. [For GPU4] Loosen and remove the two screws securing the PCI cage at the top of the system.
[For GPU6] Loosen and remove the single screw at the top of the system and the two screws at the rear of the system securing the PCI cage.
Pull the two plastic handles to lift up the PCI cage from the system.
2. Insert the card into the selected slot. Make sure that the card is properly seated.
3. Secure the GPU cards in place with two screws.

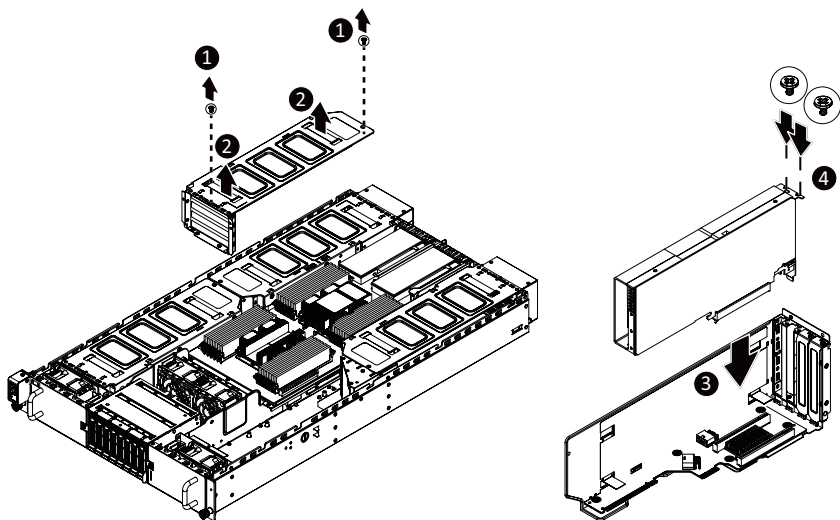


(For GPU6)





(For GPU4)



3-6 Installing a PCI Express Card

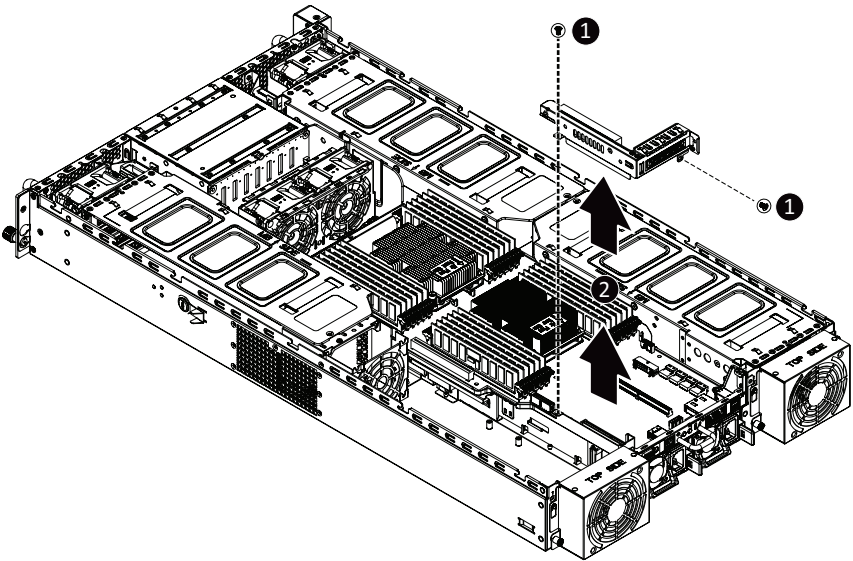


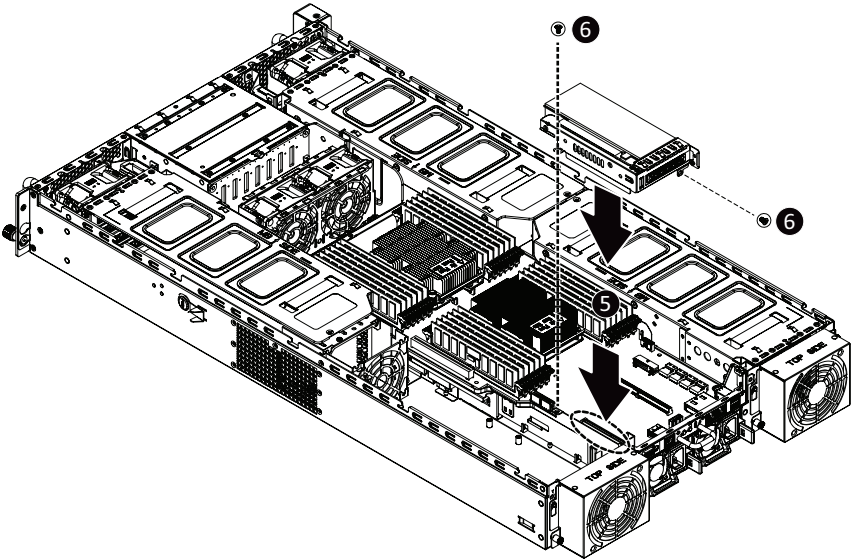
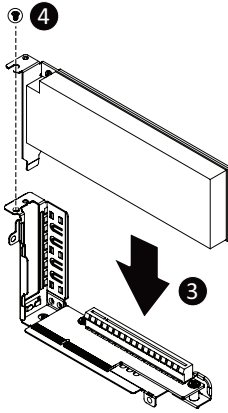
- Voltages can be present within the server whenever an AC power source is connected. This voltage is present even when the main power switch is in the off position. Ensure that the system is powered-down and all power sources have been disconnected from the server prior to installing a PCI card.

Failure to observe these warnings could result in personal injury or damage to equipment.

Follow these instructions to install a PCI Express x8 card on right side of the system:

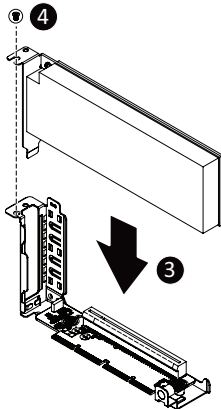
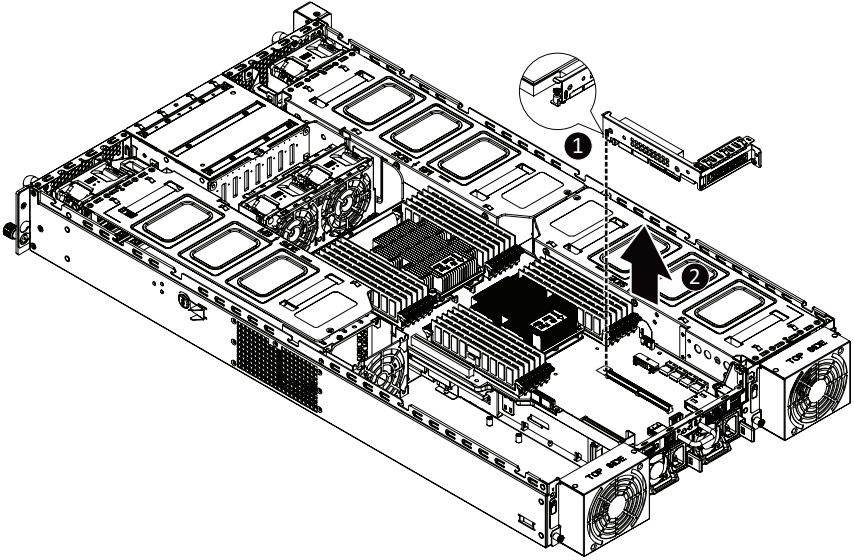
1. Loosen and remove the two screws securing the PCI Express card bracket on the right side of the system.
2. Remove the PCI Express card bracket from the system.
3. Install the PCI Express card into the bracket.
4. Secure the PCI Express card to the bracket with one screw.
5. Install the PCI Express card bracket with card back into the system, ensure that the connector on the bracket is securely installed into the connector on the motherboard as shown.
6. Secure the PCI Express card bracket with card to the system with two (2) screws.

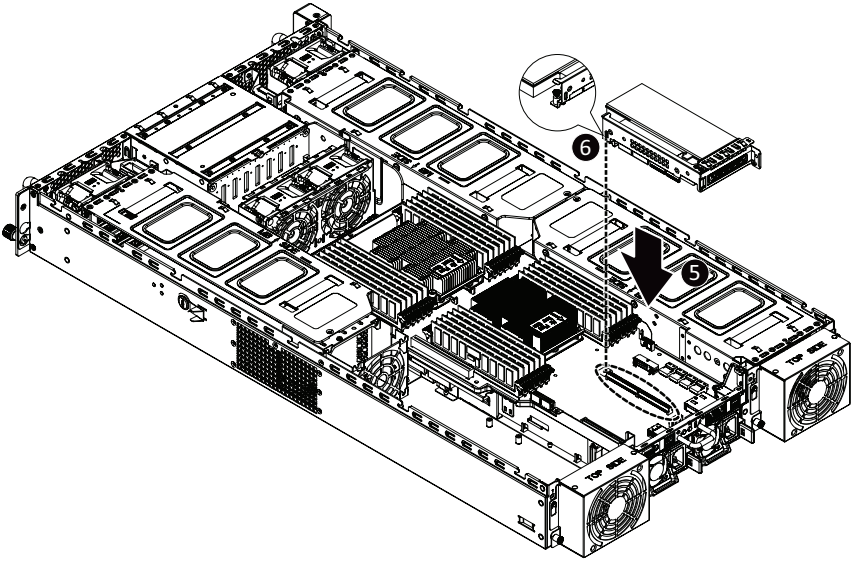




Follow these instructions to install a PCI Express x16 card on left side of the system:

1. Loosen the thumbnail screw securing the PCI Express card bracket on the left side of the system.
2. Remove the PCI Express card bracket from the system.
3. Install the PCI Express card into the bracket.
4. Secure the PCI Express card to the bracket with one screw.
5. Install the PCI Express card bracket with card back into the system, ensure that the connector on the bracket is securely installed into the connector on the motherboard as shown.
6. Secure the PCI Express card bracket with card to the system using the thumbnail screw.





3-7 Installing the Hard Disk Drive



Read the following guidelines before you begin to install the Hard disk drive:

- Take note of the drive tray orientation before sliding it out.
- The tray will not fit back into the bay if inserted incorrectly.
- Make sure that the HDD is connected to the HDD connector on the backplane.

Follow these instructions to install a 2.5" hard disk drive:

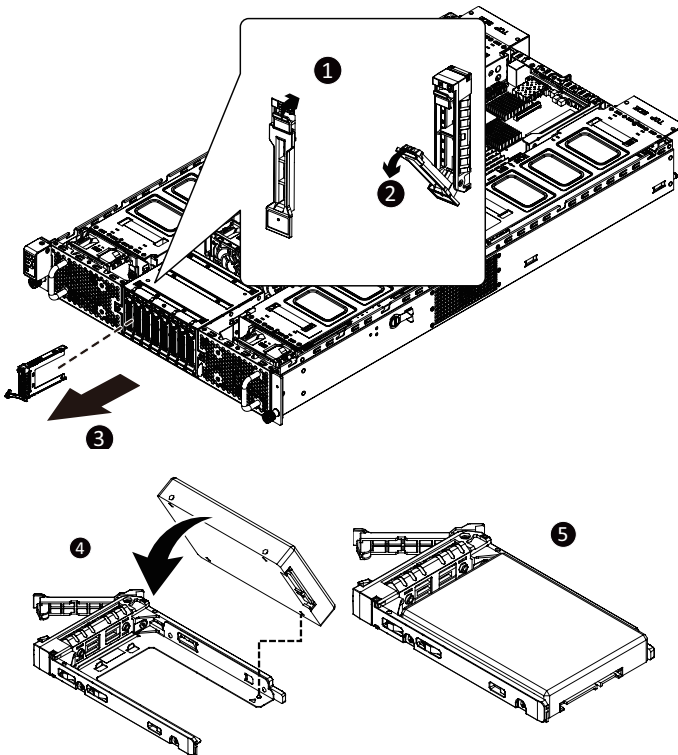
1. Press the release button.
2. Extend the locking lever.
3. Pull the locking lever to remove the HDD tray.
4. Slide the hard disk drive into the blank HDD tray.
5. Secure the hard drive to the tray with four (4) screws as shown. Do not over tighten the screws. Slide the hard drive tray into the bay until it locks in place.

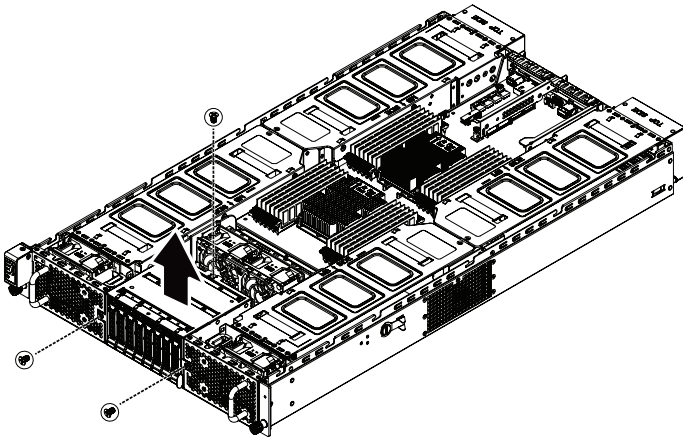


CAUTION!

We strongly recommend using enterprise level hard disk drives in the Gigabyte server system. For more information of recommended HDDs, please visit the Gigabyte website:

<https://www.gigabyte.com> and search for the specific product QVL from **Support & Downloads**.





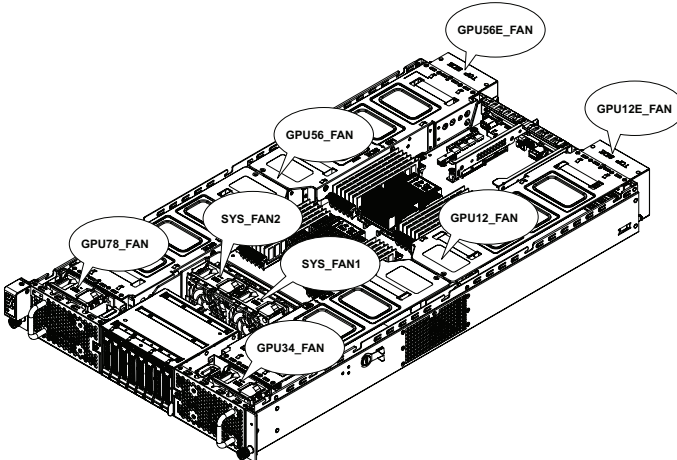
3-8 Replacing the FAN Assembly

CAUTION!



Before you remove or install the system fans follow these steps:

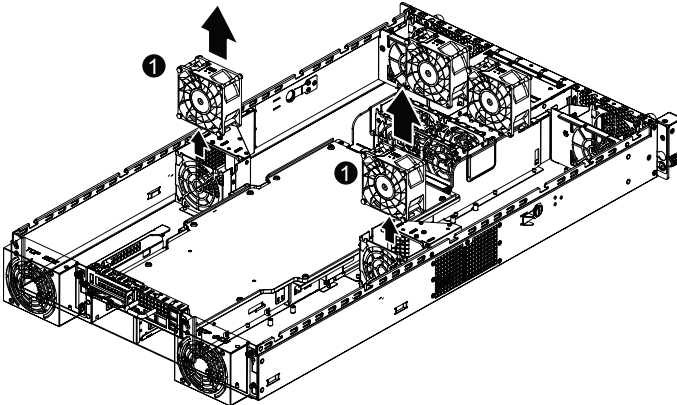
- Make sure the system is not turned on or connected to the AC power..
- Disconnect all necessary cable connections. Failure to observe these warnings could result in personal injury or damage to the equipment.

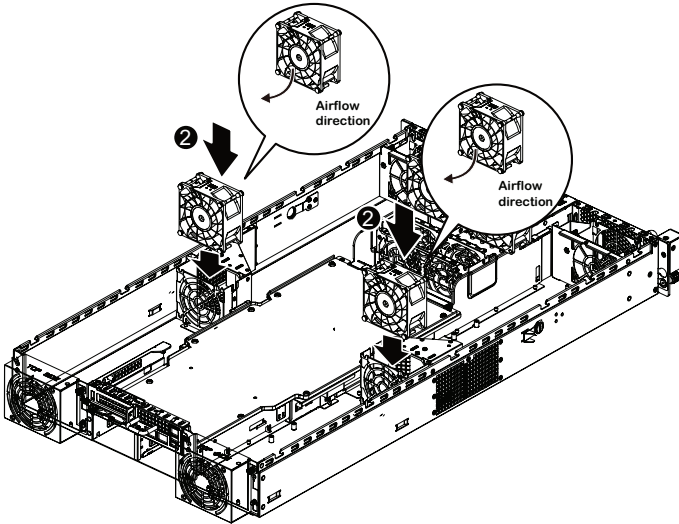


Follow these instructions to replace the fan assembly:

[For GPU12_FAN/GPU24_FAN/GPU56_FAN/GPU78_FAN]

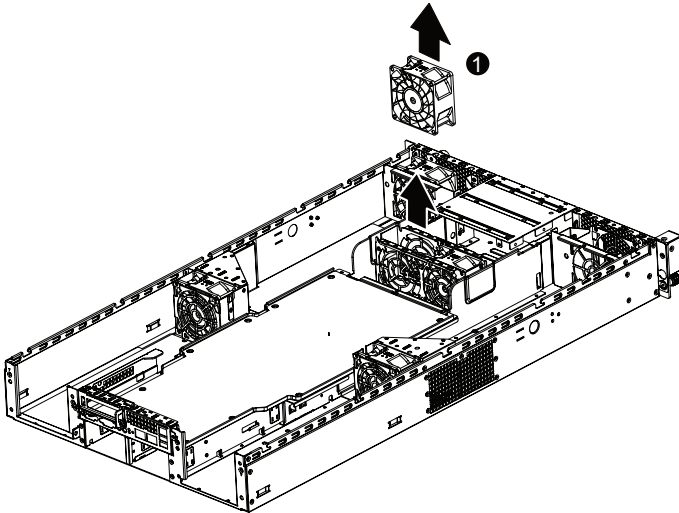
1. Disconnect the fan cable and then lift up the fan assembly from the chassis.
2. Reverse the previous steps to install the replacement fan assembly.

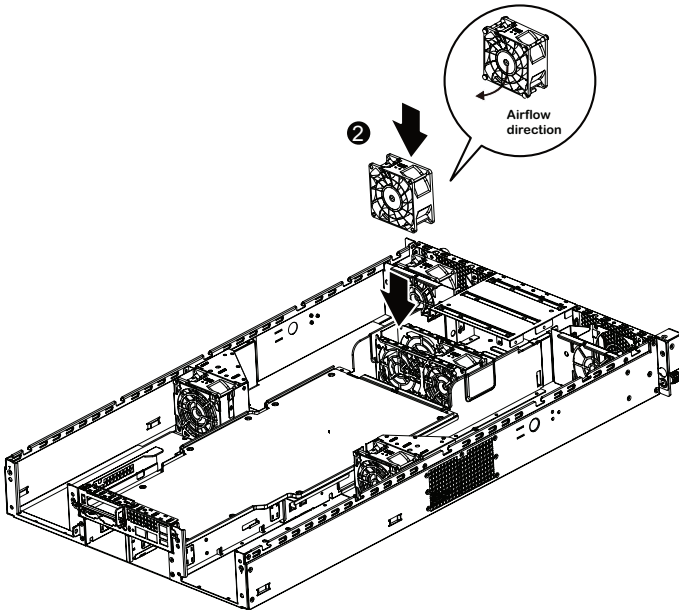




[For SYS_FAN1/SYS_FAN2]

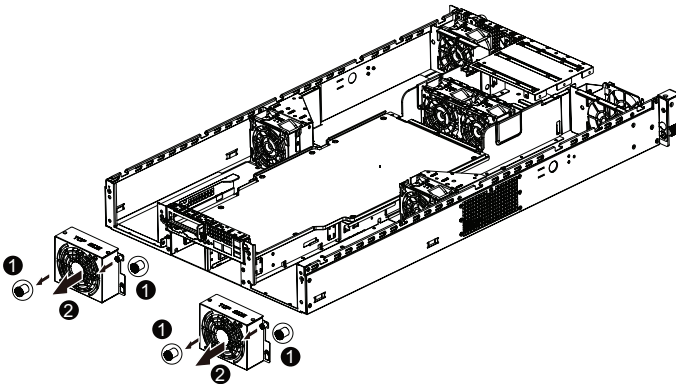
1. Disconnect the fan cable and then lift up the fan assembly from the chassis.
2. Reverse the previous steps to install the replacement fan assembly.

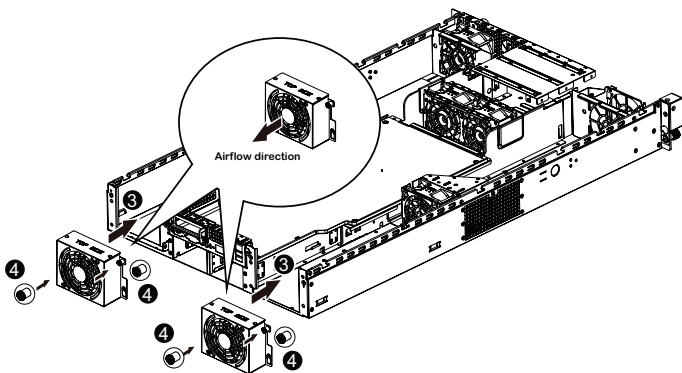




[For GPU12E_FAN/GPU56E_FAN]

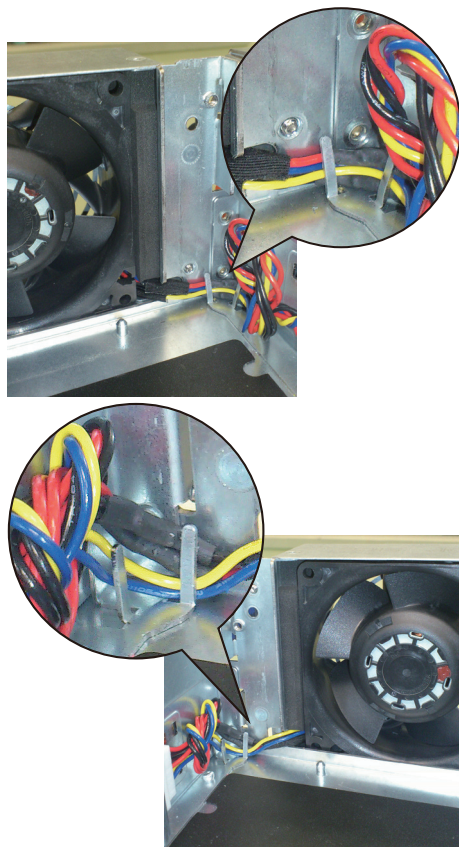
1. Disconnect the fan cable and then loosen and remove the screws securing the fan cage.
2. Remove the fan cage from the system
3. Reverse the previous steps to install the replacement fan assembly.





CAUTION!

- To avoid fan cable damage, please make sure the fan cables are firmly seated in the cable routing hooks.



3-9 Replacing the Power Supply

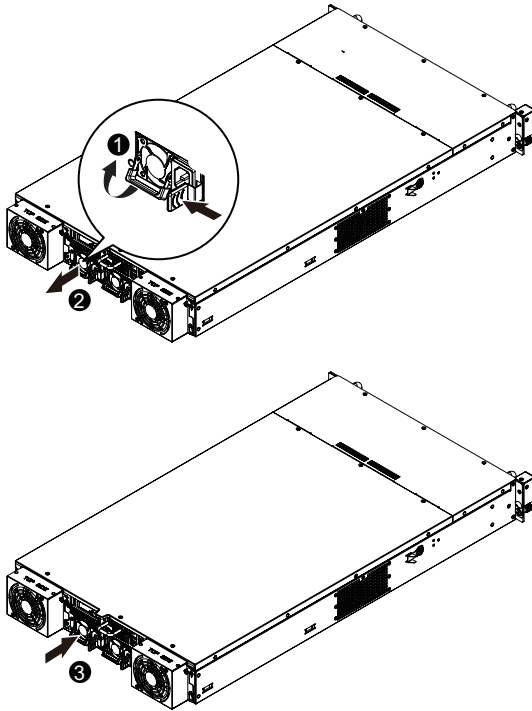


CAUTION!

- In order to reduce the risk of injury from electric shock, disconnect AC power from the power supply before removing it from the system.

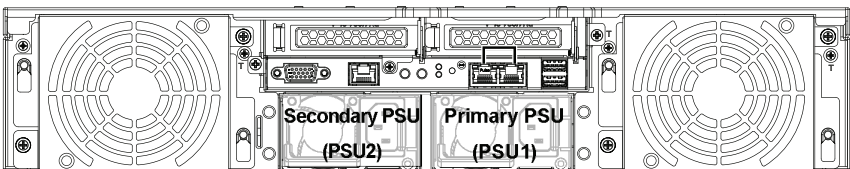
Follow these instructions to replace the power supply:

1. Pull up the power supply handle and press the retaining clip on the right side of the power supply along the direction of the arrow.
2. At the same time, pull out the power supply using the handle.
3. Insert the replacement power supply firmly into the chassis. Connect the AC power cord to the replacement power supply.



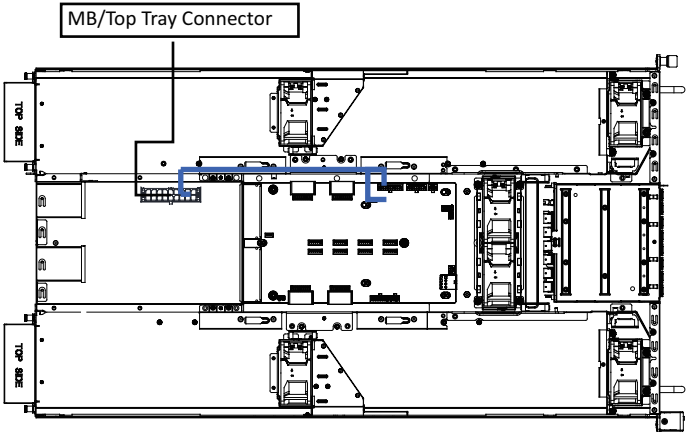
CAUTION!

- Please see the illustration below for installation sequence.

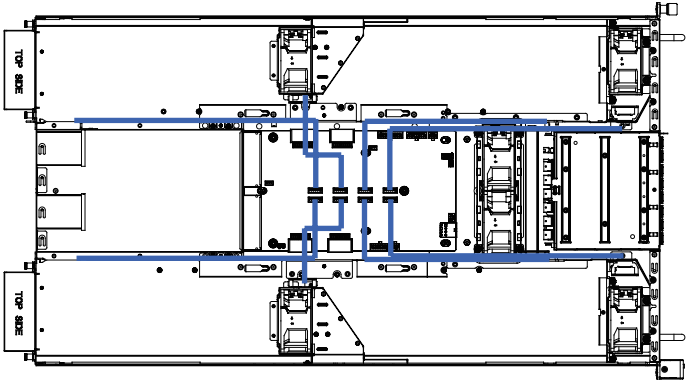


3-10 Cable Routing

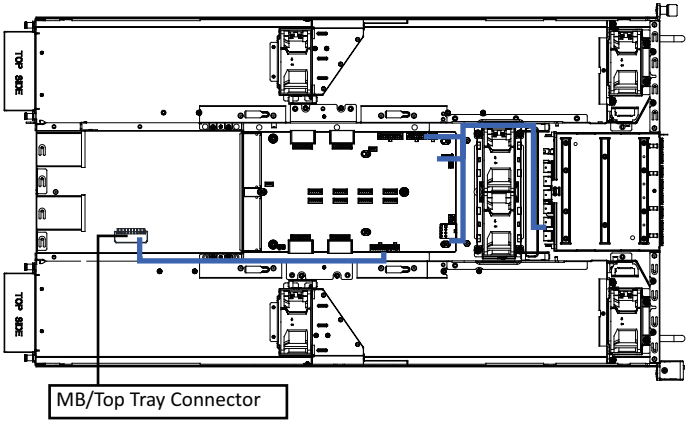
System Main Power



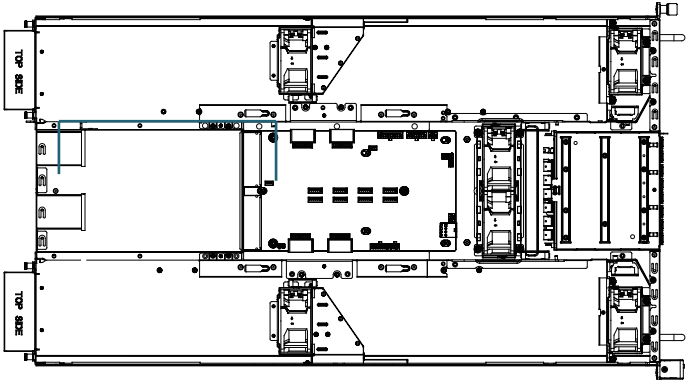
System Fan Power



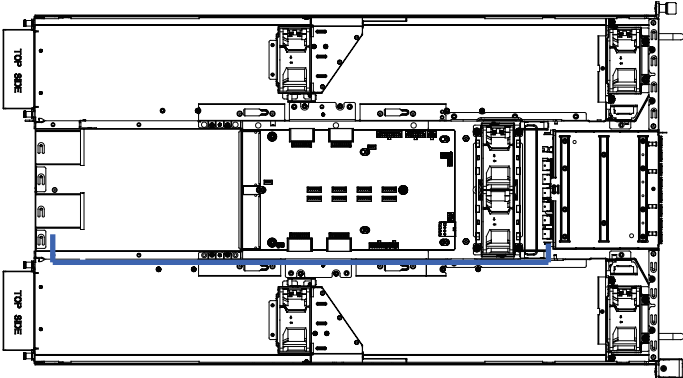
CPU Power



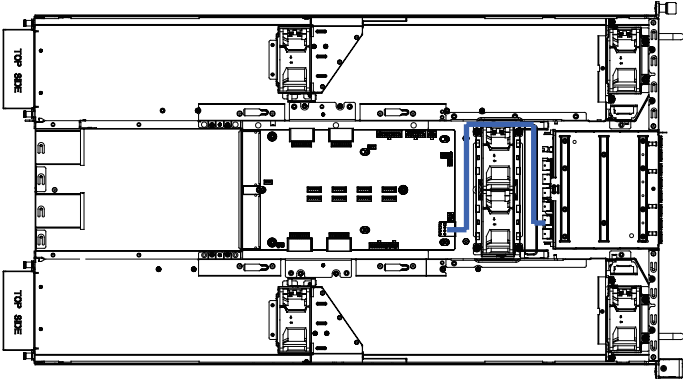
1 x 3 Power



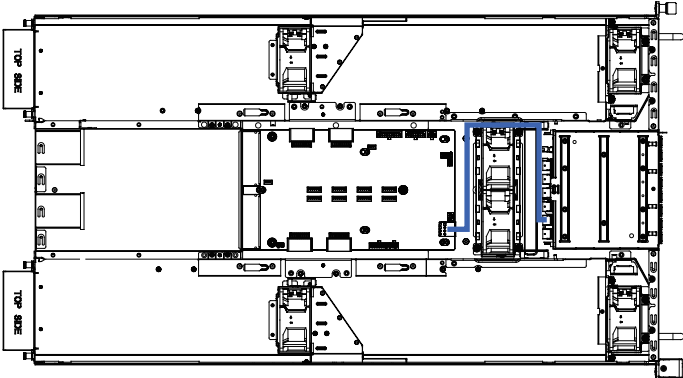
HDD Backplane Board Signal



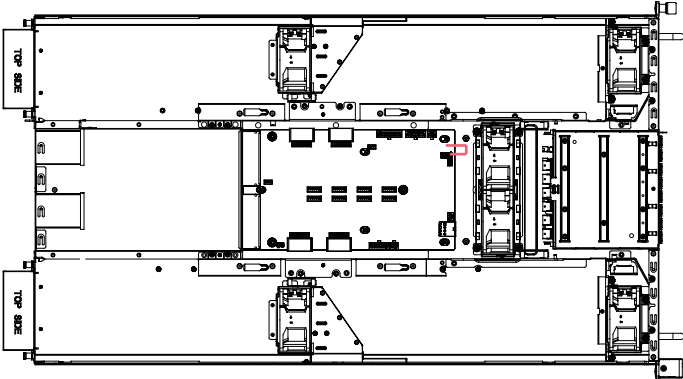
HDD Backplane Board Power



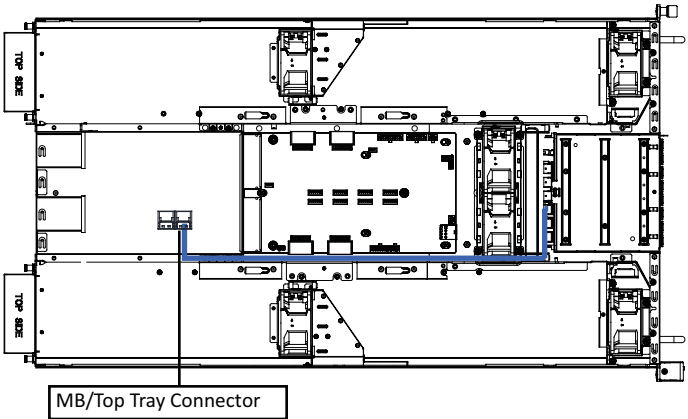
Power Distribution Board to HDD Backplane Board Power



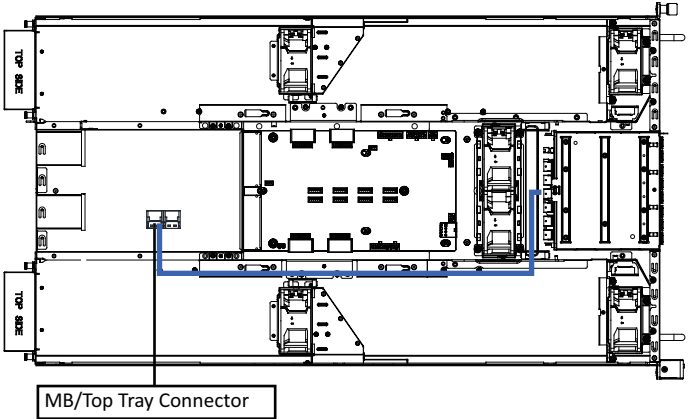
SMD



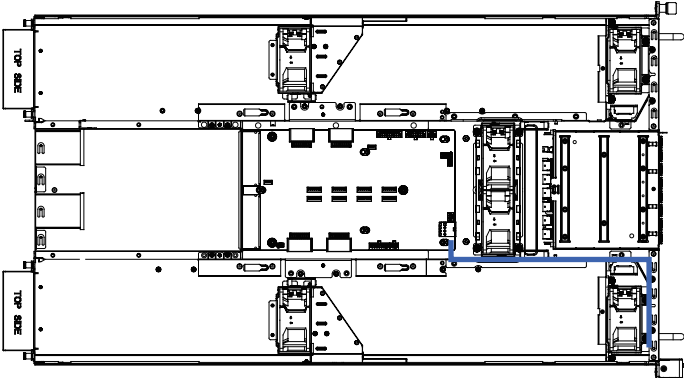
SlimLine SAS #1



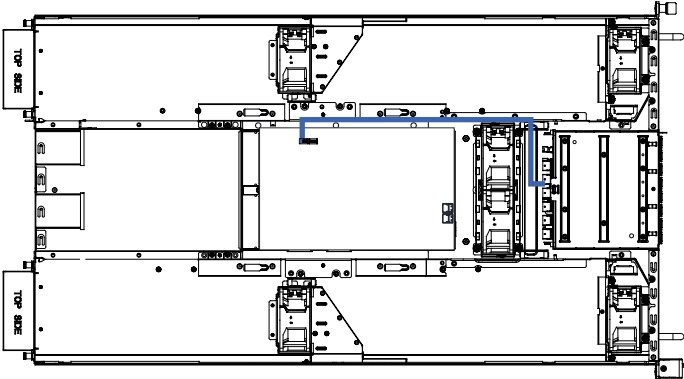
SlimLine SAS #2



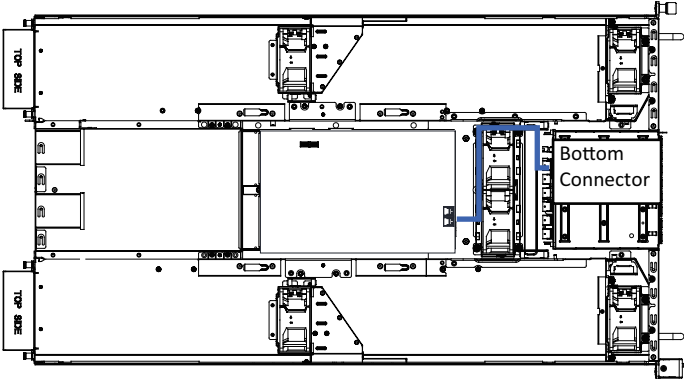
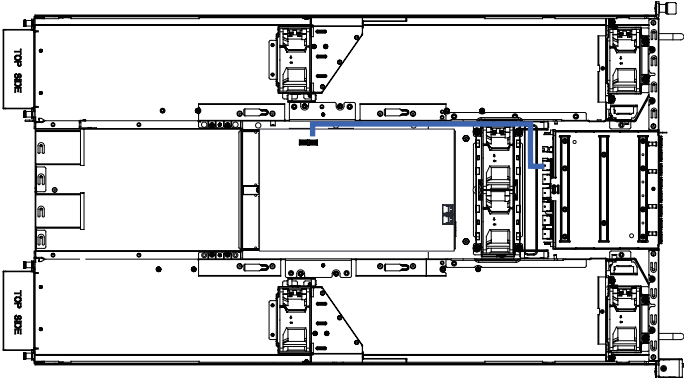
Front Panel IO



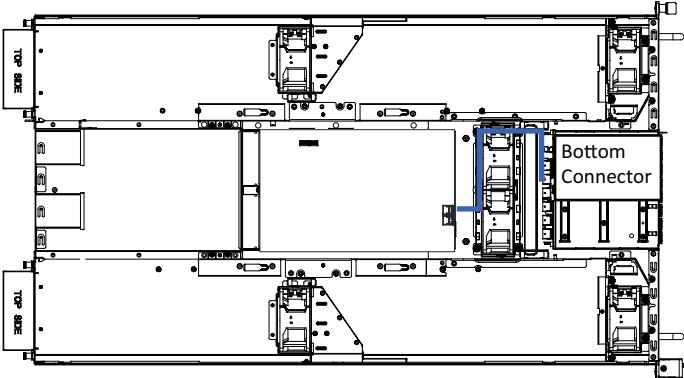
NVMe



NVMe

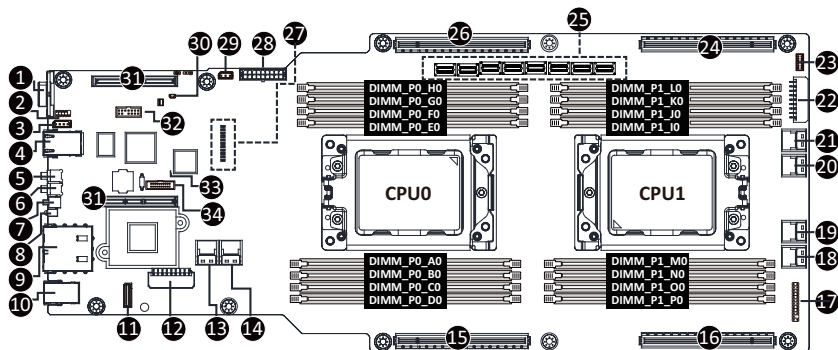


NVMe



Chapter 4 Motherboard Components

4-1 Motherboard Components

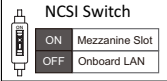
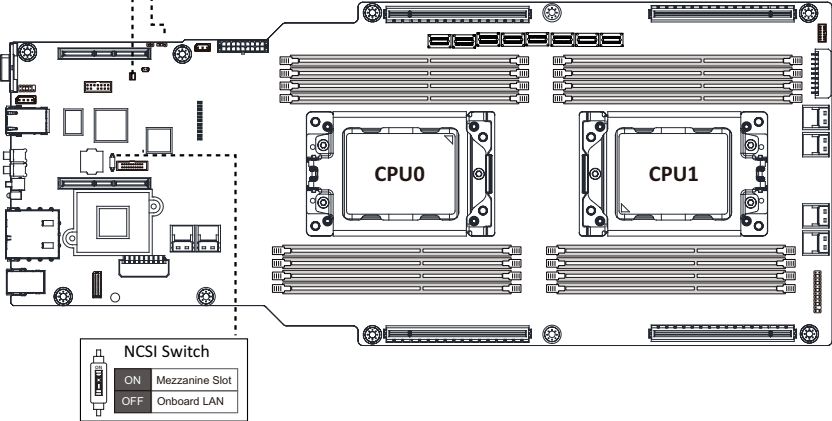
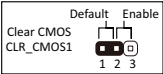


| Item | Description |
|------|--|
| 1 | Rear VGA Port |
| 2 | Serial Port Connector |
| 3 | IPMB Connector |
| 4 | 10/100/1000 Server Management LAN Port |
| 5 | Power Button with LED |
| 6 | ID Button with LED |
| 7 | Reset Button (top)/ NMI Button (bottom) |
| 8 | System Status LED |
| 9 | 10G RJ45 Type LAN Port #1/#2 |
| 10 | USB 3.0 Port x 2 |
| 11 | HDD Back Plane Board Connector |
| 12 | 2 x 9 Pin Power Connector (for CPU0) |
| 13 | SlimLine 4i Connector #0 (SL_SATA0) |
| 14 | SlimLine 4i Connector #1 (SL_SATA1) |
| 15 | PCIe x16 Slot #2 |
| 16 | PCIe x16 Slot #4 |
| 17 | Front Panel Header (primary) |
| 18 | SlimLine 4i Connector #3 (U2_P1_P0_1/support NVMe) |
| 19 | SlimLine 4i Connector #3 (U2_P1_P0_0/support NVMe) |
| 20 | SlimLine 4i Connector #4 (SL_SATA4) |
| 21 | SlimLine 4i Connector #3 (SL_SATA3) |
| 22 | 2 x 9 Pin CPU Power Connector (for CPU1) |
| 23 | Front Panel Header (secondary/for power distribution board) |
| 24 | PCIe x16 Slot #3 |
| 25 | SlimLine 4i Connector x 8 (U2_P1_G1_7~4, U2_P0_G3_3~0/Right to Left) |
| 26 | PCIe x16 Slot #1 |
| 27 | Related System Voltage Status LED |
| 28 | 2 x 9 Pin System Power Connector |
| 29 | 12V Standby Power Connector (for system power) |

| | |
|----|--------------------------------|
| 30 | System Battery Cable Connector |
| 31 | Mezzanine Slot |
| 32 | TPM Connector |
| 33 | BMC Readiness LED |
| 34 | NCSI Cable Connector |

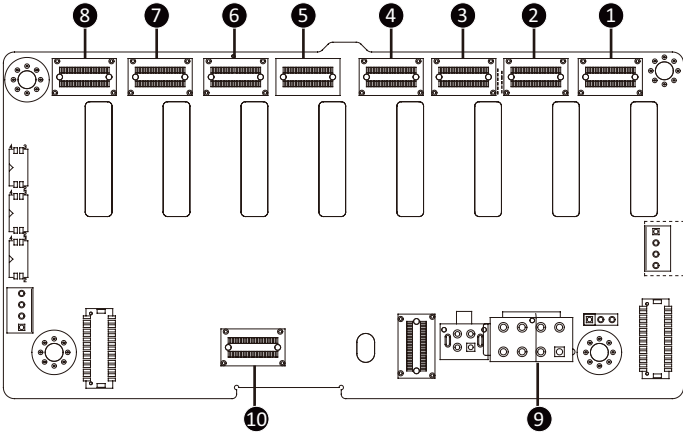
4-2 Jumper Setting

| J1 | | ON | OFF |
|----|----------------|---------------------------|------------------|
| 1 | HOST_SMBUS_SEL | BIOS defined | |
| 2 | PMBUS_SEL | BIOS defined | |
| 3 | BIOS_PWD | Clear supervisor password | Normal [Default] |
| 4 | BIOS ROCOVERY | BIOS recovery mode | Normal [Default] |



4-3 Backplane Board Storage Connector

4-3-1 CBPG084



| Item | Description |
|------|-----------------------------|
| 1 | SlimLine Connector (U2_0) |
| 2 | SlimLine Connector (U2_1) |
| 3 | SlimLine Connector (U2_2) |
| 4 | SlimLine Connector (U2_3) |
| 5 | SlimLine Connector (U2_4) |
| 6 | SlimLine Connector (U2_5) |
| 7 | SlimLine Connector (U2_6) |
| 8 | SlimLine Connector (U2_7) |
| 9 | SlimLine Connector (SL_CN1) |
| 10 | SlimLine Connector (SL_CN2) |

Chapter 5 BIOS Setup

BIOS (Basic Input and Output System) records hardware parameters of the system in the EFI on the motherboard. Its major functions include conducting the Power-On Self-Test (POST) during system startup, saving system parameters, loading the operating system etc. The BIOS includes a BIOS Setup program that allows the user to modify basic system configuration settings or to activate certain system features. When the power is turned off, the battery on the motherboard supplies the necessary power to the CMOS to keep the configuration values in the CMOS.

To access the BIOS Setup program, press the key during the POST when the power is turned on.



- BIOS flashing is potentially risky, if you do not encounter any problems when using the current BIOS version, it is recommended that you don't flash the BIOS. To flash the BIOS, do it with caution. Inadequate BIOS flashing may result in system malfunction.
- It is recommended that you not alter the default settings (unless you need to) to prevent system instability or other unexpected results. Inadequately altering the settings may result in system's failure to boot. If this occurs, try to clear the CMOS values and reset the board to default values. (Refer to the **Exit** section in this chapter or introductions of the battery/clearing CMOS jumper in Chapter 4 for how to clear the CMOS values.)

BIOS Setup Program Function Keys

| | |
|----------|--|
| <<-><->> | Move the selection bar to select the screen |
| <↑><↓> | Move the selection bar to select an item |
| <+> | Increase the numeric value or make changes |
| <-> | Decrease the numeric value or make changes |
| <Enter> | Execute command or enter the submenu |
| <Esc> | Main Menu: Exit the BIOS Setup program Submenus: Exit current submenu |
| <F1> | Show descriptions of general help |
| <F3> | Restore the previous BIOS settings for the current submenus |
| <F9> | Load the Optimized BIOS default settings for the current submenus |
| <F10> | Save all the changes and exit the BIOS Setup program |

■ **Main**

This setup page includes all the items of the standard compatible BIOS.

■ **Advanced**

This setup page includes all the items of AMI BIOS special enhanced features.

(ex: Auto detect fan and temperature status, automatically configure hard disk parameters.)

■ **AMD CBS**

This setup page includes the common items for configuration of AMD motherboard-related information.

■ **AMD PBS Option**

This setup page includes the common items for configuration of AMD CPM RAS related settings.

■ **Chipset**

This setup page includes all the submenu options for configuring the functions of the North Bridge.

■ **Server Management**

Server additional features enabled/disabled setup menus.

■ **Security**

Change, set, or disable supervisor and user password. Configuration supervisor password allows you to restrict access to the system and BIOS Setup.

A supervisor password allows you to make changes in BIOS Setup.

A user password only allows you to view the BIOS settings but not to make changes.

■ **Boot**

This setup page provides items for configuration of the boot sequence.

■ **Save & Exit**

Save all the changes made in the BIOS Setup program to the CMOS and exit BIOS Setup. (Pressing <F10> can also carry out this task.)

Abandon all changes and the previous settings remain in effect. Pressing <Y> to the confirmation message will exit BIOS Setup. (Pressing <Esc> can also carry out this task.)

5-1 The Main Menu

Once you enter the BIOS Setup program, the Main Menu (as shown below) appears on the screen. Use arrow keys to move among the items and press <Enter> to accept or enter other sub-menu.

Main Menu Help

The on-screen description of a highlighted setup option is displayed on the bottom line of the Main Menu.

Submenu Help

While in a submenu, press <F1> to display a help screen (General Help) of function keys available for the menu. Press <Esc> to exit the help screen. Help for each item is in the Item Help block on the right side of the submenu.



- When the system is not stable as usual, select the **Restore Defaults** item to set your system to its defaults.
- The BIOS Setup menus described in this chapter are for reference only and may differ by BIOS version.

Top Screenshot: BIOS Information

| Section | Item | Value |
|--------------------|---------------------------------|---------------------------------|
| BIOS Information | Project Name | M242-G20-00 |
| | Project Version | M03a |
| | Build Date and Time | 02/26/2021 13:59:00 |
| BMC Information | BMC Firmware Version | 12.50.07 |
| | Processor Information | |
| CPU 0 Brand String | AMD EPYC 7663 56-Core Processor | |
| | CPU 1 Brand String | AMD EPYC 7663 56-Core Processor |
| CPU Speed | CPU Speed | 2000 MHz |
| | Processor Core | 56 |
| Microcode Patch | Microcode Patch | A001119 |
| Total Memory | Total Memory | 65536 MB |
| | Memory Speed | 3200 MT/s |
| VR Information | Version | 8258 |
| | AGESA PI Version | |
| PI Version | PI Version | 1.0.0.1 |

Legend:
+/: Select Screen
F1: Select Item
Enter: Select
+/-: Change Opt.
F1: General Help
F3: Previous Values
F9: Optimized Defaults
F10: Save & Exit
ESC: Exit

Bottom Screenshot: Processor Information

| Section | Item | Value |
|-------------------------|---------------------------------|---------------------------------|
| CPU 0 Brand String | AMD EPYC 7663 56-Core Processor | |
| | CPU 1 Brand String | AMD EPYC 7663 56-Core Processor |
| CPU Speed | CPU Speed | 2000 MHz |
| | Processor Core | 56 |
| Microcode Patch | Microcode Patch | A001119 |
| Total Memory | Total Memory | 65536 MB |
| | Memory Speed | 3200 MT/s |
| VR Information | Version | 8258 |
| | AGESA PI Version | |
| PI Version | PI Version | 1.0.0.1 |
| Onboard LAN Information | LAN1 MAC Address | B4-2E-99-BE-92-1F |
| | LAN2 MAC Address | B4-2E-99-BE-92-20 |
| | System Date | |
| System Time | [Fri 01/01/2021] | [22:16:56] |

Legend:
+/: Select Screen
F1: Select Item
Enter: Select
+/-: Change Opt.
F1: General Help
F3: Previous Values
F9: Optimized Defaults
F10: Save & Exit
ESC: Exit

Additional Note: Set the Time. Use Tab to switch between Time elements.

| Parameter | Description |
|---|---|
| BIOS Information | |
| Project Name | Displays the project name information. |
| Project Version | Displays version number of the BIOS setup utility. |
| Build Date and Time | Displays the date and time when the BIOS setup utility was created. |
| BMC Information | |
| BMC Firmware Version | Displays BMC firmware version information. |
| CPU Brand String / CPU Speed / Processor Core / Microcode Patch | Displays the technical information for the installed processor(s). |
| Total Memory ^(Note3) | Displays the total memory size of the installed memory. |
| Memory Frequency ^(Note3) | Displays the frequency information of the installed memory. |
| VR Information Version | Displays VR version information. |
| AGESA PI Version PI Version | Displays AGESA PI version information. |
| Onboard LAN Information | |
| LAN1 MAC Address ^(Note1) | Displays LAN MAC address information. |
| LAN2 MAC Address ^(Note2) | Displays LAN MAC address information. |
| System Date | Sets the date following the weekday-month-day-year format. |
| System Time | Sets the system time following the hour-minute-second format. |

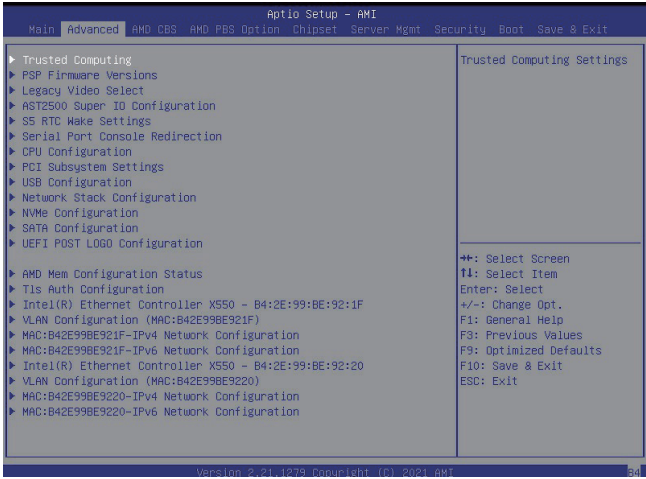
(Note1) The number of LAN ports listed will depend on the motherboard / system model.

(Note2) This section will display capacity and frequency information of the memory that the customer has installed.

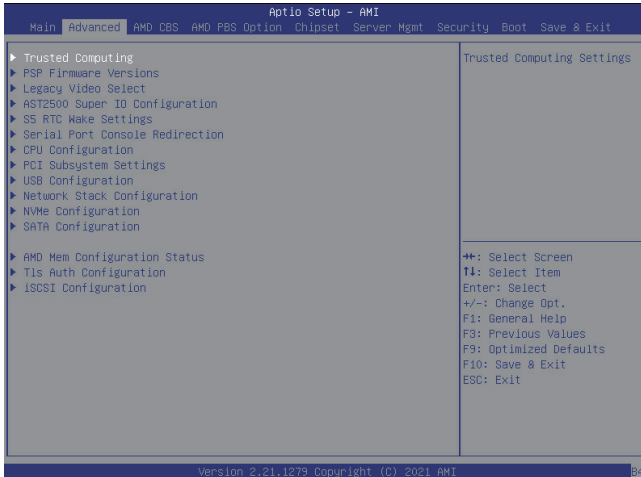
5-2 Advanced Menu

The Advanced Menu displays submenu options for configuring the function of various hardware components. Select a submenu item, then press <Enter> to access the related submenu screen.

When Boot Mode Select is set to UEFI (Default)



When "Boot Mode Select" is set to Legacy in the Boot > Boot Mode Select section



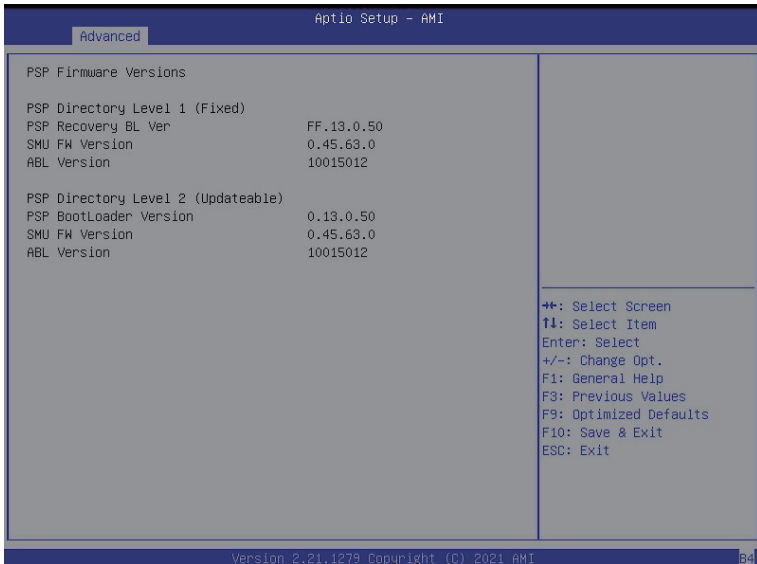
5-2-1 Trusted Computing



| Parameter | Description |
|-------------------------|---|
| Configuration | |
| Security Device Support | <p>Enable/Disable BIOS support for security device. OS will not show security device. TCG EFI protocol and INT1A interface will not be available.</p> <p>Options available: Enable/Disable. Default setting is Enable.</p> |
| SPI TPM Support | <p>Select Enable to activate TPM support feature.</p> <p>Options available: Enabled/Disabled. Default setting is Disabled</p> |

5-2-2 PSP Firmware Versions

The PSP Firmware Versions page displays the basic PSP firmware version information. Items on this window are non-configurable.



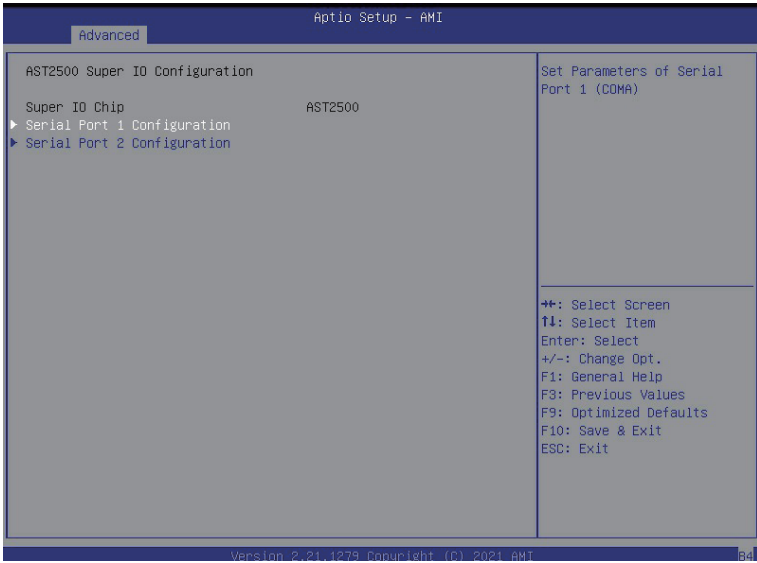
5-2-3 Legacy Video Select



| Parameter | Description |
|--|---|
| OnBrd/Ext VGA Select ^(Note) | Selects between onboard or external VGA support. Options available: Auto, Onboard, External. Default setting is Onboard . |

(Note) This configurable option will be displayed when "Boot Mode Select" is set to **Legacy** in the Boot > Boot Mode Select section.

5-2-4 AST2500 Super IO Configuration



| Parameter | Description |
|--------------------------------|--|
| AST2500 Super IO Configuration | |
| Super IO Chip | Displays the super IO chip information |
| Serial Port 1/2 Configuration | Press [Enter] for configuration of advanced items. |

5-2-4-1 Serial Port 1/2 Configuration

Aptio Setup Utility - Copyright (C) 2020 American Megatrends, Inc.

Advanced

| | | |
|-----------------------------|-----------------|-------------------------------------|
| Serial Port 1 Configuration | | Enable or Disable Serial Port (COM) |
| Serial Port | [Enabled] | |
| Device Settings | ID=3F8h; IRQ=4; | |
| Change Settings | [Auto] | |

++: Select Screen
↑↓: Select Item
Enter: Select
+/-: Change Opt.
F1: General Help
F3: Previous Values
F9: Optimized Defaults
F10: Save & Exit
ESC: Exit

Version 2.20.1275. Copyright (C) 2020 American Megatrends, Inc. B4

Aptio Setup Utility - Copyright (C) 2020 American Megatrends, Inc.

Advanced

| | | |
|-----------------------------|-----------------|-------------------------------------|
| Serial Port 2 Configuration | | Enable or Disable Serial Port (COM) |
| Serial Port | [Enabled] | |
| Device Settings | ID=2F8h; IRQ=3; | |
| Change Settings | [Auto] | |

++: Select Screen
↑↓: Select Item
Enter: Select
+/-: Change Opt.
F1: General Help
F3: Previous Values
F9: Optimized Defaults
F10: Save & Exit
ESC: Exit

Version 2.20.1275. Copyright (C) 2020 American Megatrends, Inc. B4

| Parameter | Description |
|-------------------------------------|--|
| Serial Port 1/2 Configuration | |
| Serial Port ^(Note1) | Enable/Disable the Serial Port (COM). When set to Enabled allows you to configure the Serial port 1/2 settings. When set to Disabled, displays no configuration for the serial port. Options available: Enabled/Disabled. Default setting is Enabled . |
| Devices Settings ^(Note2) | Displays the Serial Port 1/2 device settings. |
| Change Settings ^(Note2) | Select an optimal settings for Super IO Device. Options available for Serial Port 1: Auto IO=3F8h; IRQ=4; IO=3F8h; IRQ=3, 4, 5, 6, 7, 9, 10, 11, 12; IO=2F8h; IRQ=3, 4, 5, 6, 7, 9, 10, 11, 12; IO=3E8h; IRQ=3, 4, 5, 6, 7, 9, 10, 11, 12; IO=2E8h; IRQ=3, 4, 5, 6, 7, 9, 10, 11, 12; Default setting is Auto . Options available for Serial Port 2: Auto IO=2F8h; IRQ=3; IO=3F8h; IRQ=3, 4, 5, 6, 7, 9, 10, 11, 12; IO=2F8h; IRQ=3, 4, 5, 6, 7, 9, 10, 11, 12; IO=3E8h; IRQ=3, 4, 5, 6, 7, 9, 10, 11, 12; IO=2E8h; IRQ=3, 4, 5, 6, 7, 9, 10, 11, 12; Default setting is Auto . Please note that this item is configurable when Serial Port is set to Enabled. |

(Note1) Advanced items prompt when this item is defined.

(Note2) This item appears when **Serial Port** is set to **Enabled**.

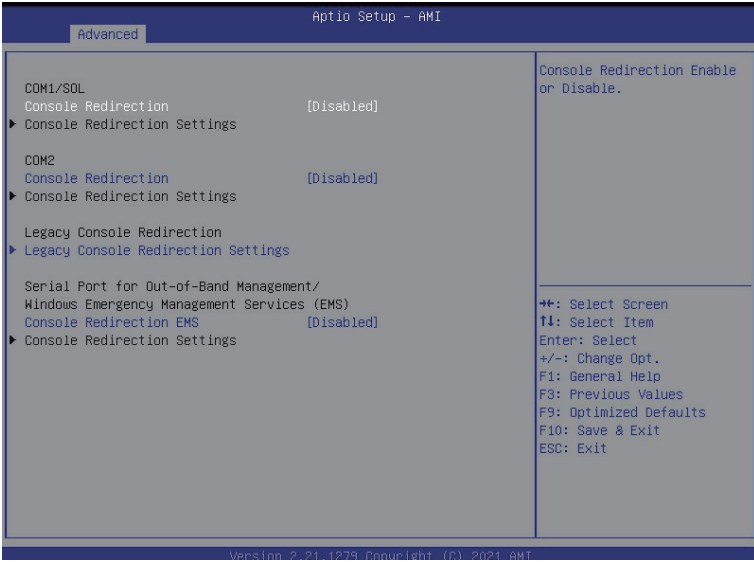
5-2-5 S5 RTC Wake Settings



| Parameter | Description |
|--|--|
| Wake System from S5 ^(Note1) | Enable/Disable system wake on alarm event. Options available: Disabled/Fixed Time. When Fixed Time enabled, system will wake on the hr::min::sec specified. Default setting is Disabled . |

(Note1) Advanced items prompt when this item is defined.

5-2-6 Serial Port Console Redirection



| Parameter | Description |
|--|---|
| COM1/2 Serial Over LAN (Note) | <p>Select whether to enable console redirection for specified device. Console redirection enables the users to manage the system from a remote location.</p> <p>Options available: Enabled/Disabled. Default setting is Disabled.</p> |
| COM1/2 Serial Over LAN Console Redirection Settings | <p>Press [Enter] to configure advanced items.</p> <p>Please note that this item is configurable when COM1/Serial Over LAN & COM2 Console Redirection is set to Enabled.</p> <ul style="list-style-type: none"> ◆ Terminal Type <ul style="list-style-type: none"> – Selects a terminal type to be used for console redirection. – Options available: VT100, VT100+, ANSI, VT-UTF8. Default setting is ANSI. ◆ Bits per second <ul style="list-style-type: none"> – Selects the transfer rate for console redirection. – Options available: 9600, 19200, 38400, 57600, 115200. Default setting is 115200. ◆ Data Bits <ul style="list-style-type: none"> – Selects the number of data bits used for console redirection. – Options available: 7/8. Default setting is 8. |

(Note) Advanced items prompt when this item is defined.

| Parameter | Description |
|---|---|
| COM1/Serial Over LAN Console Redirection Settings (continued) | <ul style="list-style-type: none"> ◆ Parity <ul style="list-style-type: none"> – A parity bit can be sent with the data bits to detect some transmission errors. – Even: parity bit is 0 if the num of 1's in the data bits is even. – Odd: parity bit is 0 if num of 1's in the data bits is odd. – Mark: parity bit is always 1. Space: Parity bit is always 0. – Mark and Space Parity do not allow for error detection. – Options available: None, Even, Odd, Mark, Space. Default setting is None. ◆ Stop Bits <ul style="list-style-type: none"> – Stop bits indicate the end of a serial data packet. (A start bit indicates the beginning). The standard setting is 1 stop bit. Communication with slow devices may require more than 1 stop bit. – Options available: 1/2. Default setting is 1. ◆ Flow Control <ul style="list-style-type: none"> – Flow control can prevent data loss from buffer overflow. When sending data, if the receiving buffers are full, a 'stop' signal can be sent to stop the data flow. Once the buffers are empty, a 'start' signal can be sent to re-start the flow. Hardware flow control uses two wires to send start/stop signals. – Options available: None, Hardware RTS/CTS. Default setting is None. ◆ VT-UTF8 Combo Key Support <ul style="list-style-type: none"> – Enable/Disable the VT-UTF8 Combo Key Support. – Options available: Enabled/Disabled. Default setting is Enabled. ◆ Recorder Mode^(Note) <ul style="list-style-type: none"> – When this mode enabled, only texts will be send. This is to capture Terminal data. – Options available: Enabled/Disabled. Default setting is Disabled. ◆ Resolution 100x31^(Note) <ul style="list-style-type: none"> – Enable/Disable extended terminal resolution. – Options available: Enabled/Disabled. Default setting is Enabled. ◆ Putty KeyPad^(Note) <ul style="list-style-type: none"> – Selects FunctionKey and LeyPad on Putty. – Options available: VT100, LINUX, XTERMR6, SC0, ESCN, VT400. Default setting is VT100. |

(Note) Advanced items prompt when this item is defined.

| Parameter | Description |
|--|--|
| Legacy Console Redirection | |
| Legacy Console Redirection Settings | <p>Press [Enter] to configure advanced items.</p> <ul style="list-style-type: none"> ◆ Redirection COM Port <ul style="list-style-type: none"> – Selects a COM port for Legacy serial redirection. – Options available: COM1/Serial Over LAN, COM2. Default setting is COM1/Serial Over LAN. ◆ Resolution <ul style="list-style-type: none"> – Selects the number of rows and columns used in Console Redirection for legacy OS support. – Options available: 80x24, 80x25. Default setting is 80x24. ◆ Redirect After POST <ul style="list-style-type: none"> – When Bootloader is selected, then Legacy Console Redirection is disabled before booting to legacy OS. When Always Enable is selected, then Legacy Console Redirection is enabled for legacy OS. – Options available: Always Enable, BootLoader. Default setting is Always Enable. |
| Serial Port for Out-of-Band Management / Windows Emergency Management Services (EMS) Console Redirection ^(Note) | <p>EMS console redirection allows the user to configure Console Redirection Settings to support Out-of-Band Serial Port management.</p> <p>Options available: Enabled/Disabled. Default setting is Disabled.</p> |
| Serial Port for Out-of-Band EMS Console Redirection Settings | <p>Press [Enter] to configure advanced items.</p> <p>Please note that this item is configurable when Serial Port for Out-of-Band Management EMS Console Redirection is set to Enabled.</p> <ul style="list-style-type: none"> ◆ Out-of-Band Mgmt Port <ul style="list-style-type: none"> – Microsoft Windows Emergency Management Service (EMS) allows for remote management of a Windows Server OS through a serial port. – Options available: COM1/Serial Over LAN, COM2. Default setting is COM1/Serial Over LAN. ◆ Terminal Type <ul style="list-style-type: none"> – Selects a terminal type to be used for console redirection. – Options available: VT100, VT100+, ANSI, VT-UTF8. Default setting is ANSI. ◆ Bits per second <ul style="list-style-type: none"> – Selects the transfer rate for console redirection. – Options available: 9600, 19200, 38400, 57600, 115200. Default setting is 115200. |

(Note) Advanced items prompt when this item is defined.

| Parameter | Description |
|---|---|
| Serial Port for Out-of-Band EMS Console Redirection Settings(continued) | <ul style="list-style-type: none">◆ Flow Control<ul style="list-style-type: none">– Flow control can prevent data loss from buffer overflow. When sending data, if the receiving buffers are full, a 'stop' signal can be sent to stop the data flow. Once the buffers are empty, a 'start' signal can be sent to re-start the flow. Hardware flow control uses two wires to send start/stop signals.– Options available: None, Hardware RTS/CTS, Software Xon/Xoff. Default setting is None. |

5-2-7 CPU Configuration



| Parameter | Description |
|---------------------|---|
| SVM Mode | Enable/Disable the CPU Virtualization. Options available: Enabled/Disabled. Default setting is Enabled . |
| SMEE | Controls the Secure Memory Encryption Enable (SMEE) function. Options available: Enabled/Disabled. Default setting is Enabled . |
| CPU 0/1 Information | Press [Enter] to view more information related to CPU0/1. |

5-2-8 PCI Subsystem Settings

Advanced Aptio Setup - AMI

| | | |
|------------------------------|-----------|---|
| PCI Bus Driver Version | A5.01.24 | ▲ Enable/Disable PCIe_1 I/O ROM. ⇄+: Select Screen ⇄↑: Select Item Enter: Select +/-: Change Opt. F1: General Help F8: Previous Values F9: Optimized Defaults F10: Save & Exit ESC: Exit |
| PCI_E_1 Lanes | | |
| PCI_E_1 I/O ROM | [Enabled] | |
| PCI_E_2 Lanes | | |
| PCI_E_2 I/O ROM | [Enabled] | |
| PCI_E_3 Lanes | | |
| PCI_E_3 I/O ROM | [Enabled] | |
| PCI_E_4 Lanes | | |
| PCI_E_4 I/O ROM | [Enabled] | |
| GEN2_1 Lanes | [Auto] | |
| GEN2_1 I/O ROM | [Enabled] | |
| GEN2_2 Lanes | [Auto] | |
| GEN2_2 I/O ROM | [Enabled] | |
| Onboard LAN Controller | [Enabled] | |
| Onboard LAN1 I/O ROM | [Enabled] | |
| Onboard LAN2 I/O ROM | [Enabled] | |
| PCI Devices Common Settings: | | |

Version 2.21.1279 Copyright (C) 2021 AMI

Advanced Aptio Setup - AMI

| | | |
|------------------------------|-----------|--|
| PCI_E_1 Lanes | | ▲ If system has SR-IOV capable PCIe Devices, this option Enables or Disables Single Root IO Virtualization Support. ⇄+: Select Screen ⇄↑: Select Item Enter: Select +/-: Change Opt. F1: General Help F8: Previous Values F9: Optimized Defaults F10: Save & Exit ESC: Exit |
| PCI_E_1 I/O ROM | [Enabled] | |
| PCI_E_2 Lanes | | |
| PCI_E_2 I/O ROM | [Enabled] | |
| PCI_E_3 Lanes | | |
| PCI_E_3 I/O ROM | [Enabled] | |
| PCI_E_4 Lanes | | |
| PCI_E_4 I/O ROM | [Enabled] | |
| GEN2_1 Lanes | [Auto] | |
| GEN2_1 I/O ROM | [Enabled] | |
| GEN2_2 Lanes | [Auto] | |
| GEN2_2 I/O ROM | [Enabled] | |
| Onboard LAN Controller | [Enabled] | |
| Onboard LAN1 I/O ROM | [Enabled] | |
| Onboard LAN2 I/O ROM | [Enabled] | |
| PCI Devices Common Settings: | | |
| Above 4G Decoding | [Enabled] | |
| SR-IOV Support | [Enabled] | |

Version 2.21.1279 Copyright (C) 2021 AMI

| Parameter | Description |
|--|--|
| PCI Bus Driver Version | Displays the PCI Bus Driver version information. |
| PCIE_# ^(Note1) Lanes Configuration GEN_# Lanes Configuration | Change the PCIe lanes. Options available: Disabled, Auto, x16, x8x8, x8x4x4, x4x4x8, x4x4x4x4. Default setting is Auto . |
| PCIE_# I/O ROM ^(Note1) GEN_# I/O ROM ^(Note1) | When enabled, this setting will initialize the device expansion ROM for the related PCI-E slot. Options available: Enabled/Disabled. Default setting is Enabled . |
| Onboard LAN Controller ^(Note2) | Enable/Disable the onboard LAN devices. Options available: Enabled/Disabled. Default setting is Enabled . |
| Onboard LAN I/O ROM ^(Note2) | Enable/Disable the onboard LAN devices, and initializes device expansion ROM. Options available: Enabled/Disabled. Default setting is Enabled . |
| PCI Devices Common Settings | |
| Above 4G Decoding | Enable/Disable memory mapped I/O to 4GB or greater address space (Above 4G Decoding). Options available: Enabled/Disabled. Default setting is Enabled . |
| SR-IOV Support | If the system has SR-IOV capable PCIe devices, this item Enable/Disable Single Root IO Virtualization Support. Options available: Enabled/Disabled. Default setting is Enabled . |

(Note1) This section is dependent on the available PCIe Slot.

(Note2) This section is dependent on the available LAN controller.

5-2-9 USB Configuration

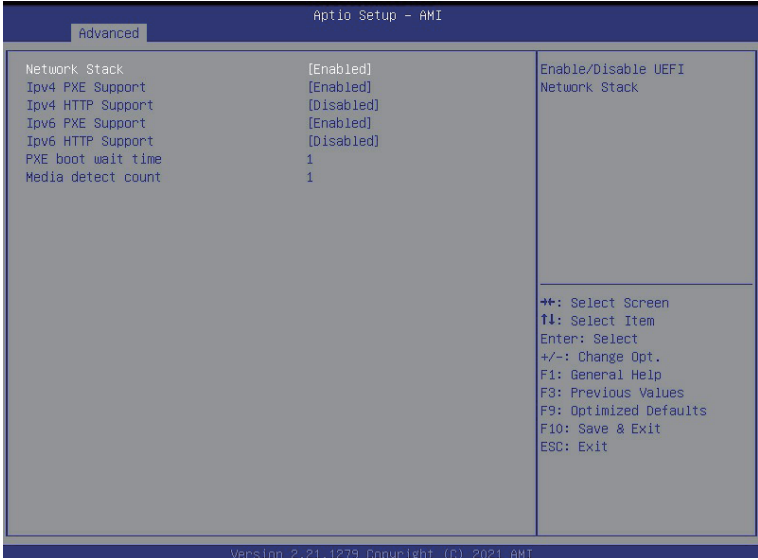


| Parameter | Description |
|---|---|
| USB Configuration | |
| USB Module Version | Displays the USB version. |
| USB Controllers | Displays the supported USB controllers. |
| USB Devices | Displays the USB devices connected to the system. |
| Legacy USB Support | Enable/disable the Legacy USB support function. AUTO option disables legacy support if no USB devices are connected. DISABLE option will keep USB devices available only for EFI applications. Options available: Auto/Enabled/Disabled. Default setting is Enabled . |
| XHCI Hand-off | Enable/Disable the XHCI (USB 3.0) Hand-off support. Options available: Enabled/Disabled. Default setting is Enabled . |
| USB Mass Storage Driver Support ^(Note) | Enable/Disable the USB Mass Storage Driver Support. Options available: Enabled/Disabled. Default setting is Enabled . |
| USB hardware delays and time-outs | |
| USB transfer time-out | The time-out value for Control, Bulk, and Interrupt transfers. Options available: 1 sec/5 sec/10 sec/20 sec. Default setting is 20 sec . |
| USB resetr time-out | Options available: 1 sec/5 sec/10 sec/20 sec. Default setting is 20 sec . |

(Note) This item is present only if you attach USB devices.

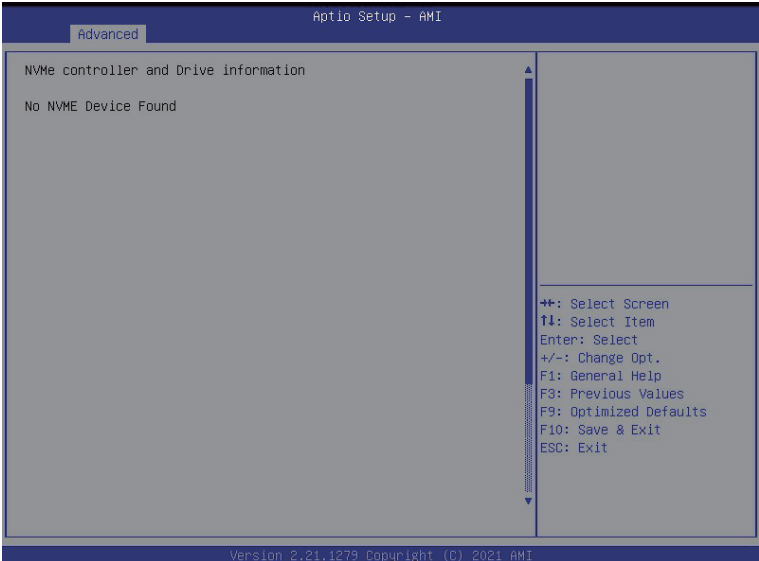
| Parameter | Description |
|---|--|
| Device reset time-out | USB mass storage device Start Unit command time-out. Options available: 10 sec/20 sec/30 sec/40 sec. Default setting is 20 sec. |
| Device power-up delay | Maximum time the device will take before it properly reports itself to the Host Controller. "Auto" uses default value: for a Root port it is 100 ms, for a Hub port the delay is taken from Hub descriptor. Options available: Auto/Manual. Default setting is Auto. |
| Mass Storage Devices | |
| AMI Virtual CDROM0 1.00 / AMI HDisk0 1.00 / Generic Flash Disk 8.07 / ADATA USB Flash Drive 1100 | Mass storage device emulation type. AUTO enumerates devices according to their media format. Optical drives are emulated as CDROM, drives with no media will be emulated according to a drive type. Options available: Auto/Floppy/Forced FDD/Hard Disk/CD-ROM. Default setting is Auto. |

5-2-10 Network Stack Configuration



| Parameter | Description |
|--------------------|--|
| Network Stack | Enable/Disable the UEFI network stack. Options available: Enabled/Disabled. Default setting is Enabled . |
| Ipv4 PXE Support | Enable/Disable the Ipv4 PXE feature. Options available: Enabled/Disabled. Default setting is Enabled . |
| Ipv4 HTTP Support | Enable/Disable the Ipv4 HTTP feature. Options available: Enabled/Disabled. Default setting is Disabled . |
| Ipv6 PXE Support | Enable/Disable the Ipv6 PXE feature. Options available: Enabled/Disabled. Default setting is Enabled . |
| Ipv6 HTTP Support | Enable/Disable the Ipv6 HTTP feature. Options available: Enabled/Disabled. Default setting is Disabled . |
| PXE boot wait time | Wait time in seconds to press ESC key to abort the PXE boot. Press the <+> / <-> keys to increase or decrease the desired values. |
| Media detect count | Number of times the presence of media will be checked. Press the <+> / <-> keys to increase or decrease the desired values. |

5-2-11 NVMe Configuration



| Parameter | Description |
|--------------------|---|
| NVMe Configuration | Displays the NVMe devices connected to the system |

5-2-12 SATA Configuration



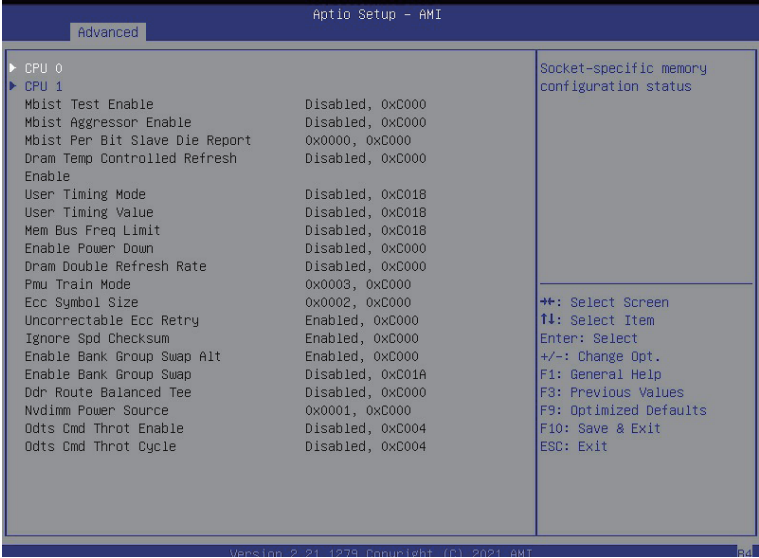
| Parameter | Description |
|--------------------|--|
| SATA Configuration | Displays the installed HDD devices information. System will automatically detect HDD type. |

5-2-13 UEFI POST LOGO Configuration



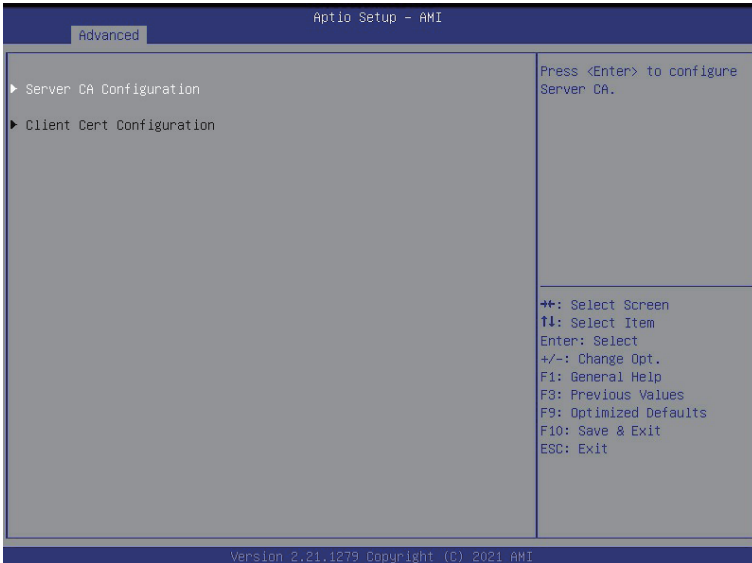
| Parameter | Description |
|--------------------|--|
| UEFI Configuration | |
| Output Device Type | Select output device. Options available: First loaded Device, Onboard Device, External Device, Specific Device. Default setting is Onboard Device . |

5-2-14 AMD Mem Configuration Status



| Parameter | Description |
|-----------|---|
| CPU0/1 | Press [Enter] to view the memory configuration status related to CPU 0/1. |

5-2-15 Tls Auth Configuration



| Parameter | Description |
|---------------------------|---|
| Server CA Configuration | <p>Press [Enter] for configuration of advanced items.</p> <ul style="list-style-type: none"> ◆ Enroll Cert <ul style="list-style-type: none"> – Press [Enter] to enroll a certificate <ul style="list-style-type: none"> • Enroll Cert Using File • Cert GUID <ul style="list-style-type: none"> Input digit character in 1111111-2222-3333-4444-1234567890ab format. – Commit Changes and Exit – Discard Changes and Exit ◆ Delete Cert |
| Client Cert Configuration | <p>Press [Enter] for configuration of advanced items.</p> |

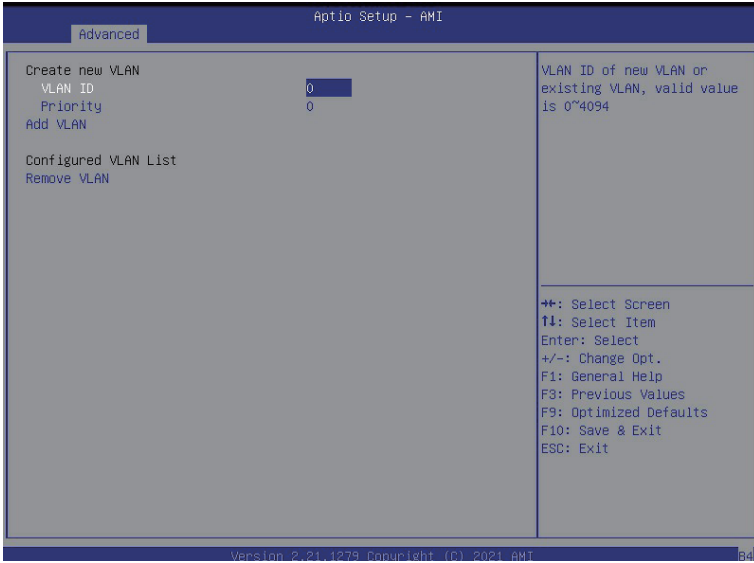
5-2-16 Intel(R) Ethernet Controller X550

| Advanced | | Aptio Setup - AMI | |
|---------------------|--------------------------------------|--|--|
| ▶ NIC Configuration | | Click to configure the network device port. | |
| Blink LEDs | 0 | | |
| UEFI Driver | Intel(R) 10GbE Driver 7.2.10 x64 | | |
| Adapter PBA | 000000-000 | | |
| Device Name | Intel(R) Ethernet Controller X550 | | |
| Chip Type | Intel X550 | | |
| PCI Device ID | 1563 | | |
| PCI Address | 62:00:00 | | |
| Link Status | [Connected] | ⇧+: Select Screen ⇩: Select Item Enter: Select +/-: Change Opt. F1: General Help F3: Previous Values F9: Optimized Defaults F10: Save & Exit ESC: Exit | |
| MAC Address | B4:2E:99:BE:92:1F | | |
| Virtual MAC Address | 00:00:00:00:00:00 | | |
| | | Version: 2.21.1279 Copyright (C) 2021 AMI | |

| Advanced | | Aptio Setup - AMI | |
|-------------|-------------------|---|--|
| Link Speed | [Auto Negotiated] | Enables power on of the system via LAN. Note that configuring Wake on LAN in the operating system does not change the value of this setting, but does override the behavior of Wake on LAN in OS controlled power states. | |
| Wake On LAN | [Enabled] | | |
| | | ⇧+: Select Screen ⇩: Select Item Enter: Select +/-: Change Opt. F1: General Help F3: Previous Values F9: Optimized Defaults F10: Save & Exit ESC: Exit | |
| | | Version: 2.21.1279 Copyright (C) 2021 AMI | |

| Parameter | Description |
|---------------------------|--|
| Firmware Image Properties | Press [Enter] to configure advanced items. |
| NIC Configuration | <p>Press [Enter] to configure advanced items.</p> <ul style="list-style-type: none"> ◆ Link Speed <ul style="list-style-type: none"> – Allows for automatic link speed adjustment. – Options available: Auto Negotiated, 10 Mbps Half, 10 Mbps Full, 100 Mbps Half, 100 Mbps Full. Default setting is Auto Negotiated. ◆ Wake On LAN <ul style="list-style-type: none"> – Enables power on of the system via LAN. Note that configuring Wake on LAN in the operating system does not change the value of this setting, but does override the behavior of Wake on LAN in OS controlled power states. – Options available: Enabled/Disabled. Default setting is Enabled. |
| Blink LEDs | Identifies the physical network port by blinking the associated LED. Press the numeric keys to adjust desired values. |
| UEFI Driver | Displays the technical specifications for the Network Interface Controller. |
| Adapter PBA | Displays the technical specifications for the Network Interface Controller. |
| Device Name | Displays the technical specifications for the Network Interface Controller. |
| Chip Type | Displays the technical specifications for the Network Interface Controller. |
| PCI Device ID | Displays the technical specifications for the Network Interface Controller. |
| PCI Address | Displays the technical specifications for the Network Interface Controller. |
| Link Status | Displays the technical specifications for the Network Interface Controller. |
| MAC Address | Displays the technical specifications for the Network Interface Controller. |
| Virtual MAC Address | Displays the technical specifications for the Network Interface Controller. |

5-2-17 VLAN Configuration



| Parameter | Description |
|--------------------------|---|
| Enter Configuration Menu | <p>Press [Enter] to configure advanced items.</p> <ul style="list-style-type: none"> ◆ Create new VLAN ◆ VLAN ID <ul style="list-style-type: none"> – Sets VLAN ID for a new VLAN or an existing VLAN. – Press the <+> / <-> keys to increase or decrease the desired values. – The valid range is from 0 to 4094. ◆ Priority <ul style="list-style-type: none"> – Sets 802.1Q Priority for a new VLAN or an existing VLAN. – Press the <+> / <-> keys to increase or decrease the desired values. – The valid range is from 0 to 7. ◆ Add VLAN <ul style="list-style-type: none"> – Press [Enter] to create a new VLAN or update an existing VLAN. ◆ Configured VLAN List ◆ Remove VLAN <ul style="list-style-type: none"> – Press [Enter] to remove an existing VLAN. |

5-2-18 MAC IPv4 Network Configuration



| Parameter | Description |
|-------------------------------------|---|
| Configured | Indicates whether network address is configured successfully or not. Options available: Enabled/Disabled. Default setting is Disabled . |
| Enable DHCP ^(Note) | Options available: Enabled/Disabled. Default setting is Enabled . |
| Local IP Address ^(Note) | Press [Enter] to configure local IP address. |
| Local NetMask ^(Note) | Press [Enter] to configure local NetMask. |
| Local Gateway ^(Note) | Press [Enter] to configure local Gateway |
| Local DNS Servers ^(Note) | Press [Enter] to configure local DNS servers |
| Save Changes and Exit | Press [Enter] to save all configurations. |

(Note) This item appears when **Configured** is set to **Enabled**.

5-2-19 MAC IPv6 Network Configuration



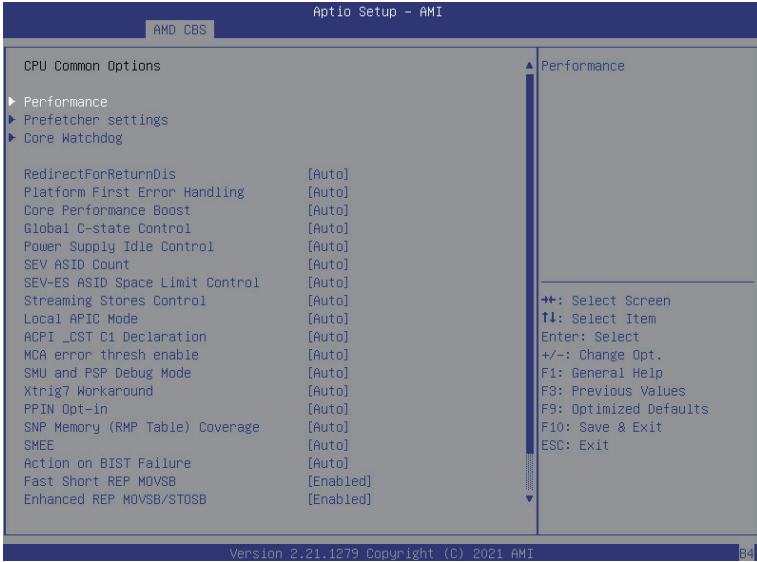
| Parameter | Description |
|--------------------------|--|
| Enter Configuration Menu | <p>Press [Enter] to configure advanced items.</p> <ul style="list-style-type: none"> ◆ Displays the MAC Address information. ◆ Interface ID <ul style="list-style-type: none"> – The 64 bit alternative interface ID for the device. The string is colon separated. e.g. ff:dd:88:66:cc:1:2:3. ◆ DAD Transmit Count <ul style="list-style-type: none"> – The number of consecutive Neighbor solicitation messages sent while performing Duplicate Address Detection on a tentative address. A value of zero indicates that Duplicate Address Detection is not performed. ◆ Policy <ul style="list-style-type: none"> – Options available: automatic/manual. Default setting is automatic. ◆ Save Changes and Exit <ul style="list-style-type: none"> – Press [Enter] to save all configurations. |

5-3 AMD CBS Menu

AMD CBS menu displays submenu options for configuring the CPU-related information that the BIOS automatically sets. Select a submenu item, then press [Enter] to access the related submenu screen.



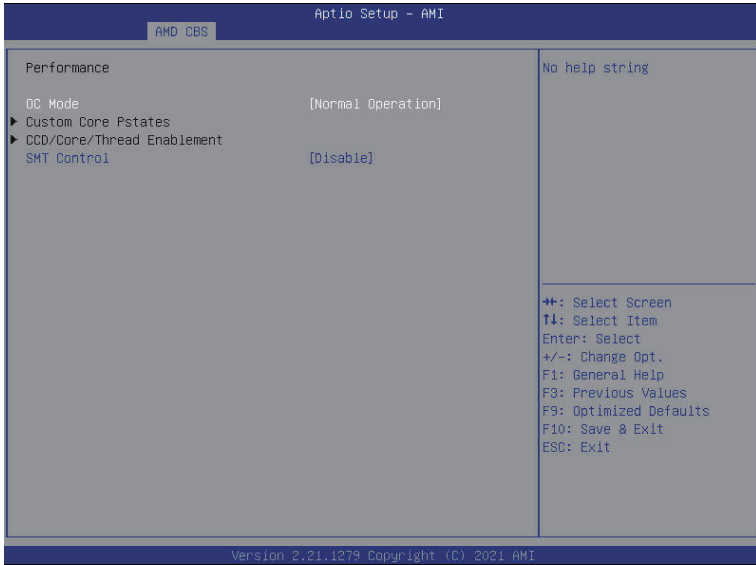
5-3-1 CPU Common Options



| Parameter | Description |
|-------------------------------|--|
| CPU Common Options | |
| Performance | Press [Enter] for configuration of advanced items. |
| Prefetcher settings | Press [Enter] for configuration of advanced items. |
| Core Watchdog | Press [Enter] for configuration of advanced items. |
| RedirectForReturnDis | From a workaround for GCC/C000005 issue for XV Core on CZ A0, setting MSRC001_1029 Decode Configuration (DE_CFG) bit 14 [DecfgNoRdrcForReturns] to 1. Options available: Auto, 1, 0. Default setting is Auto . |
| Platform First Error Handling | Enable/Disable PFEH, cloak individual banks, and mask deferred error interrupts from each bank. Options available: Auto, Enabled, Disabled. Default setting is Auto . |
| Core Performance Boost | Enable/Disable the Core Performance Boost function. Options available: Auto/Disabled. Default setting is Auto . |
| Global C-State Control | Controls the IO based C-state generation and DF C-states. Options available: Auto, Enabled, Disabled. Default setting is Auto . |
| Power Supply Idle Control | Configures the Power Supply Idle Control. Options available: Auto, Low Current Idle, Typical Current Idle. Default setting is Auto . |
| SEV ASID Count | Specifies the maximum valid ASID, which affects the maximum system physical address space. Options available: Auto, 253 ASIDs, 509 ASIDs. Default setting is Auto . |

| Parameter | Description |
|---------------------------------|---|
| SEV-ES ASID Space Limit Control | Space limit control for SEV-ES ASIDs. Options available: Auto/Manual. Default setting is Auto . |
| Streaming Stores Control | Enable/Disable the Streaming Stores functionality. Options available: Auto, Enabled, Disabled. Default setting is Auto . |
| Local APIC Mode | Sets the Local APIC Mode. Options available: Auto, xAPIC, x2APIC. Default setting is Auto . |
| ACPI_CST C1 Decaration | Determines whether or not to declare the C1 state to the OS.. Options available: Auto, Enabled, Disabled. Default setting is Auto . |
| MCA error thresh enable | Enable MCA error thresholding. Options available: Auto, False, True. Default setting is Auto . |
| SMU and PSP Debug Mode | When this option is enabled, specific uncorrected errors detected by the PSP FW or SMU FW will hand and not reset the system. Options available: Auto, Enabled, Disabled. Default setting is Auto . |
| Xtrig7 Workaround | Options available: Auto, No Workaround, Bronze Workaround, Sliver Workaround. Default setting is Auto . |
| PPIN Opt-in | Enable/Disable the PPIN feature. Options available: Auto, Enabled, Disabled. Default setting is Auto . |
| SNP Memory (RMP Table) Coverage | Enabled: Enter system memory is covered. Options available: Auto, Enabled, Disabled, Custom. Default setting is Auto . |
| SMEE | Control secure memory encryption enable. Options available: Auto, Enabled, Disabled. Default setting is Auto . |
| Action on BIST Failure | Action to take when a CCD BIST failure is detected. Options available: Auto, Do nothing, Down-CCD. Default setting is Auto . |
| Fast Short REP MOVSB | Default is 1, cab be set to zero for analysis purpose as long as OS supports it. Options available: Enabled, Disabled. Default setting is Enabled . |
| Enhanced REP MOVSB/ STOSB | Default is 1, cab be set to zero for analysis purpose as long as OS supports it. Options available: Enabled, Disabled. Default setting is Enabled . |
| REP-MOV/STOS Steaming | Allows REP-MOV/STOS to use non-caching streaming stores for large sizes. Options available: Enabled, Disabled. Default setting is Enabled . |
| X3D | Override of X3D technology. Options available: Auto, Disable, 1 stack, 2 stack, 4 stack. Default setting is Auto . |
| IBS hardware work around | Set if using IBS execution sampling without software workaround for erratum 1,285. May impac performance.. Options available: Enabled, Auto. Default setting is Enabled . |

5-3-1-1 Performance



| Parameter | Description |
|----------------------------|--|
| Performance | |
| OC Mode ^(Note1) | Option Available: Normal Operation, Customized Default setting is Normal Operation . |
| Custom Core Pstates | Allows you to accept or decline enabling Custom Core Pstates. When accepted, you can disable or customize core pstates. |
| CCD/Core/Thread Enablement | Allows you to accept or decline enabling CCDs, processor cores and threads. When accepted, you can control the number of CCDs to be used, the number of cores to be used, and whether to enable or disable Simultaneous Multithreading Technology (SMT) support. |
| SMT Control | Can be used to disable symmetric multithreading. To re-enable SMT, a Power CYCLE is needed after select the 'Enable' option. Select 'Auto' base on BIOS PCD. (PcdAmdSmtMode) default setting. Option Available: Enable, Disable. Default setting is Disable . |

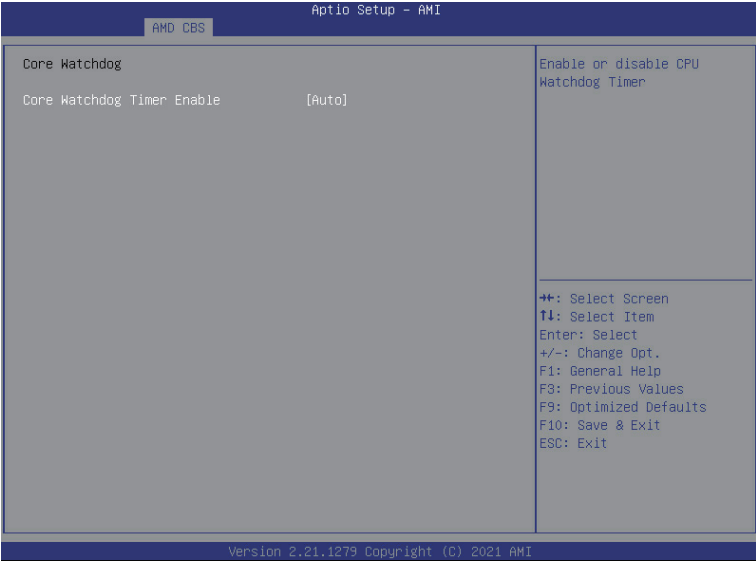
(Note1) Advanced items are configurable when this item is defined.

5-3-1-2 Prefetcher Settings



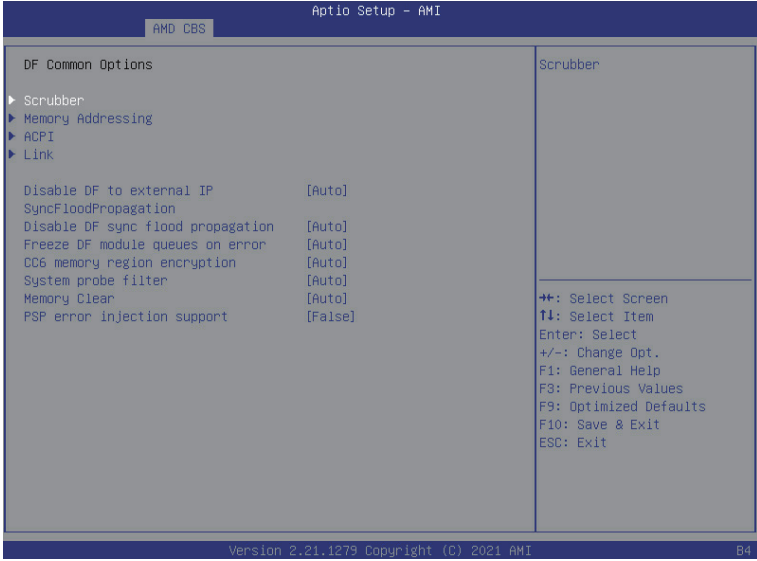
| Parameter | Description |
|-------------------------|---|
| Prefetcher settings | |
| L1 Stream HW Prefetcher | Enable/Disable L1 Stream HW Prefetcher. Options available: Auto, Enable, Disabled. Default setting is Enable . |
| L1 Stride Prefetcher | Use memory access history of individual instruction to fetch additional lines Enable/Disable L1 Stream HW Prefetcher. Options available: Auto, Enable, Disable. Default setting is Auto . |
| L1 Region Prefetcher | Use memory access history to fetch additional lines when the data access for a given instruction tends to be followed by other data accesses. Options available: Auto, Enable, Disabled. Default setting is Enable . |
| L2 Stream HW Prefetcher | Enable/Disable L2 Stream HW Prefetcher. Options available: Auto, Enable, Disabled. Default setting is Enable . |
| L2 Up/Down Prefetcher | Use memory access history to determine whether to fetch the next or previous line for all memory accesses. . Options available: Auto, Enable, Disabled. Default setting is Auto . |

5-3-1-3 Core Watchdog



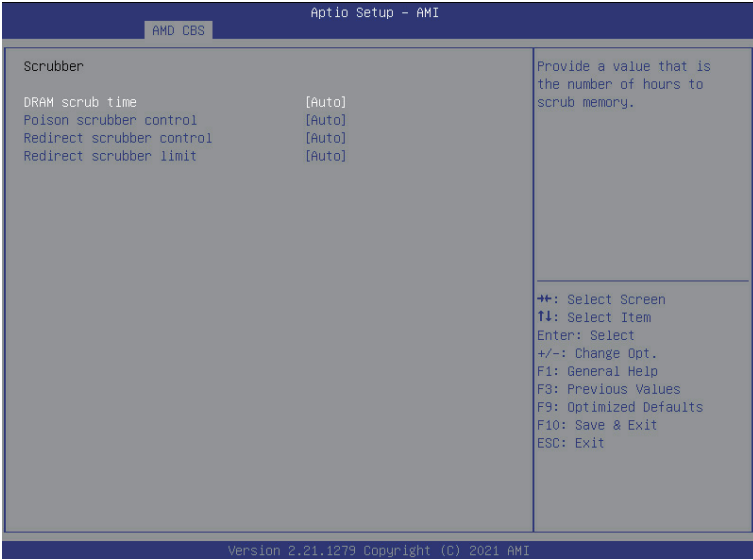
| Parameter | Description |
|----------------------------|--|
| Core Watchdog | |
| Core Watchdog Timer Enable | Enable/Disable CPU Watchdog Timer. Options available: Auto, Enabled, Disabled. Default setting is Auto . |

5-3-2 DF Common Options



| Parameter | Description |
|---|---|
| DF Common Options | |
| Scrubber | Press [Enter] for configuration of advanced items. |
| Memory Addressing | Press [Enter] for configuration of advanced items. |
| ACPI | Press [Enter] for configuration of advanced items. |
| Link | Press [Enter] for configuration of advanced items. |
| Disable DF to external IP sync flood propagation | Enable/Disable SyncFlood to UMC & downstream slaves. Options available: Auto, Sync flood disabled, Sync flood enabled. Default setting is Auto . |
| Disable DF sync flood propagation | Enable/Disable DF Sync Flood propagation. Options available: Auto, Sync flood disabled, Sync flood enabled. Default setting is Auto . |
| Freeze DF module queues on error | Options available: Auto, Enabled, Disabled. Default setting is Auto . |
| CC6 memory region encryption | Controls whether or not the CC6 save/restor memory is encrypted. Options available: Auto, Enabled, Disabled. Default setting is Auto . |
| System probe filter | Enable/Disable System probe filter. Options available: Auto, Enabled, Disabled. Default setting is Auto . |
| Memory Clear | Enable/Disable the Memory Clear feature. Options available: Auto, Enabled, Disabled. Default setting is Auto . |
| PSP error injection support | Enable/Disable PSP error injection support. Options available: False/True. Default setting is False . |

5-3-2-1 Scrubber



| Parameter | Description |
|---------------------------|---|
| Scrubber | |
| DRAM scrub time | Provide a value that is the number of hours to scrub memory. Options available: Auto, Disabled, 1 hour, 4 hours, 8 hours, 16 hours, 24 hours, 48 hours. Default setting is Auto . |
| Poison scrubber control | Enable/Disable the Poison scrubber control feature. Options available: Auto, Enabled, Disabled. Default setting is Auto . |
| Redirect scrubber control | Enable/Disable the Redirect scrubber control feature. Options available: Auto, Enabled, Disabled. Default setting is Auto . |
| Redirect scrubber limit | Sets the redirect scrubber limit. Options available: Auto, 2, 4, 8, Infinite. Default setting is Auto . |

5-3-2-2 Memory Addressing



| Parameter | Description |
|------------------------------------|--|
| Memory Addressing | |
| NUMA nodes per socket | Specifies the number of desired NUMA nodes per socket. Options available: Auto, NPS0, NPS1, NPS2, NPS4. Default setting is NPS4 . |
| Memory inerleaving | Enable/Disable the Memory interleaving feature. Options available: Auto/Disabled. Default setting is Auto . |
| Memory interleaving size | Controls the memory interleaving size. This determines the starting address of the interleave (bit 8, 9, 10 or 11). Options available: Auto, 256Bytes, 512Bytes, 1KB, 2KB. Default setting is Auto . |
| 1TB remap | Enable/Disable to remap DRAM out of the space just below the 1TB boundary. The ability to remap depends on DRAM configuration, NPS, and interleaving selection, and may not always be possible. Options available: Auto, Do not remap, Attempt to remap. Default setting is Auto . |
| DRAM map inversion | Enable/Disable the DRAM map inversion function. Options available: Auto, Enabled, Disabled. Default setting is Auto . |
| Location of private memory regions | Control whether or not the rprivate memory regions (PSP, SMU, and CC6) are at the top of DRAM or distributed. Note that distributed requires memory on all dies. Note that it will always be at the top of DRAM if some dies don't have memory regardless of this. Options available: Auto, Distributed, Consolidated. Default setting is Auto . |

5-3-2-3 ACPI



| Parameter | Description |
|------------------------------------|--|
| ACPI | |
| ACPI SRAT L3 Cache As NUMA Domain | Enable/Disable the ACPI SRAT L3 Cache As NUMA Domain function. Options available: Auto, Enabled, Disabled. Default setting is Auto . |
| ACPI SLIT Distance Control | Determines how the SLIT distances are declared. Options available: Auto/Manual. Default setting is Auto . |
| ACPI SLIT remote relative distance | Sets the remote socket distance for 2P systems as near (2.8) or far (3.2). Options available: Auto, Near, Far. Default setting is Auto . |

5-3-2-4 Link



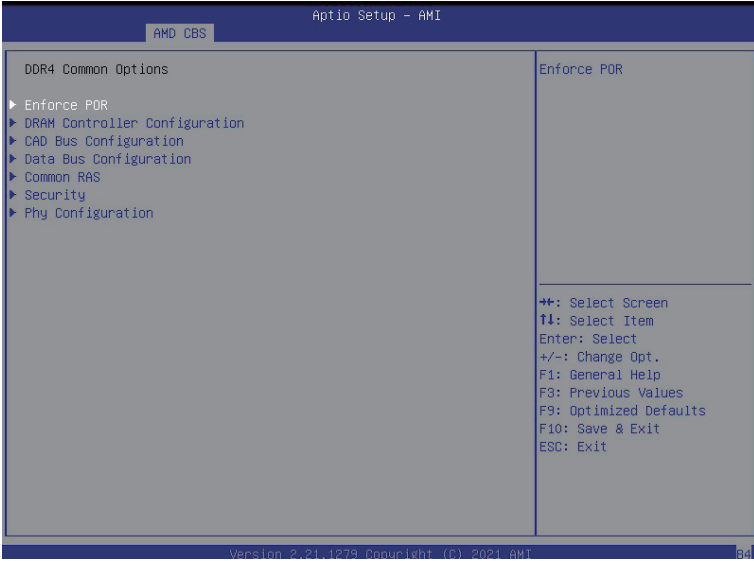
| Parameter | Description |
|------------------------------|--|
| Link | |
| GMI encryption control | Enable/Disable GMI link encryption. Options available: Auto, Enabled, Disabled. Default setting is Auto . |
| xGMI encryption control | Enable/Disable xGMI link encryption. Options available: Auto, Enabled, Disabled. Default setting is Auto . |
| CAKE CRC perf bounds Control | Options available: Auto/Manual. Default setting is Auto . |
| 4-link xGMI max speed | Specifies the max speed of 4-link xGMI. Options available: Auto, 10.667Gbps, 13Gbps, 16Gbps, 18Gbps. Default setting is 10.667Gbps . |
| 3-link xGMI max speed | Specifies the max speed of 3-link xGMI. Options available: Auto, 10.667Gbps, 13Gbps, 16Gbps, 18Gbps. Default setting is 10.667Gbps . |
| xGMI TXEQ Mode | Configures xGMI TXEQ/RX vetting Mode. Options available: Auto, TXEQ_Disabled, TXEQ_Lane, TXEQ_Link, TXEQ_RX_Vet. Default setting is 10.667Gbps . |
| xGMI 18GACOFC | Configures xGMI 18GACOFC. Options available: Auto, Enable, Disable. Default setting is Auto . |

5-3-3 UMC Common Options



| Parameter | Description |
|---------------------|--|
| UMC Common Options | |
| DDR4 Common Options | Press [Enter] for configuration of advanced items. |
| DRAM Memory Mapping | Press [Enter] for configuration of advanced items. |
| NVDIMM | Press [Enter] for configuration of advanced items. |
| Memory MBIST | Press [Enter] for configuration of advanced items. |

5-3-3-1 DDR4 Common Options



| Parameter | Description |
|-------------------------------|--|
| DDR4 Common Options | |
| Enforce POR | Press [Enter] to configure the Plan of Record (POR) to enable / disable restrictions for DDR4 frequency and voltage programming. Memory speeds will be capped at AMD guidelines. Note: To enable 2 DIMMs per Channel at 3200MHz function, select [Accept] at warning message, change Overclock from [Auto] to [Enabled], and then set memory speed to 3200MHz. |
| DRAM Controller Configuration | Press [Enter] to configure DRAM Controller Configuration. |
| CAD Bus Configuration | Press [Enter] to configure CAD Bus Configuration. |
| Data Bus Configuration | Press [Enter] to configure Data Bus Configuration. |
| Common RAS | Press [Enter] to configure Common RAS. |
| Security | Press [Enter] to configure Security. |
| Phy Configuration | Press [Enter] to configure Security. |

5-3-3-1-1 DRAM Controller Configuration



| Parameter | Description |
|-------------------------------|--|
| DRAM Controller Configuration | |
| DRAM Power Options | <p>Press [Enter] to configure DRAM Power Options.</p> <ul style="list-style-type: none"> ◆ Power Down Enable <ul style="list-style-type: none"> – Enable/Disable DDR power down mode. – Options available: Auto, Enabled, Disabled. Default setting is Auto. ◆ Power Down Entry Delay ◆ SubUrgRefLowerBound ◆ UrgRefLimit ◆ DRAM Maximum Activate Count <ul style="list-style-type: none"> – Options available: Auto, Unlimited MC, 200K,300K, 400K, 500K, 600K, 700K. Default setting is Auto. ◆ DRAM Refresh Rate <ul style="list-style-type: none"> – Options available: 7.8 usec, 3.9 usec. Default setting is 7.8 usec. ◆ Self-Refresh Exit Staggering <ul style="list-style-type: none"> – Options available: Disabled, Trfc/3, Trfc/4. Default setting is Disabled. |
| Cmd2T | <p>Selects the Cmd2T mode on ADDR/CMD.</p> <p>Options available: Auto, 1T, 2T. Default setting is Auto.</p> |
| Gear Down Mode | <p>Enable/Disable the Gear Down Mode function.</p> <p>Options available: Auto, Enabled, Disabled. Default setting is Auto.</p> |

5-3-3-1-2 CAD Bus Configuration



| Parameter | Description |
|--------------------------------------|--|
| CAD Bus Configuration | |
| CAD Bus Timing User Controls | Setup time on CAD bus signals to Auto or Manual. Options available: Auto/Manual. Default setting is Auto . |
| CAD Bus Drive Strength User Controls | Drive Strength on CAD bus signals to Auto or Manual. Options available: Auto/Manual. Default setting is Auto . |

5-3-3-1-3 Data Bus Configuration



| Parameter | Description |
|--------------------------------------|---|
| Data Bus Configuration | |
| Data Bus Configuration User Controls | Specifies the mode for drive strength to Auto or Manual. Options available: Auto/Manual. Default setting is Auto . |

5-3-3-1-4 Common RAS



| Parameter | Description |
|---------------------------------------|--|
| Common RAS | |
| Data Poisoning | Enable/Disable the Data Poisoning function. Options available: Auto, Enabled, Disabled. Default setting is Auto . |
| DRAM Post Package Repair | Enable/Disable the DRAM Post Package Repair function. Options available: Enabled/Disabled. Default setting is Auto . |
| RCD Parity | Enable/Disable the RCD Parity function. Options available: Auto, Enabled, Disabled. Default setting is Auto . |
| DRAM Address Command Parity Retry | Enable/Disable the DRAM Address Command Parity Retry function. Options available: Auto, Enabled, Disabled. Default setting is Auto . |
| Max Parity Error Replay | Configures the Max Parity Error Replay. (0~0x3f) Default setting is 8 . Please note that this item is configurable when DRAM Address Command Parity Retry is set to Enabled. |
| Write CRC Enable | Enable/Disable the Write CRC function. Options available: Auto, Enabled, Disabled. Default setting is Auto . |
| DRAM Write CRC Enable and Retry Limit | Enable/Disable DRAM Write CRC Enable and Retry Limit. Options available: Auto, Enabled, Disabled. Default setting is Auto . Configures the Max Write CRC Error Replay. (0~0x3f) |
| Max Write CRC Error Replay | Default setting is 8 . Please note that this item is configurable when DRAM Write CRC Enable and Retry Limit is set to Enabled. |

| Parameter | Description |
|--------------------------------|---|
| Disable Memory Error Injection | Options available: False/True. Default setting is True . |
| ECC Configuration | <p data-bbox="396 189 732 213">Press [Enter] to configure advanced items.</p> <ul style="list-style-type: none"> <li data-bbox="396 221 954 299">◆ DRAM ECC Symbol Size <ul style="list-style-type: none"> <li data-bbox="434 247 783 271">– Configures the DRAM ECC Symbol Size. <li data-bbox="434 275 924 299">– Options available: Auto, x4, x8, x16. Default setting is Auto. <li data-bbox="396 307 954 417">◆ DRAM ECC Enable <ul style="list-style-type: none"> <li data-bbox="434 333 940 388">– Enable/Disable DRAM ECC. When set to Auto, it will set ECC to enable. <li data-bbox="434 393 954 448">– Options available: Auto, Enabled, Disabled. Default setting is Auto. <li data-bbox="396 456 954 561">◆ DRAM UECC Retry <ul style="list-style-type: none"> <li data-bbox="434 482 740 506">– Enable/Disable DRAM UECC Retry. <li data-bbox="434 511 954 561">– Options available: Auto, Enabled, Disabled. Default setting is Auto. |

5-3-3-1-5 Security



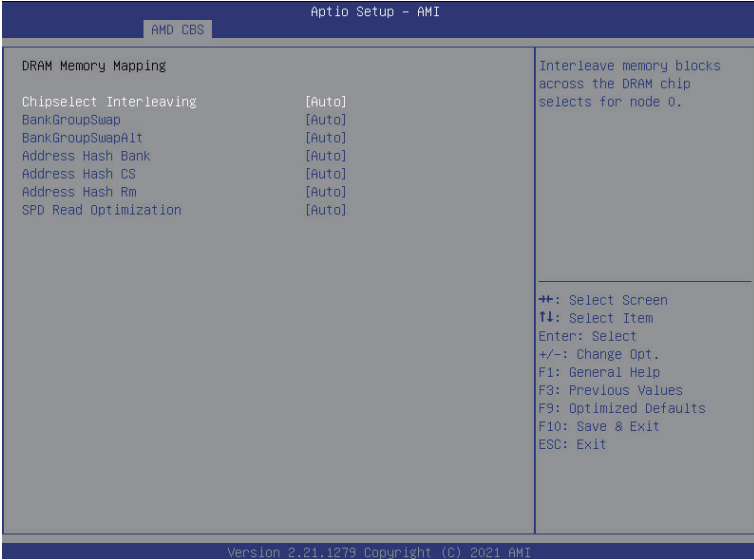
| Parameter | Description |
|---------------|---|
| Security | |
| TSME | Enable/Disable Transparent SME. Options available: Auto, Enabled, Disabled. Default setting is Auto . |
| Data Scramble | Enable/Disable Data Scrambling. Options available: Auto, Enabled, Disabled. Default setting is Auto . |

5-3-3-1-6 Phy Configuration



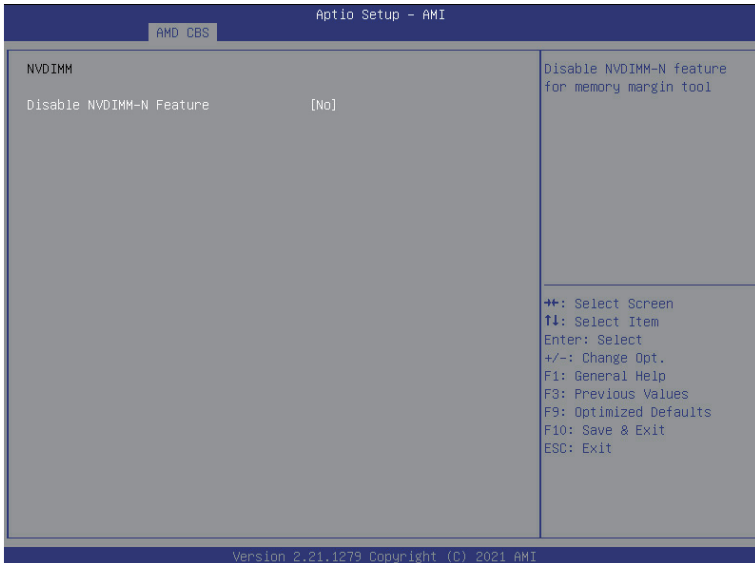
| Parameter | Description |
|-------------------|--|
| Phy Configuration | |
| PMU Training | <p>Press [Enter] to configure PMU Training.</p> <ul style="list-style-type: none"> ◆ DFE Traing <ul style="list-style-type: none"> – Enable/Disable DDR power down mode. – Options available: Auto, Enabled, Disabled. Default setting is Auto. ◆ FFE Write Training <ul style="list-style-type: none"> – Auto, Enabled, Disabled. Default setting is Auto. ◆ PMU Pattern Bits Controls <ul style="list-style-type: none"> – Auto, Manual. Default setting is Auto. |

5-3-3-2 DRAM Memory Mapping



| Parameter | Description |
|-------------------------|---|
| DRAM Memory Mapping | |
| Chipselect Interleaving | Interleave memory blocks across the DRAM chip selects for CPU 0. Options available: Auto/Disabled. Default setting is Auto . |
| BankGroupSwap | Configures the BankGroupSwap. BankGroupSwap (BGS) is a new memory mapping option in AGESA that alters how applications get assigned to physical locations within the memory modules. When this option sets to Auto, it is null: No help string. Options available: Auto, Enabled, Disabled. Default setting is Auto . |
| BankGroupSwapAlt | Configures the BankGroupSwapAlt. Options available: Auto, Enabled, Disabled. Default setting is Auto . |
| Address Hash Bank | Enable/Disable bank address hashing. Options available: Auto, Enabled, Disabled. Default setting is Auto . |
| Address Hash CS | Enable/Disable CS address hashing. Options available: Auto, Enabled, Disabled. Default setting is Auto |
| Address Hash Rm | Enable/Disable RM address hashing. Options available: Auto, Enabled, Disabled. Default setting is Auto |
| SPD Read Optimization | Enable/Disable SPD Read Optimization. Options available: Auto, Enabled, Disabled. Default setting is Auto |

5-3-3-3 NVDIMM



| Parameter | Description |
|-----------|--|
| NVDIMM | Disable NVDIMM-N feature for memory margin tool. Options available: No, Yes. Default setting is No . |

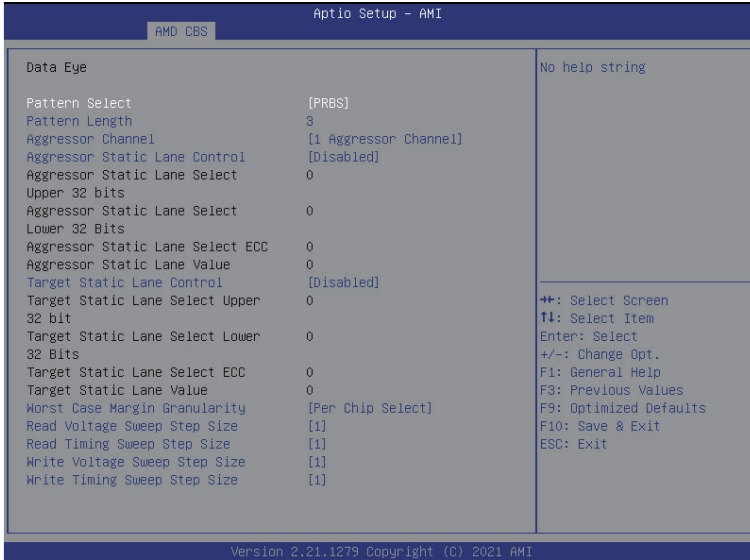
5-3-3-4 Memory MBIST



| Parameter | Description |
|---|--|
| Memory MBIST | |
| MBIST Enable | Enable/Disable the Memory MBIST function. Options available: Enabled/Disabled. Default setting is Disabled . |
| MBIST Test Mode ^(Note) | Selects MBIST Test Mode. Interface Mode: Tests Single and Multiple CS transactions and Basic Connectivity. Data Eye Mode: Measures Voltage vs. Timing. Options available: Auto, Both, Interface Mode, Data Eye Mode. Default setting is Auto . |
| MBIST Aggressors ^(Note) | Enable/Disable MBIST Aggressor test. Options available: Auto, Enabled, Disabled. Default setting is Auto . |
| MBIST Per Bit Slave Die Reporting ^(Note) | Enable/Disable to report 2D data eye results in ABL log for each DQ, Chipselect, and Channel. Options available: Auto, Enabled, Disabled. Default setting is Auto . |
| Data Eye | Press [Enter] to configure advanced items. |
| Memory Healing BIST | Enable/Disable memory healing BIST. Options available: Auto, Enabled, Disabled. Default setting is Disabled . |

(Note) This item appears when **MBIST Enable** is set to **Enabled**.

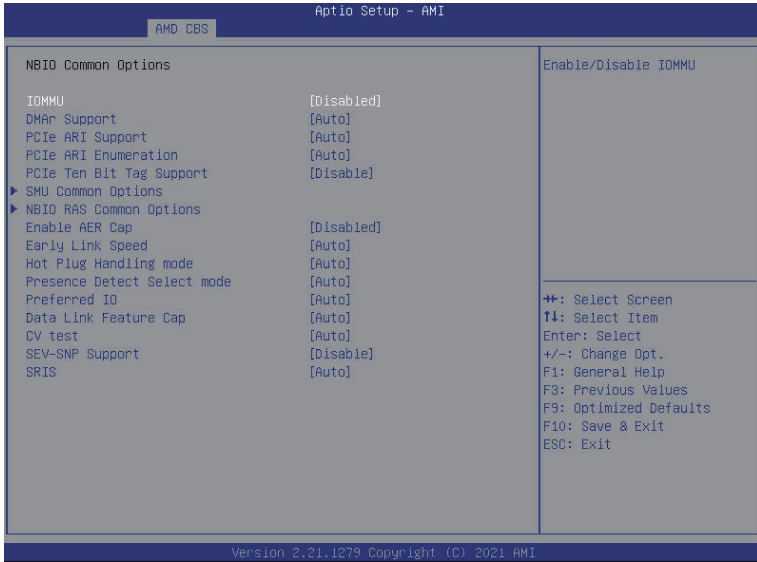
5-3-3-4-1 Data Eye



| Parameter | Description |
|--|--|
| Data Eye | |
| Pattern Select | Options available: PRBS, SSO, Both. Default setting is PRBS . |
| Pattern Length | Determines the pattern length. The possible options are N=3....12. |
| Aggressor Channel | This item helps read the aggressors channels. Options available: Disabled, 1 Aggressor Channel, 3 Aggressor Channels, 7 Aggressor Channels. Default setting is 1 Aggressor Channel . |
| Aggressor Static Lane Control | Enable/Disable the Aggressor Static Lane Control function. Options available: Enabled/Disabled. Default setting is Disabled . |
| Aggressor Static Lane Select Upper 32 bits | This item is configurable when Aggressor Static Lane Control is set to Enabled . |
| Aggressor Static Lane Select Lower 32 bits | This item is configurable when Aggressor Static Lane Control is set to Enabled . |
| Aggressor Static Lane Select ECC | This item is configurable when Aggressor Static Lane Control is set to Enabled . |
| Aggressor Static Lane Value | This item is configurable when Aggressor Static Lane Control is set to Enabled . |
| Target Static Lane Control | Enable/Disable the Target Static Lane Control function. Options available: Enabled/Disabled. Default setting is Disabled . |

| Parameter | Description |
|---|---|
| Target Static Lane Select Upper 32 bits | This item is configurable when Target Static Lane Control is set to Enabled . |
| Target Static Lane Select Lower 32 bits | This item is configurable when Target Static Lane Control is set to Enabled . |
| Target Static Lane Select ECC | This item is configurable when Target Static Lane Control is set to Enabled . |
| Target Static Lane Value | This item is configurable when Target Static Lane Control is set to Enabled . |
| Data Eye Type | This item determines which results are expected to be captured for Data Eye. Options available: 1D Voltage Sweep, 1D Timing Sweep, 2D Full Data Eye, Worst Case Margin Only. Default setting is Worst Case Margin Only . |
| Worst Case Margin Granularity | Configures Worst Case Margin Granularity. Options available: Per Chip Select, Per Nibble. Default setting is Worst Case Margin Only . |
| Read Voltage Sweep Step Size | Configures the step size for read Data Eye voltage sweep. Options available: 1, 2, 4. Default setting is 2 . |
| Read Timing Sweep Step Size | Configures the step size for read Data Eye timing sweep. Options available: 1, 2, 4. Default setting is 1 . |
| Write Voltage Sweep Step Size | Configures the step size for write Data Eye voltage sweep. Options available: 1, 2, 4. Default setting is 2 . |
| Write Timing Sweep Step Size | Configures the step size for write Data Eye timing sweep. Options available: 1, 2, 4. Default setting is 1 . |

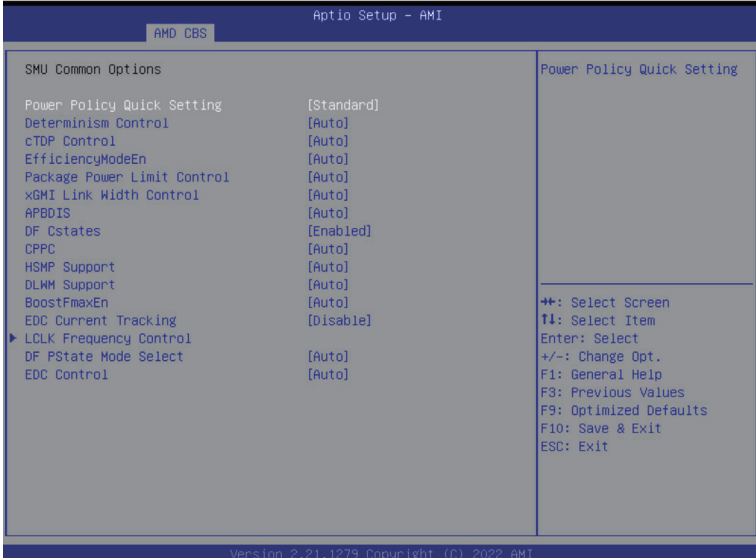
5-3-4 NBIO Common Options



| Parameter | Description |
|--------------------------|---|
| NBIO Common Options | |
| IOMMU | Enable/Disable the IOMMU function. Options available: Enabled/Disabled. Default setting is Disabled . |
| DMAr Support | Enable DMAr system protection during POST. Options available: Auto, Enabled/Disabled. Default setting is Auto . |
| PCIe ARI Support | Enable/Disable Alternative Routing-ID Interpretation. Options available: Auto, Enabled, Disabled. Default setting is Auto . |
| PCIe ARI Enumeration | ARI Forwarding Enable for each downstream port. Options available: Auto, Enabled, Disabled. Default setting is Auto . |
| PCIe Ten Bit Tag Support | Enable/Disable PCIe ten bit tags for supported devices. (Auto=Disabled) Options available: Auto, Enabled, Disabled. Default setting is Auto . |
| SMU Common Options | Press [Enter] for configuration of advanced items. |
| NBIO RAS Common Options | Press [Enter] for configuration of advanced items. |
| Enable AER Cap | Enable/Disable Advanced Error Reporting Capability. Options available: Auto, Enabled, Disabled. Default setting is Auto . |
| Early Link Speed | Configures Early Link Speed. Options available: Auto, Gen1, Gen2. Default setting is Auto . |

| Parameter | Description |
|-----------------------------|--|
| Hot Plug Handling mode | Controls the Hot Plug Handling mode. Options available: Auto, A0 Mode, OS First (No Error Handling), OS First (Error Handling-Not Implemented), Firmware First (Not Implemented). Default setting is Auto . |
| Presence Detect Select mode | Controls the Presence Detect Select mode. Options available: Auto, OR, AND. Default setting is Auto . |
| Preferred IO Device | Configures Preferred IO Device. Options available: Auto, Manual. Default setting is Auto . |
| Loopback Mode | Enabled/Disabled PCIe Loopback mode. Options available: Auto, Enabled, Disabled. Default setting is Auto . |
| CV test | Set this to Enabled to support running PCIECV tool. Auto: preserve hardware defaults. Options available: Auto, Enabled, Disabled. Default setting is Auto . |
| CAC Weight Adjustment | EDC Mode select. Options available: Auto, Enabled, Disabled. Default setting is Auto . |
| SEV-SNP Support | Options available: Enable, Disable. Default setting is Enable . |
| SRIS | Options available: Auto, Enable, Disable. Default setting is Auto . |
| EDC Control | Options available: Auto, Enable, Disable. Default setting is Auto . |

5-3-4-1 SMU Common Options



| Parameter | Description |
|-----------------------------|--|
| SMU Common Options | |
| Power Policy Quick Setting | Options available: Standard, Best Performance, Energy Efficient. Default setting is Standard . |
| Determinism Control | Selects use the fused Determinism or set customized Determinism. Options available: Auto/Manual. Default setting is Auto . |
| Determine Slider | Options available: Auto/Power, Performance. Default setting is Power . |
| cTDP Control | Selects use the fused TDP or set customized TDP. **TDP is used to define the RC thermal model only** Options available: Auto/Manual. Default setting is Auto . |
| cTDP | Display cTDP information. |
| EfficiencyModeEn | Options available: Auto/Enabled. Default setting is Auto . |
| Package Power Limit Control | Selects use the fused PPT or set customized PPT. **PPT will be used as the ASIC power limit** Options available: Auto/Manual. Default setting is Auto . |
| Package Power Limit | Display Package Power Limit information |
| xGMI Link Width Control | Options available: Auto/Enabled. Default setting is Auto . |
| APBDIS | Options available: Auto, 0, 1. Default setting is Auto . |

| Parameter | Description |
|------------------------|--|
| DF Cstates | Enable/Disable DF C-states. Options available: Auto, Enabled, Disabled. Default setting is Auto . |
| CPPC | Enable/Disable the CPPC feature. Options available: Auto, Enabled, Disabled. Default setting is Auto . |
| HSMP Support | Select HSMP support enable or disable. Options available: Auto, Enabled, Disabled. Default setting is Auto . |
| DLMM Support | Select DLMM support enable or disable. Options available: Auto, Enabled, Disabled. Default setting is Auto . |
| BoostFmaxEn | Options available: Auto/Enabled. Default setting is Auto . |
| EDC Current | Options available: Enable, Disable. Default setting is Disable . |
| LCLK Frequency Control | Press [Enter] for advanced configuration. |
| DF PSTATE Mode Select | Option available: Normal, limit Highest, Limit All, Auto. Default setting is Auto . |

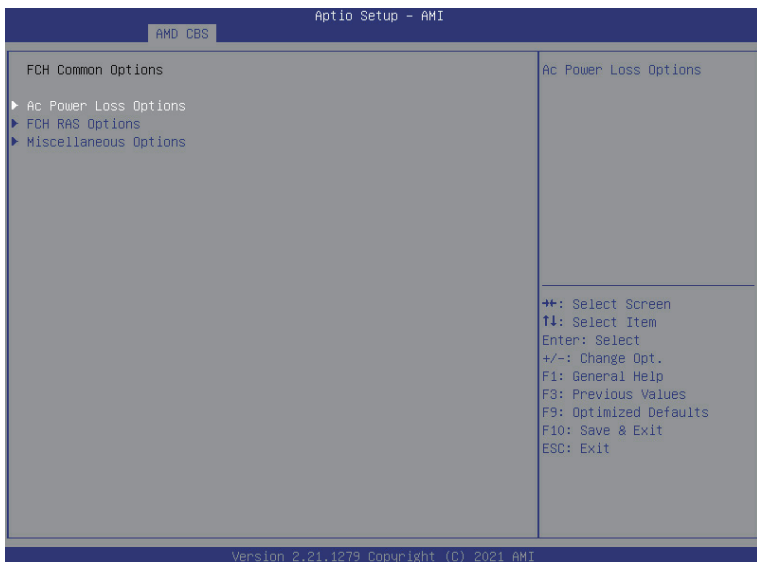
5-3-4-2 NBIO RAS Common Options



| Parameter | Description |
|------------------------------|--|
| NBIO RAS Common Options | |
| NBIO RAS Control | Options available: Disabled, MCA, Legacy. Default setting is MCA . |
| Egress Poison Serverity High | Configures the Egress Poison High Serverity. Each bit set to 1 enables High serverity on the associated IOHC egress port. A bit of 0 indicates LOW serverity. |
| Egress Poison Serverity Low | Configures the Egress Poison Low Serverity. Each bit set to 1 enables High serverity on the associated IOHC egress port. A bit of 0 indicates LOW serverity. |
| NBIO SyncFlood Generation | The value may be used to mask SyncFlood caused by NBIO RAS options. Options available: Auto, Enabled, Disabled. Default setting is Auto . |
| NBIO SyncFlood Reporting | The value may be used to enanle SyncFlood reporting to APML. Options available: Enabled/Disabled. Default setting is Disabled . |
| Egress Poison Mask High | Enables mask for masking of errors logged in EGRESS_POISON_STATUS. For each bit set to 1, errors are masked. For each bit set to 0, errors trigger response actions. |
| Egress Poison Mask Low | Enables mask for masking of errors logged in EGRESS_POISON_STATUS. For each bit set to 1, errors are masked. For each bit set to 0, errors trigger response actions. |

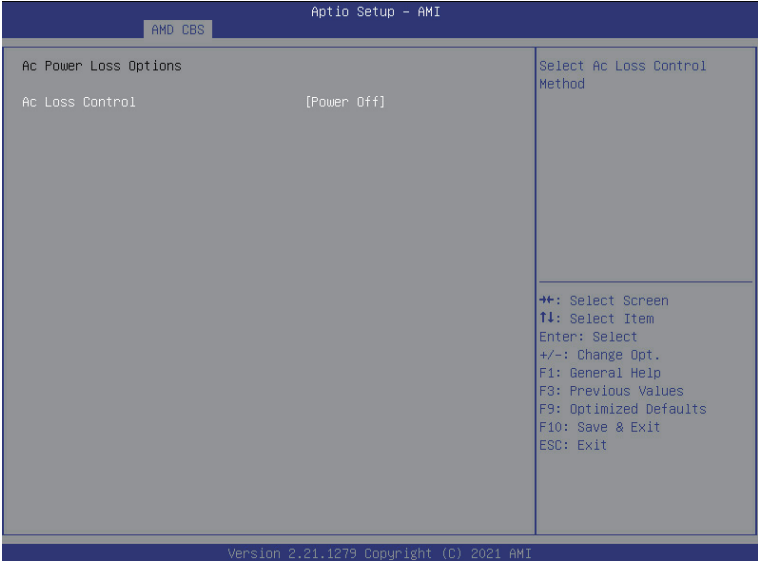
| Parameter | Description |
|--|--|
| Uncorrected Converted to Poison Enable Mask High | Enables mask for masking of uncorrectable parity errors on internal arrays. |
| Uncorrected Converted to Poison Enable Mask Low | Enables mask for masking of uncorrectable parity errors on internal arrays. |
| System Hub Watchdog Timer | Specifies the timer interval of the SYSHUB Watchdog timer in milliseconds. |
| SLINK Read Response OK | This item specifies whether SLINK read response errors are converted to an Okay response. Options available: Enabled/Disabled. Default setting is Disabled . |
| SLINK Read Response Error Handling | Options available: Enabled, Trigger MCOMMIT Error, Log Errors in MCA. Default setting is Log Errors in MCA . |
| Log Poison Data from SLINK | Enable/Disable the Log Poison Data from SLINK feature. Options available: Enabled/Disabled. Default setting is Disabled . |
| PCIe Aer Reporting Mechanism | Selects the method of reporting AER errors from PCI Express. Options available: Auto, Firmware First, OS First, MCA. Default setting is Auto . |
| Edpc Control | Options available: Auto, Enabled, Disabled. Default setting is Disabled . |
| NBIO Poison Consumption | Options available: Auto, Enabled, Disabled. Default setting is Auto . |
| Sync Flood on PCIe Fatal Error | Options available: Auto, True, False. Default setting is Auto . |

5-3-5 FCH Common Options



| Parameter | Description |
|-----------------------|--|
| FCH Common Options | |
| AC Power Loss Options | Press [Enter] for configuration of advanced items. |
| FCH RAS Options | Press [Enter] for configuration of advanced items. |
| Miscellaneous Options | Press [Enter] for configuration of advanced items. |

5-3-5-1 AC Power Loss Options



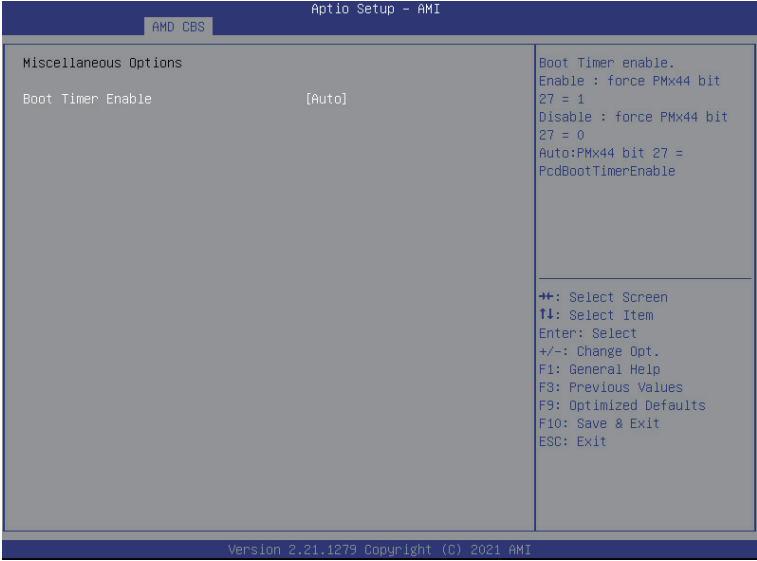
| Parameter | Description |
|-----------------------|---|
| AC Power Loss Options | |
| AC Loss Control | Selects the AC Loss Control Method. Options available: Power Off, Power On, Last State. Default setting is Power off . |

5-3-5-2 FCH RAS Options



| Parameter | Description |
|------------------------|---|
| FCH RAS Options | |
| ALink RAS Support | Enable/Disable the ALink RAS Support. Options available: Auto, Enabled, Disabled. Default setting is Auto . |
| Reset after sync flood | Enables AB to forward downstream sync-flood message to system controller. Options available: Auto, Enabled, Disabled. Default setting is Auto . |

5-3-5-3 Miscellaneous Options



| Parameter | Description |
|-----------------------|--|
| Miscellaneous Options | |
| Boot Time Enable | Options available: Auto, Enabled, Disabled. Default setting is Auto . |

5-3-6 NTB Common Options



| Parameter | Description |
|------------------------|--|
| NTB Common Options | |
| Socket-0 P0 NTB Enable | Options available: Auto/Enable. Default setting is Auto . |
| Socket-0 P1 NTB Enable | Options available: Auto/Enable. Default setting is Auto . |
| Socket-0 P2 NTB Enable | Options available: Auto/Enable. Default setting is Auto . |
| Socket-0 P3 NTB Enable | Options available: Auto/Enable. Default setting is Auto . |

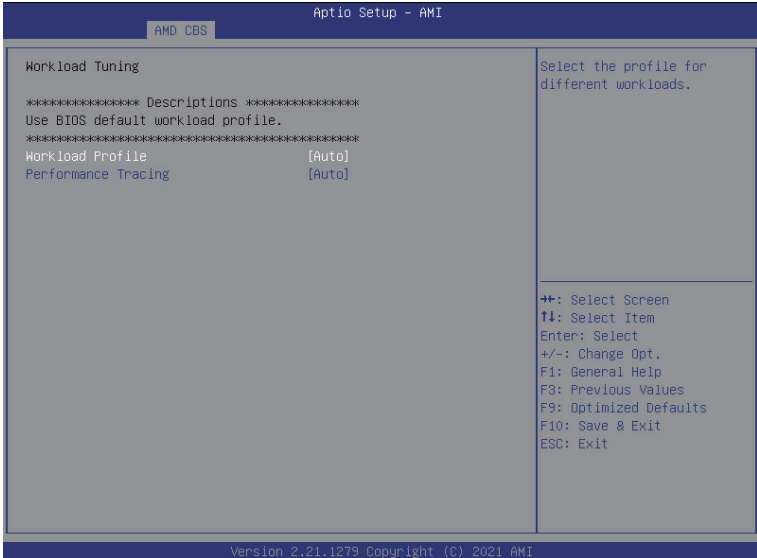
5-3-7 SOC Miscellaneous Control



| Parameter | Description |
|---|--|
| SOC Miscellaneous Control | |
| ABL Console Out Control | Enable/Disable the ConsoleOut function for ABL. Options available: Auto, Enabled, Disabled. Default setting is Auto . |
| ABL PMU message Control ^(Note) | To Control the total number of PMU debug messages. Options available: Auto, Enabled, Disabled. Default setting is Auto . |

(Note) This item appears when **ABL Console Out Control** is set to **Enabled**.

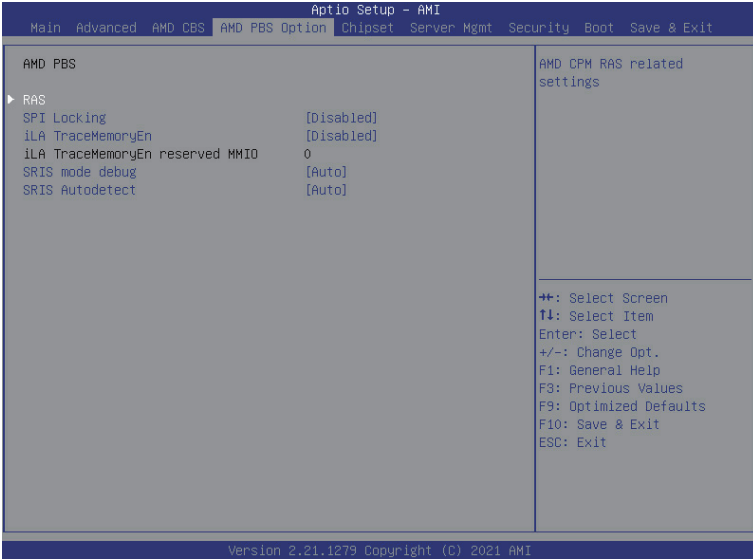
5-3-8 Workload Tuning



| Parameter | Description |
|---------------------|---|
| Workload Tuning | |
| Workload Profile | Select the profile for different workloads. Default setting is Auto . |
| Performance Tracing | Enable to allow capturing performance traces. Options available: Auto, Enabled, Disabled. Default setting is Auto . |

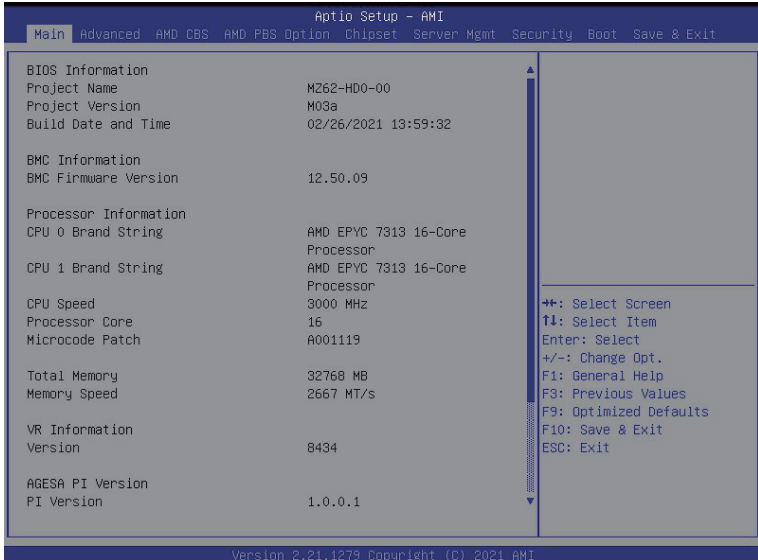
5-4 AMD PBS Menu

AMD PBS Option menu displays submenu options for configuring the function of AMD PBS. Select a submenu item, then press [Enter] to access the related submenu screen.



| Parameter | Description |
|---------------------------------|---|
| RAS | Press [Enter] for configuration of advanced items. |
| SPI Locking | Enable/Disable SPI Locking for protect ROM part. Options available: Enabled/Disabled. Default setting is Disabled . |
| iLA TraceMemoryEn | Reserved 1M bytes MMIO space on 1M boundary when iLA TraceMemoryEn disabled. Options available: Enabled/Disabled. Default setting is Disabled . |
| iLA TraceMemoryEn reserved MMIO | Reserved function. |
| SRIS mode debug | Control SRIS mode debug. Options available: Auto/Enabled/Disabled. Default setting is Auto . |
| SRIS Autodetect | Control SRIS Autodetect. Options available: Auto/Enabled/Disabled. Default setting is Auto . |

5-4-1 RAS

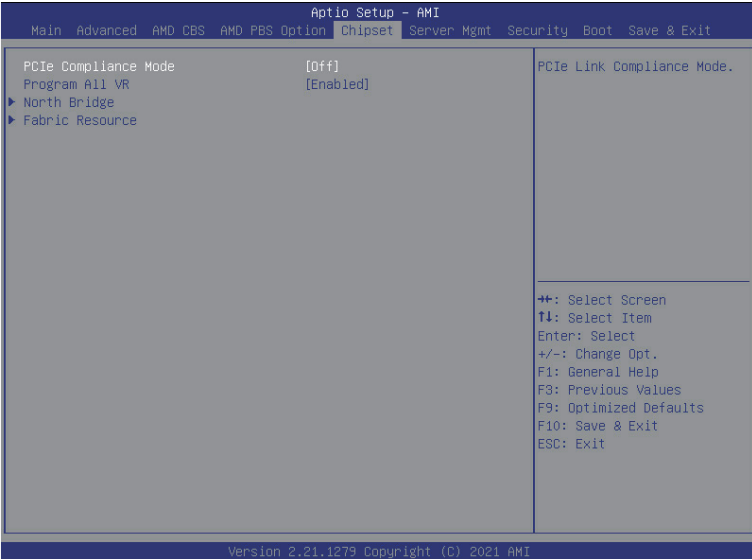


| Parameter | Description |
|----------------------------------|---|
| RAS Periodic SMI Control | Enable/Disable the Periodic SMI for polling [MCA Threshold] error. Options available: Enabled/Disabled. Default setting is Enabled . |
| SMI Threshold | Configures the SMI Threshold value. |
| SMI Scale | Configures the SMI Scale value. |
| SMI Scale Unit | Defines the unit of time scale. Options available: millisecond, second, minute. Default setting is millisecond . |
| SMI Period | Configures the SMI Period. |
| GHEs Notify Type | Selects the Notification type for deferred/ corrected errors. Options available: Polled/SCI. Default setting is Polled . |
| GHEs UnCorr Notify Type | Selects the Notification type for uncorrected errors. Options available: Polled/NMI. Default setting is NMI . |
| PCIe GHEs Notify Type | Selects the Notification type for PCIe corrected errors. Options available: Polled/SCI. Default setting is Polled . |
| PCIe UnCorr GHEs Notify Type | Selects the Notification type for PCIe uncorrected errors. Options available: Polled/NMI. Default setting is NMI . |
| PCIe Root Port Corr Err Mask Reg | Initialize the PCIe AER Corrected Error Mask register of Root Port. |

| Parameter | Description |
|-------------------------------------|--|
| PCIe Root Port UnCorr Err Mask Reg | Initialize the PCIe AER Uncorrected Error Mask register of Root Port. |
| PCIe Root Port UnCorr Err Sev Reg | Initialize the PCIe AER Uncorrected Error Severity register of Root Port. |
| PCIe Device Corr Err Mask Reg | Initialize the PCIe AER Corrected Error Mask register of PCIe device. |
| PCIe Device UnCorr Err Mask Reg | Initialize the PCIe AER Uncorrected Error Mask register of PCIe device. |
| PCIe Device UnCorr Err Sev Reg | Initialize the PCIe AER Uncorrected Error Severity register of PCIe device. |
| CCIX GHES Deferred ERR Notify Type | Selects the Notification type for CCIX deferred error. Options available: Polled/SCI. Default setting is Polled . |
| CCIX GHES Corrected Err Notify Type | Selects the Notification type for CCIX corrected error. Options available: Polled/SCI. Default setting is Polled . |
| DDR4 DRAM Hard Post Package Repair | This feature allows spare DRAM rows to replace malfunctioning rows via an in-field repair mechanism. Options available: Enabled/Disabled. Default setting is Disabled . |
| HEST DMC Structure Support | HEST DMC (Deferred Machine Check) Structure Support. Options available: Enabled/Disabled. Default setting is Disabled . |
| RAS EINJ Mode | BIOS: Send APEI EINJ actions to PSP via CPM EINJSMI callback; PSP: Send APEI EINJ actions to RSP via PSP Mailbox. Option available: BIOS, PSP. Default setting is PSP . |

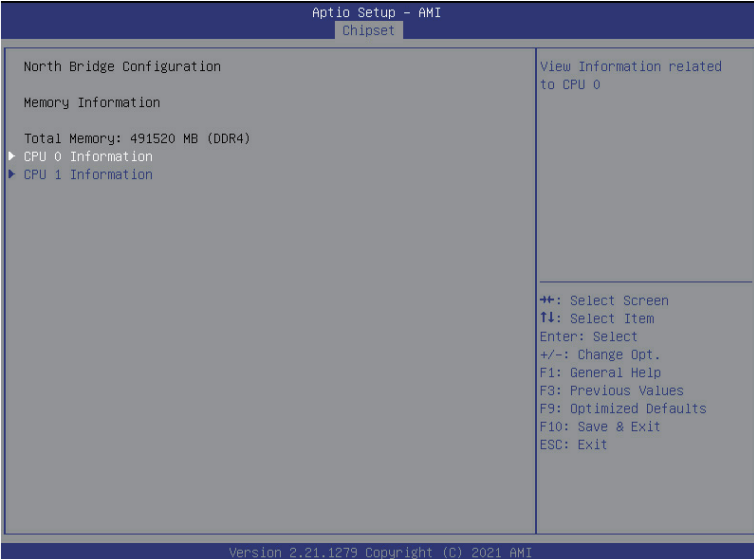
5-5 Chipset Setup Menu

Chipset Setup menu displays submenu options for configuring the function of the North Bridge. Select a submenu item, then press <Enter> to access the related submenu screen.



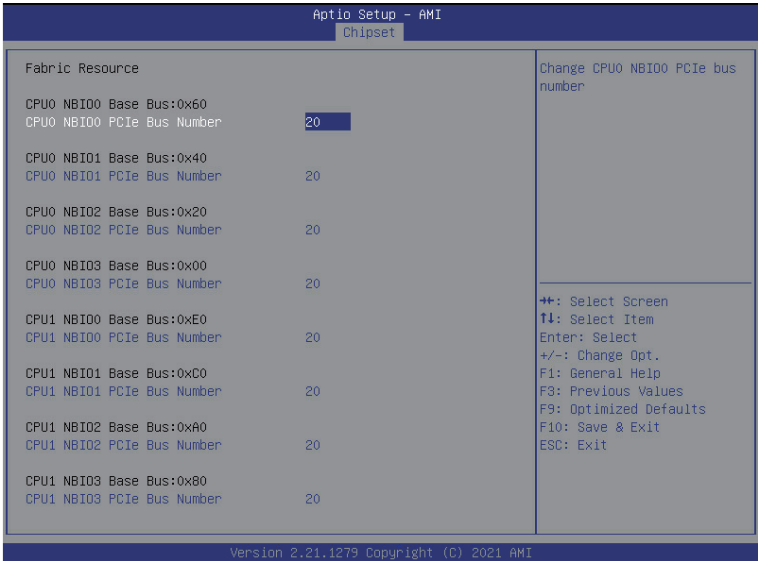
| Parameter | Description |
|----------------------|--|
| PCIe Compliance Mode | Options available: On/Off. Default setting is Off . |
| Program All VR | Enable/Disable program all VR on MB. Options available: Enabled/Disabled. Default setting is Enabled . |
| North Bridge | Press [Enter] for configuration of advanced items. |
| Fabric Resource | Press [Enter] for configuration of advanced items. |

5-5-1 North Bridge



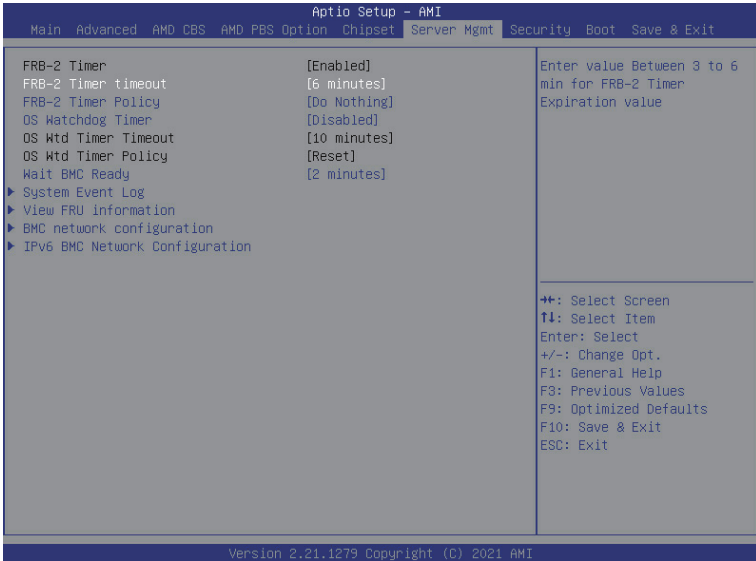
| Parameter | Description |
|----------------------------|---|
| North Bridge Configuration | |
| Memory Information | |
| Total Memory | Displays the total memory information. |
| CPU0 Information | Press [Enter] to view information related to CPU 0. |
| CPU1 Information | Press [Enter] to view information related to CPU 1. |

5-5-2 Fabric Resource



| Parameter | Description |
|-----------------------------------|---|
| Fabric Resource | |
| Socket 0/1 NBIO_# PCIe Bus Number | Change Socket 0/1 NBIO_# PCIe Bus Number. |

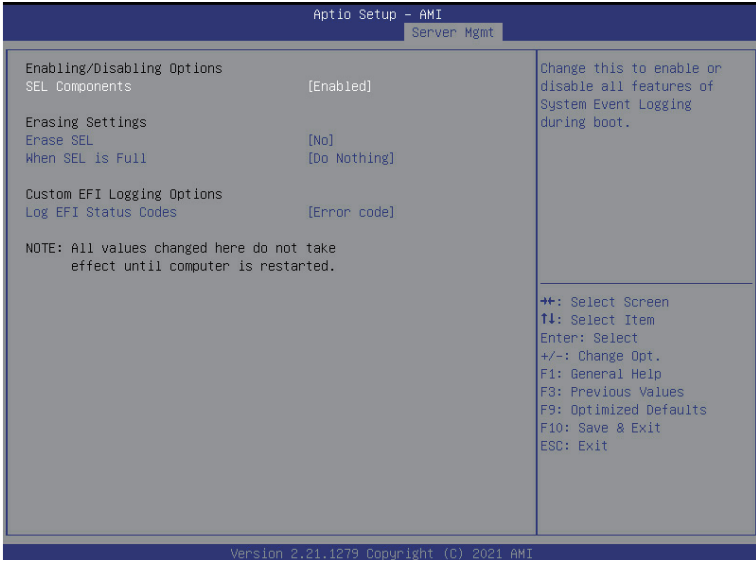
5-6 Server Management Menu



| Parameter | Description |
|----------------------|--|
| FRB-2 Timer | Display the FRB-2 Timer status. This item is not configurable. |
| FRB-2 Timer timeout | Configures the FRB2 Timer timeout. Options available: 3 minutes, 4 minutes, 5 minutes, 6 minutes. Default setting is 6 minutes . |
| FRB-2 Timer Policy | Configures the FRB2 Timer policy. Options available: Do Nothing, Reset, Power Down, Power Cycle. Default setting is Do Nothing . |
| OS Watchdog Timer | Enable/Disable OS Watchdog Timer function. Options available: Enabled/Disabled. Default setting is Disabled . |
| OS Wtd Timer Timeout | Configures OS Watchdog Timer. Options available: 5 minutes, 10 minutes, 15 minutes, 20 minutes. Default setting is 10 minutes . Please note that this item is configurable when OS Watchdog Timer is set to Enabled. |
| OS Wtd Timer Policy | Configure OS Watchdog Timer Policy. Options available: Reset, Do Nothing, Power Down. Default setting is Reset . Please note that this item is configurable when OS Watchdog Timer is set to Enabled. |

| Parameter | Description |
|--------------------------------|---|
| Wait BMC Ready | POST wait BMC ready and reboot system. Options available: Disabled/2 minutes/4 minutes/6 minutes. Default setting is 2 minutes . |
| System Event Log | Press [Enter] to configure advanced items. |
| View FRU Information | Press [Enter] to view the FRU information. |
| BMC network configuration | Press [Enter] to configure advanced items. |
| IPv6 BMC Network Configuration | Press [Enter] to configure advanced items. |

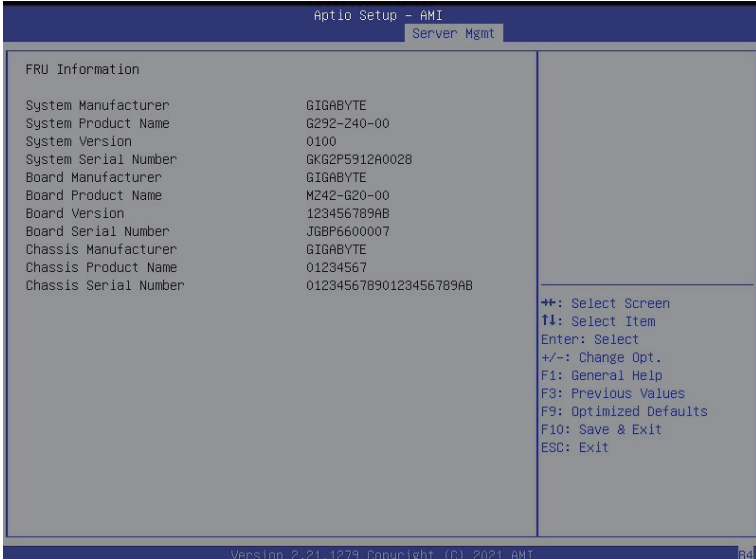
5-6-1 System Event Log



| Parameter | Description |
|------------------------------|---|
| Enabling / Disabling Options | |
| SEL Components | Change this item to enable or disable all features of System Event Logging during boot. Options available: Enabled/Disabled. Default setting is Enabled . |
| Erasing Settings | |
| Erase SEL | Choose options for erasing SEL. Options available: No/Yes, On next reset/Yes, On every reset. Default setting is No . |
| When SEL is Full | Choose options for reactions to a full SEL. Options available: Do Nothing/Erased Immediately. Default setting is Do Nothing . |
| Custom EFI Logging Options | |
| Log EFI Status Codes | Enable/Disable the logging of EFI Status Codes (if not already converted to legacy). Options available: Disabled, Both, Error code and Progress code. Default setting is Error code . |

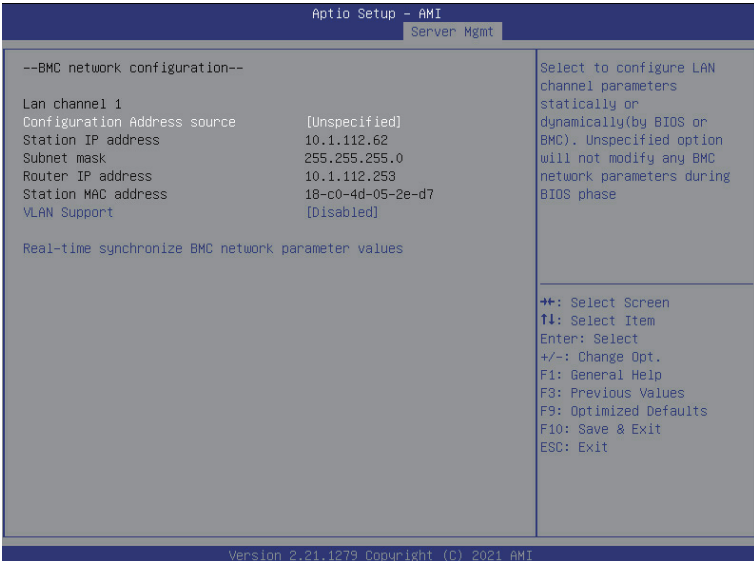
5-6-2 View FRU Information

The FRU page is a simple display page for basic system ID information, as well as System product information. Items on this window are non-configurable.



(Note) The model name will vary depends on the product you purchased

5-6-3 BMC Network Configuration



| Parameter | Description |
|-----------------------------------|---|
| BMC network configuration | |
| Lan Channel 1 | |
| Configuration Address source | Selects to configure LAN channel parameters statically or dynamically (DHCP). Do nothing option will not modify any BMC network parameters during BIOS phase. Options available: Unspecified, Static, DynamicBmcDhcp. Default setting is DynamicBmcDhcp . |
| Station IP address | Displays IP Address information. |
| Subnet mask | Displays Subnet Mask information. Please note that the IP address must be in three digitals, for example, 192.168.000.001. |
| Router IP address | Displays the Router IP Address information. |
| Station MAC address | Displays the MAC Address information. |
| VLAN Support | Set to BMC enabled/diisabled VLAN. Options available: Enabled, Disabled. Default setting is Disabled . |
| Real-time get BMC network address | Press [Enter] will set LAN mode and Address source and then get IP, Subnet, Gateway and MAC address. |

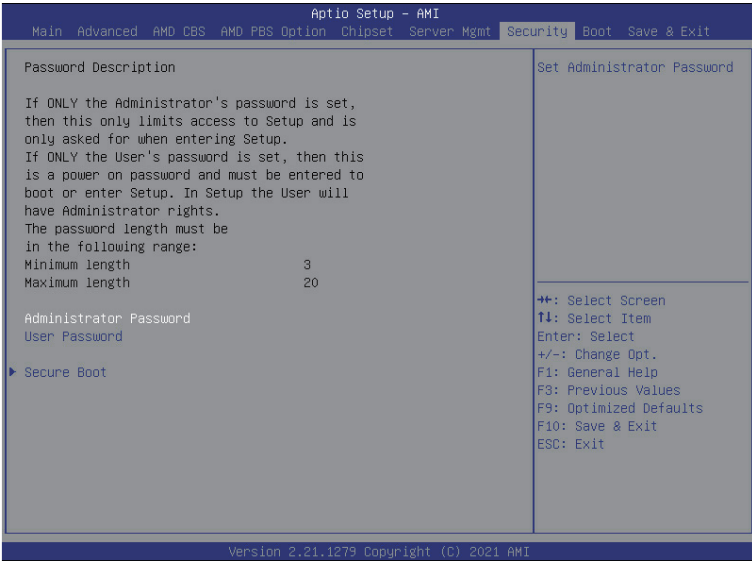
5-6-4 IPv6 BMC Network Configuration



| Parameter | Description |
|---------------------------------------|--|
| IPv6 BMC network configuration | |
| IPv6 BMC Lan Channel 1 | |
| IPv6 BMC Lan Option | Enable/Disable IPv6 BMC LAN channel function. When this item is disabled, the system will not modify any BMC network during BIOS phase. Options available: Unspecified, Disable, Enable. Default setting is Enable . |
| IPv6 BMC Lan IP Address Source | Selects to configure LAN channel parameters statically or dynamically (by BIOS or BMC). Options available: Unspecified, Static, Dynamic-Obtained by BMC running DHCP. Default setting is Enable Dynamic-Obtained by BMC running DHCP . |
| IPv6 BMC Lan IP Address/Prefix Length | Check if the IPv6 BMC LAN IP address matches those displayed on the screen. |

5-7 Security Menu

The Security menu allows you to safeguard and protect the system from unauthorized use by setting up access passwords.



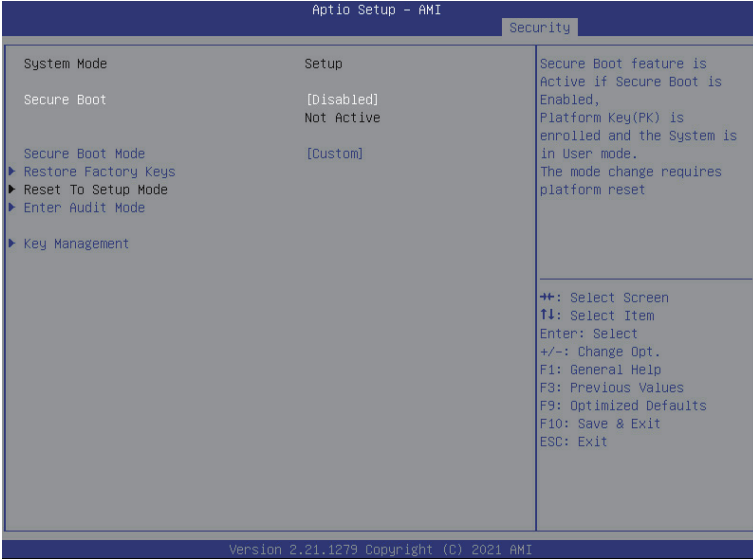
There are two types of passwords that you can set:

- Administrator Password
Entering this password will allow the user to access and change all settings in the Setup Utility.
- User Password
Entering this password will restrict a user's access to the Setup menus. To enable or disable this field, a Administrator Password must first be set. A user can only access and modify the System Time, System Date, and Set User Password fields.

| Parameter | Description |
|------------------------|--|
| Administrator Password | Press [Enter] to configure the administrator password. |
| User Password | Press [Enter] to configure the user password. |
| Secure Boot | Press [Enter] to configure advanced items. |

5-7-1 Secure Boot

The Secure Boot submenu is applicable when your device is installed the Windows® 8 (or above) operating system.



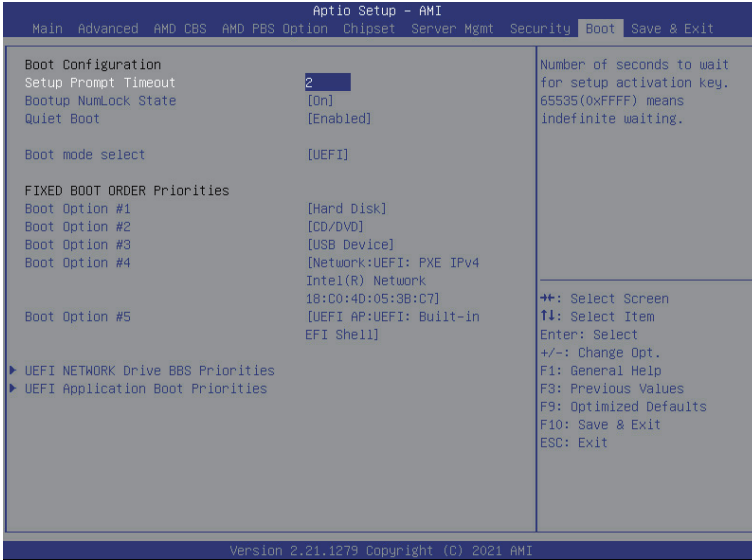
| Parameter | Description |
|---------------------------------------|--|
| System Mode | Displays if the system is in User mode or Setup mode. |
| Secure Boot | Enable/ Disable the Secure Boot function. Options available:Enabled/Disabled. Default setting is Disabled . |
| Secure Boot Mode ^(Note) | Secure Boot requires all the applications that are running during the booting process to be pre-signed with valid digital certificates. This way, the system knows all files being loaded before Windows loads to the login screen have not been tampered with. When set to Standard, it will automatically load the Secure Boot keys form the BIOS databases. When set to Custom, you can customize the Secure Boot settings and manually load its keys from the BIOS database. Options available: Standard/Custom. Default setting is Standard . |
| Restore Factory Keys | Forces the system to user mode and installs factory default Secure Boot key database. |
| Reset to Setup Mode ^(Note) | |
| Enter Audit Mode | Enter Audit Mode workflow. Transitions from User to Audit. Mode will result in erasing of PK variable. |

(Note) Advanced items prompt when this item is set to **Custom**.

| Parameter | Description |
|----------------|--|
| Key Management | <p data-bbox="335 156 665 180">Press [Enter] to configure advanced items.</p> <p data-bbox="335 185 936 235">Please note that this item is configurable when Secure Boot Mode is set to Custom.</p> <ul style="list-style-type: none"> <li data-bbox="335 243 941 352">◆ Factory Key Provision <ul style="list-style-type: none"> <li data-bbox="367 266 941 321">– Allows to provision factory default Secure Boot keys when system is in Setup Mode. <li data-bbox="367 326 899 352">– Options available: Enabled/Disabled. Default setting is Disabled. <li data-bbox="335 357 925 431">◆ Restore Factory Keys <ul style="list-style-type: none"> <li data-bbox="367 381 925 404">– Installs all factory default keys. It will force the system in User Mode. <li data-bbox="367 409 601 431">– Options available: Yes/No. <li data-bbox="335 435 899 517">◆ Enroll Efi Image <ul style="list-style-type: none"> <li data-bbox="367 459 899 517">– Press [Enter] to enroll SHA256 hash of the binary into Authorized Signature Database (db). <li data-bbox="335 522 696 572">◆ Restore DB defaults <ul style="list-style-type: none"> <li data-bbox="367 545 696 572">– Restore DB variable to factory defaults. <li data-bbox="335 577 893 627">◆ Secure Boot variable <ul style="list-style-type: none"> <li data-bbox="367 600 893 627">– Displays the current status of the variables used for secure boot. <li data-bbox="335 631 803 736">◆ Platform Key (PK) <ul style="list-style-type: none"> <li data-bbox="367 655 803 682">– Displays the current status of the Platform Key (PK). <li data-bbox="367 686 675 710">– Press [Enter] to configure a new PK. <li data-bbox="367 715 611 736">– Options available: Set New. <li data-bbox="335 741 941 878">◆ Key Exchange Keys (KEK) <ul style="list-style-type: none"> <li data-bbox="367 765 941 846">– Displays the current status of the Key Exchange Key Database (KEK). <li data-bbox="367 851 904 878">– Press [Enter] to configure a new KEK or load additional KEK from storage devices. <li data-bbox="367 882 675 906">– Options available: Set New/Append. <li data-bbox="335 882 904 1019">◆ Authorized Signatures (DB) <ul style="list-style-type: none"> <li data-bbox="367 906 904 932">– Displays the current status of the Authorized Signature Database. <li data-bbox="367 937 941 987">– Press [Enter] to configure a new DB or load additional DB from storage devices. <li data-bbox="367 992 675 1019">– Options available: Set New/Append. <li data-bbox="335 1023 899 1160">◆ Forbidden Signatures (DBX) <ul style="list-style-type: none"> <li data-bbox="367 1047 899 1074">– Displays the current status of the Forbidden Signature Database. <li data-bbox="367 1078 888 1128">– Press [Enter] to configure a new dbx or load additional dbx from storage devices. <li data-bbox="367 1133 675 1160">– Options available: Set New/Append. <li data-bbox="335 1165 925 1301">◆ Authorized TimeStamps (DBT) <ul style="list-style-type: none"> <li data-bbox="367 1188 925 1215">– Displays the current status of the Authorized TimeStamps Database. <li data-bbox="367 1219 904 1270">– Press [Enter] to configure a new DBT or load additional DBT from storage devices. <li data-bbox="367 1274 675 1301">– Options available: Set New/Append. <li data-bbox="335 1306 915 1434">◆ OsRecovery Signatures <ul style="list-style-type: none"> <li data-bbox="367 1329 915 1356">– Displays the current status of the OsRecovery Signature Database. <li data-bbox="367 1361 888 1411">– Press [Enter] to configure a new OsRecovery Signature or load additional OsRecovery Signature from storage devices. <li data-bbox="367 1415 675 1434">– Options available: Set New/Append. |

5-8 Boot Menu

The Boot menu allows you to set the drive priority during system boot-up. BIOS setup will display an error message if the legacy drive(s) specified is not bootable.

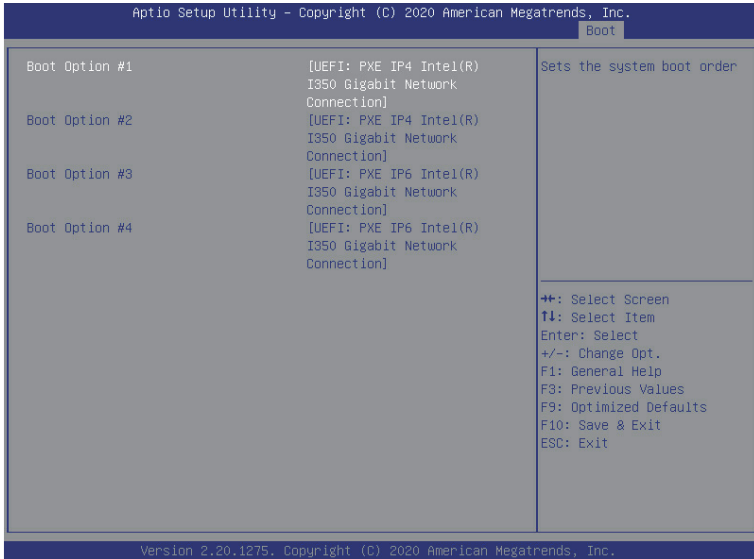


| Parameter | Description |
|----------------------|---|
| Boot Configuration | |
| Setup Prompt Timeout | Number of seconds to wait for setup activation key. 65535 (0xFFFF) means indefinite waiting. Press the numeric keys to input the desired values. |
| Bootup NumLock State | Enable/Disable the Bootup NumLock function. Options available: On/Off. Default setting is Off . |
| Quiet Boot | Enable/Disable showing the logo during POST. Options available: Enabled/Disabled. Default setting is Enabled . |
| Boot mode select | Selects the boot mode. Options available: LEGACY/UEFI. Default setting is UEFI . |

| Parameter | Description |
|------------------------------------|--|
| FIXED BOOT ORDER Priorities | |
| Boot Option #1 / #2 / #3 / #4 / #5 | <p>Press [Enter] to configure the boot priority. By default, the server searches for boot devices in the following sequence:</p> <ol style="list-style-type: none"> 1. Hard drive. 2. CD-COM/DVD drive. 3. USB device. 4. Network. 5. UEFI. |
| UEFI Network Drive BBS Priorities | Press [Enter] to configure the boot priority. |
| UEFI Application Boot Priorities | Press [Enter] to configure the boot priority. |

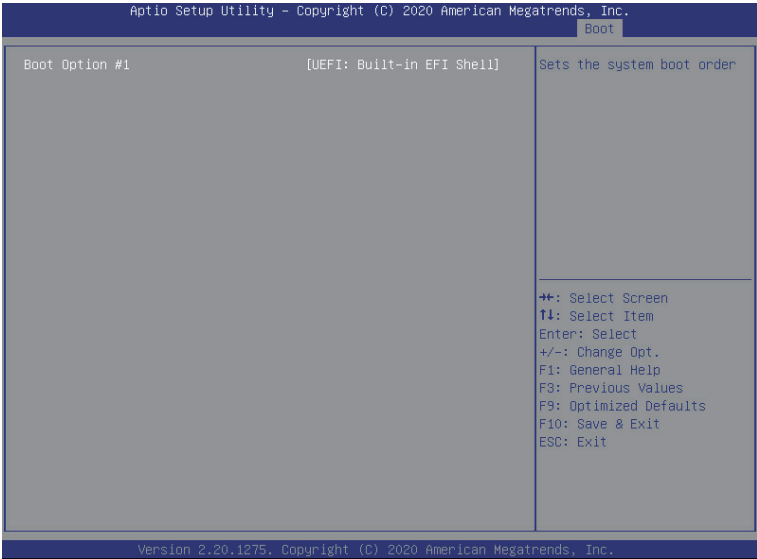
5-8-1 UEFI NETWORK Drive BBS Priorities

The UEFI network drive BBS priorities submenu allows you to specify the boot device priority from the available UEFI network drives during system boot-up. BIOS setup will display an error message if the legacy drive(s) specified is not bootable.



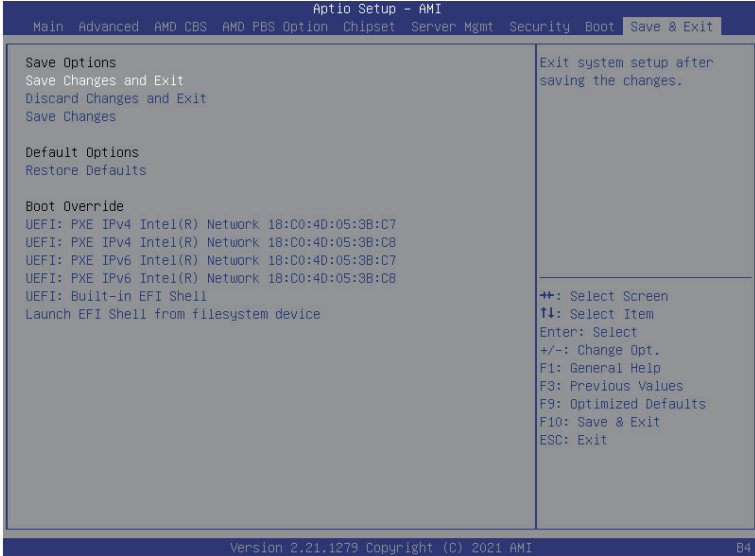
5-8-2 UEFI Application Boot Priorities

The UEFI application boot priorities submenu allows you to specify the boot device priority from the available UEFI applications during system boot-up. BIOS setup will display an error message if the legacy drive(s) specified is not bootable.



5-9 Save & Exit Menu

The Save & Exit menu displays the various options to quit from the BIOS setup. Highlight any of the exit options then press <Enter>.



| Parameter | Description |
|---|---|
| Save Options | |
| Save Changes and Exit | Saves changes made and closes the BIOS setup. Options available: Yes/No. |
| Discard Changes and Exit | Discards changes made and exits the BIOS setup. Options available: Yes/No. |
| Save Changes | Saves changes done so far to any of the setup options. Options available: Yes/No. |
| Default Options | |
| Restore Defaults | Loads the default settings for all BIOS setup parameters. Setup Defaults are quite demanding in terms of resources consumption. If you are using low-speed memory chips or other kinds of low-performance components and you choose to load these settings, the system might not function properly. Options available: Yes/No. |
| Boot Override | Press [Enter] to configure the device as the boot-up drive. |
| Launch EFI Shell from filesystem device | Attempts to Launch EFI Shell application (Shell.efi) from one of the available filesystem devices. |

5-10 BIOS POST Beep code (AMI standard)

5-10-1 PEI Beep Codes

| # of Beeps | Description |
|------------|--|
| 1 | Memory not Installed. |
| 1 | Memory was installed twice (InstallPeiMemory routine in PEI Core called twice) |
| 2 | Recovery started |
| 3 | DXE IPL was not found |
| 3 | DXE Core Firmware Volume was not found |
| 4 | Recovery failed |
| 4 | S3 Resume failed |
| 7 | Reset PPI is not available |

5-10-2 DXE Beep Codes

| # of Beeps | Description |
|------------|---|
| 1 | Invalid password |
| 4 | Some of the Architectural Protocols are not available |
| 5 | No Console Output Devices are found |
| 5 | No Console Input Devices are found |
| 6 | Flash update is failed |
| 7 | Reset protocol is not available |
| 8 | Platform PCI resource requirements cannot be met |

This page intentionally left blank