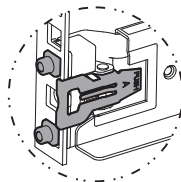
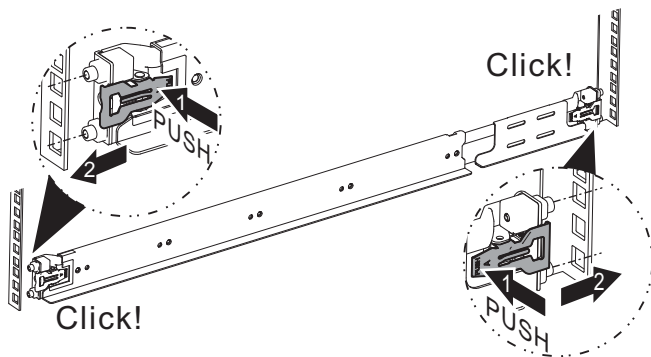


King Slide® — A861-557-0FA

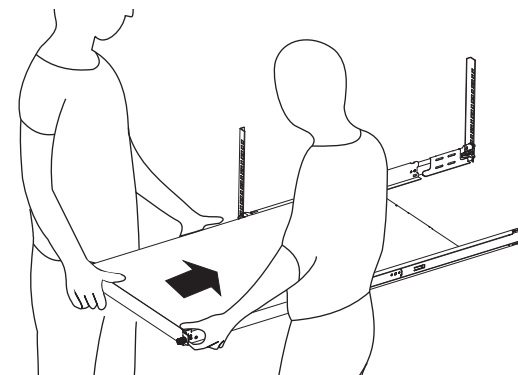
安裝 Installation

- 1) 將滑軌安裝上機櫃。
Attach the rails to the rack.



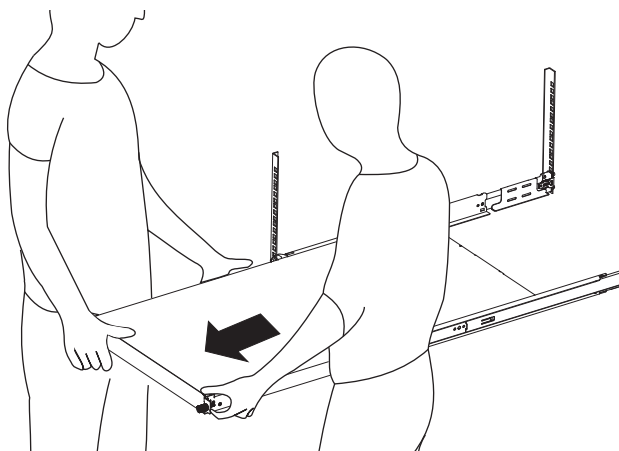
機櫃為方孔柱請注意要將滑軌
滑軌完整裝入機柱空孔內
Caution for Square Hole
Post Square stud must be
fully attached inside the
square hole on the rack rail.

- 2) 安裝機箱。
Install the chassis.
(A) 請確保至少2人操作安裝機箱。
Must be done with at least 2 people.
(B) 正確地將機箱安裝入滑軌L葉片上。
Properly place the chassis directly on the bracket and install.



移除 Removal

- 1) 將機箱由機櫃中移除。
Remove the chassis from the rack.



- 3) 按壓PUSH釋放件將滑軌由機櫃上移除。
Remove slide rail from rack.

