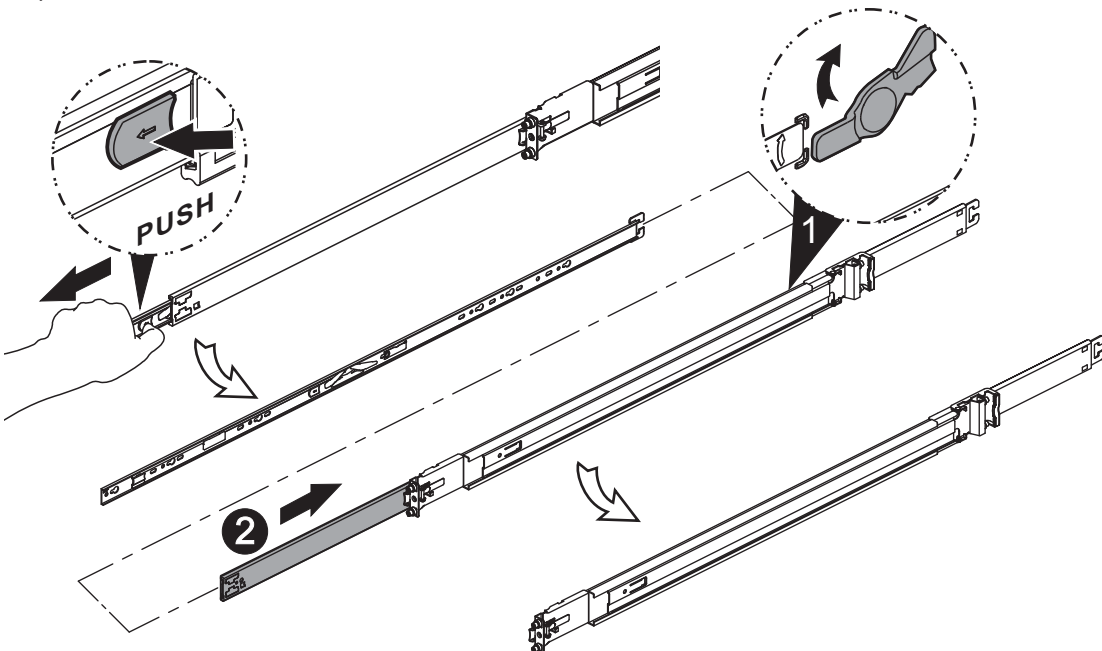
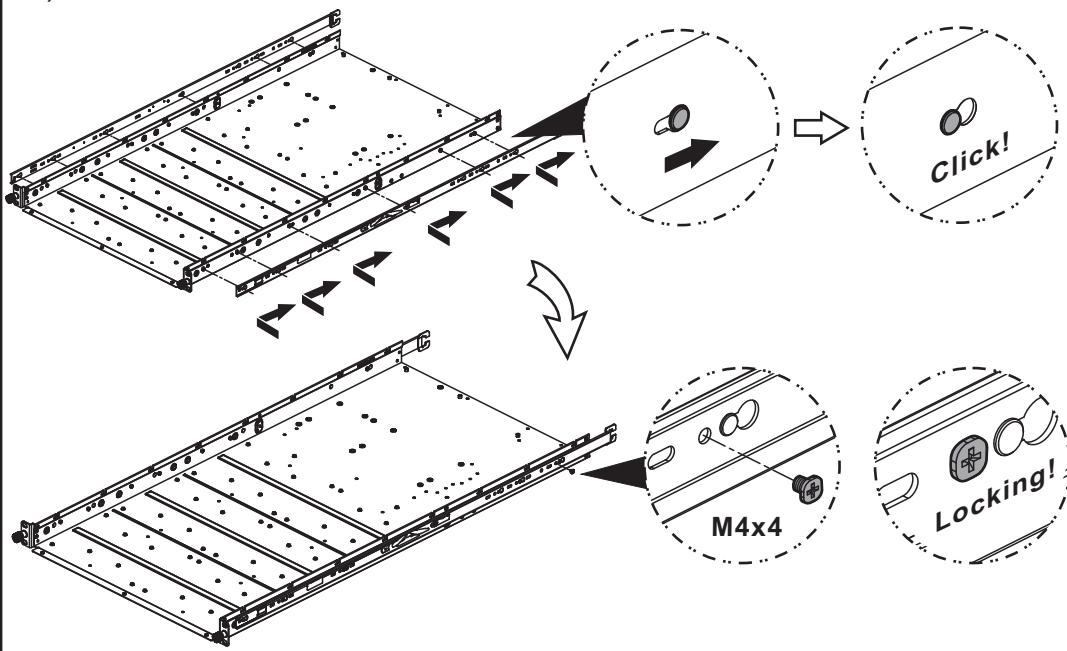


King Slide® — AA612864

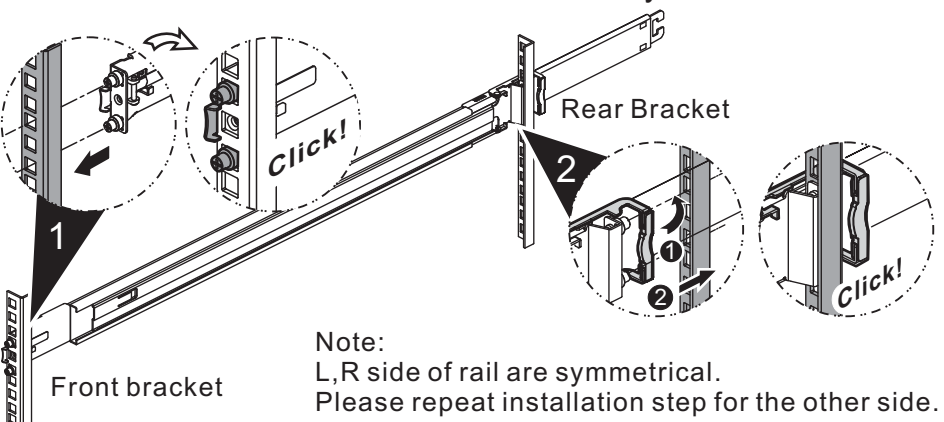
1) Take out the inner member and slide the intermediate member back.



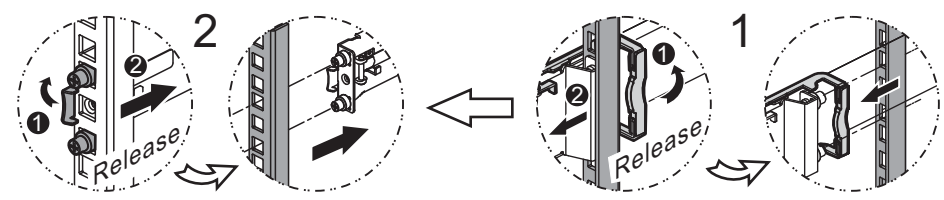
2) Install the inner member onto the chassis.



3. Fix the outer member/bracket assembly to the frame.



Removing bracket



4. Insert the unit to complete the installation

Step 1.
Pull the middle member fully extended in lock position, ensure ball bearing retainer is located at the front of the middle member.

Step 2.
Insert chassis into middle-outer member. When hit a stop, pull / push release tab to retract chassis into rack.

Step 3.
Tighten the thumbscrew onto rack post to complete installation.

