

## How To Install a Server into a Tank

### S251

#### Installing Server



#### CAUTION!

- Make sure the crane can handle at least 60 KG before installing the server into a tank.
- Only licensed professionals are authorized to access the restricted access location.
- The power supply fan is disabled by default, so the server must be immersed in the fluid before powering on.
- Consult with immersion cooling tank vendor to ensure compatibility and read their tank manual thoroughly.
- Do not install a GPU into the system without consulting GIGABYTE first, doing so may cause compatibility issues.

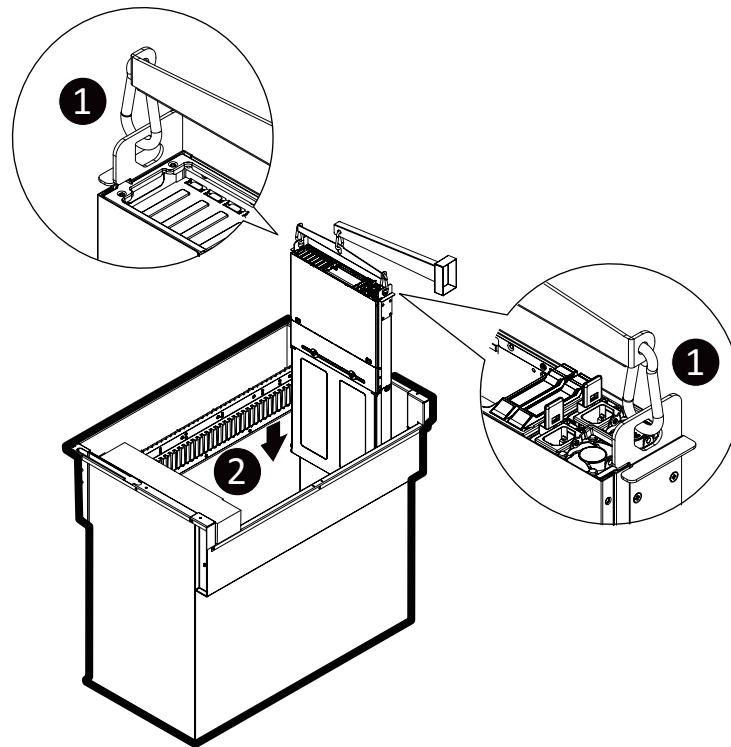


#### DANGER!

- Strongly recommended to use gloves when handling the coolant.
- Before handling coolant, handlers must read the material safety data sheet (MSDS) for their safety.
- The thermal pad contains Indium foil, so it is strongly recommended to use gloves when replacing the thermal pad.

#### Installation

- 1 Attach the two carabiners to server handles.
- 2 Put the server into the tank vertically.



## How To Install a Thermal Pad to CPU

### Installing Thermal Pad

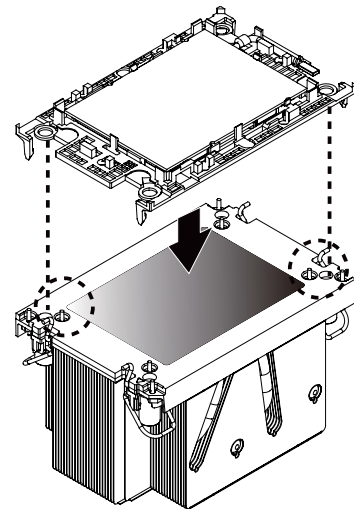
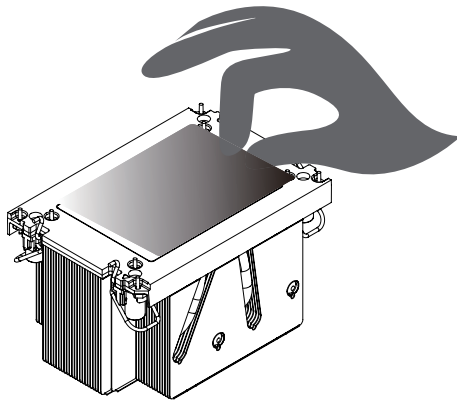


#### DANGER!

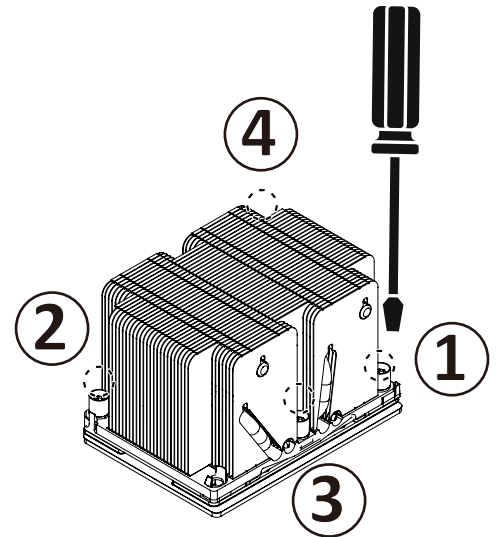
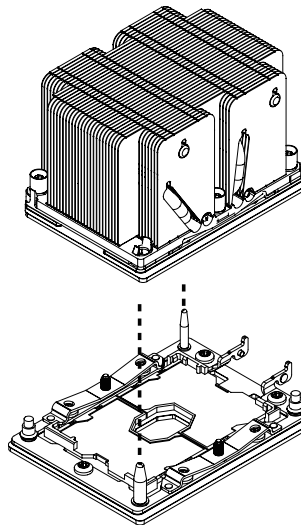
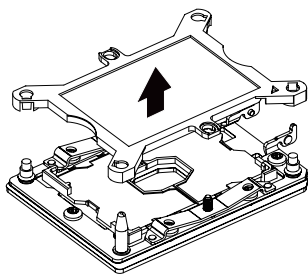
- Strongly recommended to use gloves and mask when handling the thermal pad.
- The thermal pad contains Indium foil, so it is strongly recommended to use gloves when replacing the thermal pad.

#### Installation

- 1 Place the thermal pad at the bottom of the CPU heatsink
2. Align the carrier assembly so that the triangle on the carrier aligns with the triangle on the heatsink, and then install the carrier assembly onto the bottom of the heatsink.



- 2 When installing the heatsink to CPU, use a T30 Lobe screwdriver to tighten 4 captive nuts in sequence as 1-4. The screw tightening torque:  $8 \pm 0.5$  kgf-cm.



Learn more about GIGABYTE server, visit [www.gigabyte.com/Enterprise](http://www.gigabyte.com/Enterprise)

\* All specifications are subject to change without notice. Please visit our website for the latest information.

\* All other brands, logos and names are property of their respective owners.

© 2023 Giga Computing Technology Co., Ltd. All rights reserved.

Engineered by

