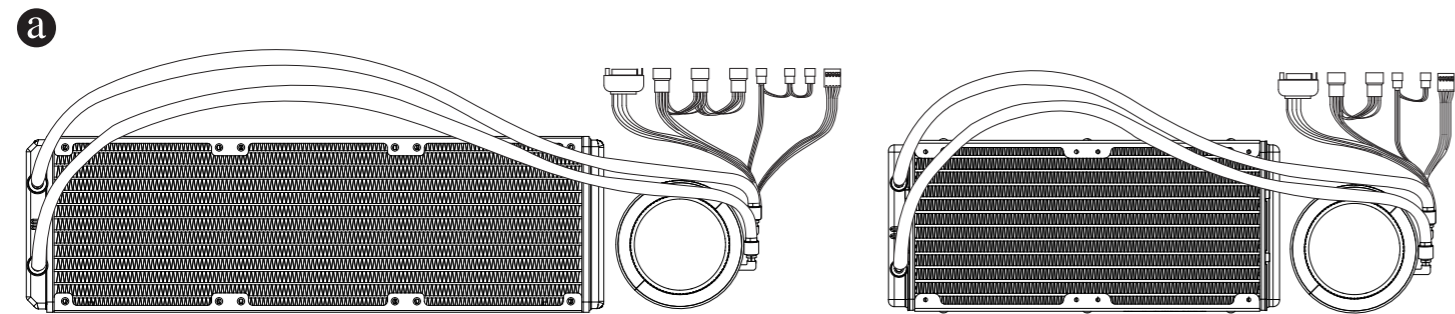


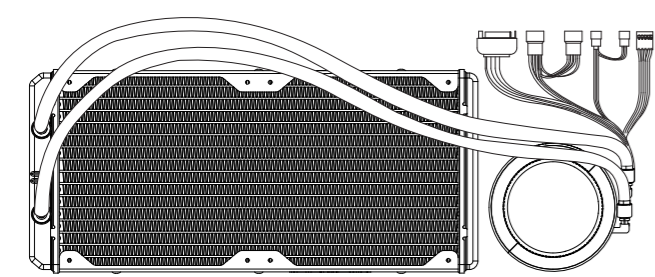
AORUS LIQUID COOLER Quick Installation Guide

Package contents:

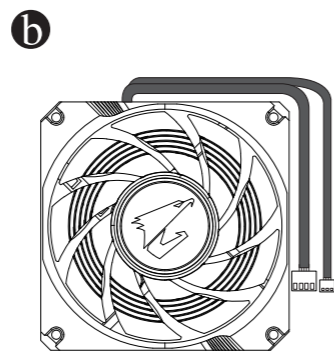


1 x AORUS LIQUID COOLER 360

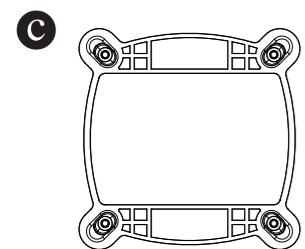
1 x AORUS LIQUID COOLER 240



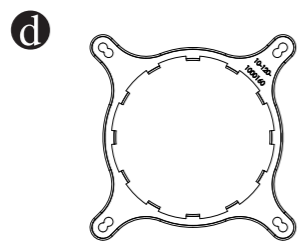
1 x AORUS LIQUID COOLER 280



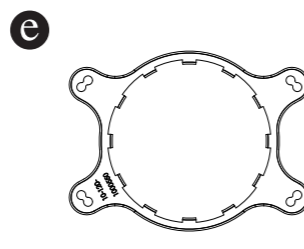
AORUS LIQUID COOLER 360:
3 x 12cm fans
AORUS LIQUID COOLER 280:
2 x 14cm fans
AORUS LIQUID COOLER 240:
2 x 12cm fans



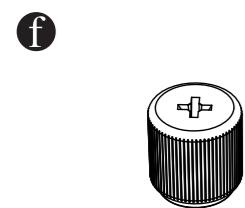
1 x Intel Backplate



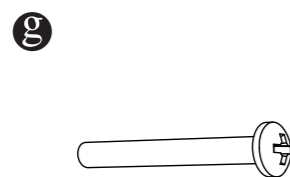
1 x Intel Mounting Bracket



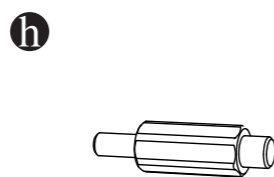
1 x AMD Mounting Bracket



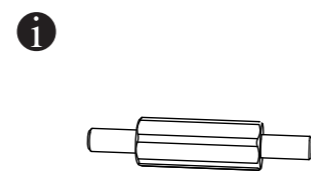
4 x Thumbscrew caps



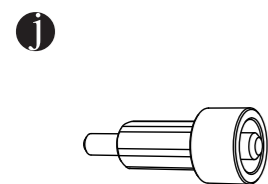
8 or 12 x UNC 6-32x30mm Fan Screws



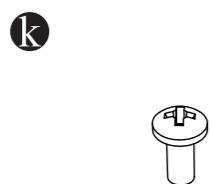
4 x LGA 2011/2011-3/2066 Standoff Screws



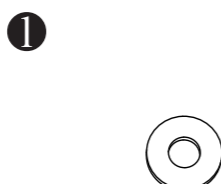
4 x LGA 115X/1200/1366 Standoff Screws



4 x AM4 Standoff Screws



16 or 24 UNC 6-32x8mm Radiator Screws



8 or 16 x Washers



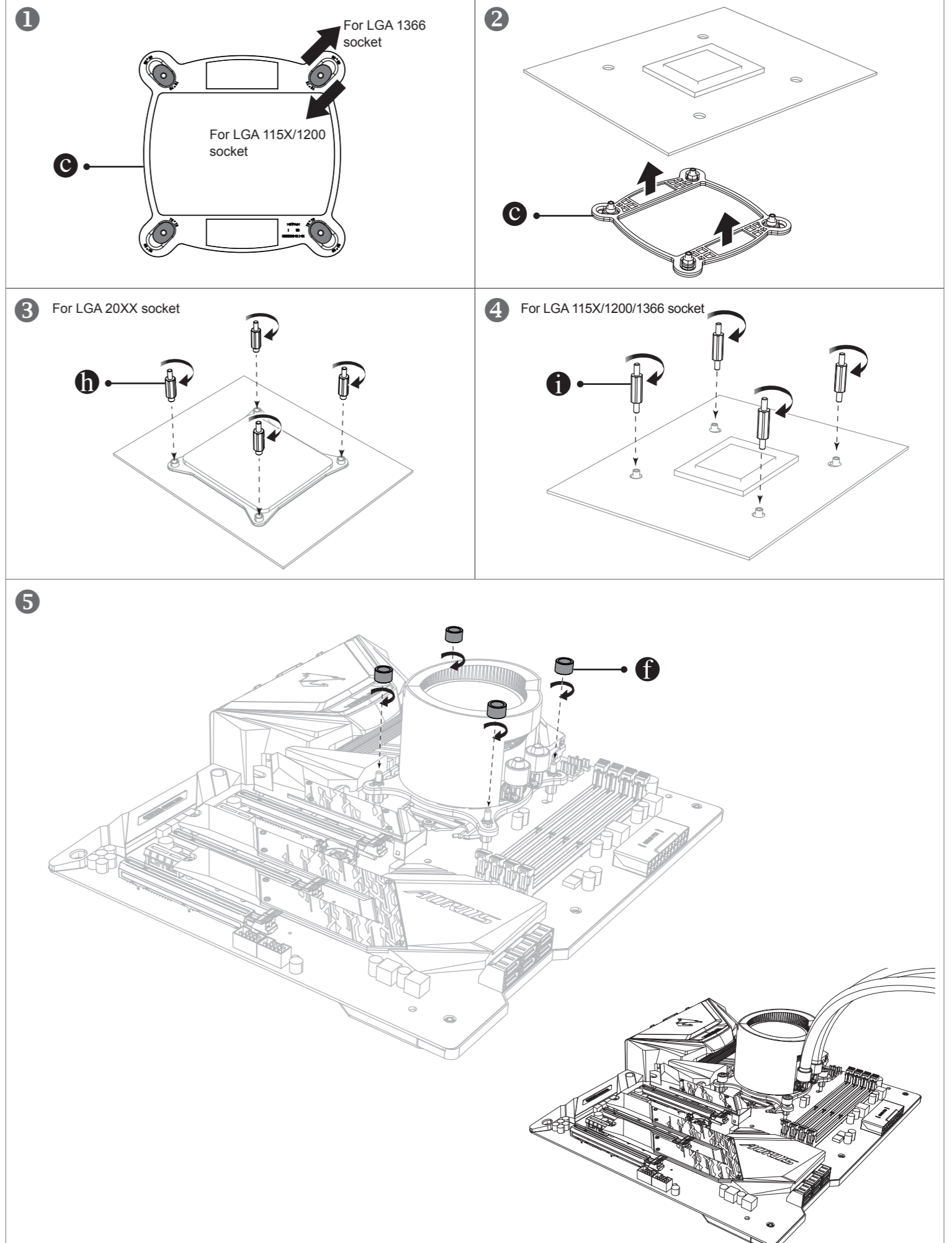
8 or 12 x Metal gaskets for fan



12QM-LIQ248-2NR

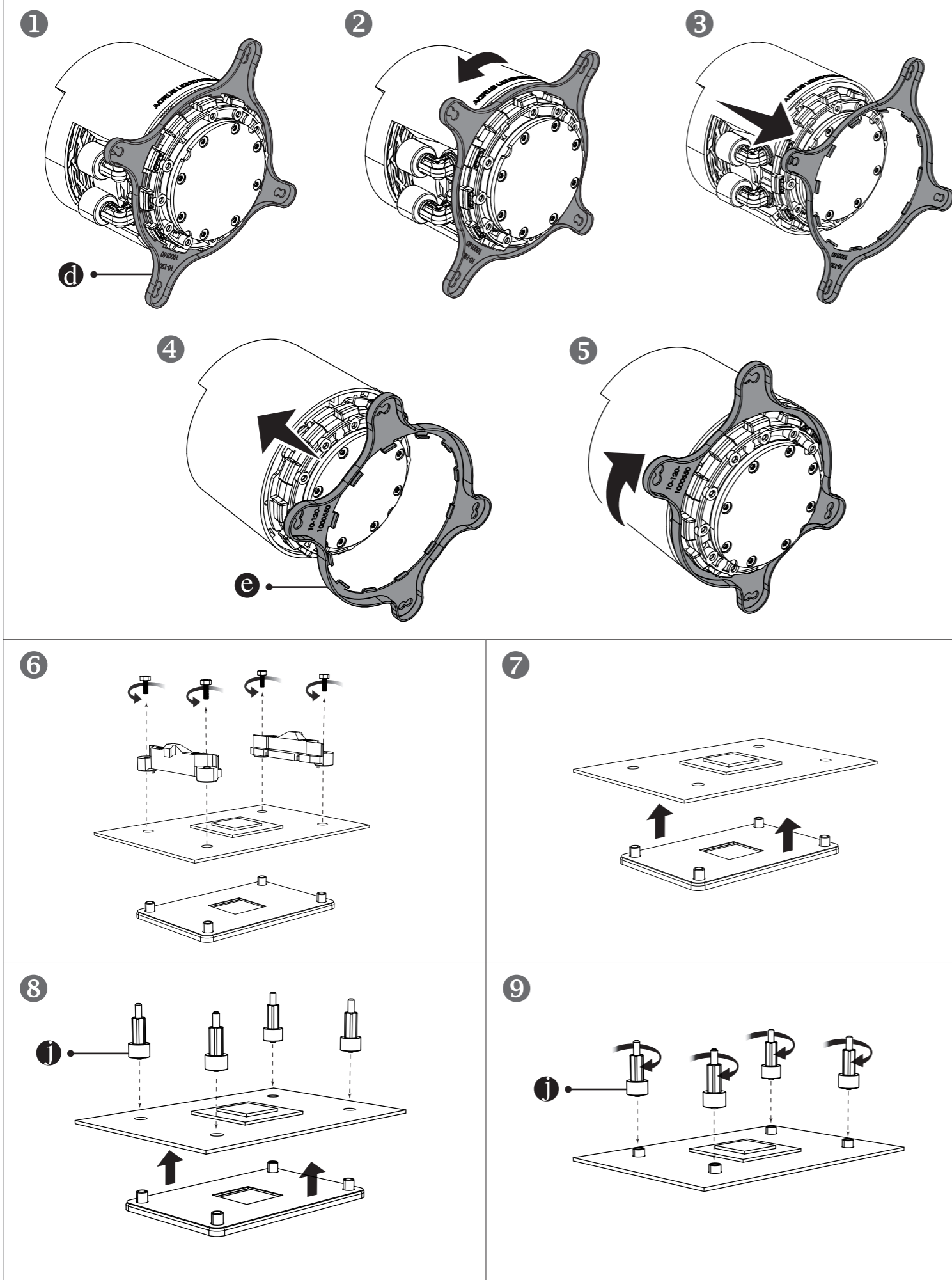
Installing the AORUS LIQUID COOLER

For Intel motherboard:

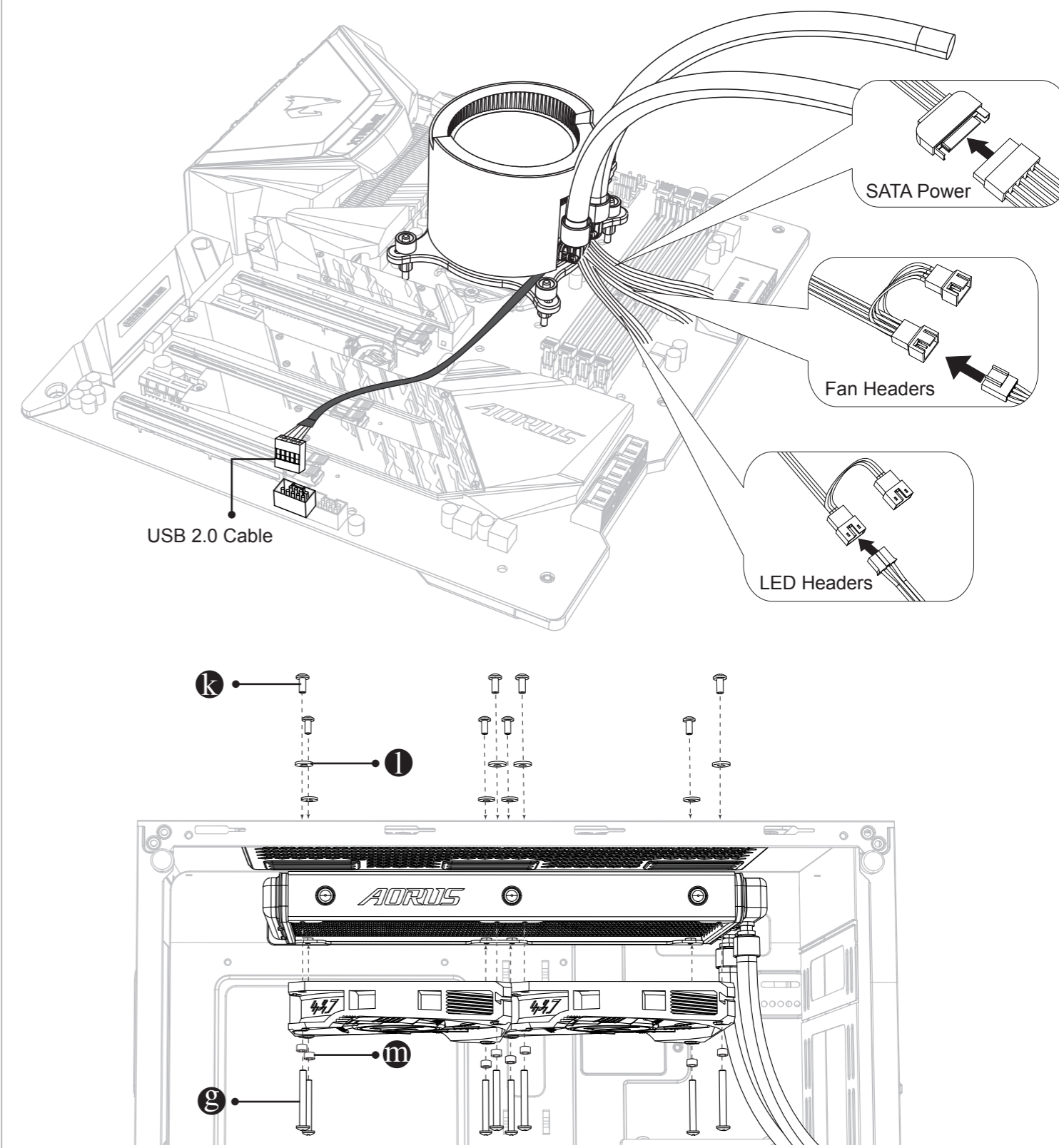


Installing the AORUS LIQUID COOLER

For AMD motherboard:



Cable Connection



Copyright

© 2020 GIGA-BYTE TECHNOLOGY CO., LTD. All rights reserved.
The trademarks mentioned in this manual are legally registered to their respective owners.

Disclaimer

Information in this manual is protected by copyright laws and is the property of GIGABYTE.
Changes to the specifications and features in this manual may be made by GIGABYTE without prior notice.
No part of this manual may be reproduced, copied, translated, transmitted, or published in any form or by any means without GIGABYTE's prior written permission.
For product-related information, check on our website at: <https://www.gigabyte.com>



Contact Us

GIGA-BYTE TECHNOLOGY CO., LTD.

Address: No.6, Baoqiang Rd., Xindian Dist., New Taipei City 231, Taiwan
TEL: +886-2-8912-4000, FAX: +886-2-8912-4005
Tech. and Non-Tech. Support (Sales/Marketing) : <https://esupport.gigabyte.com>
WEB address (English): <https://www.gigabyte.com>
WEB address (Chinese): <https://www.gigabyte.com/tw>

GIGABYTE™