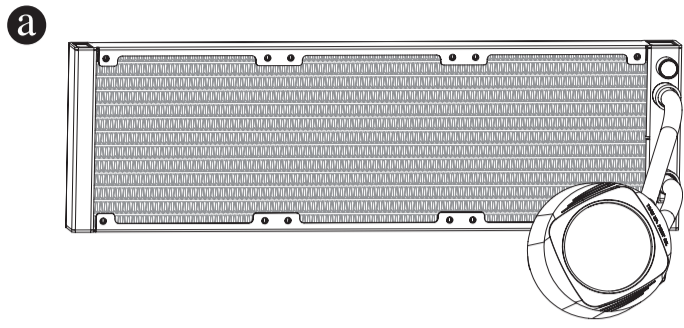
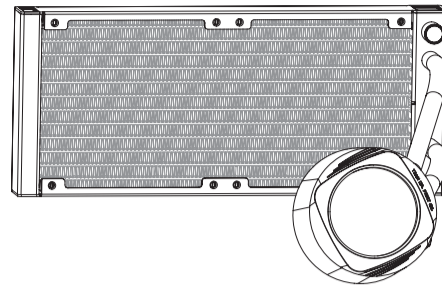


# AORUS WATERFORCE X II Quick Installation Guide

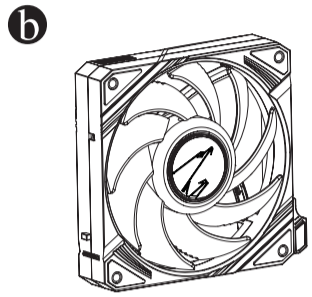
## Package Contents:



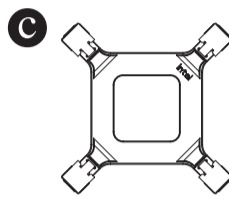
1 x AORUS WATERFORCE X II 360 ICE  
1 x AORUS WATERFORCE X II 360



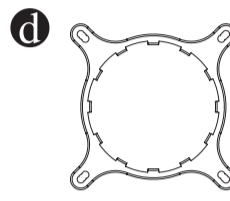
1 x AORUS WATERFORCE X II 240



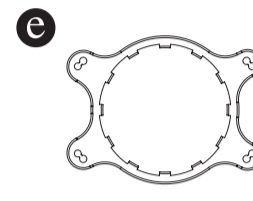
AORUS WATERFORCE X II 360 ICE:  
3 x 12cm fans  
AORUS WATERFORCE X II 360:  
3 x 12cm fans  
AORUS WATERFORCE X II 240:  
2 x 12cm fans



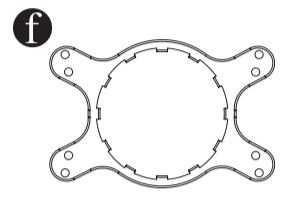
1 x Intel Backplate



1 x Intel Mounting Bracket



1 x AMD Mounting Bracket



1 x TR4/sTR4/sTR5 Mounting Bracket

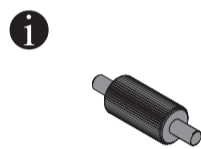


4 x Thumbscrew Caps



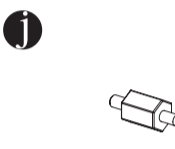
Length: 26.2mm / Color: Silver

4 x LGA 115x/1200/1366 Standoff Screws

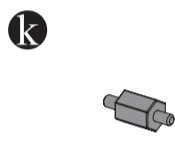


Length: 25.5mm / Color: Black

4 x LGA 1851/1700 Standoff Screws

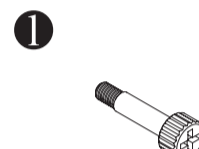


4 x AMD4 Standoff Screws



Color: Silver

4 x AMD5 Standoff Screws

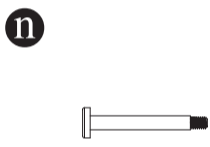


Color: Black

4 x TR4/sTR4/sTR5 Screws



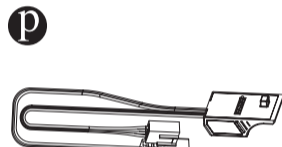
16 or 24 x Radiator Screws



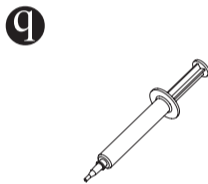
8 or 12 x Fan Screws



8 or 12 x Washers



1 x Fan Cable



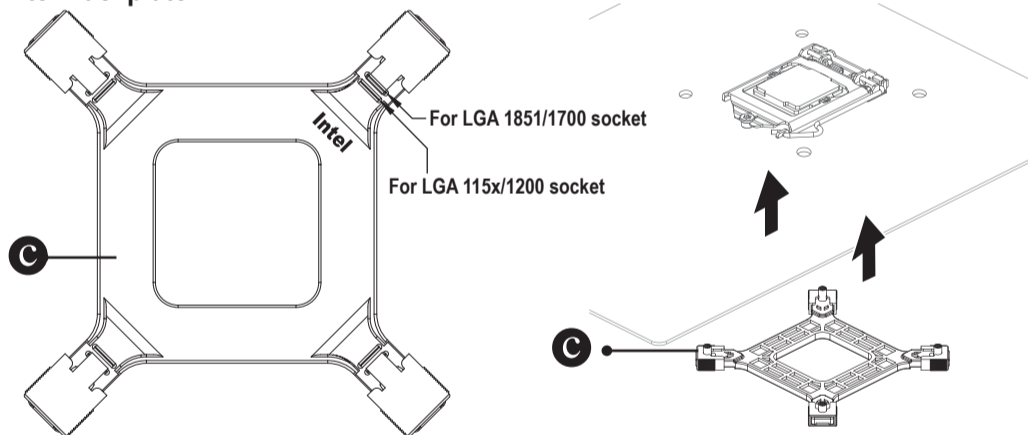
1 x Thermal Grease



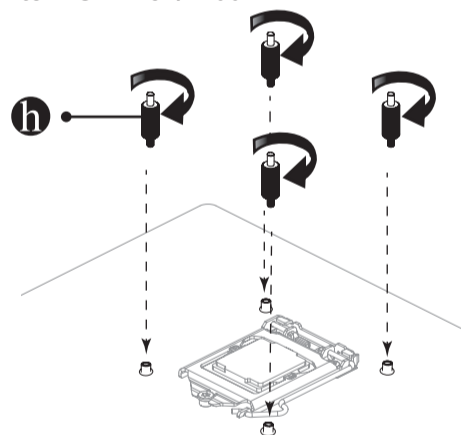
12QM-AWTX20-1NR

## Installing the Mounting Bracket

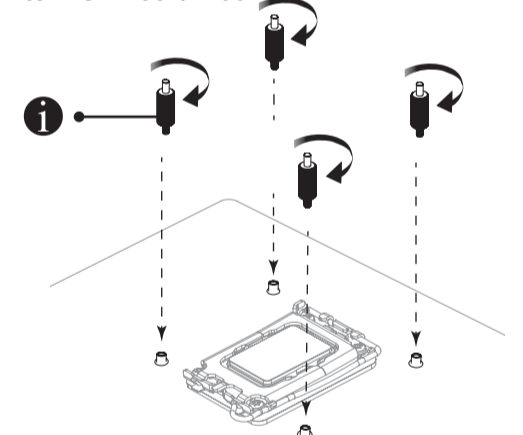
### Intel Backplate



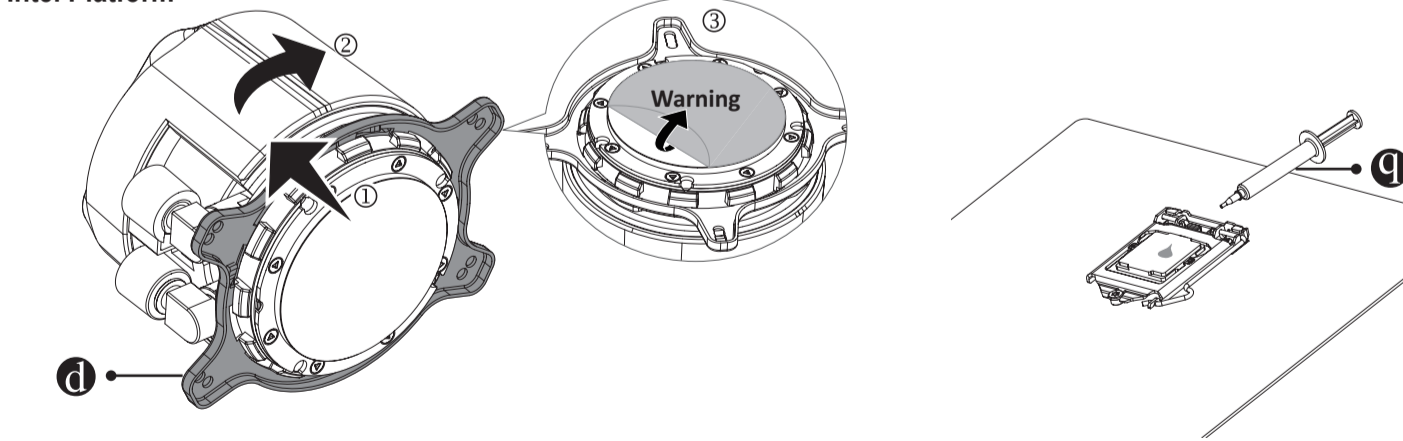
### Intel LGA 115x/1200



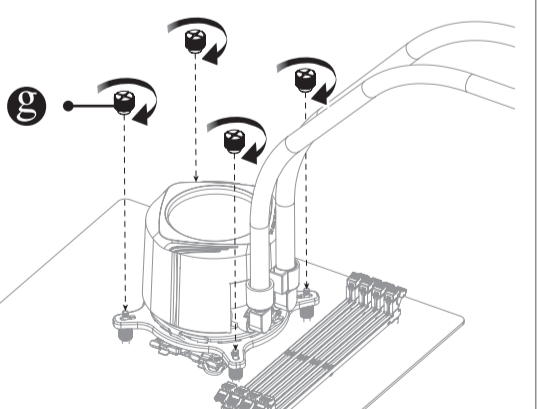
### Intel LGA 1851/1700



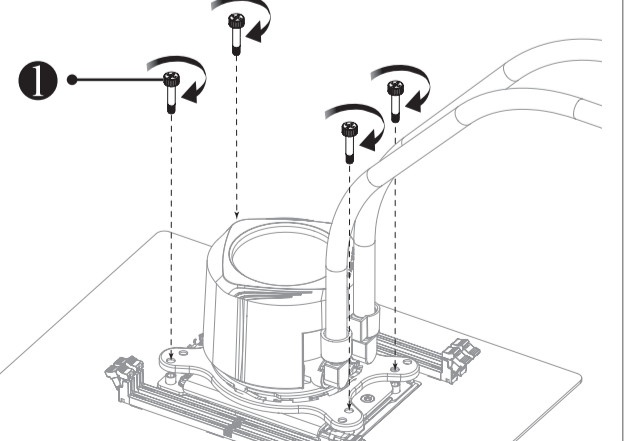
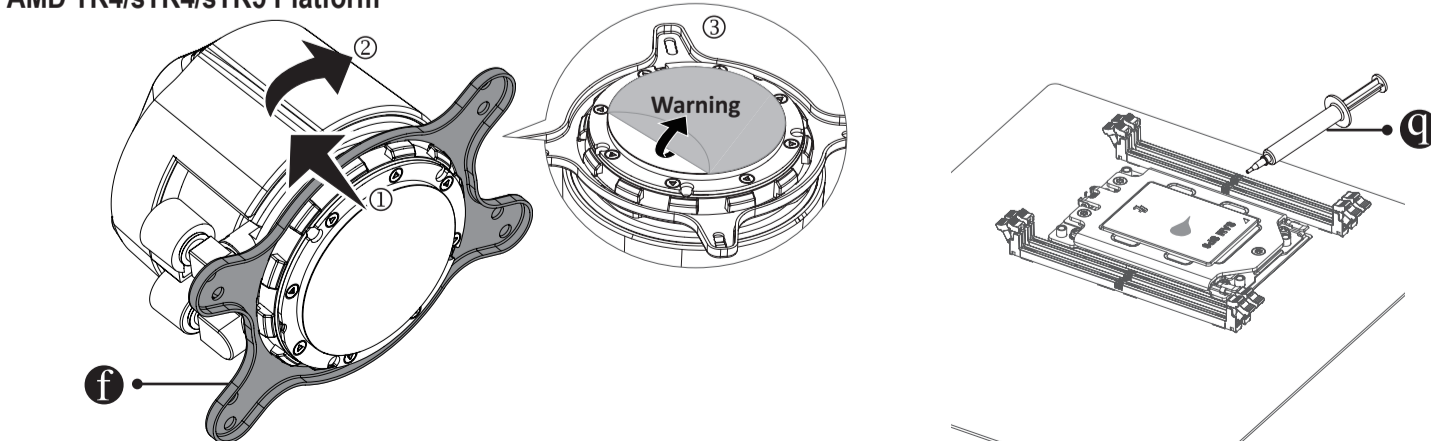
### Intel Platform



\* To experience the best cooling performance, the tubes installation toward the DRAM or I/O is recommended.

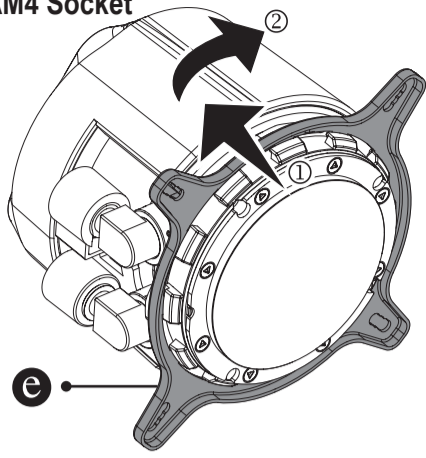


### AMD TR4/sTR4/sTR5 Platform

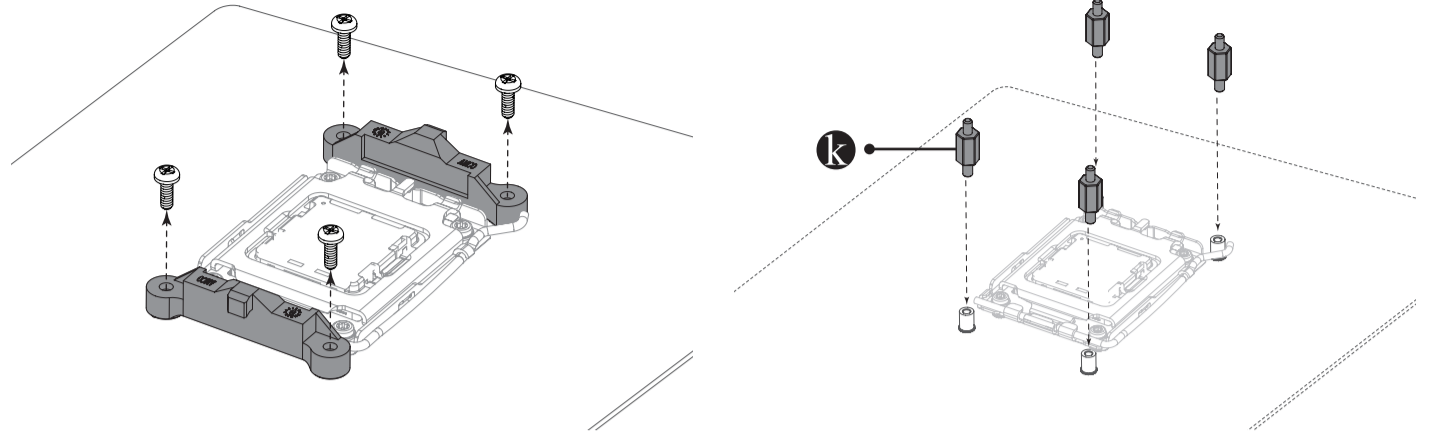


# Installing the Mounting Bracket

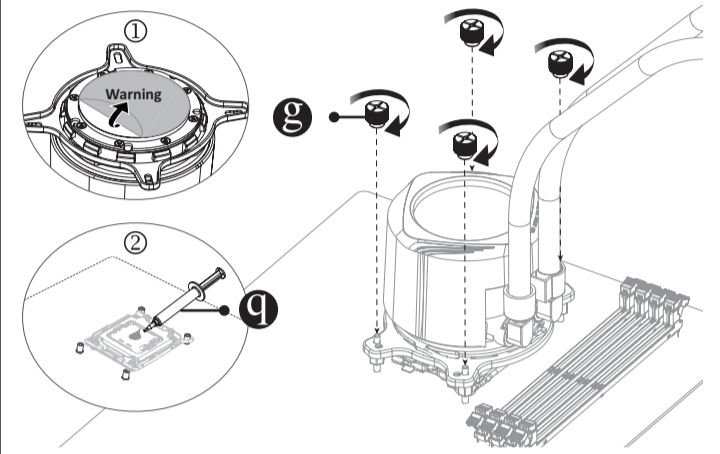
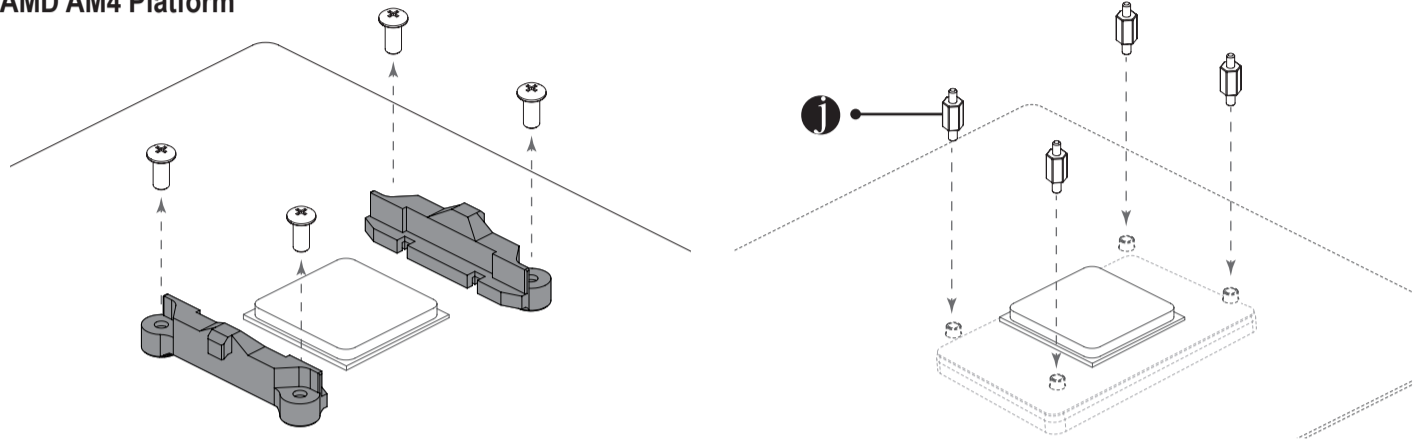
AMD AM5/AM4 Socket



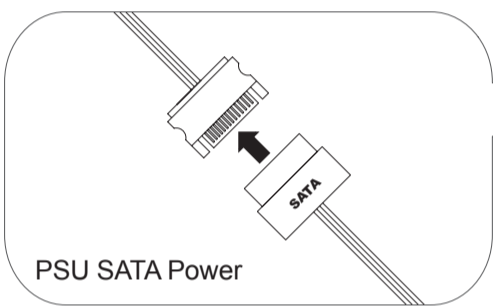
AMD AM5 Platform



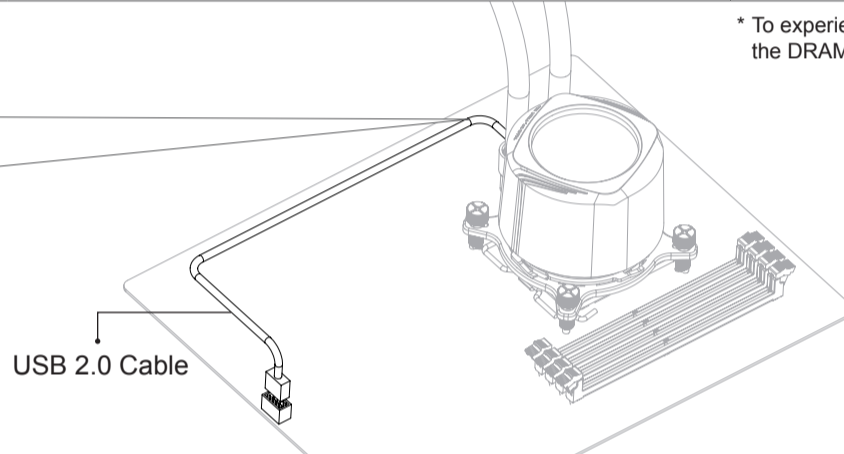
AMD AM4 Platform



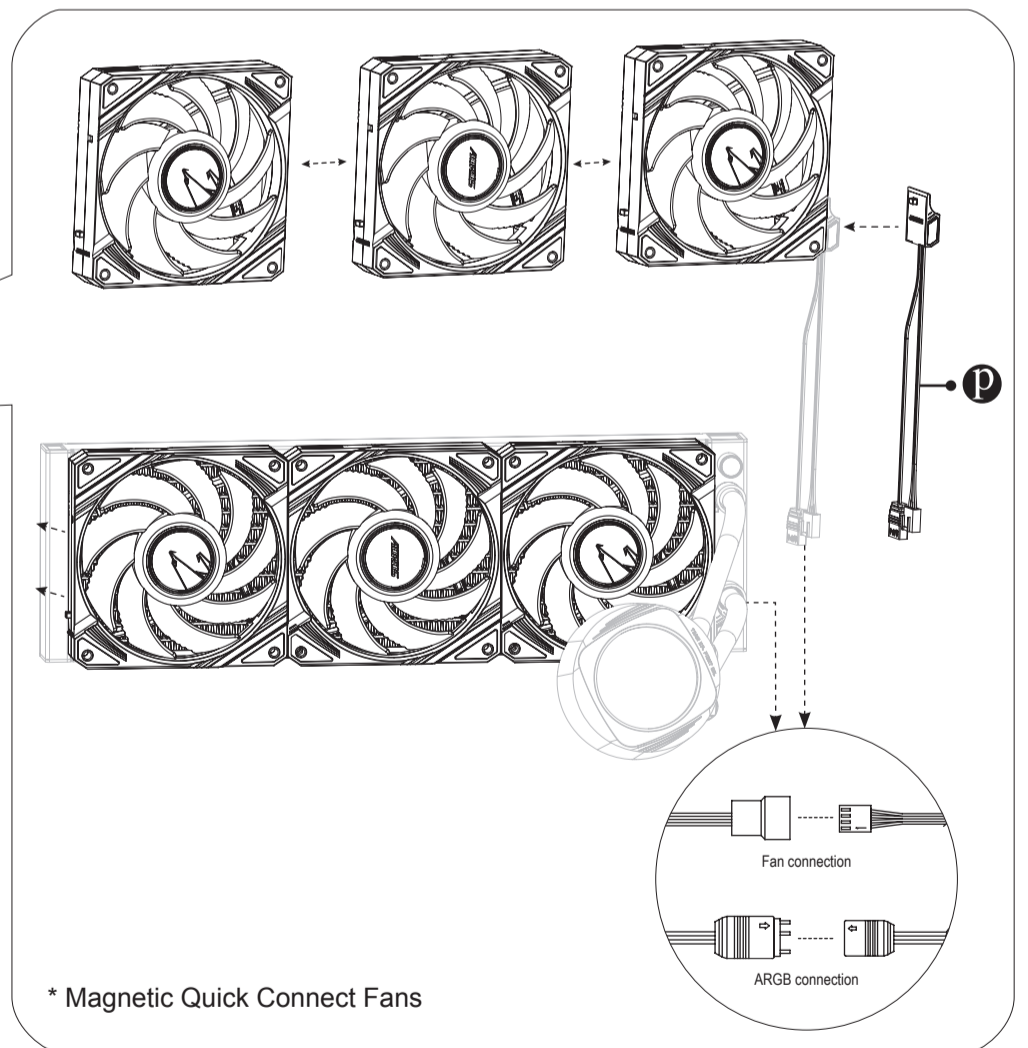
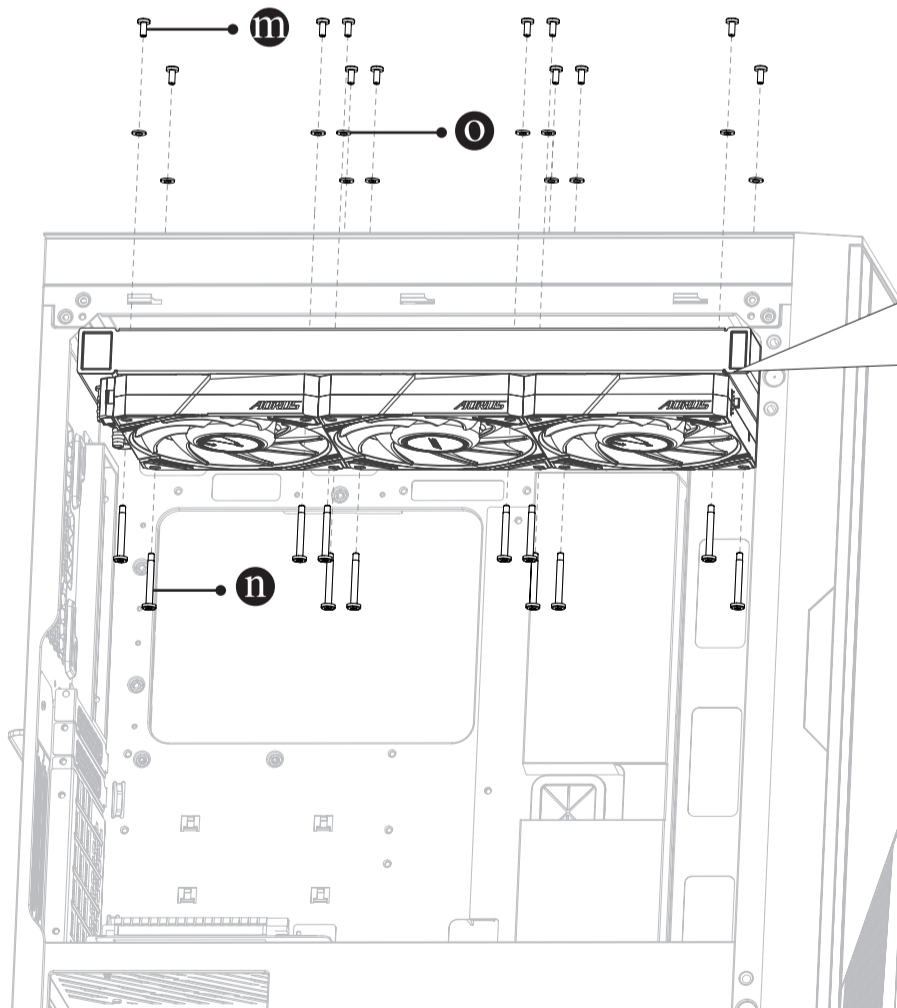
\* To experience the best cooling performance, the tubes installation toward the DRAM or I/O is recommended.



USB 2.0 Cable



# Cable Connection



\* Magnetic Quick Connect Fans



## Contact Us

### GIGA-BYTE TECHNOLOGY CO., LTD.

Address: No.6, Baoqiang Rd., Xindian Dist., New Taipei City 231  
 TEL: +886-2-8912-4000, FAX: +886-2-8912-4005  
 Tech. and Non-Tech. Support (Sales/Marketing) : <https://esupport.gigabyte.com>  
 WEB address (English): <https://www.gigabyte.com>  
 WEB address (Chinese): <https://www.gigabyte.com/tw>

### Copyright

© 2024 GIGA-BYTE TECHNOLOGY CO., LTD. All rights reserved.  
 The trademarks mentioned in this manual are legally registered to their respective owners.

### Disclaimer

Information in this manual is protected by copyright laws and is the property of GIGABYTE.  
 Changes to the specifications and features in this manual may be made by GIGABYTE without prior notice.  
 No part of this manual may be reproduced, copied, translated, transmitted, or published in any form or by any means without GIGABYTE's prior written permission.  
 For product-related information, check on our website at: <https://www.gigabyte.com>



# GIGABYTE™