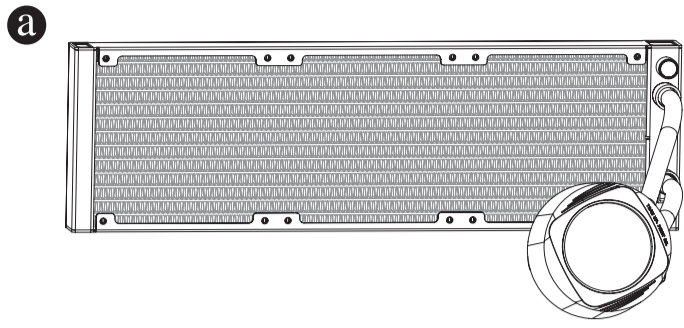
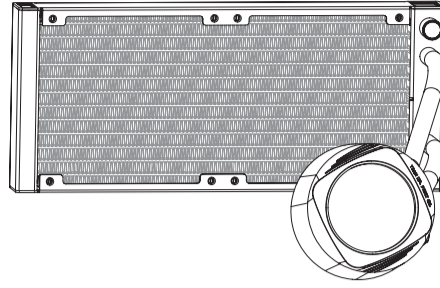


AORUS WATERFORCE X II Quick Installation Guide

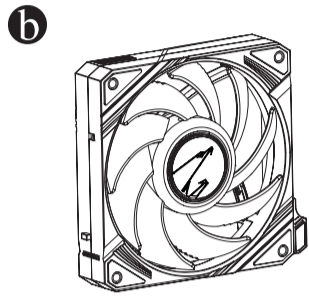
Package Contents:



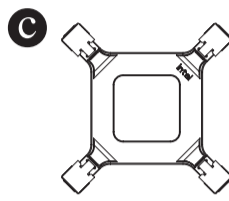
1 x AORUS WATERFORCE X II 360 ICE
1 x AORUS WATERFORCE X II 360



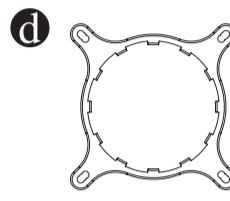
1 x AORUS WATERFORCE X II 240



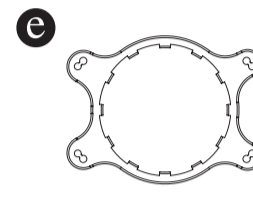
AORUS WATERFORCE X II 360 ICE:
3 x 12cm fans
AORUS WATERFORCE X II 360:
3 x 12cm fans
AORUS WATERFORCE X II 240:
2 x 12cm fans



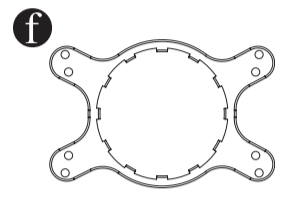
1 x Intel Backplate



1 x Intel Mounting Bracket



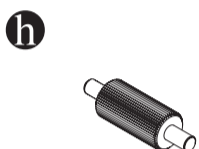
1 x AMD Mounting Bracket



1 x TR4/sTR4/sTR5
Mounting Bracket

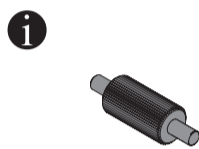


4 x Thumbscrew Caps



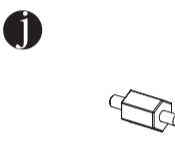
Length: 26.2mm / Color: Silver

4 x LGA 115x/1200/1366
Standoff Screws

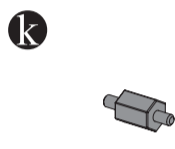


Length: 25.5mm / Color: Black

4 x LGA 1700
Standoff Screws

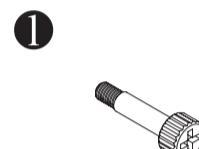


4 x AMD4 Standoff Screws



Color: Silver

4 x AMD5 Standoff Screws

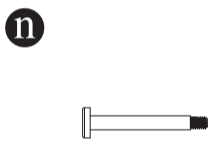


Color: Black

4 x TR4/sTR4/sTR5 Screws



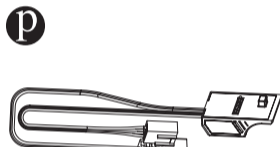
16 or 24 x Radiator Screws



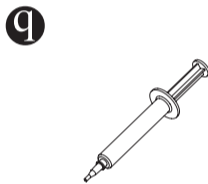
8 or 12 x Fan Screws



8 or 12 x Washers



1 x Fan Cable



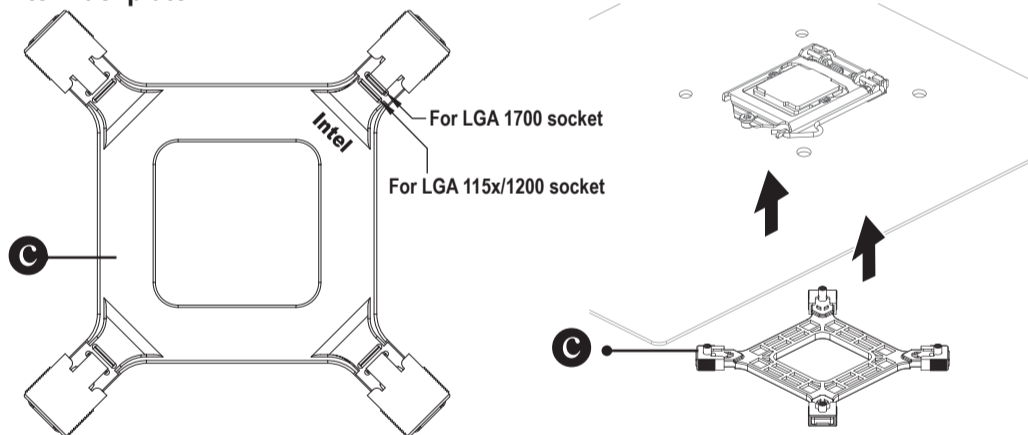
1 x Thermal Grease



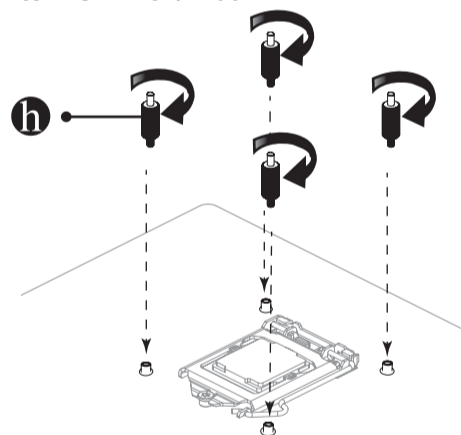
12QM-AWTX20-0NR

Installing the Mounting Bracket

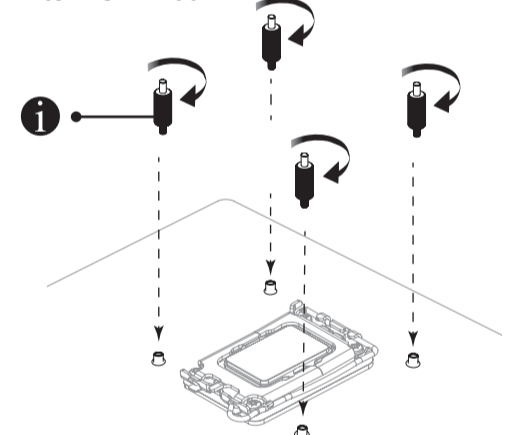
Intel Backplate



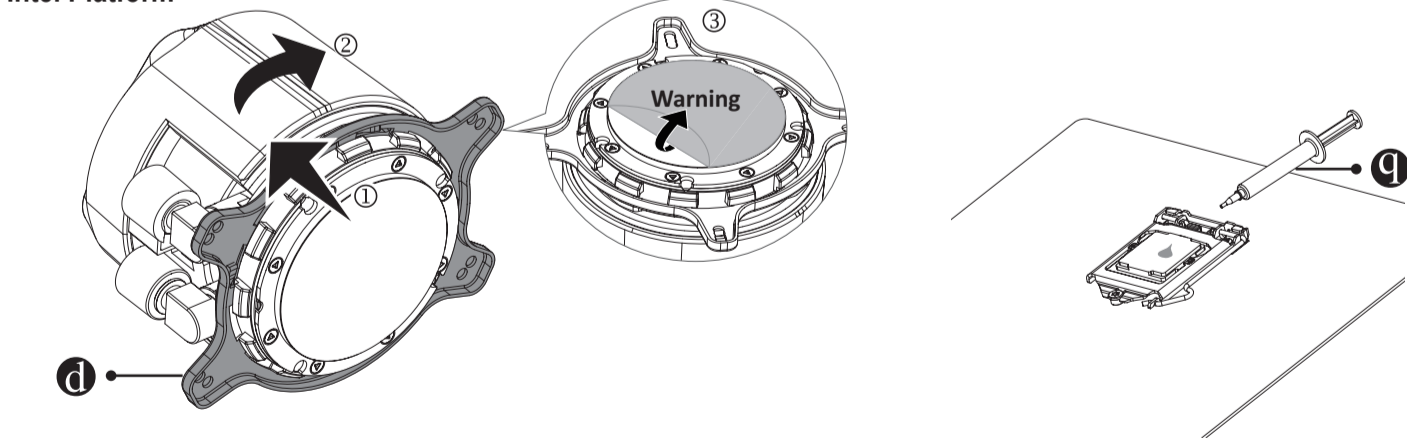
Intel LGA 115x/1200



Intel LGA 1700

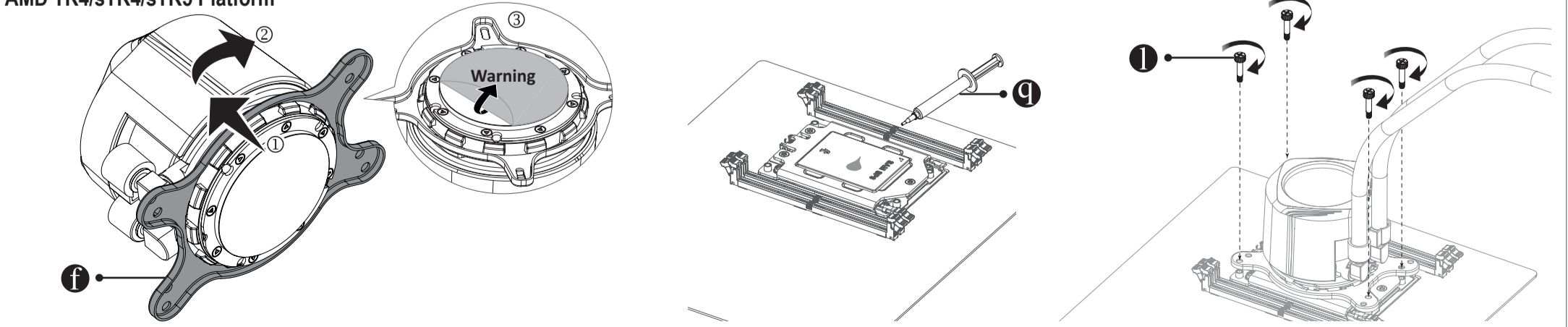


Intel Platform



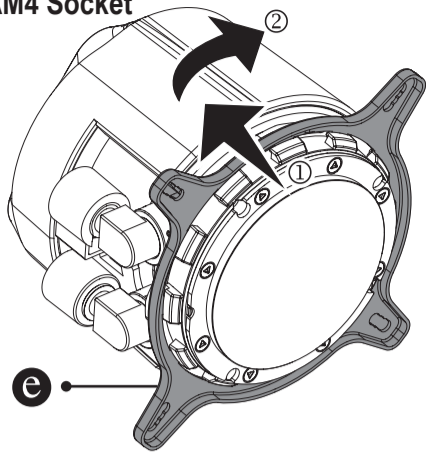
* To experience the best cooling performance, the tubes installation toward the DRAM or I/O is recommended.

AMD TR4/sTR4/sTR5 Platform

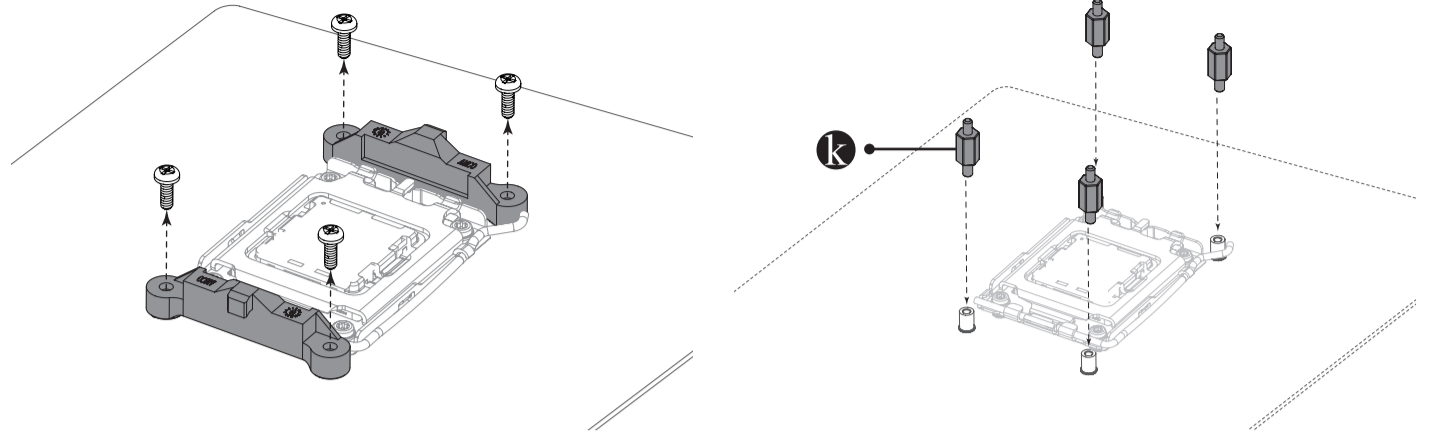


Installing the Mounting Bracket

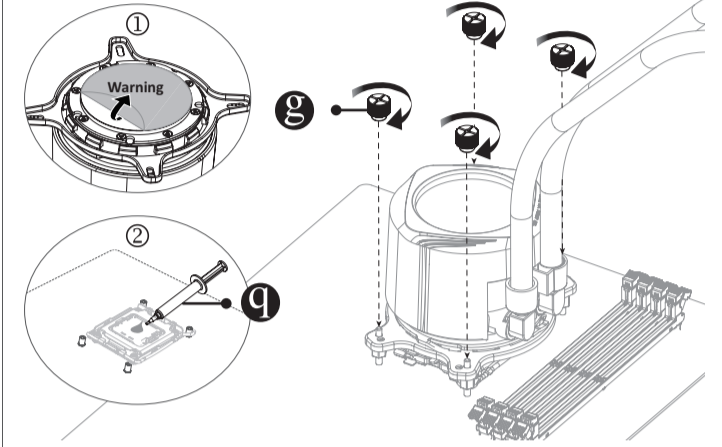
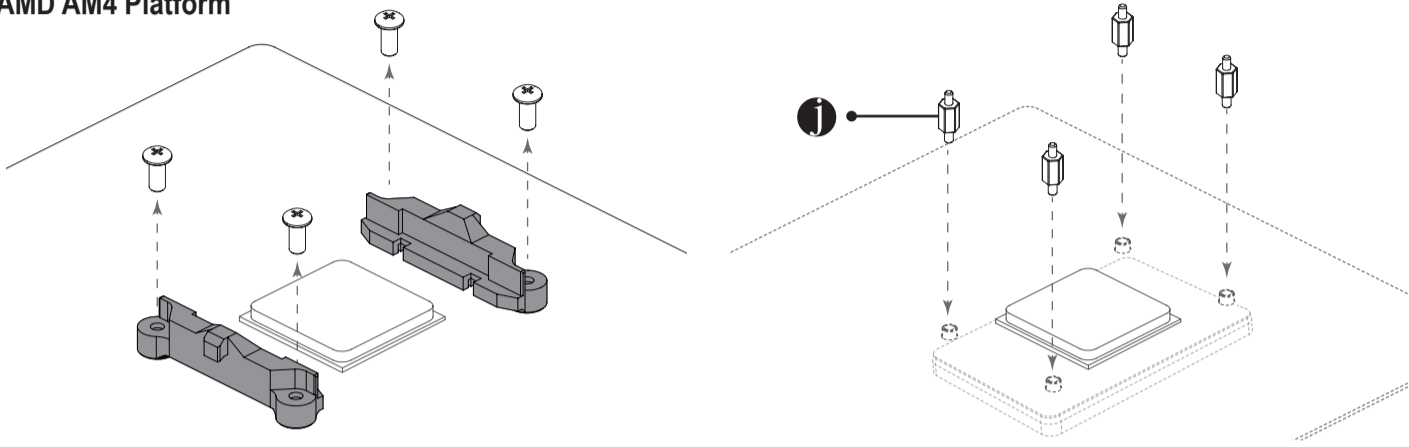
AMD AM5/AM4 Socket



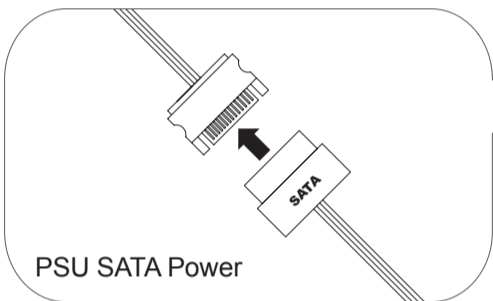
AMD AM5 Platform



AMD AM4 Platform

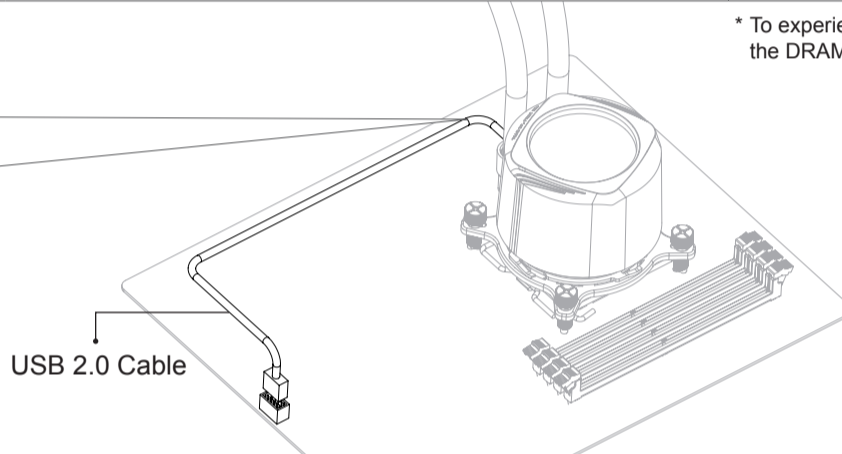


* To experience the best cooling performance, the tubes installation toward the DRAM or I/O is recommended.

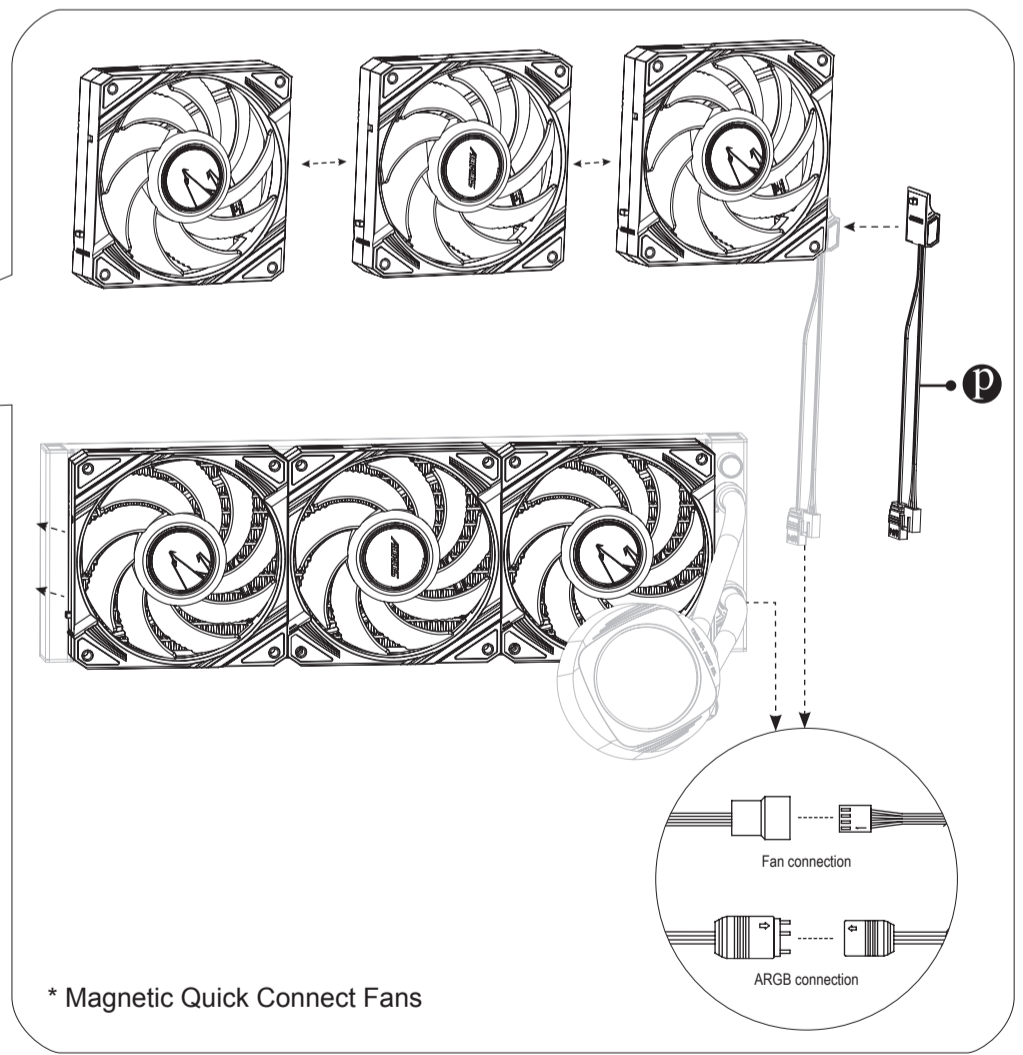
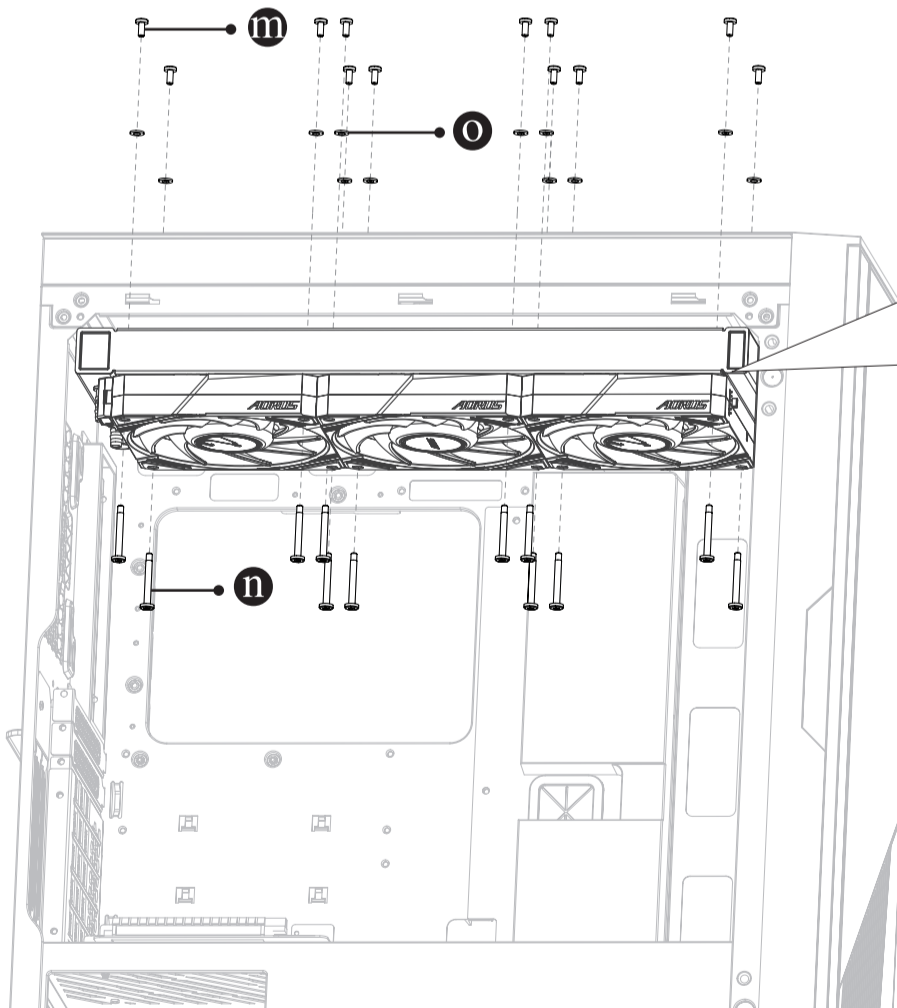


PSU SATA Power

USB 2.0 Cable



Cable Connection



* Magnetic Quick Connect Fans



Contact Us

GIGA-BYTE TECHNOLOGY CO., LTD.

Address: No.6, Baoqiang Rd., Xindian Dist., New Taipei City 231

TEL: +886-2-8912-4000, FAX: +886-2-8912-4005

Tech. and Non-Tech. Support (Sales/Marketing) : <https://esupport.gigabyte.com>

WEB address (English): <https://www.gigabyte.com>

WEB address (Chinese): <https://www.gigabyte.com/tw>

Copyright

© 2023 GIGA-BYTE TECHNOLOGY CO., LTD. All rights reserved.

The trademarks mentioned in this manual are legally registered to their respective owners.

Disclaimer

Information in this manual is protected by copyright laws and is the property of GIGABYTE.

Changes to the specifications and features in this manual may be made by GIGABYTE without prior notice.

No part of this manual may be reproduced, copied, translated, transmitted, or published in any form or by any means without GIGABYTE's prior written permission.

For product-related information, check on our website at: <https://www.gigabyte.com>

For product-related information, check on our website at: <https://www.gigabyte.com>



GIGABYTE™