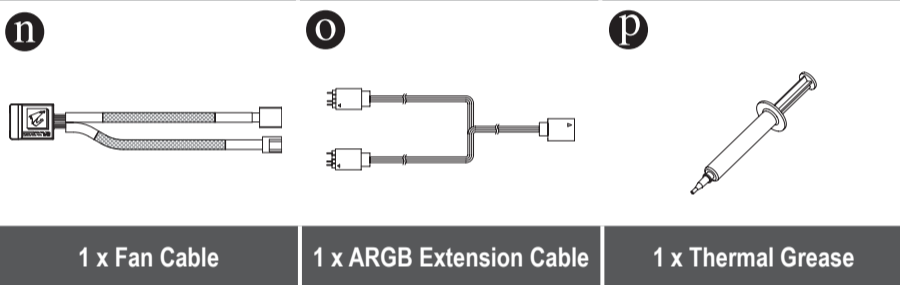
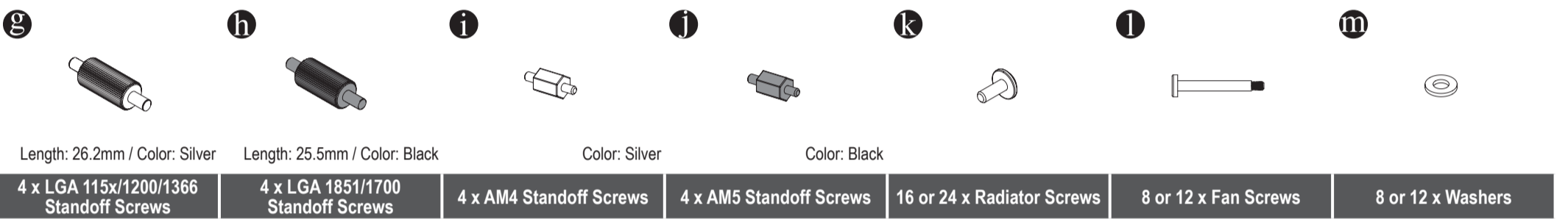
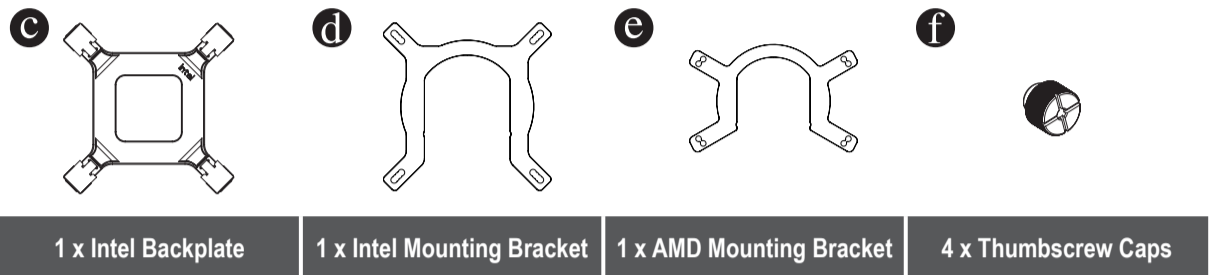
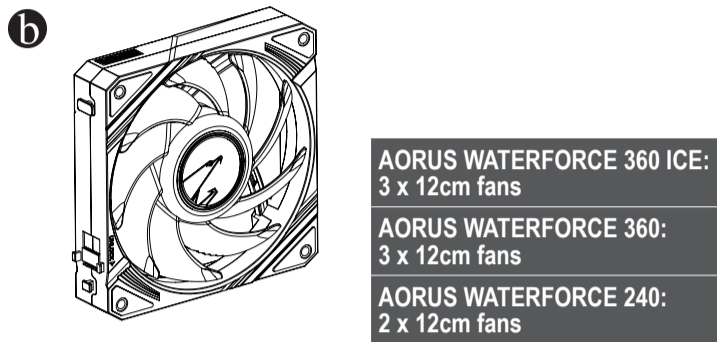
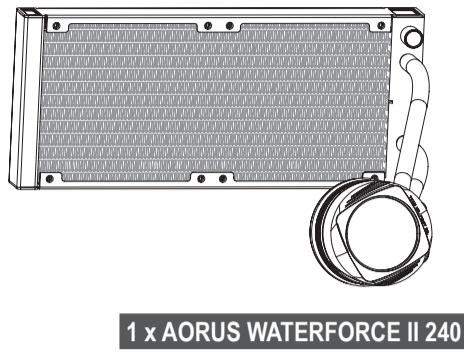
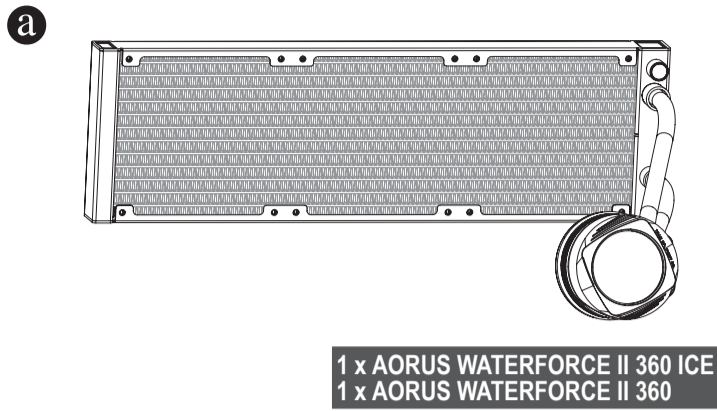
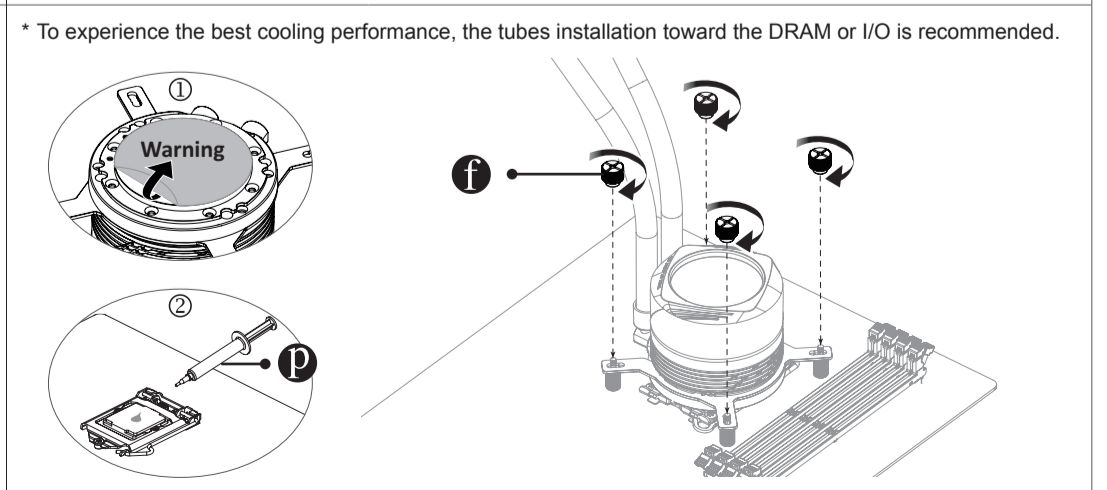
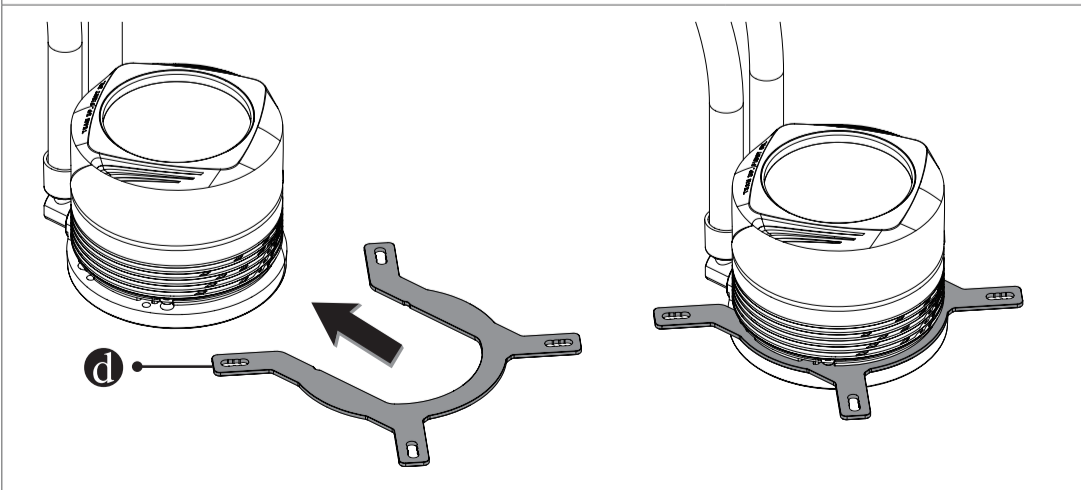
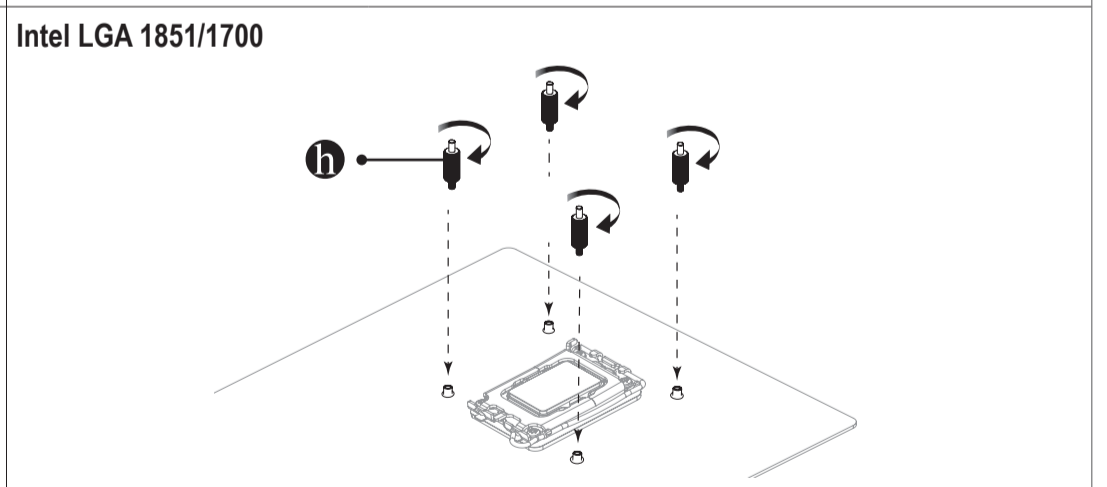
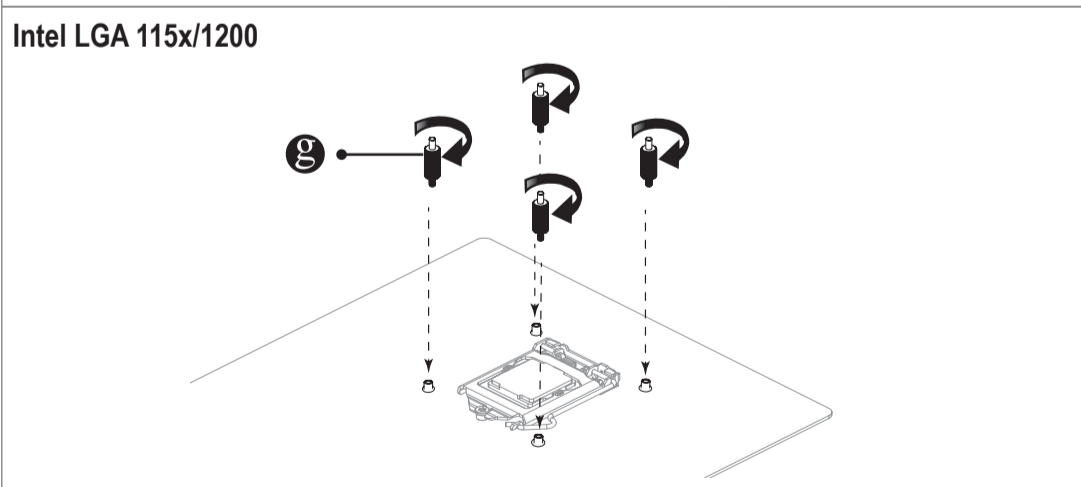
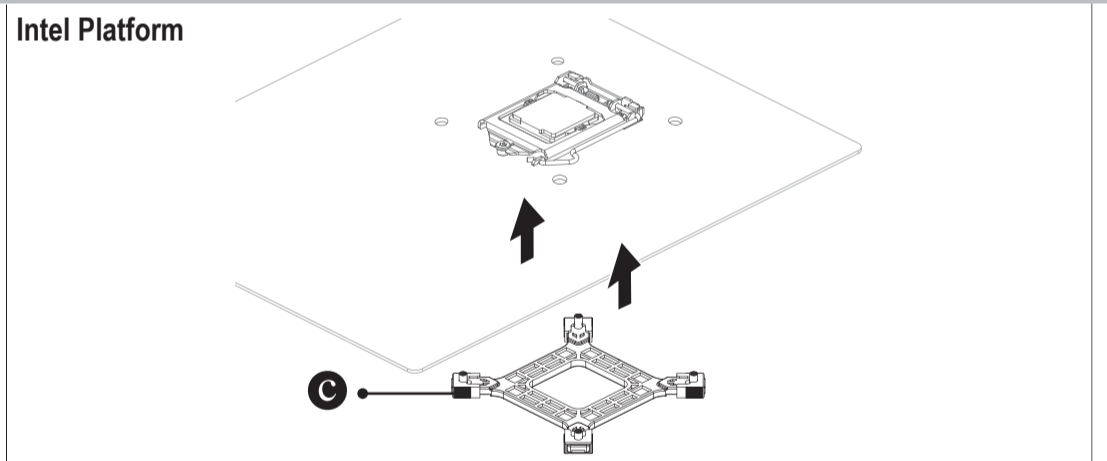
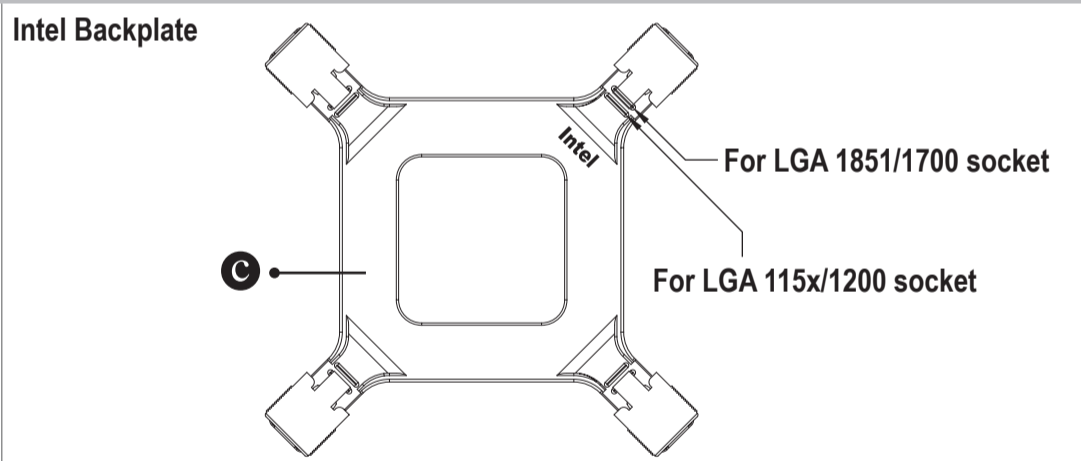


AORUS WATERFORCE II Quick Installation Guide

Package Contents:

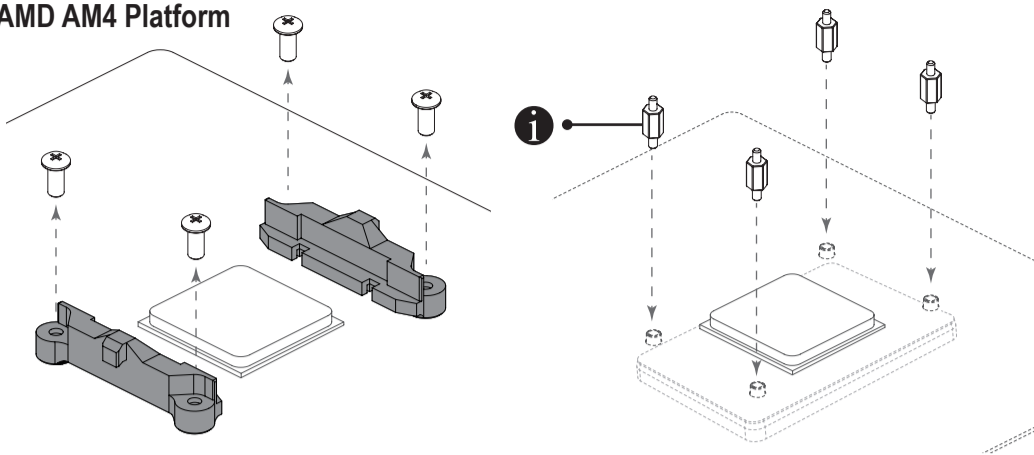


Installing the Mounting Bracket

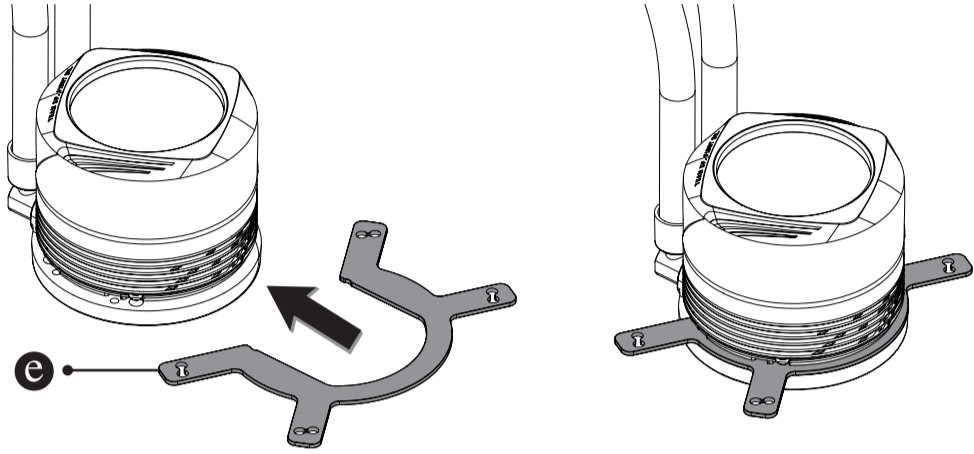
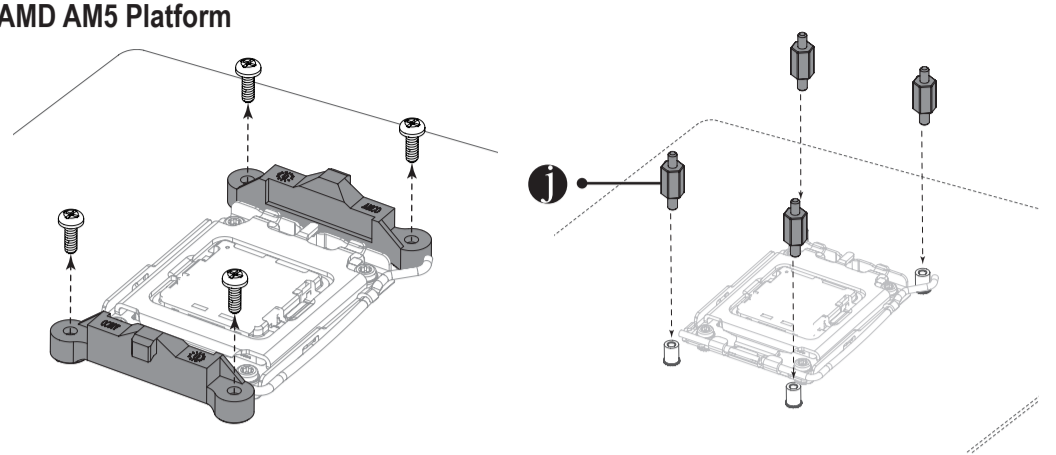


Installing the Mounting Bracket

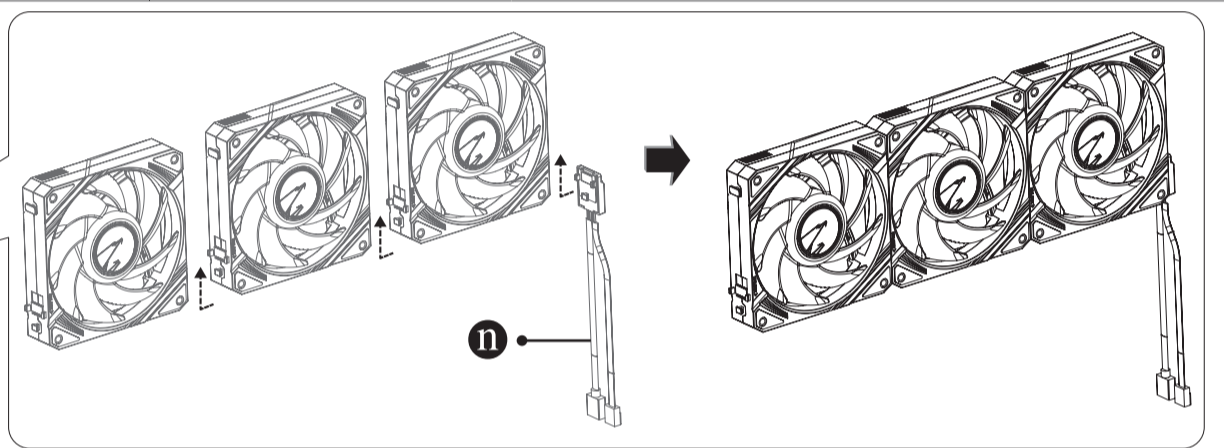
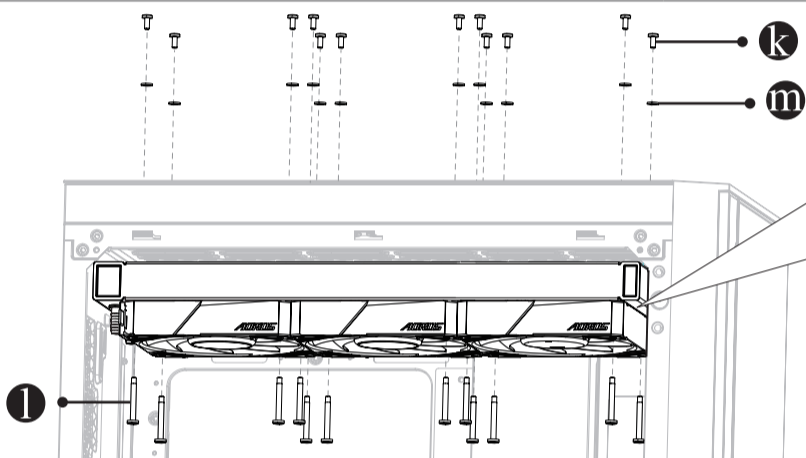
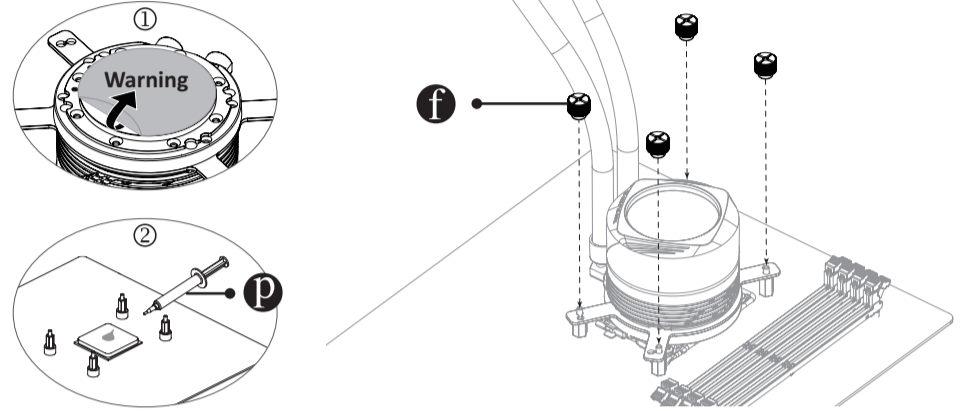
AMD AM4 Platform



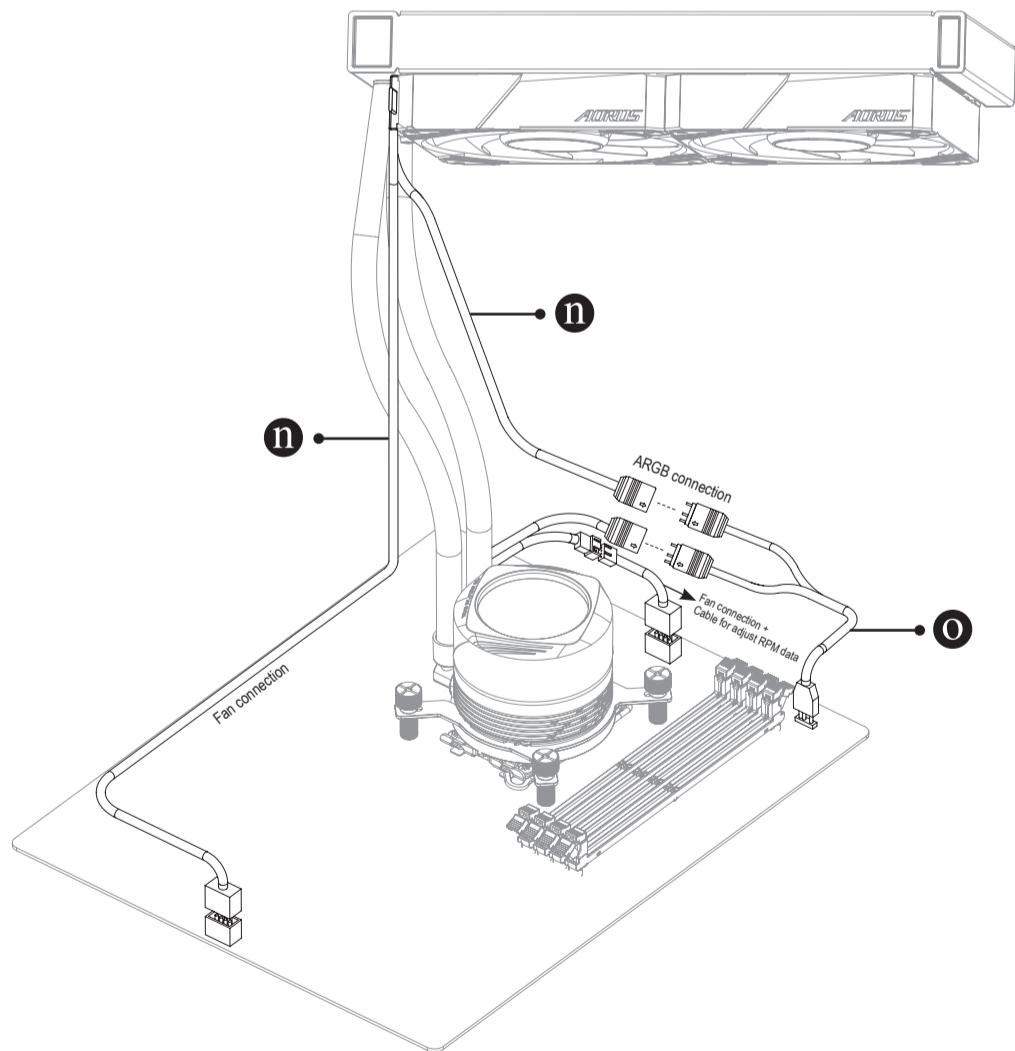
AMD AM5 Platform



* To experience the best cooling performance, the tubes installation toward the DRAM or I/O is recommended.



Cable Connection



Contact Us

GIGA-BYTE TECHNOLOGY CO., LTD.

Address: No.6, Baoqiang Rd., Xindian Dist., New Taipei City 231

TEL: +886-2-8912-4000, FAX: +886-2-8912-4005

Tech. and Non-Tech. Support (Sales/Marketing) : <https://esupport.gigabyte.com>

WEB address (English): <https://www.gigabyte.com>

WEB address (Chinese): <https://www.gigabyte.com/tw>

Copyright

© 2024 GIGA-BYTE TECHNOLOGY CO., LTD. All rights reserved.

The trademarks mentioned in this manual are legally registered to their respective owners.

Disclaimer

Information in this manual is protected by copyright laws and is the property of GIGABYTE.

Changes to the specifications and features in this manual may be made by GIGABYTE without prior notice.

No part of this manual may be reproduced, copied, translated, transmitted, or published in any form or by any means without GIGABYTE's prior written permission.

For product-related information, check on our website at: <https://www.gigabyte.com>



GIGABYTE™