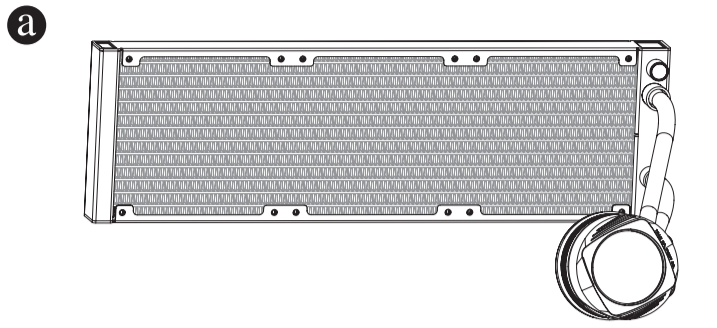
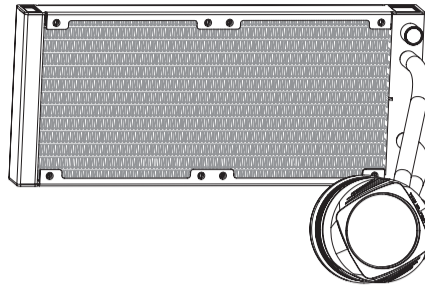


# AORUS WATERFORCE II Quick Installation Guide

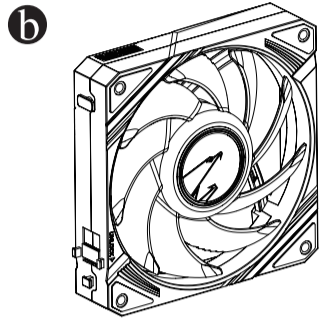
## Package Contents:



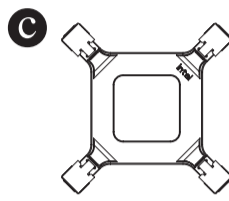
1 x AORUS WATERFORCE II 360 ICE  
1 x AORUS WATERFORCE II 360



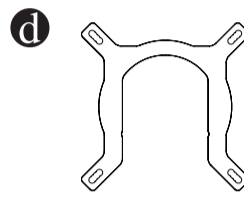
1 x AORUS WATERFORCE II 240



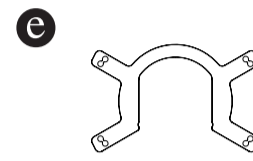
AORUS WATERFORCE 360 ICE:  
3 x 12cm fans  
AORUS WATERFORCE 360:  
3 x 12cm fans  
AORUS WATERFORCE 240:  
2 x 12cm fans



1 x Intel Backplate



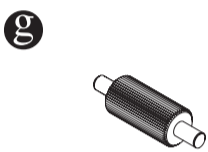
1 x Intel Mounting Bracket



1 x AMD Mounting Bracket

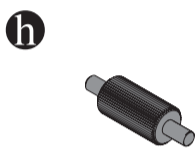


4 x Thumbscrew Caps



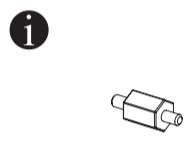
Length: 26.2mm / Color: Silver

4 x LGA 115x/1200/1366 Standoff Screws



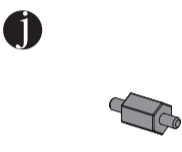
Length: 25.5mm / Color: Black

4 x LGA 1700 Standoff Screws



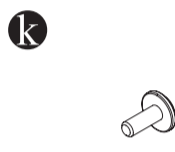
Color: Silver

4 x AM4 Standoff Screws

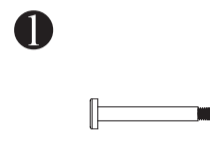


Color: Black

4 x AM5 Standoff Screws



16 or 24 x Radiator Screws

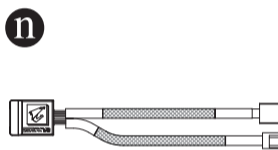


8 or 12 x Fan Screws

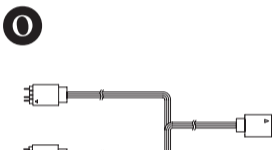
8 or 12 x Washers



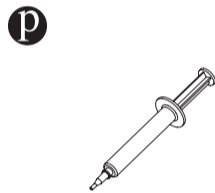
8 or 12 x Washers



1 x Fan Cable



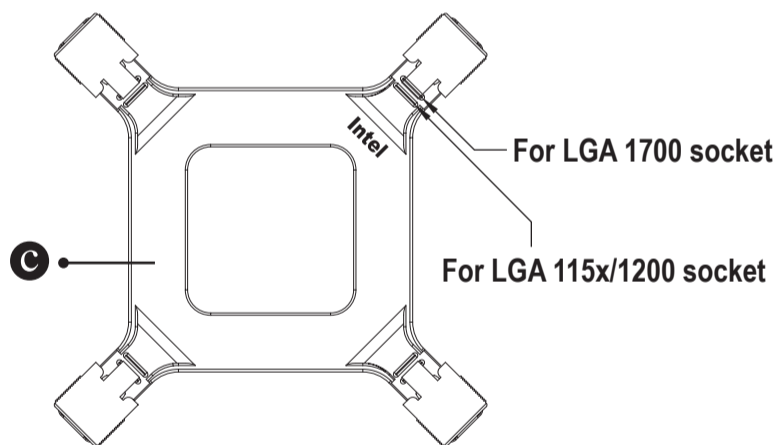
1 x ARGB Extension Cable



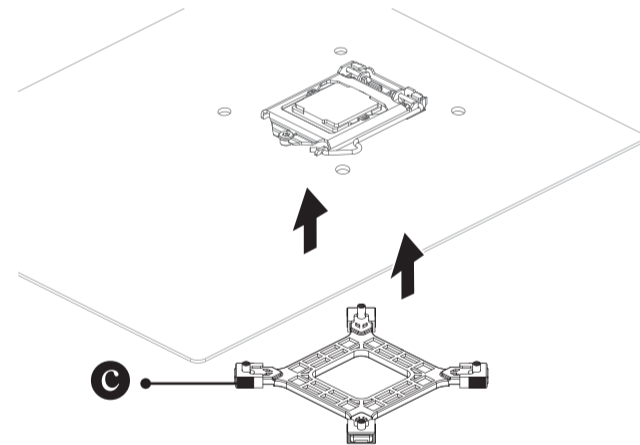
1 x Thermal Grease

## Installing the Mounting Bracket

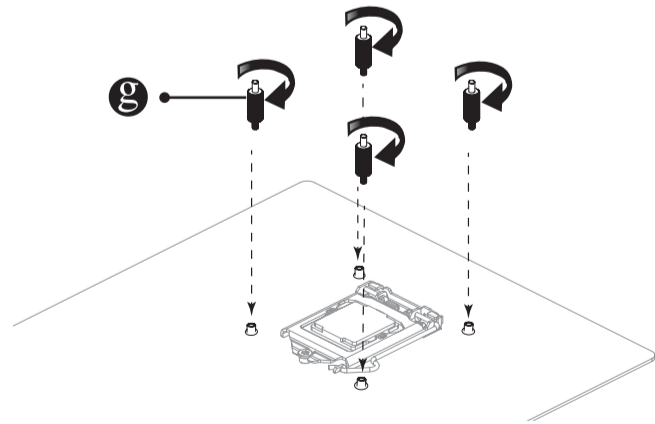
### Intel Backplate



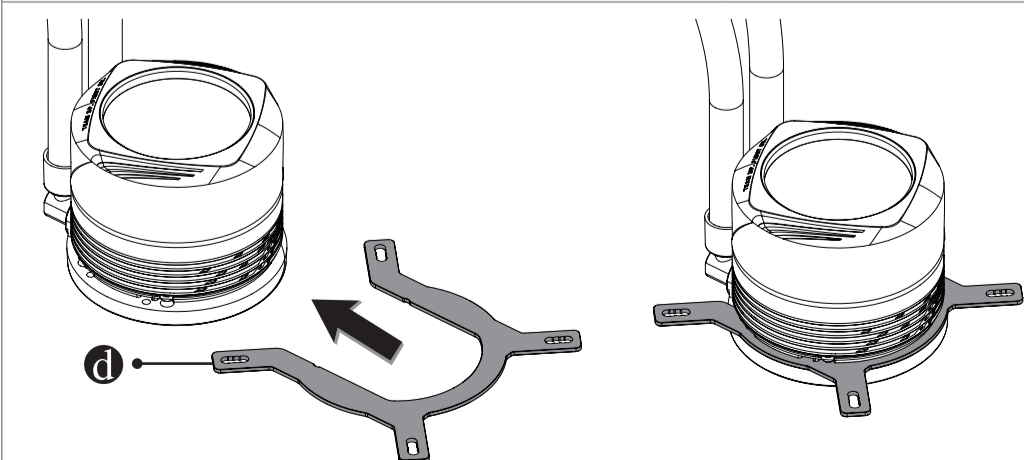
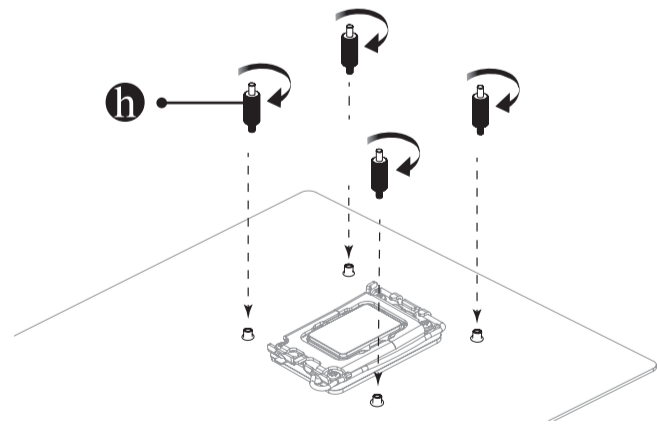
### Intel Platform



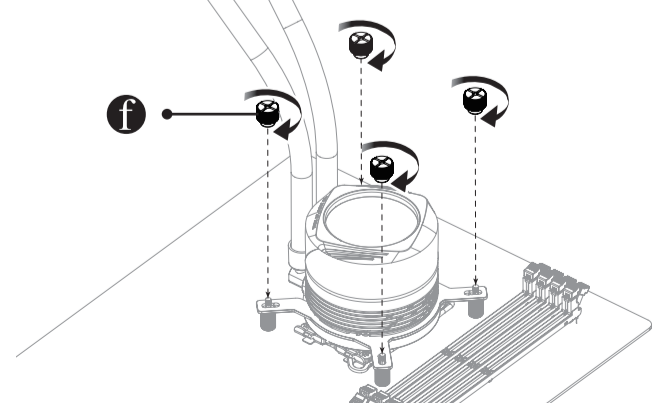
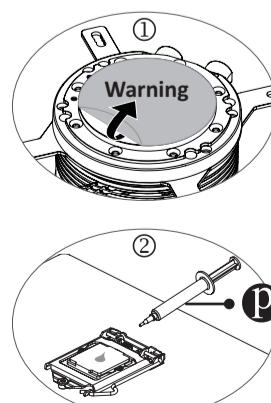
### Intel LGA 115x/1200



### Intel LGA 1700

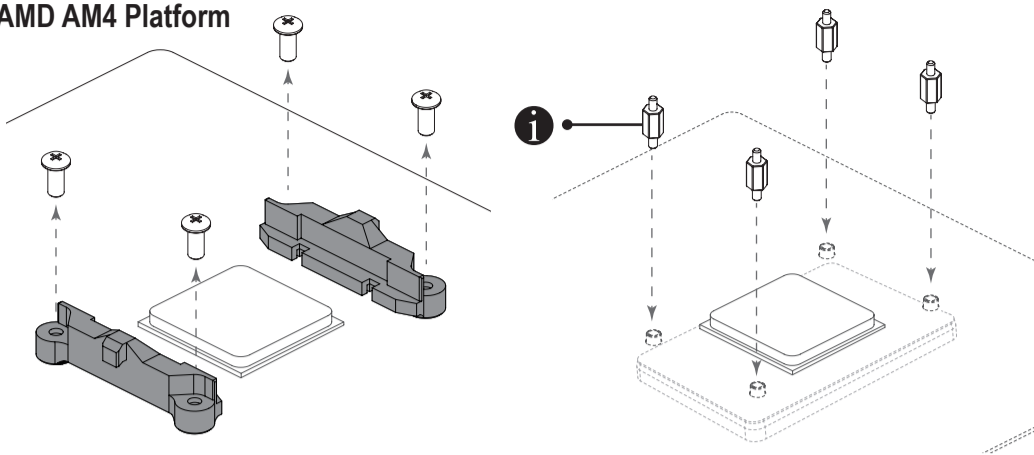


\* To experience the best cooling performance, the tubes installation toward the DRAM or I/O is recommended.

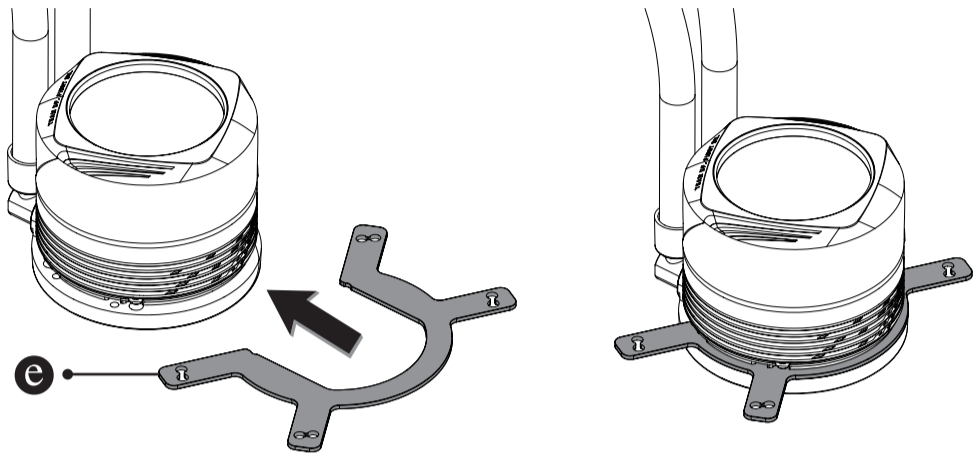
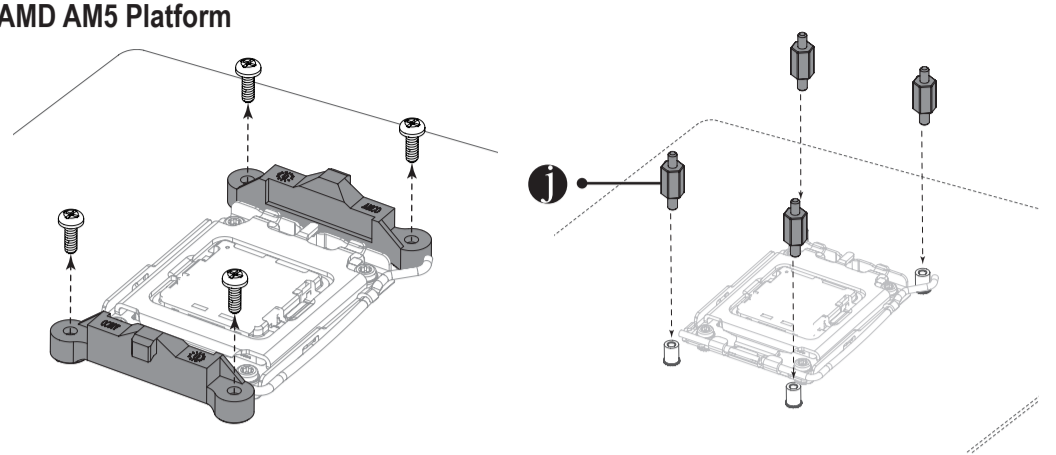


# Installing the Mounting Bracket

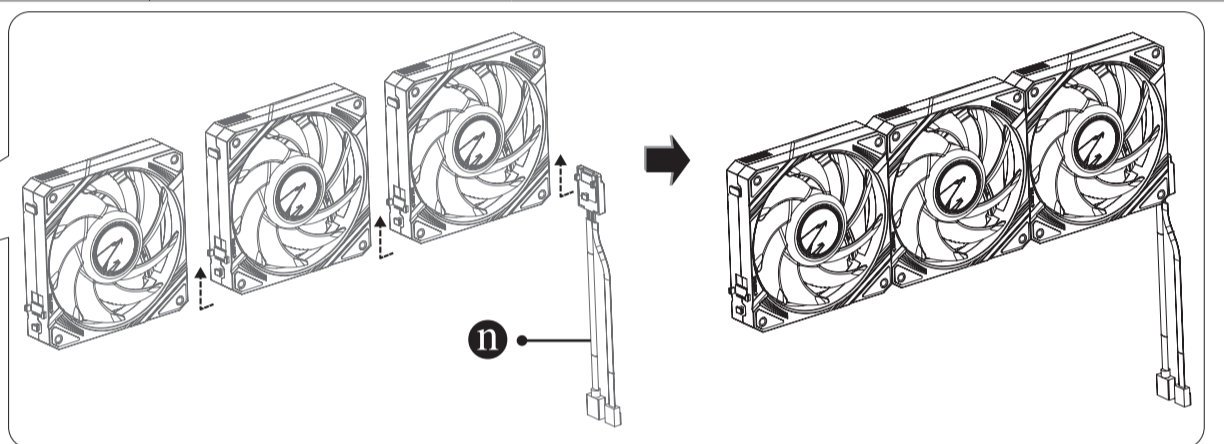
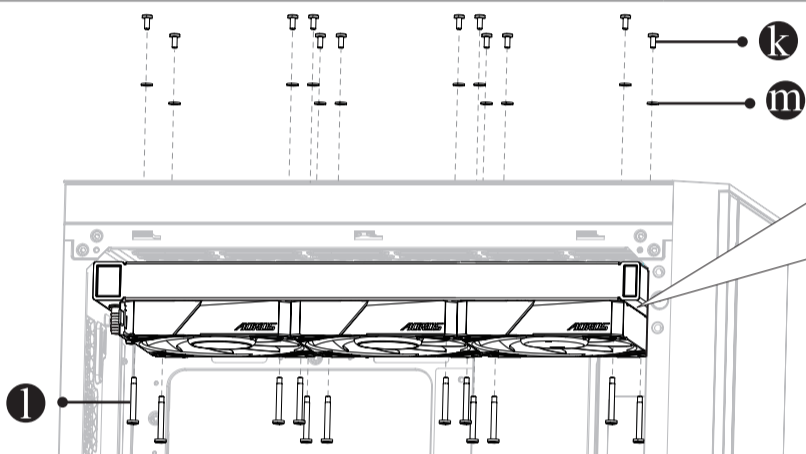
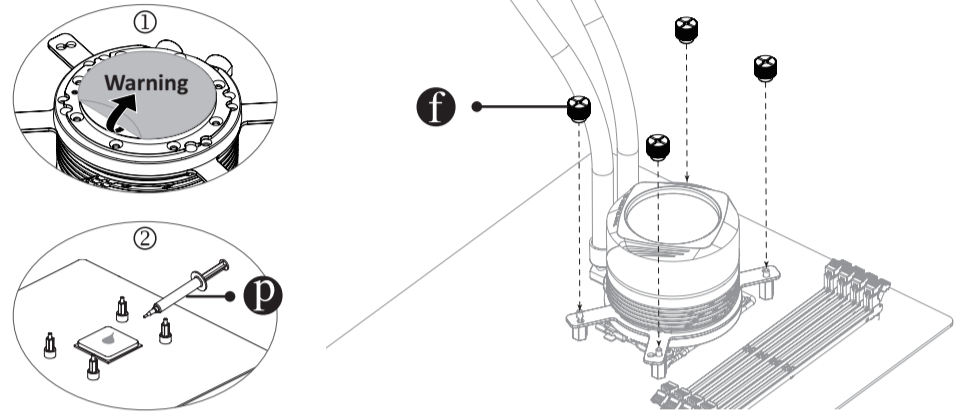
## AMD AM4 Platform



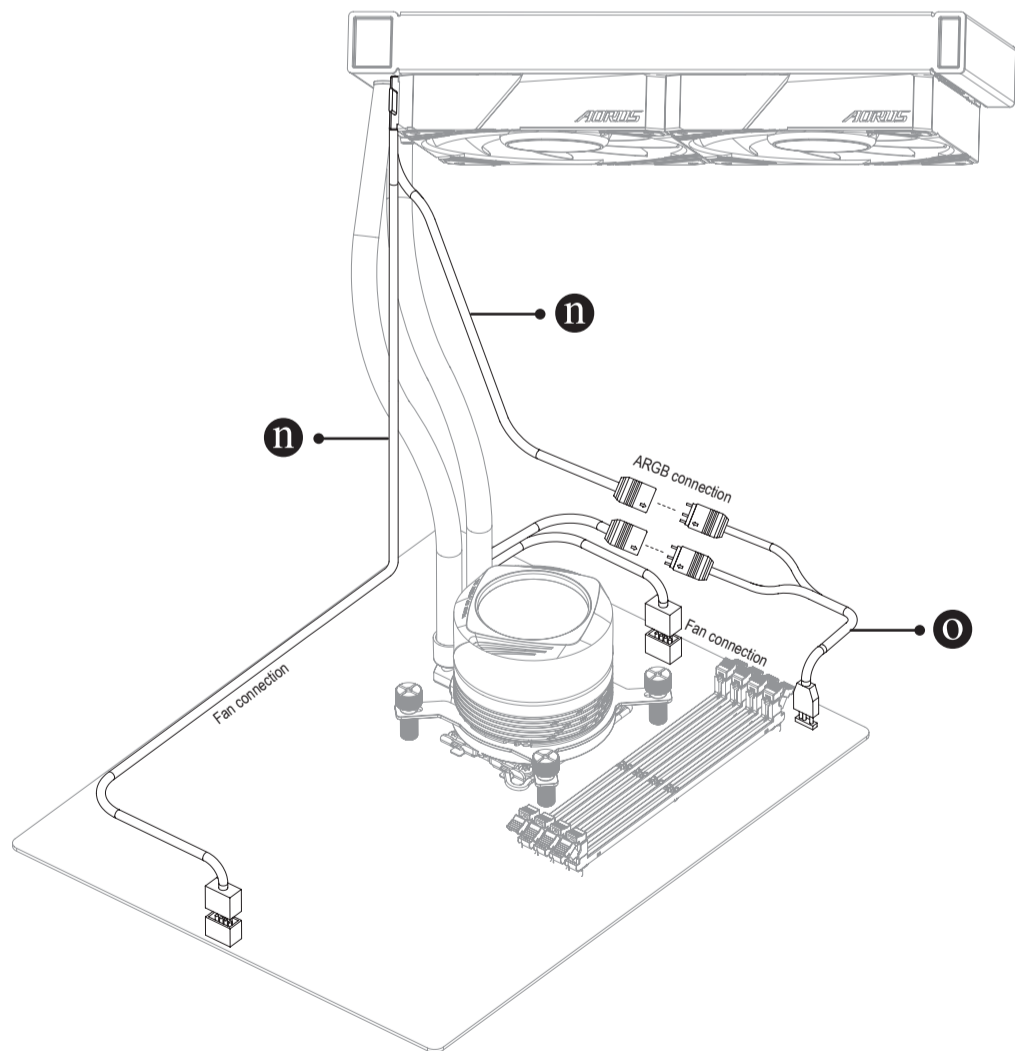
## AMD AM5 Platform



\* To experience the best cooling performance, the tubes installation toward the DRAM or I/O is recommended.



# Cable Connection



## Contact Us

**GIGA-BYTE TECHNOLOGY CO., LTD.**

Address: No.6, Baoqiang Rd., Xindian Dist., New Taipei City 231

TEL: +886-2-8912-4000, FAX: +886-2-8912-4005

Tech. and Non-Tech. Support (Sales/Marketing) : <https://esupport.gigabyte.com>

WEB address (English): <https://www.gigabyte.com>

WEB address (Chinese): <https://www.gigabyte.com/tw>

## Copyright

© 2023 GIGA-BYTE TECHNOLOGY CO., LTD. All rights reserved.

The trademarks mentioned in this manual are legally registered to their respective owners.

## Disclaimer

Information in this manual is protected by copyright laws and is the property of GIGABYTE.

Changes to the specifications and features in this manual may be made by GIGABYTE without prior notice.

No part of this manual may be reproduced, copied, translated, transmitted, or published in any form or by any means without GIGABYTE's prior written permission.

For product-related information, check on our website at: <https://www.gigabyte.com>



**GIGABYTE™**