


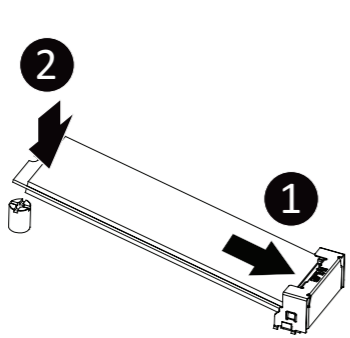


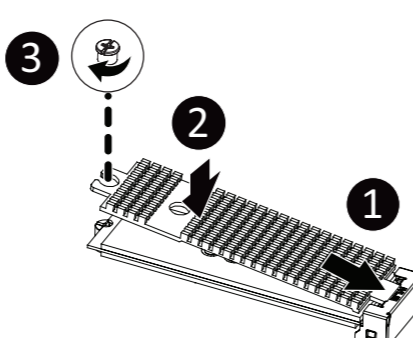
## B) M.2 SSD: How to Install the M.2 2280 SSD

M.2 SSD: Installation der M.2 2280 SSD / SSD M.2 : Comment installer le SSD M.2 2280 / SSD M.2: Como instalar el SSD M.2 2280 / M.2 SSD: Como instalar o M.2 2280 SSD / SSD M.2: Come installare l'SSD M.2 2280 / M.2 SSD: Установка модуля M.2 2280 SSD / M.2 SSD: Instalacja dysku SSD M.2 2280 / M.2 SSD: M.2 2280 SSD nasıl yüklenir / M.2 SSD : M.2 2280 SSD 安裝方式 / M.2 SSD: 如何安裝 M.2 2280 SSD / M.2 SSD : M.2 2280 SSDのインストール方法 / M.2 SSD: M.2 2280 SSD 설치 방법

- Remove the small screw secured to the M.2 SSD slot B screw hole.  
取下 M.2 SSD B 插槽螺絲孔上的螺絲。


- Carefully insert the M.2 SSD into slot B.  
小心地把 M.2 SSD 裝入 B 插槽。

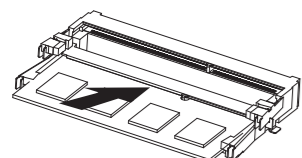

- Insert the tab on the thermal plate into the slit near the connector, then secure the thermal plate and M.2 SSD in place with the previously removed screw.  
把散熱片裝入插槽旁邊的缺口，然後用之前取下的螺絲將 M.2 SSD 與散熱片固定。

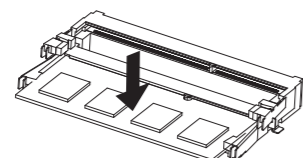


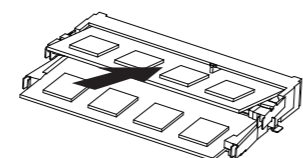
## C) Memory Installation: SO-DIMM DDR4

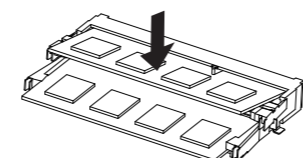
Arbeitsspeicher Installation: SO-DIMM DDR4 / Installation de la mémoire : SO-DIMM DDR4 / Instalación de la memoria: SO-DIMM DDR4 / Instalação de memória: SO-DIMM DDR4 / Installazione della memoria: SO-DIMM DDR4 / Установка модулей памяти: SO-DIMM DDR4 / Instalacja pamięci: SO-DIMM DDR4 / Hafıza Yüklemesi: SO-DIMM DDR4 / 安裝記憶體：SO-DIMM DDR4 / 内存安装：SO-DIMM DDR4 / 메모리인스톨：SO-DIMM DDR4 / 메모리 설치: SO-DIMM DDR4

- Carefully insert SO-DIMM memory modules.  
小心並由下至上安裝 SO-DIMM 記憶體於記憶體插槽。


- Push down until the modules click into place.  
當記憶體固定於插槽後，再輕輕下壓至定點。


- Carefully insert SO-DIMM memory modules.  
安裝下層記憶體後，重覆前述動作安裝上層記憶體。

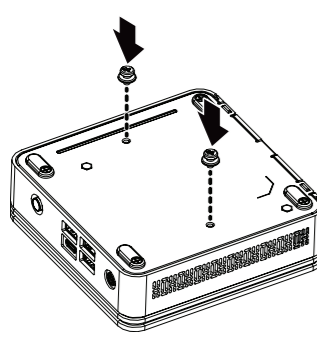

- Push down until the modules click into place.  
當記憶體固定於插槽後，再輕輕下壓至定點。

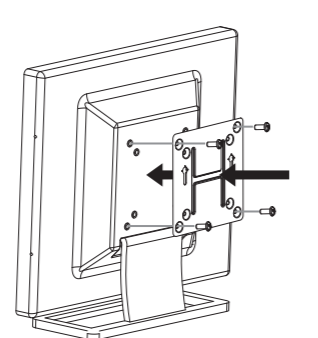


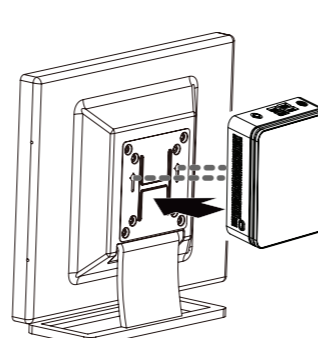
## VESA Bracket

VESA Halterung / Support VESA / Soporte VESA / Suporte VESA / Staffa VESA / Кронштейн VESA / Wspornik VESA / VESA Braketi / VESA 支架 / VESA 支架 / VESA ブラケット / VESA 브래킷  
NOTE! VESA screws: Length 5.0 mm with M3 type screws, Metal enclosure with bottom side.

- Attach the screws provided on the underside of the BRIX.  
安裝隨附的 VESA 支撐架螺絲於 BRIX 底部。


- Attach the VESA mounting plate to the rear of a compatible display using the screws provided.  
安裝隨附的 VESA 支撐架於支援 VESA 支撐架的電腦螢幕或電視機後背。

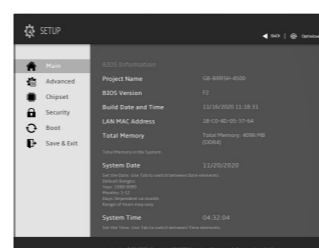

- The BRIX can now be mounted by sliding the device into place.  
將已安裝 VESA 支撐架螺絲的 BRIX 插入 VESA 支撐架的滑軌孔，向下壓至定位點後即可固定。

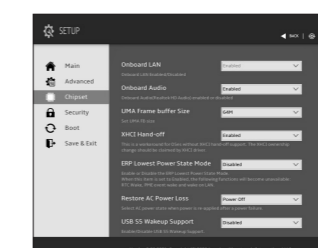


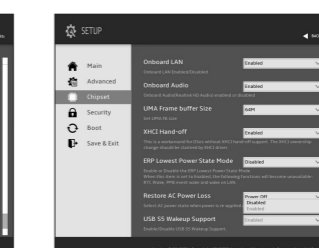
## USB Power On Function: Allows Device Power-on Via USB. Useful When Mounted Behind a Display or TV

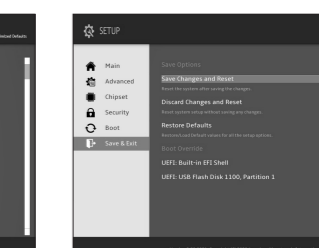
USB Power On Funktion / Fonction Démarrage par USB / Función USB Power On / Função USB Power On / Funzione USB Power On / Функция USB Power On / Opcja USB Power On / USB Güç Açık Fonksiyonu / USB 埠啟動功能  
USB 接口启动功能 / USB 機器からの電源 ON 機能 / USB 포트를 이용한 전원 켜기

- Press “Del” during device start up to enter BIOS.  
開機後按啟 Del 鍵進入 BIOS 設定畫面。


- Select “Chipset” from the menu.  
在 BIOS 主選單選取 “Chipset”。


- Manually configure “USB S5 Wakeup Support” settings to “Enable”.  
進入 Chipset 的 USB S5 Wakeup Support 選項，手動控制將其 “Enable”。


- Press F4 to Save and Exit.  
按啟 F4 存儲設定並離開 BIOS 選單重新開機。



NOTE: ‘USB Power On’ functionality in Windows requires an additional Windows patch. This is provided on GIGABYTE’s official website labeled ‘USB Power-On Patch’. Your GIGABYTE BRIX can be powered on via a connected USB device such as a keyboard or mouse, offering greater convenience when mounted behind a display or monitor.  
注意：在 Windows 的版本環境下需要額外的應用程式來啟動 “USB Power On” 功能。你可以透過技嘉官網的產品支援與更新下載 “USB Power-On Patch” 來執行。USB Power On 提供了方便的開機功能，使用者可以透過連接到 BRIX 上的 USB 裝置啟動 BRIX；讓安裝於顯示器後方的 BRIX 更方便使用。

單元 Unit	限用物質及其化學符號 Restricted substances and its chemical symbols					
	鉛 Lead (Pb)	汞 Mercury (Hg)	鎘 Cadmium (Cd)	六價鉻 Hexavalent chromium (Cr <sup>+6</sup> )	多溴聯苯 Polybrominated biphenyls (PBB)	多溴二苯醚 Polybrominated diphenyl ethers (PBDE)
電路板總成	—	○	○	○	○	○
散熱器	○	○	○	○	○	○
外殼	—	○	○	○	○	○
電源供應器	—	○	○	○	○	○
線材	—	○	○	○	○	○

備考 1. “超出 0.1 wt %” 及 “超出 0.01 wt %” 係指限用物質之百分比含量超出百分比含量基準值。  
Note 1 : “Exceeding 0.1 wt %” and “exceeding 0.01 wt %” indicate that the percentage content of the restricted substance exceeds the reference percentage value of presence condition.

備考 2. “○” 係指該項限用物質之百分比含量未超出百分比含量基準值。  
Note 2 : “○” indicates that the percentage content of the restricted substance does not exceed the percentage of reference value of presence.

備考 3. “—” 係指該項限用物質為排除項目。  
Note 3 : The “—” indicates that the restricted substance corresponds to the exemption.