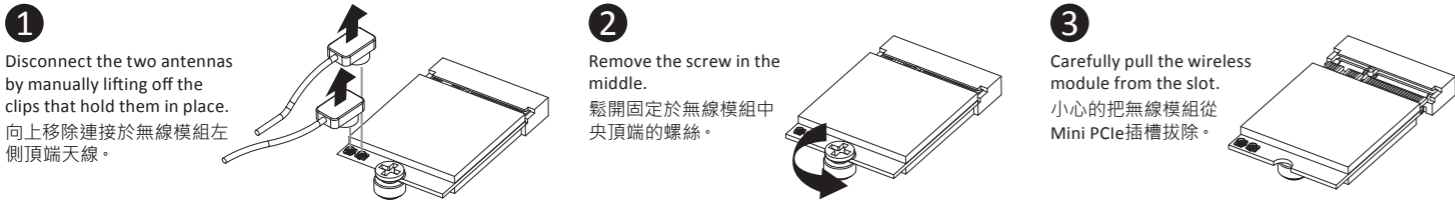


A) Wireless Module: How to Safely Remove the Module

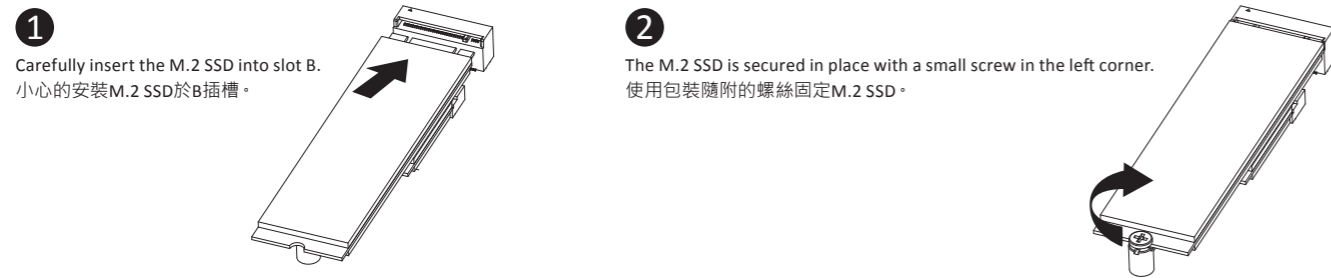
Wireless-Modul: Das sichere entfernen des Moduls / Module sans fil : Comment retirer le module en toute sécurité / Módulo inalámbrico: Cómo eliminar de forma segura el módulo
 Módulo Wireless: Como remover o módulo com segurança / Modulo Wireless: Come rimuovere con sicurezza il modulo
 Модуль беспроводной связи: Как безопасно удалить модуль / Moduł bezprzewodowy: Jak bezpiecznie usunąć moduł / Kablosuz Modülü : Modülü Nasıl Güvenli Kaldırabilirim
 移除隨機搭配的無線模組 / 移除随机搭配的无线模块 / ワイヤレスモジュール:安全にモジュールを取り外す方法 / 무선 모듈: 모듈을 안전하게 제거하는 방법



依據低功率電波輻射性電機管理辦法【第十二條】經型式認證合格之低功率射頻電機，非經許可公司、商號或使用者均不得擅自變更頻率、加大功率或變更原設計之特性及功能。【第十四條】低功率射頻電機之使用不得影響飛航安全及干擾合法通信；經發現有干擾現象時，應立即停用，並改善至無干擾時方得繼續使用。前項合法通信指依電信法規定作業之無線電通信。低功率射頻電機須忍受合法通信或工業、科學及醫療用電波輻射性電機設備之干擾。」

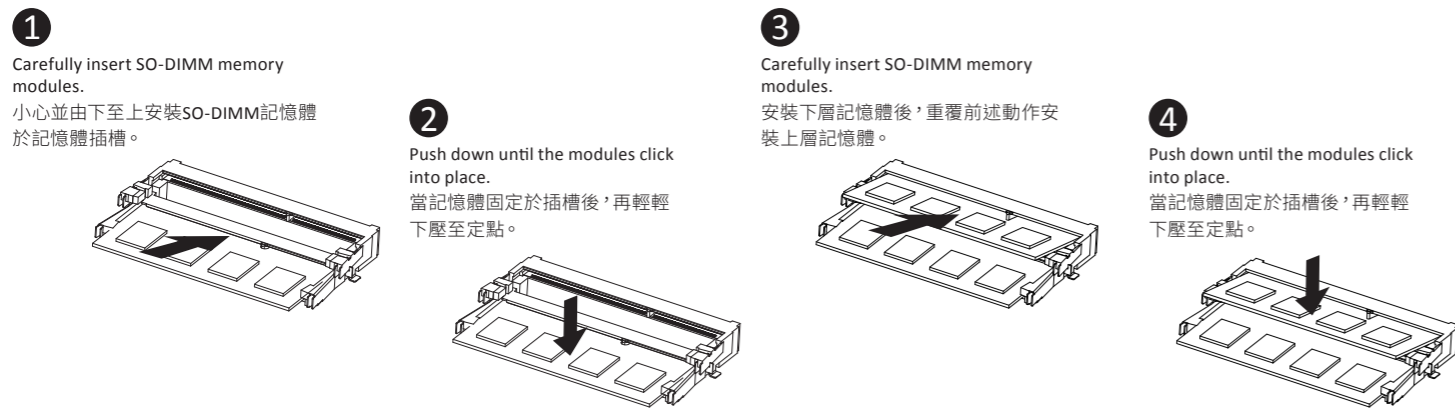
B) M.2 SSD: How to Install the M.2 2280 SSD

M.2 SSD: Wie Sie die M.2 SSD installieren / SSD M.2: Comment l'installer / M.2 SSD: Cómo instalar SSD M.2 / SSD M.2: Como instalar o SSD M.2 / M.2 SSD: Come installare un'unità M.2 SSD
 Накопитель M.2 SSD: Порядок установки накопителя M.2 SSD / M.2 SSD: Jak zainstalować M.2 SSD / M.2 SSD: M.2 SSD nasıl kurulum yapılır / 如何安裝M.2 SSD / 如何安裝M.2 SSD
 M.2 SSD : M.2 SSD의取り付け方法 / M.2 SSD : M.2방식 SSD을 설치하는 방법



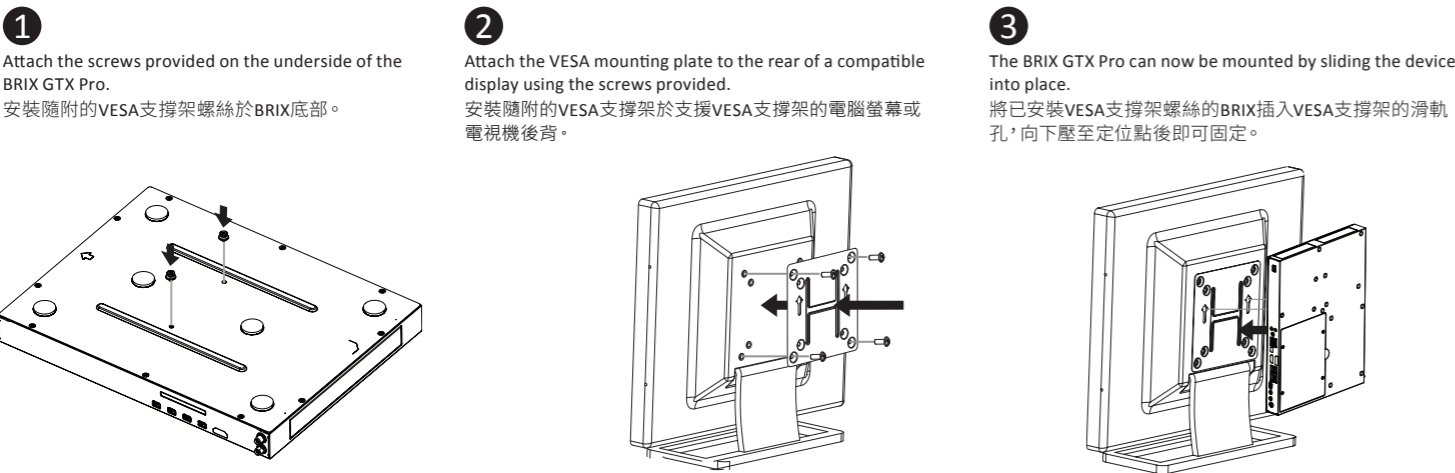
C) Memory Installation: SO-DIMM DDR4

Arbeitsspeicher Installation DDR4 / Installation de la mémoire DDR4 / Instalación de la Memoria DDR4 / Instalação da memória DDR4 / Installazione Memoria DDR4 / Установка модулей ОЗУ DDR4
 Instalacja pamięci DDR4 / Bellek Yerleştirilmesi DDR4 / 安裝記憶體 / 安裝内存 / メモリの増設方法 DDR4 / 메모리 설치 DDR4



VESA Bracket

VESA-Halterung / Support VESA / soporte VESA / Suporte VESA / Staffa VESA / Крепление VESA / Uchwyt VESA / VESA Desteği / VESA支架 / VESA支架 / VESA対応ブラケット / VESA 브래킷



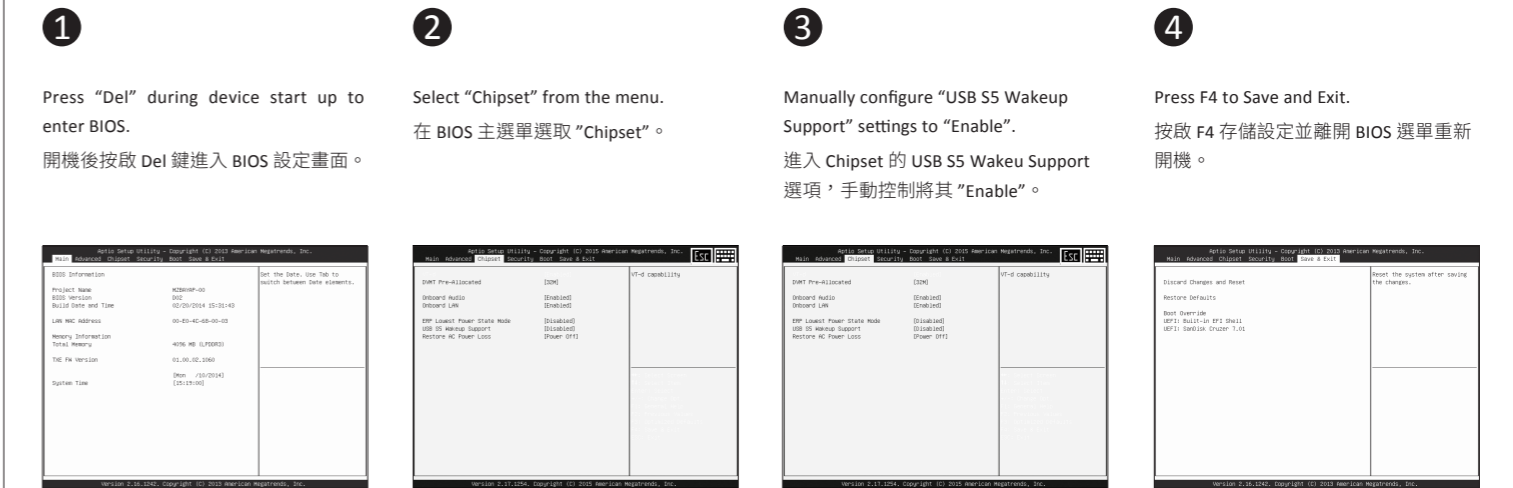
USB Power On Function: Allows Device Power-on Via USB. Useful When Mounted Behind a Display or TV

USB Power On Funktion / Fonction Démarrage par USB / Función USB Power On

Função USB Power On / Funzione USB Power On / Функция USB Power On

Opcja USB Power On / USB Güç Açık Fonksiyonu / USB埠啟動功能

USB接口启动功能 / USB機器からの電源ON機能 / USB 포트를 이용한 전원 켜기



System Requirements

- Win 7
- Win 8.x or above version (Install utility required)

系統需求

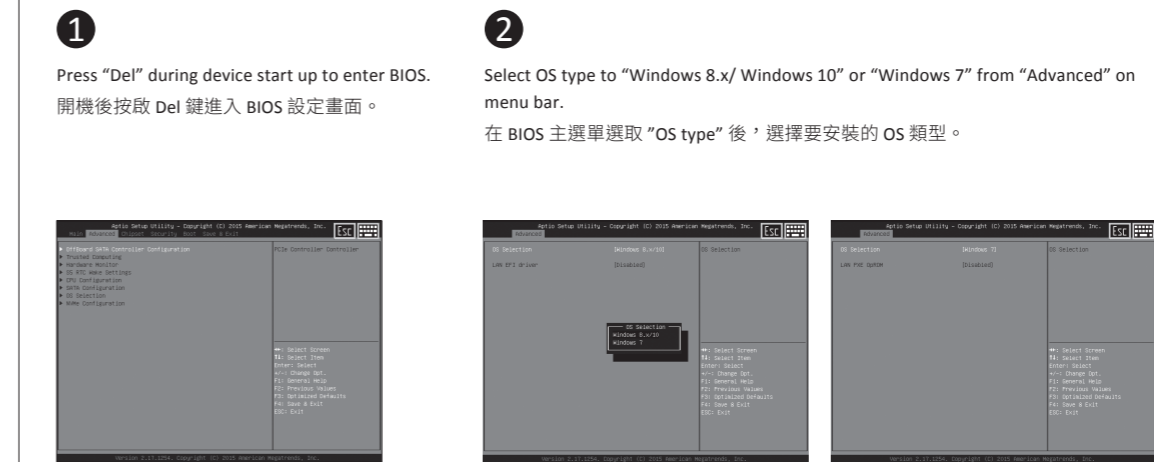
- Windows 7
- Windows 8或以上的版本（需安裝額外的應用程式）

Note: 'USB Power On' functionality in Windows 8 and above requires an additional Windows patch. This is provided on GIGABYTE's official website labeled 'USB Power-On Patch'. Your GIGABYTE BRIX can be powered on via a connected USB device such as a keyboard or mouse, offering greater convenience when mounted behind a display or monitor.

注意: 在 Windows 8 或以上的版本環境下需要額外的應用程式來啟動 "USB Power On" 功能。你可以透過技嘉官網的產品支援與更新下載 "USB Power-On Patch" 來執行。USB Power On 提供了方便的開機功能，使用者可以透過連接到 BRIX 上的 USB 裝置啟動 BRIX；讓安裝於顯示器後方的 BRIX 更方便使用。

Multi-BIOS Allows you to choose BIOS mode according to the OS of your choice

Hier können Sie den BIOS-Modus entsprechend dem Betriebssystem Ihrer Wahl wählen / Permet de choisir le mode BIOS selon le système d'exploitation de votre choix
 Le permite elegir el modo de BIOS de acuerdo con el sistema operativo de su elección / Permite escolher o modo de BIOS conforme o SO de sua preferência
 Ti consente di selezionare la modalità BIOS in accordo con la tua scelta del sistema Operativo / 멀티-BIOS: Позволяет выбрать режим BIOS в соответствии с ОС, исходя из предпочтений пользователя
 Çoklu-BIOS: isteğinizin doğrultusunda BIOS modunu seçmenize olanak sağlar / お好みのOSに応じてBIOSモードを選択できます / 멀티 BIOS: 선택한 OS에 따라서 바이오스 모드 선택을 허용



Note: You have to select the OS mode in the BIOS before installing any OS on your BRIX.
注意: 需在BIOS選單中先選擇所要使用的OS模式，你的BRIX才能安裝OS。

Legacy system : Win 7
UEFI system : Win 8.x / Win 10

Note: Due to a lack of legacy EHCI controller support from Intel on the 6th generation CPU, the USB 3.0 ports of the BRIX unit are not compatible with USB 2.0 devices. To help you install your operating system, GIGABYTE provides a tool which is preloaded on the driver CD called "Windows Image Tool". This tool helps you to create an installation USB dongle which includes the driver necessary for backward compatibility. To install Windows 7 using this tool, please follow these steps :

- Plug a USB 3.0 drive (4GB minimum) into another computer.
- Launch the "Windows Image Tool".
- Add the Windows 7 installation files and USB 3.0 drivers to your USB drive.
- Plug the USB drive to your BRIX unit and follow the steps to install the OS.

After the installation of the OS and drivers, the USB 3.0 ports will be backward compatible with USB 2.0 devices.