

B) M.2 SSD: How to Install the M.2 2280 SSD

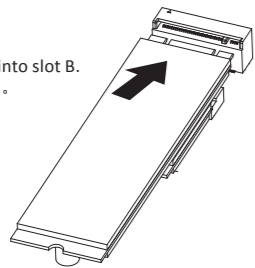
M.2 SSD: Wie Sie die M.2 SSD installieren / SSD M.2: Comment l'installer / M.2 SSD: Cómo instalar SSD M.2 / SSD M.2: Como instalar o SSD M.2 / M.2 SSD: Come installare un'unità M.2 SSD

Накопитель M.2 SSD: Порядок установки накопителя M.2 SSD / M.2 SSD: Jak zainstalować M.2 SSD / M.2 SSD: M.2 SSD nasıl kurulum yapılır / 如何安装M.2 SSD / 如何安装M.2 SSD

M.2 SSD : M.2 SSDの取り付け方法 / M.2 SSD : M.2 방식 SSD을 설치하는 방법

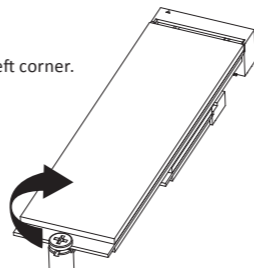
1

Carefully insert the M.2 SSD into slot B.
小心的安裝M.2 SSD於B插槽。



2

The M.2 SSD is secured in place with a small screw in the left corner.
使用包裝隨附的螺絲固定M.2 SSD。



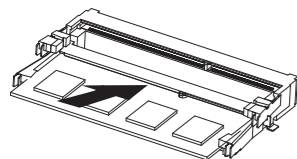
C) Memory Installation: SO-DIMM DDR4

Arbeitspeicher Installation DDR4 / Installation de la mémoire DDR4 / Instalación de la Memoria DDR4 / Instalação da memória DDR4 / Installazione Memoria DDR4 / Установка модулей ОЗУ DDR4

Instalacja pamięci DDR4 / Bellek Yerleştirilmesi DDR4 / 安裝記憶體 / 安裝內存 / メモリの増設方法 DDR4 / 메모리 설치 DDR4

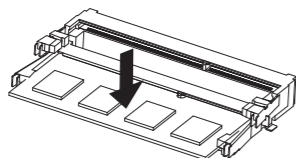
1

Carefully insert SO-DIMM memory modules.
小心並由下至上安裝SO-DIMM記憶體於記憶體插槽。



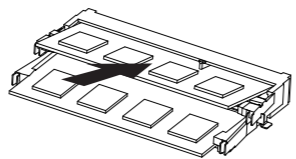
2

Push down until the modules click into place.
當記憶體固定於插槽後，再輕輕下壓至定點。



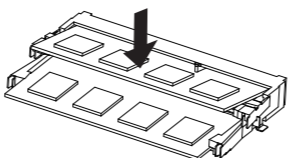
3

Carefully insert SO-DIMM memory modules.
安裝下層記憶體後，重覆前述動作安裝上層記憶體。



4

Push down until the modules click into place.
當記憶體固定於插槽後，再輕輕下壓至定點。



D) BRIX s Support Additional SATA 6Gbps HDD: How to Install 2.5" HDD

BRIX s Unterstützt Zusätzliche SATA 6Gbps HDD: So installieren Sie die 2,5 "Festplatte / Le BRIX s supporte un disque dur SATA 6Gbps additionel: Comment l'installer

Soporte adicional HDD 6Gbps SATA para BRIXs: Cómo instalar HDD 2.5" / BRIX s Suporte adicional para HDD SATA 6Gbps: Como instalar HDD 2.5"

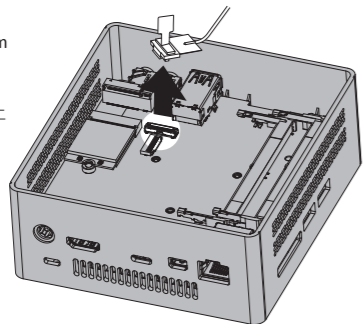
BRIX Supporta un' ulteriore porta SATA 6Gbps per HardDisk: Come installare un HDD da 2,5" / BRIX s поддерживает установку дополнительного жесткого SATA-диска (6 Гбит/с): Порядок установки 2,5-дюйм жесткого диска

BRIX wspiera dodatkowy dysk SATA 6Gbps HDD: Jak zainstalować 2.5" HDD / BRIX, extra 6Gbps HDD destekler: 2.5" HDD nasıl kurulum yapılır / BRIX s支援額外的SATA 6Gbps硬碟：如何安裝2.5" HDD

BRIX s支援額外的SATA 6Gbps硬碟：如何安裝2.5" HDD / BRIXs SATA 6Gbp 하드디스크(HDD)증設: 2.5인치 HDD의取り付け方法 / BRIX s는 추가 SATA 6Gbps를 지원합니다. HDD : 2.5" HDD를 설치하는 방법

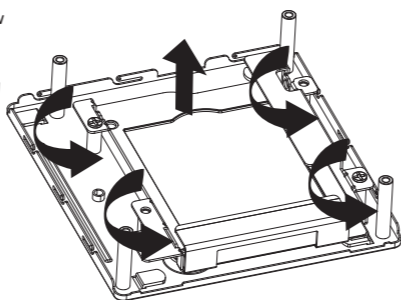
1

Unscrew and remove the bottom panel, disconnecting the SATA cable.
移除BRIX s底蓋並取下主機板上的SATA線。



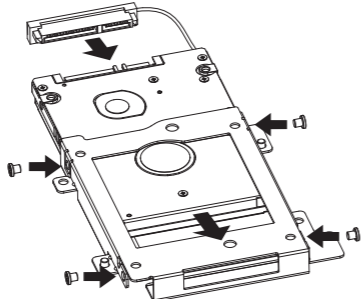
2

Flip the bottom panel and unscrew the four screws holding the HDD cage in place.
翻轉底蓋並鬆開固定硬碟插槽的4顆螺絲。



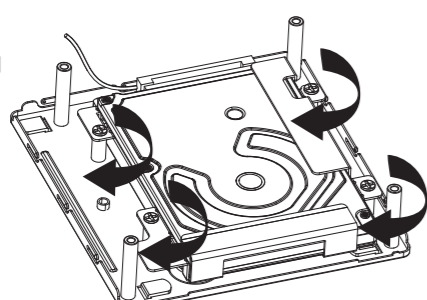
3

Install the HDD in the cage using the screws provided and connect the SATA cable to the HDD.
將硬碟插入硬碟插槽並使用包裝隨附的4顆螺絲固定硬碟，將SATA線另一端連接於硬碟連接埠。



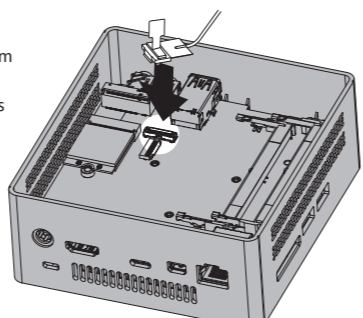
4

Screw the HDD cage in place in the bottom panel.
將安裝好硬碟的硬碟插槽固定回BRIX s底蓋。



5

Connect the SATA cable to the motherboard and reinstall the bottom panel.
安裝主機板端的SATA線，裝回BRIX s底蓋。

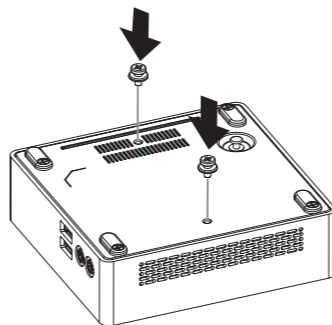


VESA Bracket

VESA-Halterung / Support VESA / soporte VESA / Suporte VESA / Staffa VESA / Крепление VESA / Uchwyt VESA / VESA Desteği / VESA支架 / VESA対応ブラケット / VESA 브래킷

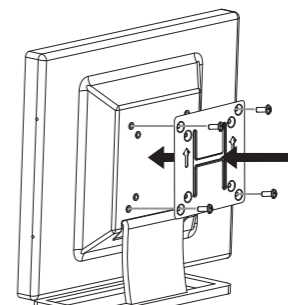
1

Attach the screws provided on the underside of the BRIX or BRIX s.
安裝隨附的VESA支撐架螺絲於BRIX底部。



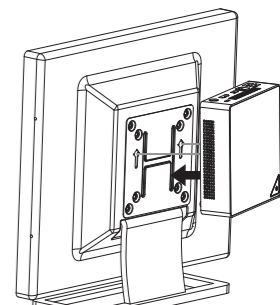
2

Attach the VESA mounting plate to the rear of a compatible display using the screws provided.
安裝隨附的VESA支撐架於支援VESA支撐架的電腦螢幕或電視機後背。



3

The BRIX or BRIX s can now be mounted by sliding the device into place.
將已安裝VESA支撐架螺絲的BRIX插入VESA支撐架的滑軌孔，向下壓至定位點後即可固定。



USB Power On Function: Allows Device Power-on Via USB. Useful When Mounted Behind a Display or TV

USB Power On Funktion / Fonction Démarrage par USB / Función USB Power On

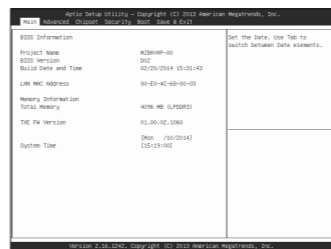
Função USB Power On / Funzione USB Power On / Функция USB Power On

Orçja USB Power On / USB Güç Açık Fonksiyonu / USB埠啟動功能

USB接口启动功能 / USB機器からの電源ON機能 / USB 포트를 이용한 전원 켜기

1

Press "Del" during device start up to enter BIOS.
開機後按啟Del鍵進入BIOS設定畫面。



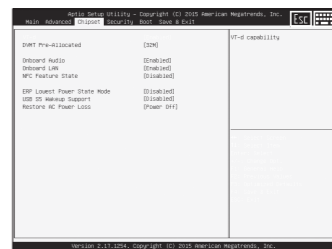
2

Select "Chipset" from the menu.
在BIOS主選單選取"Chipset"。



3

Manually configure "USB S5 Wakeup Support" settings to "Enable".
進入Chipset的USB S5 Wakeup Support選項，手動控制將其"Enable"。



4

Press F4 to Save and Exit.
按啟F4存儲設定並離開BIOS選單重新開機。



System Requirements
- Win 7
- Win 8.x or above version (Install utility required)

系統需求
- Windows 7
- Windows 8或以上的版本 (需安裝額外的應用程式)

Note: 'USB Power On' functionality in Windows 8 and above requires an additional Windows patch. This is provided on GIGABYTE's official website labeled 'USB Power-On Patch'. Your GIGABYTE BRIX can be powered on via a connected USB device such as a keyboard or mouse, offering greater convenience when mounted behind a display or monitor.

注意: 在Windows 8或以上的版本環境下需要額外的應用程式來啟動"USB Power On"功能。你可以透過技嘉官網的產品支援與更新下載"USB Power-On Patch"來執行。USB Power On提供了方便的開機功能，使用者可以透過連接到BRIX上的USB裝置啟動BRIX；讓安裝於顯示器後方的BRIX更方便使用。

Multi-BIOS Allows you to choose BIOS mode according to the OS of your choice

Hier können Sie den BIOS-Modus entsprechend dem Betriebssystem Ihrer Wahl wählen / Permet de choisir le mode BIOS selon le système d'exploitation de votre choix

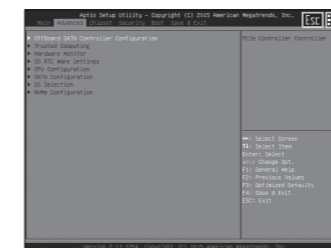
Le permite elegir el modo de BIOS de acuerdo con el sistema operativo de su elección / Permite escolher o modo de BIOS conforme o SO de sua preferência

Ti consente di selezionare la modalità BIOS in accordo con la tua scelta del sistema Operativo / Мульти-BIOS: Позволяет выбрать режим BIOS в соответствии с ОС, исходя из предпочтений пользователя

Çoklu-BIOS: isteğiniz doğrultusunda BIOS modunu seçmenize olanak sağlar / お好みのOSに応じてBIOSモードを選択できます / 멀티 BIOS: 선택한 OS에 따라서 바이오스 모드 선택을 허용

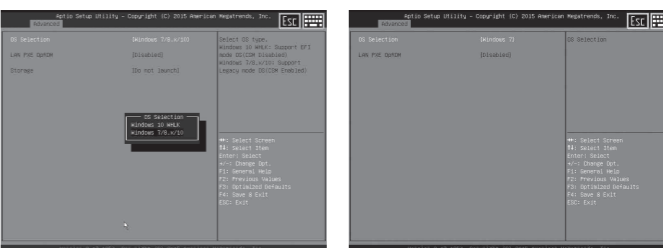
1

Press "Del" during device start up to enter BIOS.
開機後按啟Del鍵進入BIOS設定畫面。



2

Select OS type to "Windows 8.x/ Windows 10" or "Windows 7" from "Advanced" on menu bar.
在BIOS主選單選取"OS type"後，選擇要安裝的OS類型。



Note: You have to select the OS mode in the BIOS before installing any OS on your BRIX.

注意: 需在BIOS選單中先選擇所要使用的OS模式，你的BRIX才能安裝OS。

Legacy system : Win 7/ 8.x/ 10
UEFI system : Win 10 WHLK

Note: Due to a lack of legacy EHCI controller support from Intel on the 6th generation CPU, the USB 3.0 ports of the BRIX unit are not compatible with USB 2.0 devices. To help you install your operating system, GIGABYTE provides a tool which is preloaded on the driver CD called "Windows Image Tool". This tool helps you to create an installation USB dongle which includes the driver necessary for backward compatibility. To install Windows 7 using this tool, please follow these steps :

- Plug a USB 3.0 drive (4GB minimum) into another computer.
- Launch the "Windows Image Tool".
- Add the Windows 7 installation files and USB 3.0 drivers to your USB drive.
- Plug the USB drive to your BRIX unit and follow the steps to install the OS.

After the installation of the OS and drivers, the USB 3.0 ports will be backward compatible with USB 2.0 devices.