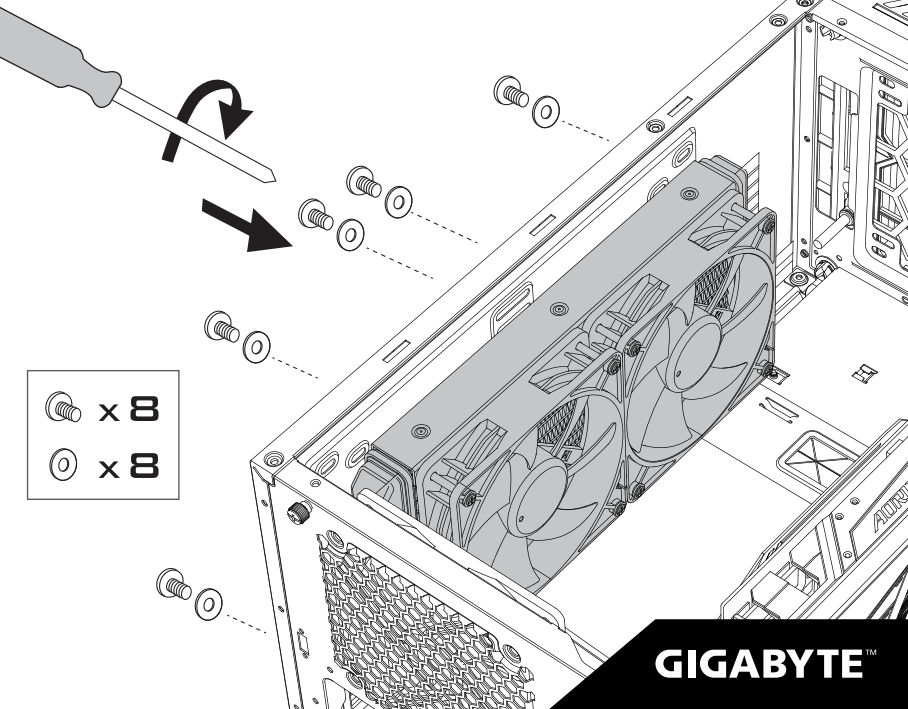




# [ WATERFORCE QUICK GUIDE ]

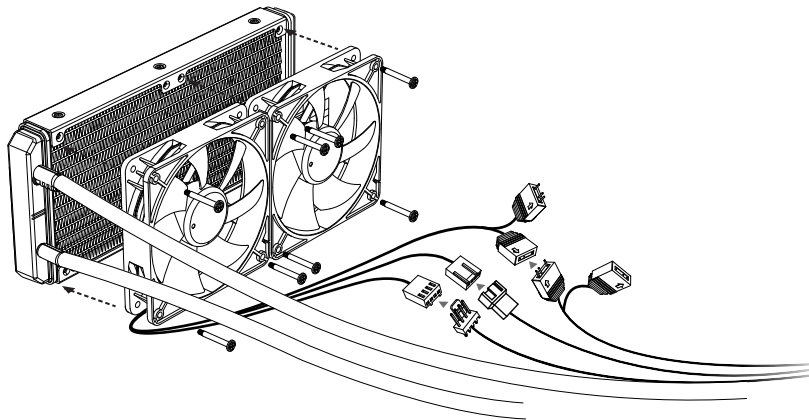


 x 8

 x 8

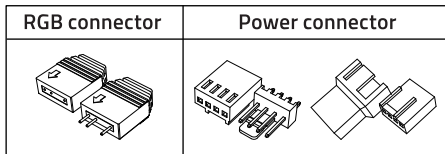
**GIGABYTE™**

# Fan Replacement



## Step

1. Remove the fan and disconnect the power and RGB connectors
2. Install the new fan and connect the power and RGB connectors



## Recommend Spec

	Connector	Voltage	Max Current	Max Watt
Power	4 Pin	12V	2.5A	30W
RGB light	3 Pin	5V	2.0A	10W
Fan Size	120 x 120 x 25 mm			