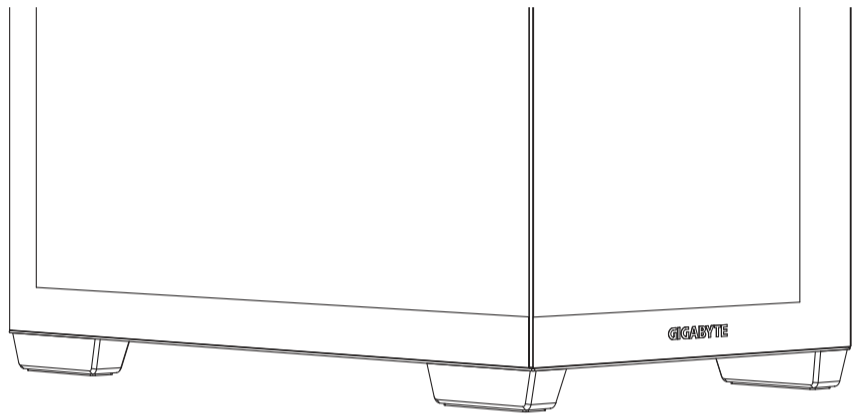


C500 PANORAMIC STEALTH ATX Mid-Tower PC Case



INSTALLATION GUIDE

安裝說明書 / 安装说明书

Please visit www.gigabyte.com for more product information.

Warranty

Gigabyte provides limited product warranty. For the latest and current terms of the Limited Product Warranty, please visit <http://www.gigabyte.com/support-downloads/customer-service.aspx>.

WEEE Information

This symbol on the product or in the instructions means that your electrical and electronic equipment should be disposed at the end of its life separately from your household waste. There are separate collection systems for recycling in the EU. For more information, please contact the local authority or your retailer where you purchased the product.

符合中国《电器电子产品有害物质限制使用管理办法》标示
产品中有害物质的名称及含量



部件名称	有毒有害物质或元素					
	铅(Pb)	汞(Hg)	镉(Cd)	六价铬(Cr(VI))	多溴联苯(PBB)	多溴二苯醚(PBDE)
机箱组	X	○	○	○	○	○
面板组	X	○	○	○	○	○
I/O模块	X	○	○	○	○	○
风扇	X	○	○	○	○	○
安装套件	X	○	○	○	○	○
电源	X	○	○	○	○	○

本表格依据 SJ/T 11364 的规定编制。
○：表示该有害物质在该部件所有均质材料中的含量均在 GB/T 26572 规定的限量要求以下。
X：表示该有害物质至少在该部件的某一均质材料中的含量超出 GB/T 26572 规定的限量要求，但所有部件都符合欧盟 RoHS 要求。

Asia (Headquarters)
GIGA-BYTE TECHNOLOGY CO., LTD.
Address: No.6, Baoqiang Rd., Xindian Dist., New Taipei City 231
Tel: +886-2-8912-4000
<http://www.gigabyte.com>

China
GIGABYTE CHINA
Address: 24/F, HaiTong Securities Tower, No.689 Guangdong Road, Shanghai, China
Tel: +86-21-6340-0912

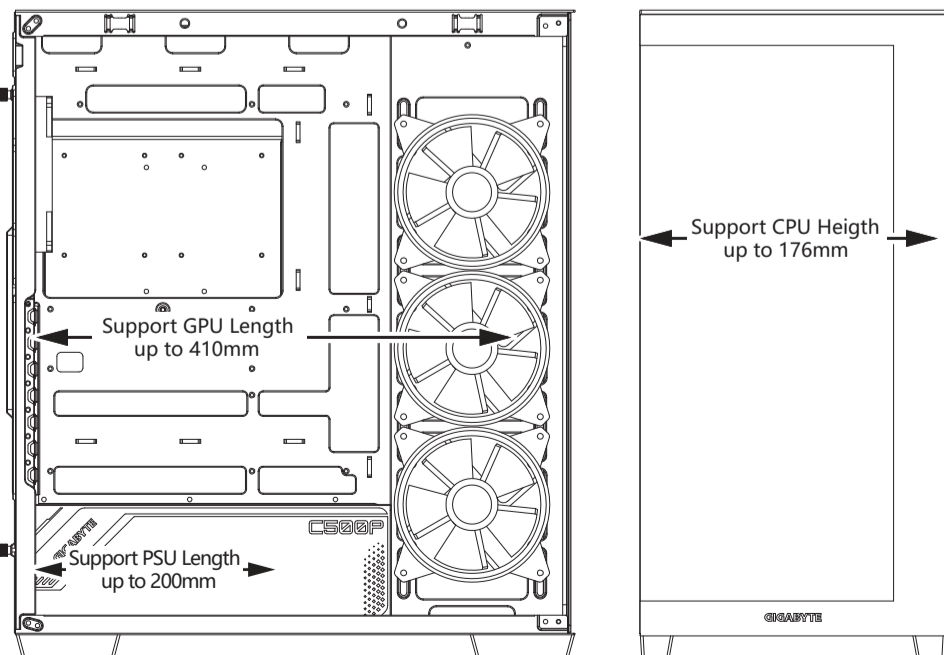
Europe
G.B.T. TECHNOLOGY TRADING GMBH Germany
Address: Bullenkoppel 16, 22047 Hamburg, Deutschland
Tel: +49-40-25 33 040

North America
G.B.T. INC. USA
Address: 17358 Railroad Street, City of Industry, CA91748 USA
Tel: +1-626-854-9338

FITTING PACK / 安裝套件 / 安装套件

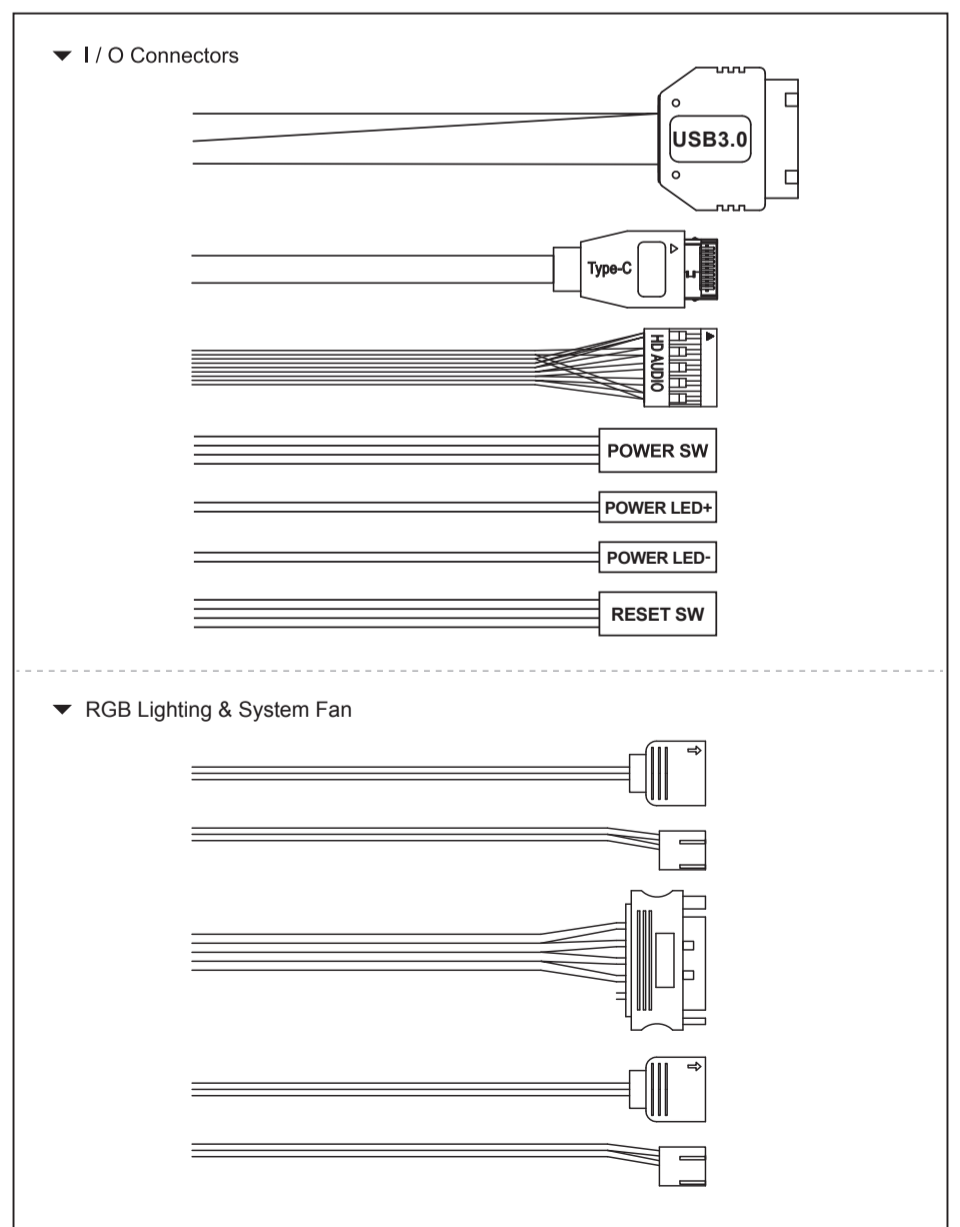
Figure	Part's Name	Qty	Used For
	Screw A	19	Motherboard (9) / SSD (8) / VGA vertical installation (2)
	Screw B	4	PSU
	Screw C	4	VGA installation
	Screw D	8	3.5" HDD
	Standoff - 6.5mm	7	Motherboard (4, pre-installed) / Backup (3)
	Standoff - 16mm	2	VGA vertical installation
	Cable Tie	10	Cable management
	PCI-E Vertical Bracket Cover	1	VGA vertical installation

Max CPU Height : 176mm / Max GPU Length : 410mm / Max PSU Length : 200mm



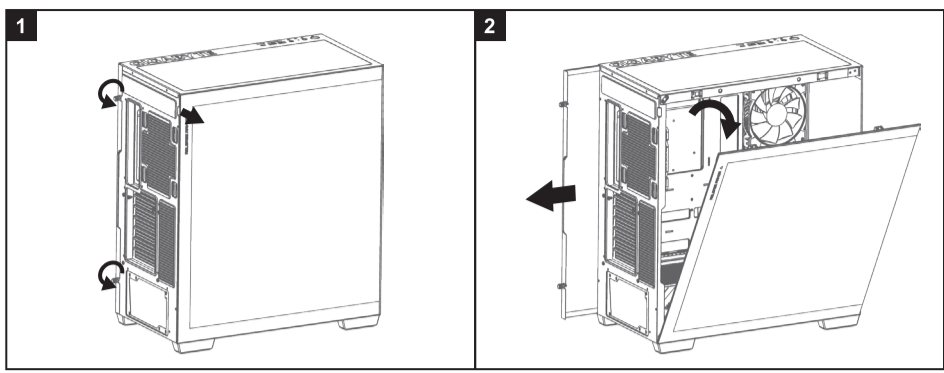
THE I/O CONNECTORS AND RGB LIGHTING POWER

連接輸出接頭以及面板燈光電源 / 连接输出接口以及面板灯光电源



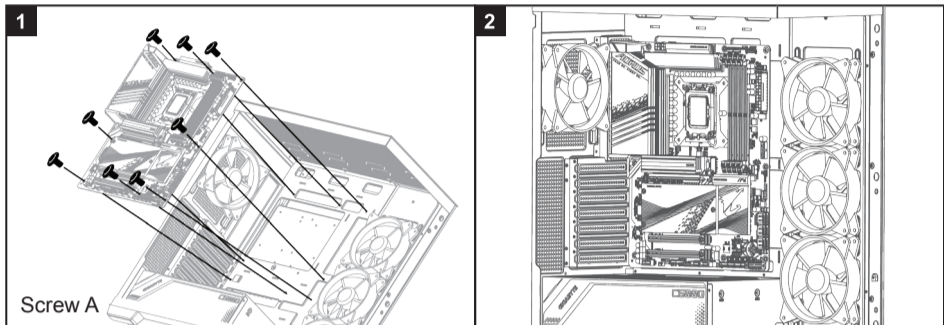
INSTALLATION / 安裝說明 / 安裝說明

1. Remove both side panels / 先拆下兩邊側板 / 先拆下兩邊側板



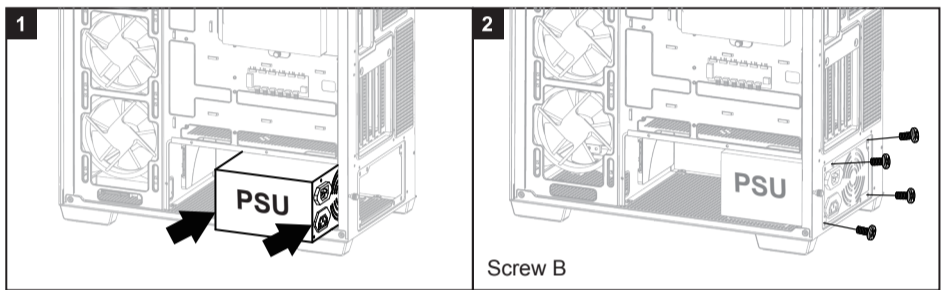
*Be careful when handling the tempered glass panel.
 *拿取強化玻璃側板時請小心
 *拿取強化玻璃側板時請小心

2. Install the motherboard / 安裝主機板 / 安裝主板



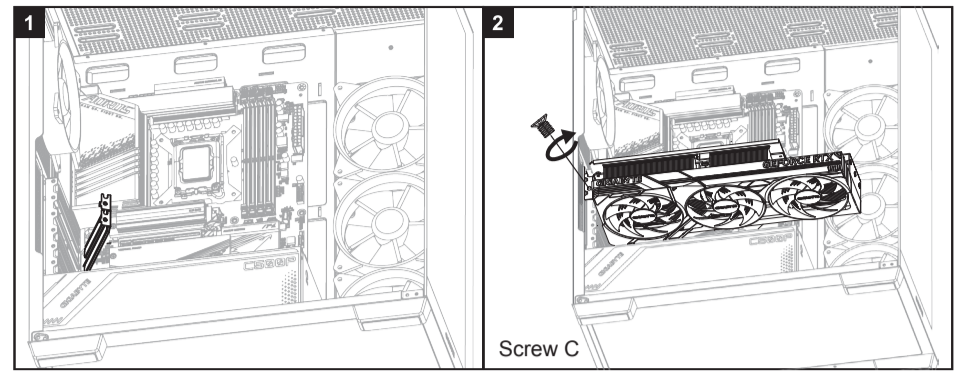
*The quantity of standoff 6.5mm depends on motherboard's type.
 *銅柱所需數量取決於主機板類型
 *銅柱所需數量取決於主機板類型

3. Install the power supply / 安裝電源供應器 / 安裝電源供應器



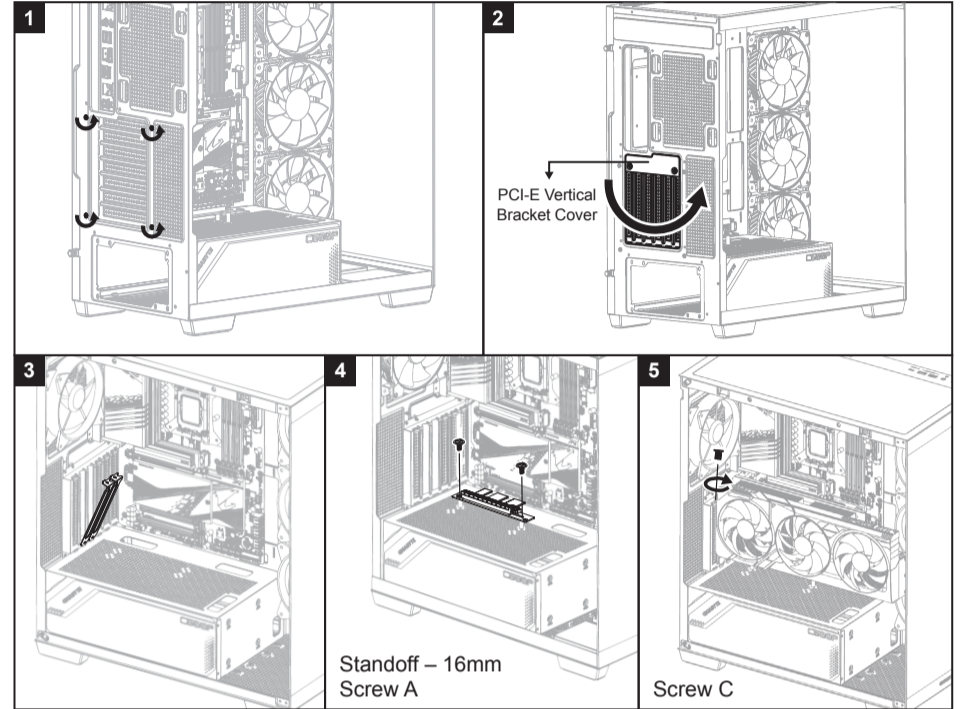
4. Install the add-on cards / 安裝顯示卡 / 安裝显卡

4.1 Horizontal VGA card installation / 橫插式顯示卡安裝 / 橫插式显卡安裝



4.2 Vertical VGA card installation (requires optional PCI-E x16 riser cable)

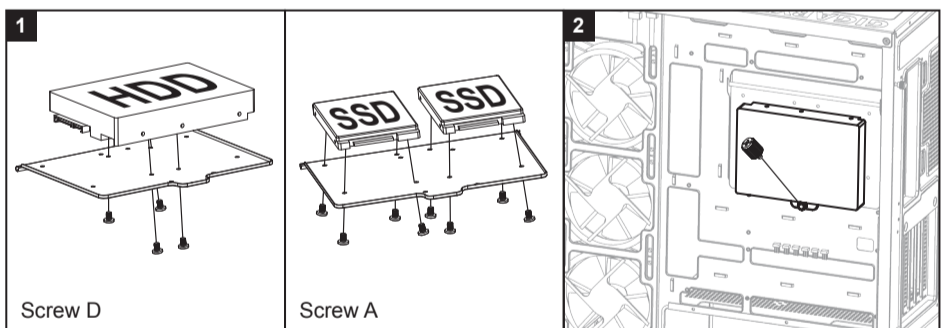
垂直式顯示卡安裝 (需額外添購PCI-E延伸線) / 垂直式显卡安裝 (需額外添購PCI-E延伸線)



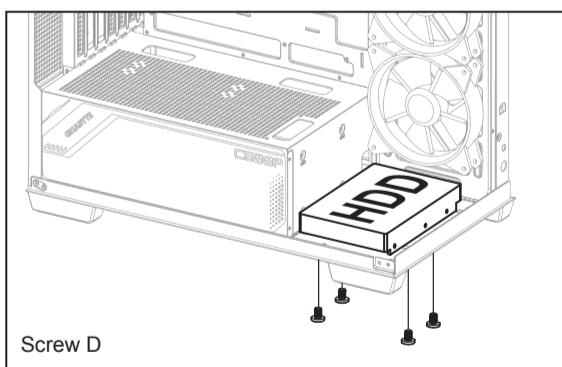
*Before installing vertically, please adjust the bracket's direction first.
 *垂直安裝前，請先調整檔板支架方向。
 *垂直安裝前，請先調整檔板支架方向。

5. Install the hard drive / 安裝硬碟 / 安裝硬碟

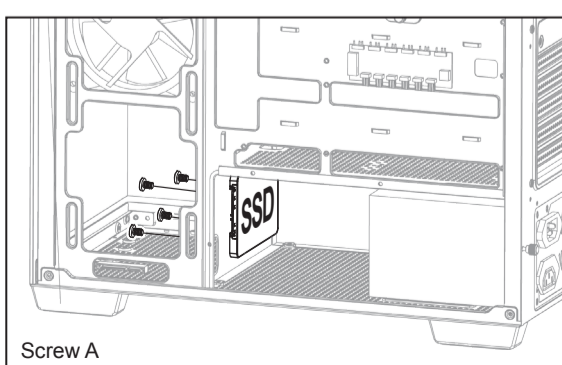
5.1 For 3.5" HDD & 2.5" SSD / 3.5" HDD & 2.5" SSD 支援 / 3.5" HDD & 2.5" SSD 支持



5.2 For 3.5" HDD / 3.5" HDD 支援 / 3.5" HDD 支持

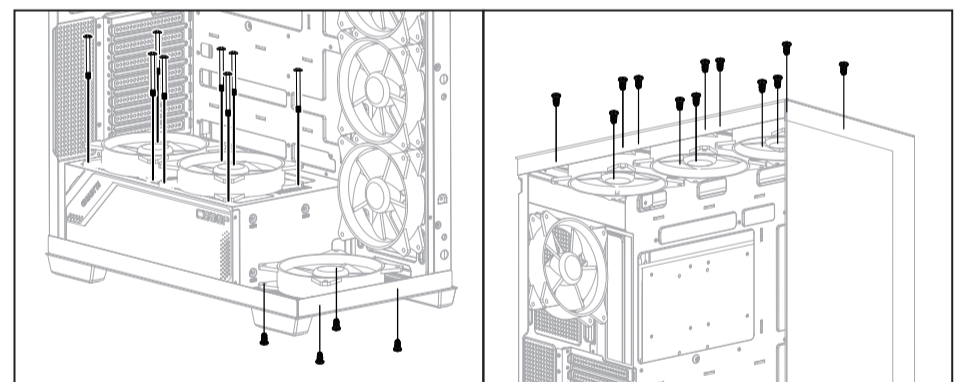


5.3 For 2.5" SSD / 2.5" SSD 支援 / 2.5" SSD 支持



6. Install the additional system fan(not included)

安裝系統風扇 (額外添購) / 安裝系統風扇 (額外添購)



7. Cooling System Support / 散熱系統支援 / 散熱系統支持

