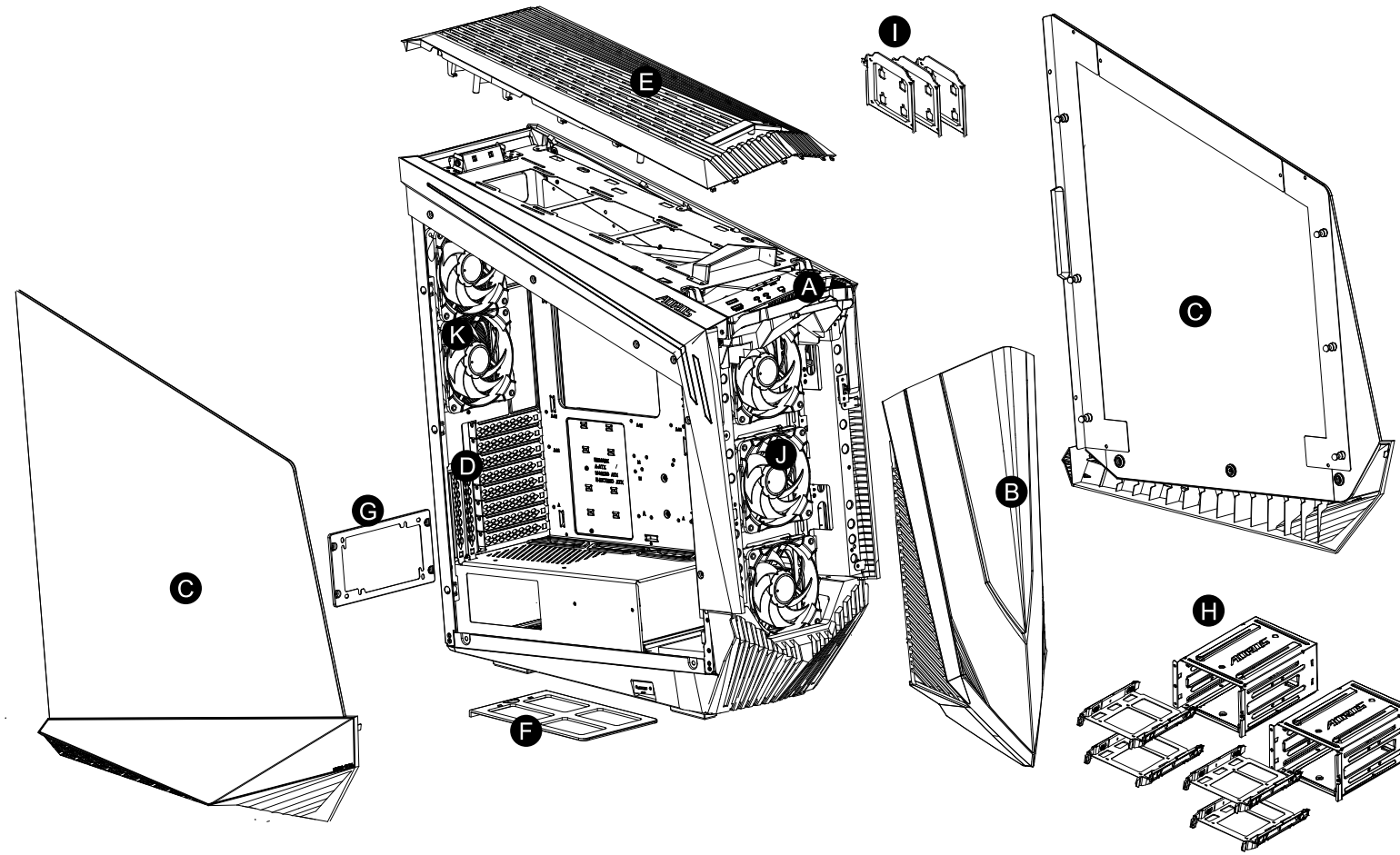


AORUS

C700 GLASS

INSTALLATION GUIDE

Assembly Drawing



- A** I/O panel
- B** Front panel
- C** Tempered glass side panels
- D** Vertical and horizontal graphics card Installation
- E** Top panel
- F** Detachable dust filter
- G** PSU mounting plate
- H** 3.5"/2.5" drive bays
- I** 2.5" drive bays
- J** PWM fans (Pre-installed 120mm*3)
- K** ARGB & PWM fans (Pre-installed 120mm*2)

Warranty

Gigabyte provides limited product warranty. For the latest and current terms of the Limited Product Warranty, please visit <http://www.gigabyte.com/support-downloads/customer-service.aspx>.

WEEE Information

This symbol on the product or in the instructions means that your electrical and electronic equipment should be disposed at the end its life separately from your household waste. There are separate collection system for recycling in the EU.

For more information, please contact the local authority or your retailer where you purchased the product.

符合中国《电器电子产品有害物质限制使用管理办法》标示
产品中有害物质的名称及含量



部件名称	有毒有害物质或元素					
	铅(Pb)	汞(Hg)	镉(Cd)	六价铬(Cr(VI))	多溴联苯(PBB)	多溴二苯醚(PBDE)
机箱组	X	○	○	○	○	○
面板组	X	○	○	○	○	○
I/O模块	X	○	○	○	○	○
风扇	X	○	○	○	○	○
安装套件	X	○	○	○	○	○
电源	X	○	○	○	○	○

本表格依据 SJ/T 11364 的规定编制。
○：表示该有害物质在该部件所有均质材料中的含量均在 GB/T 26572 规定的限量要求以下。
X：表示该有害物质至少在该部件的某一均质材料中的含量超出 GB/T 26572 规定的限量要求，但所有部件都符合欧盟 RoHS 要求。

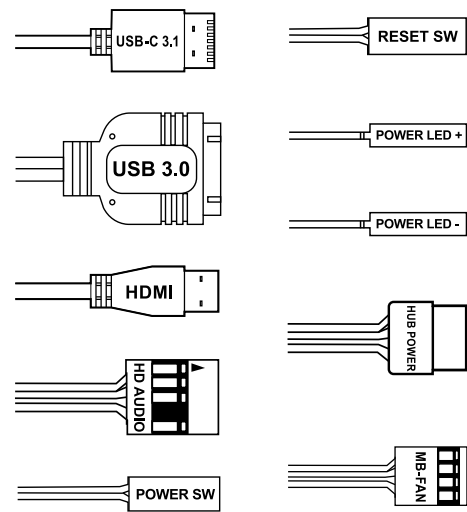
Asia (Headquarters)
GIGA-BYTE TECHNOLOGY CO., LTD. Taiwan
Address: No.6, Baoqiang Rd., Xindian Dist., New Taipei City 231, Taiwan
Tel: +886-2-8912-4000
<http://www.gigabyte.com>

China
GIGABYTE CHINA
Address: 24/F, HaiTong Securities Tower, No.689 Guangdong Road, Shanghai, China
Tel: +86-21-6340-0912

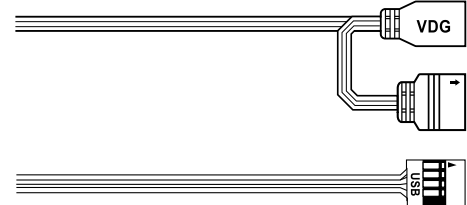
Europe
G.B.T. TECHNOLOGY TRADING GMBH Germany
Address: Bullenkoppel 16, 22047 Hamburg, Deutschland
Tel: +49-40-25 33 040

North America
G.B.T. INC. USA
Address: 17358 Railroad Street, City of Industry, CA91748 USA
Tel: +1-626-854-9338

I/O Connectors

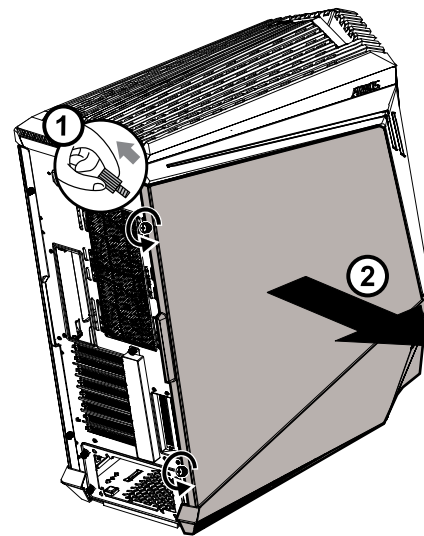


RGB Lighting

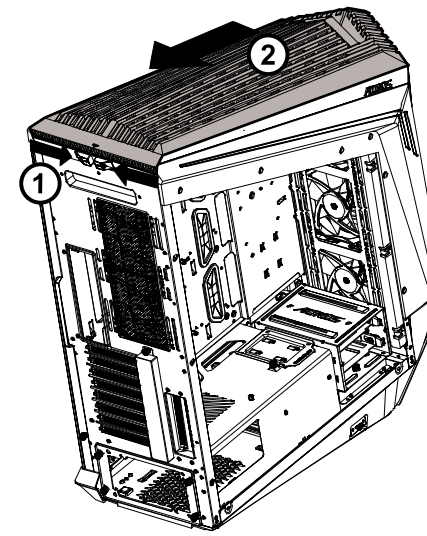


Remove the panels

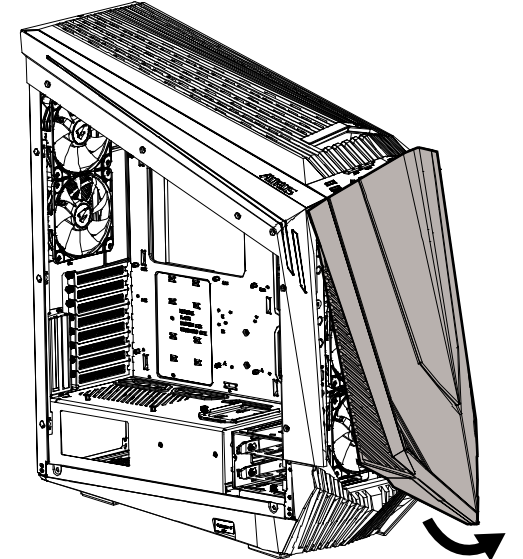
Side Panel



Top Panel



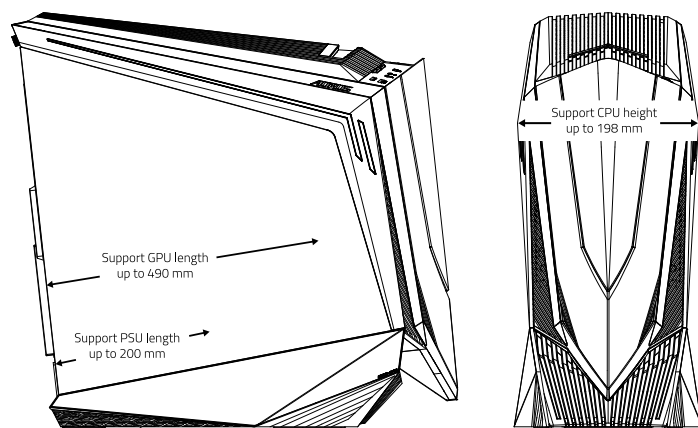
Front Panel



*Be careful when handling the tempered glass panel.

Maximum compatibility

Support vertical and horizontal graphics card installation

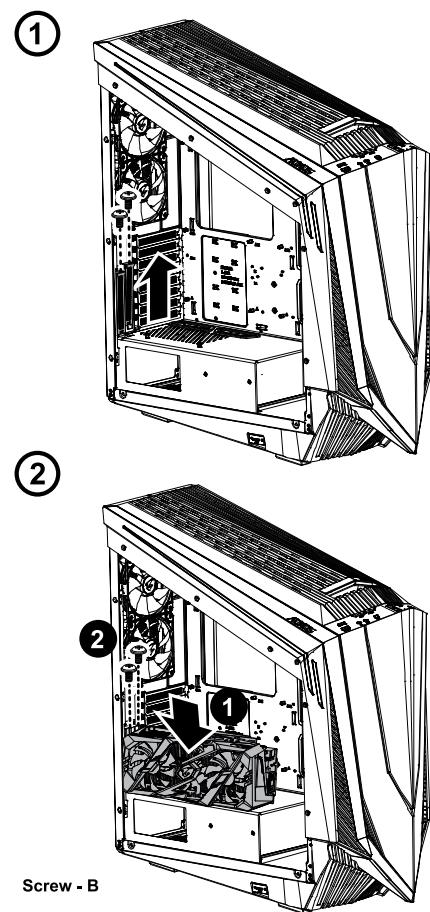


ACCESSORY KIT

Figure	Part's Name	Qty	Used For
	Screw - A	8	PSU
	Screw - B	54	Motherboard(12) / SSD(40) / GPU (2)
	Screw - C	8	HDD
	Standoff - 6.5mm	4	Motherboard(9, pre-installed)
	Cable Tie	8	Cable management

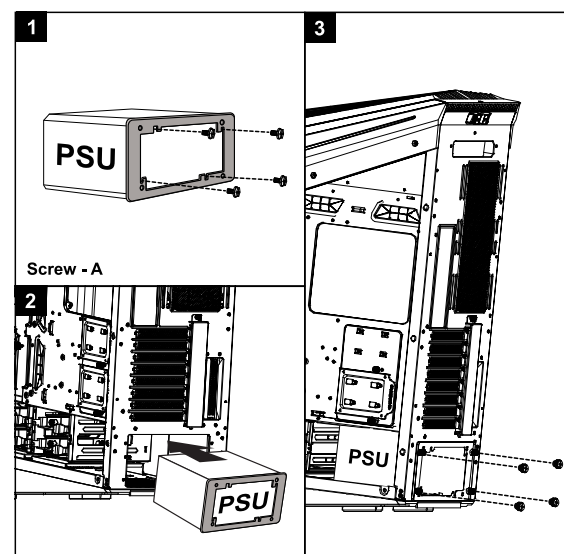
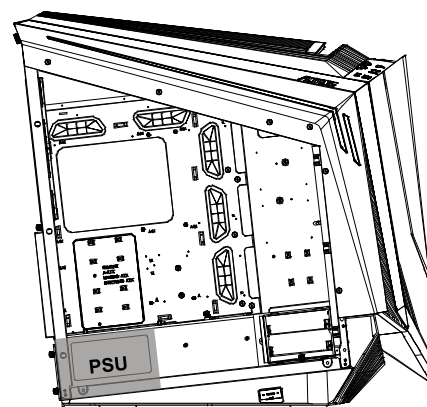
Install the vertical graphics card

Requires the PCIe riser cable (not included)



*Plug the PCI-E riser cable before installing the graphics card.

Install the power supply



RGB & Fan control system



RGB FUSION 2.0
With 16.7M customizable color options and numerous lighting effects, you can choose lighting effects or synchronize with other AORUS devices.

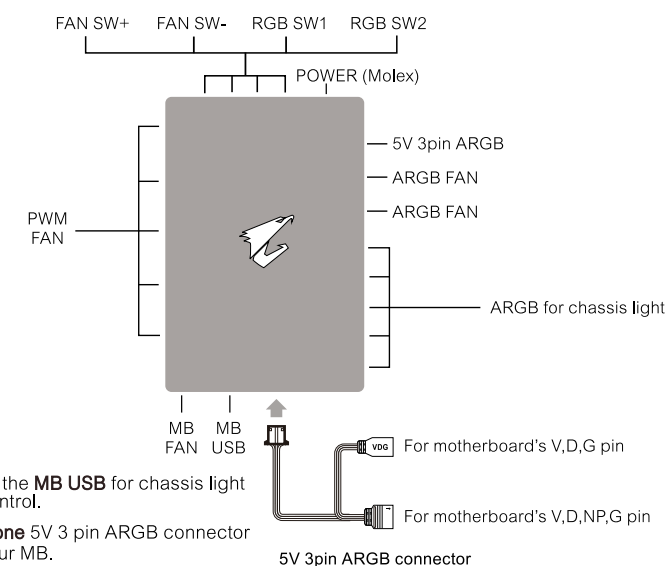
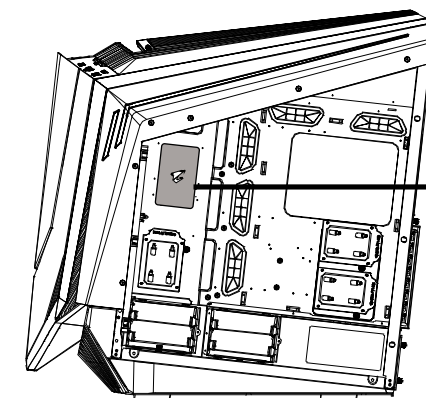
Please use the included hub (refer the below image) to connect the ARGB and PWM fans.

Users can control the RGB & Fan speed on the top I/O panel.

Mode Button: Adjust the modes between RGB FUSION 2.0.

RGB Button: Adjust the various colors.

FAN ± Button: Adjust the fan speed by each level.



* Must connect the MB USB for chassis light power and control.

* Choose **only one** 5V 3 pin ARGB connector to connect your MB.

Install water cooling radiators & cooling fans

1 (Top)

120

140

240

280

360

420

140

120

2 (Front)

360

280

240

140

120

3 (Rear)

140

120

120

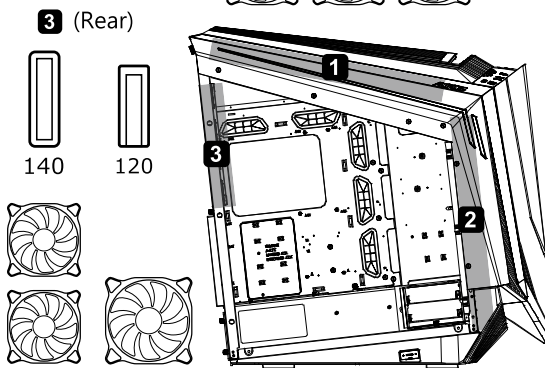
140

120

140

120

140

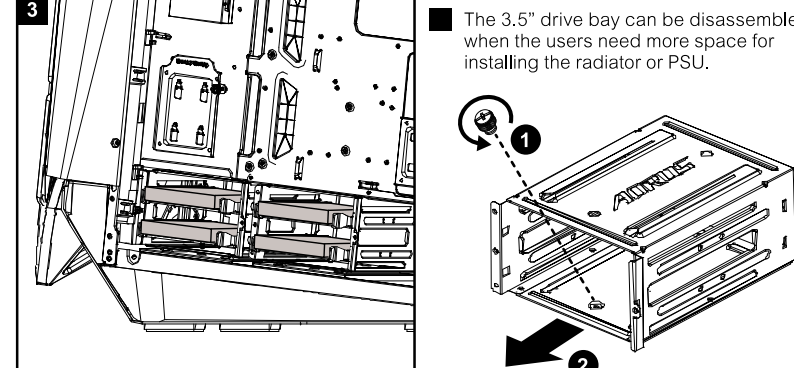
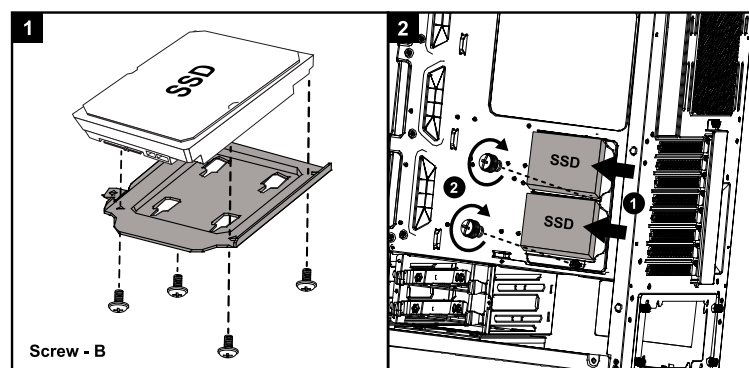
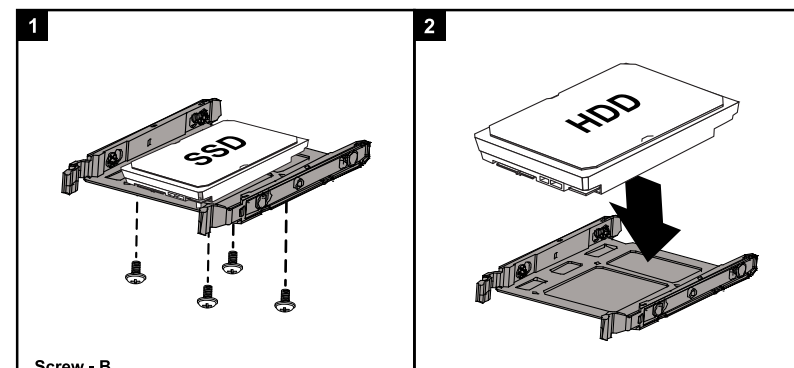
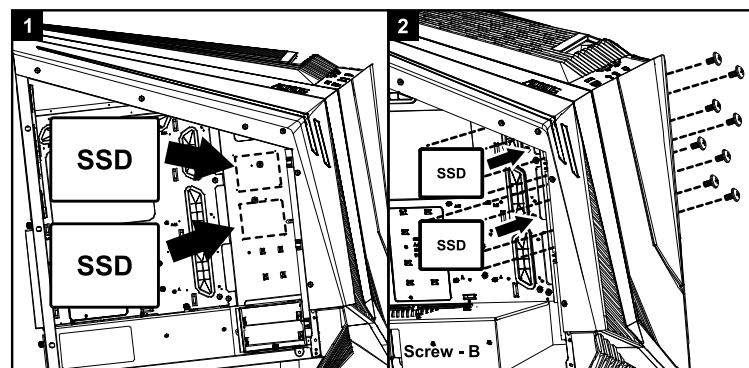
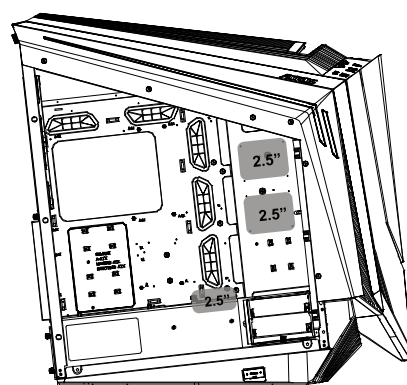


Install the internal 2.5" SSDs & 3.5" HDDs

3.5" HDD can be replaced by 2.5" SSD.

For 2.5" Cage

For 3.5" Cage



The 3.5" drive bay can be disassembled when the users need more space for installing the radiator or PSU.