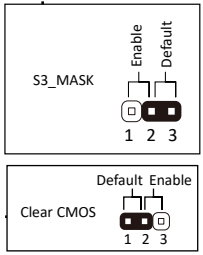
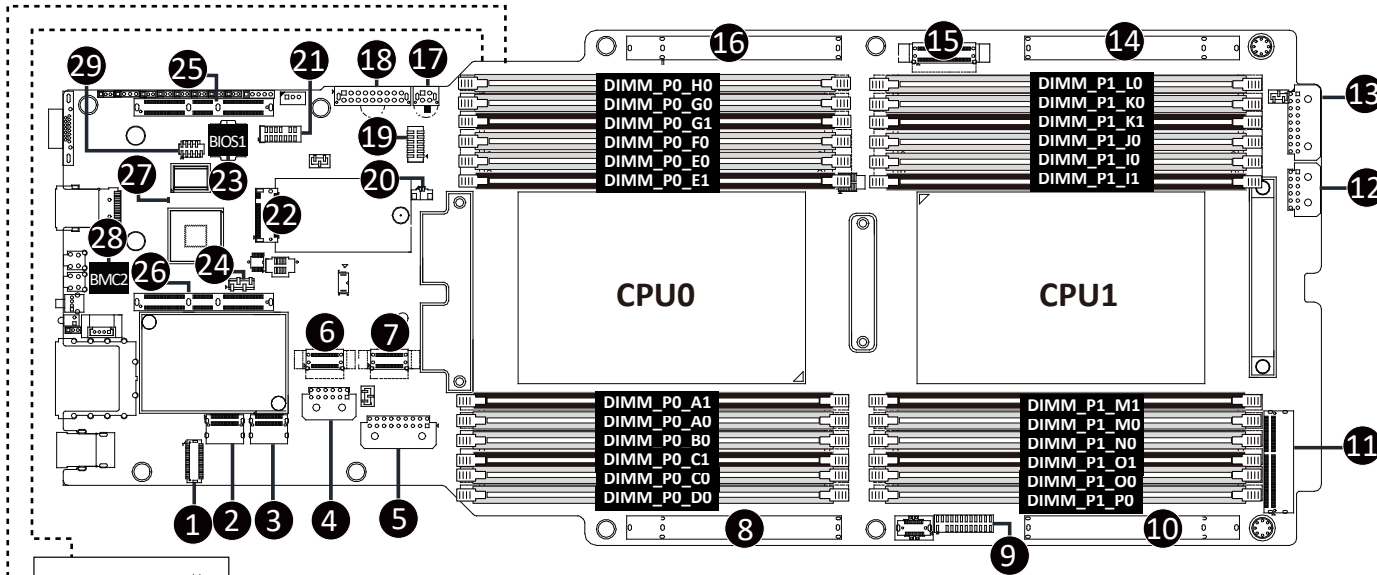


Hardware Quick Installation Guide

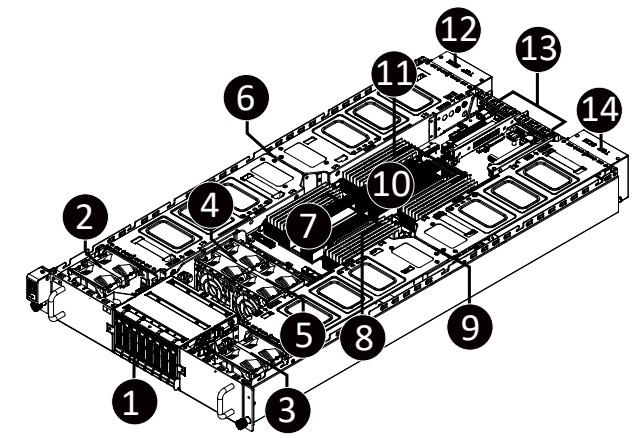
Motherboard Components



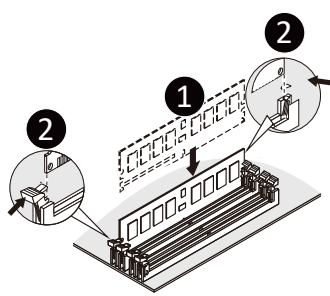
- 1 HDD Back Plane Board Connector (BP_1)
- 2 MCIO Connector (U2_P0_PE4A/PCIe Gen5)
- 3 MCIO Connector (U2_P0_PE4B/PCIe Gen5)
- 4 2 x 6 Pin ATX Power Connector (ATX1_2)
- 5 2 x 9 Pin ATX Power Connector (ATX1_1)
- 6 MCIO Connector (U2_P0_PE4C/PCIe Gen5)
- 7 MCIO Connector (U2_P0_PE4D/PCIe Gen5)
- 8 PCIe x32 Slot #2 (PCIE_2)
- 9 Front Panel Header (Primary)
- 10 PCIe x32 Slot #4 (PCIE_4)
- 11 MCIO Connector (U2_P1_PE5/PCIe Gen5)
- 12 2 x 6 Pin ATX Power Connector (ATX2_2)
- 13 2 x 9 Pin ATX Power Connector (ATX2_1)
- 14 PCIe x32 Slot #3 (PCIE_3)
- 15 MCIO Connector (U2_P0_PE0/PCIe Gen5)
- 16 PCIe x32 Slot #1 (PCIE_1)
- 17 2 x 2 Pin Power Connector (SSI_2X2P)
- 18 2 x 9 Pin Power Connector (SSI_2X9P)
- 19 Front Panel Header (FP_2/Secondary)
- 20 System Battery Cable Connector (BAT)
- 21 TPM Module Connector (SPI_TPM)
- 22 PRoT Module Connector (PROT)
- 23 BIOS_1 (BIOS_2 at the back)
- 24 IPMB Connector (IPMB)
- 25 Proprietary PCIe Slot (GENZ_1/Gen5 x16)
- 26 Proprietary PCIe Slot (GENZ_2/Gen5 x16)
- 27 BMC Firmware Readiness LED (LED_BMCCPU)
- 28 BMC_FLH2 (BMC_FLH1 at the back)
- 29 COM Port Header (COM1)

System Components

- 1 2.5" Hard Drives
- 2 GPU7/GPU8 Fan (GPU78_FAN)
- 3 GPU3/GPU4 Fan (GPU34_FAN)
- 4 System Fan #2 (SYS_FAN2)
- 5 System Fan #1 (SYS_FAN1)
- 6 GPU5/GPU6 Fan (GPU56_FAN)
- 7 CPU1 and Heat Sink
- 8 CPU1 DDR5 Memory
- 9 GPU1/GPU2 Fan (GPU12_FAN)
- 10 CPU0 and Heat Sink
- 11 CPU0 DDR5 Memory
- 12 External GPU5/GPU6 Fan (GPU56E_FAN)
- 13 Riser Slot
- 14 External GPU1/GPU2 Fan (GPU12E_FAN)

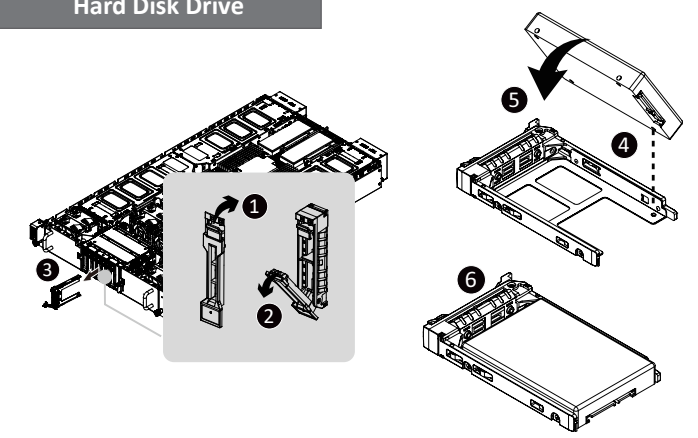


Memory









Memory Q'ty for each CPU	CPU0												CPU1											
	D0	C0	C1	B0	A0	A1	E1	E0	F0	G1	G0	H0	P0	O0	O1	N1	M0	M1	I1	I0	J0	K1	K0	L0
1 DIMM				V													V							
8 DIMM	V	V	V					V	V	V	V	V	V	V	V	V		V	V	V	V	V	V	V
	V			V	V	V	V	V				V	V				V	V	V	V	V	V	V	V
12 DIMM	V	V	V	V	V	V	V	V	V	V	V	V	V	V	V	V	V	V	V	V	V	V	V	V

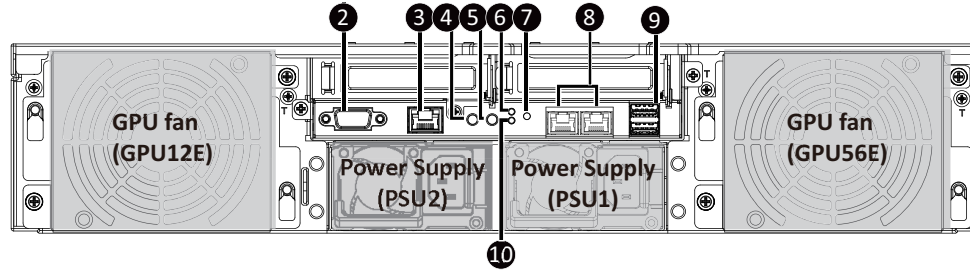
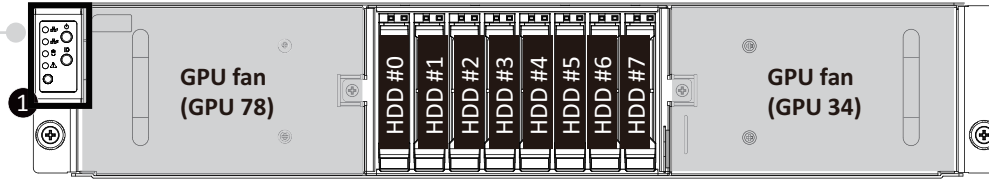
Hard Disk Drive



Hardware Quick Installation Guide

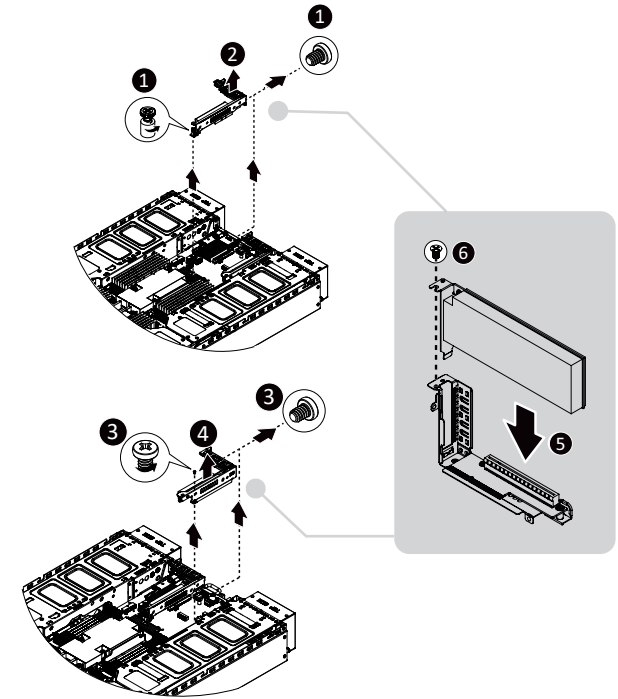
System Appearance

-  Power Button with LED
-  ID Button with LED
-  LAN 1 Active/Link LED
-  LAN 2 Active/Link LED
-  HDD Status LED
-  System Status LED

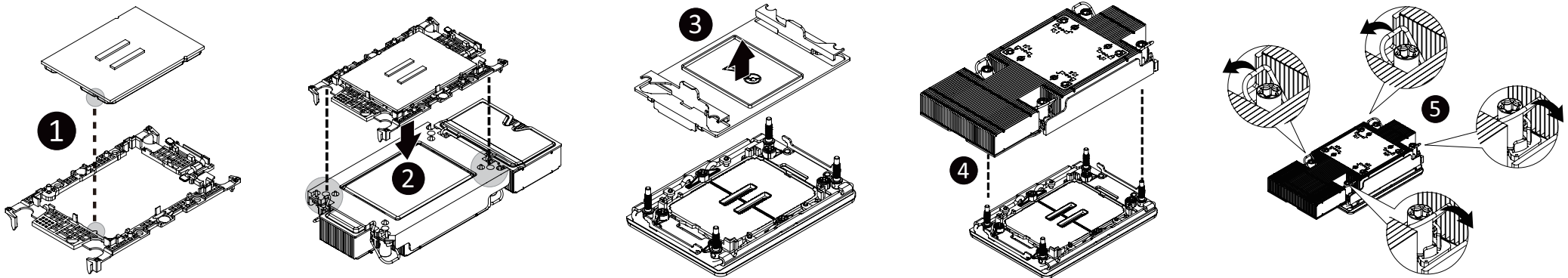


- | | | |
|--------------------------------------|----------------------------|----------------------------|
| 1 Front panel LED and buttons | 5 ID Button | 8 Data LAN Port x 2 |
| 2 VGA Port | 6 Reset Button | 9 USB 3.0 Port x 2 |
| 3 Management LAN port | 7 System Status LED | 10 NMI Button |
| 4 Power Button with LED | | |

PCI Express Card



CPU and Heat Sink



NOTE!

- When installing the heatsink to CPU, use T30-Lobe driver to tighten 4 captive nuts in sequence as 1-4.
- Please refer to the Heatsink Label for the screw tightening torque value.

Hardware Quick Installation Guide

GPU Card

