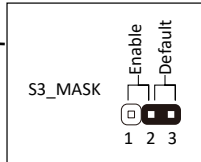
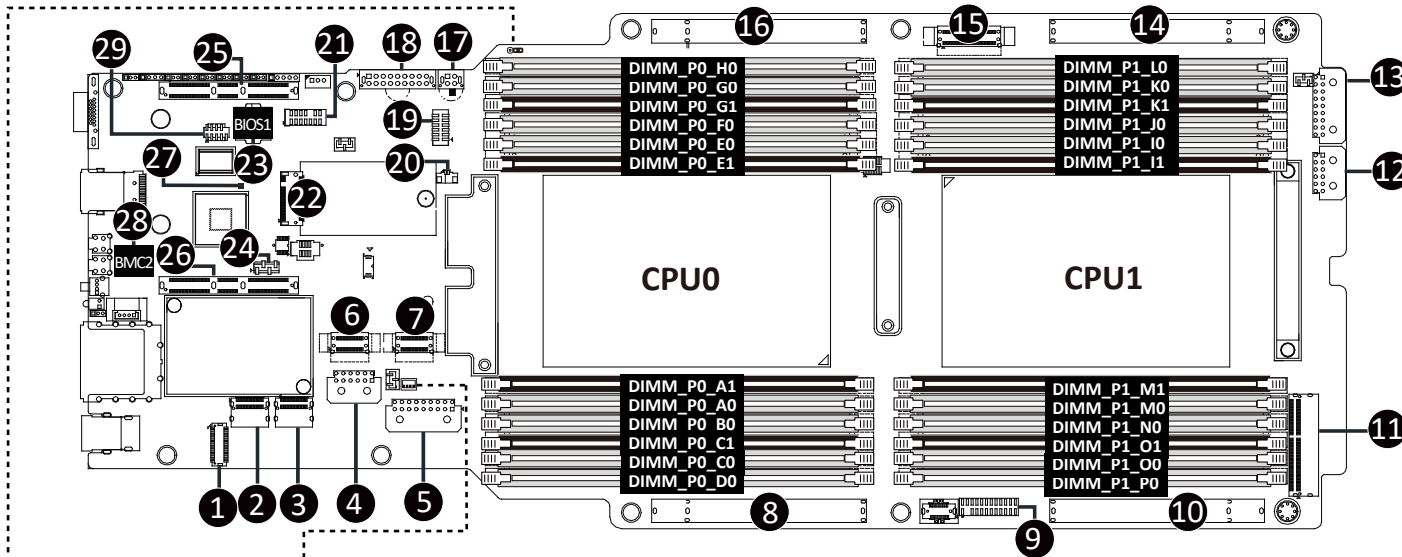


Hardware Quick Installation Guide

Motherboard Components

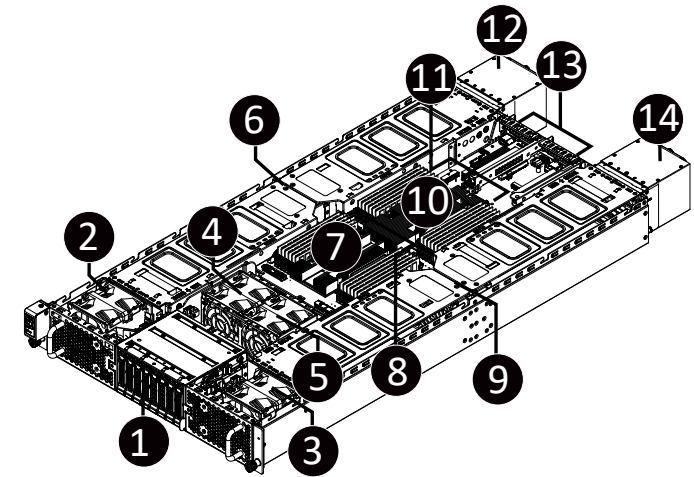


J2	FUNCTION
PIN1	CPU0SAFS_SEL
PIN2	CLR_CMOS
PIN3	BIOS_RCVR
PIN4	FPGA_DEBUG

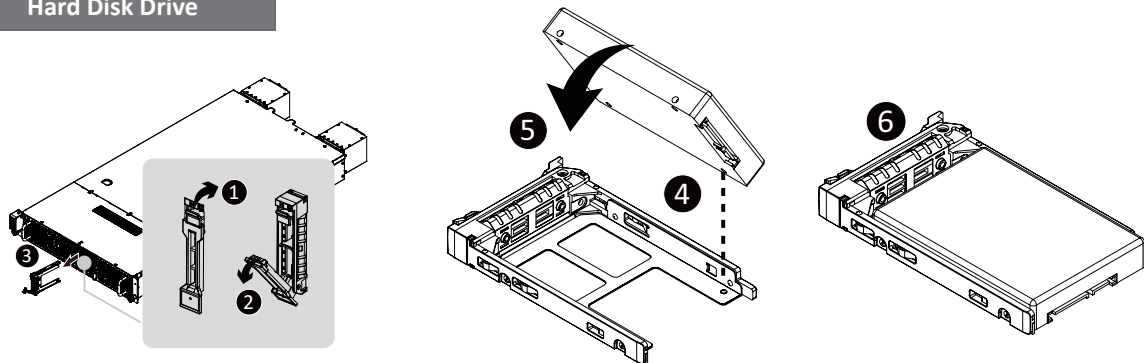
- 1 HDD Back Plane Board Connector (BP_1)
- 2 MCIO Connector (U2_P0_PE4A/PCIe Gen5)
- 3 MCIO Connector (U2_P0_PE4B/PCIe Gen5)
- 4 2 x 6 Pin ATX Power Connector (ATX1_2)
- 5 2 x 9 Pin ATX Power Connector (ATX1_1)
- 6 MCIO Connector (U2_P0_PE4C/PCIe Gen5)
- 7 MCIO Connector (U2_P0_PE4D/PCIe Gen5)
- 8 PCIe x16 Slot #2 (PCIE_2)
- 9 Front Panel Header (Primary)
- 10 PCIe x16 Slot #4 (PCIE_4)
- 11 MCIO Connector (U2_P1_PE5/PCIe Gen5)
- 12 2 x 6 Pin ATX Power Connector (ATX2_2)
- 13 2 x 9 Pin ATX Power Connector (ATX2_1)
- 14 PCIe x16 Slot #3 (PCIE_3)
- 15 MCIO Connector (U2_P0_PE0/PCIe Gen5)
- 16 PCIe x16 Slot #1 (PCIE_1)
- 17 2 x 2 Pin Power Connector (SSI_2X2P)
- 18 2 x 9 Pin Power Connector (SSI_2X9P)
- 19 Front Panel Header (FP_2/Secondary)
- 20 System Battery Cable Connector (BAT)
- 21 TPM Module Connector (SPI_TPM)
- 22 PRoT Module Connector (PROT)
- 23 BIOS_1 (BIOS_2 at the back)
- 24 IPMB Connector (IPMB)
- 25 Proprietary PCIe Slot (GENZ_1/Gen5 x16)
- 26 Proprietary PCIe Slot (GENZ_2/Gen5 x16)
- 27 BMC Firmware Readiness LED (LED_BMC)
- 28 BMC_FLH2 (BMC_FLH1 at the back)
- 29 COM Port Header (COM1)

System Components

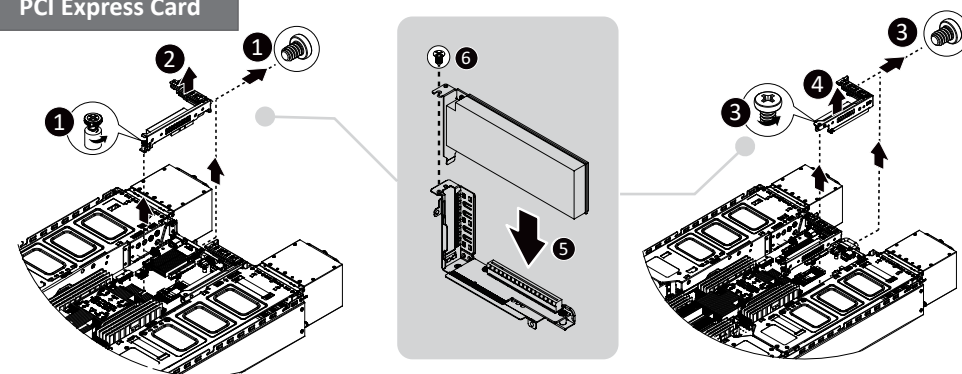
- 1 2.5" Hard Drives
- 2 GPU7/GPU8 FAN (GPU78_FAN1 / GPU78_FAN2)
- 3 GPU3/GPU4 FAN (GPU34_FAN1 / GPU34_FAN2)
- 4 System FAN2 (SYS_FAN2_1 / SYS_FAN2_2)
- 5 System FAN1 (SYS_FAN1_1 / SYS_FAN1_2)
- 6 GPU 5/GPU6 FAN (GPU56_FAN1/GPU56_FAN2)
- 7 CPU1 and Heat Sink
- 8 CPU1 DDR5 Memory
- 9 GPU1/GPU2 FAN (GPU12_FAN1/GPU12_FAN2)
- 10 CPU0 and Heat Sink
- 11 CPU0 DDR5 Memory
- 12 External GPU5/GPU6 Fan (GPU56E_FAN1/GPU56E_FAN2)
- 13 Riser Slot
- 14 External GPU1/GPU2 Fan (GPU12E_FAN1/GPU12E_FAN2)



Hard Disk Drive









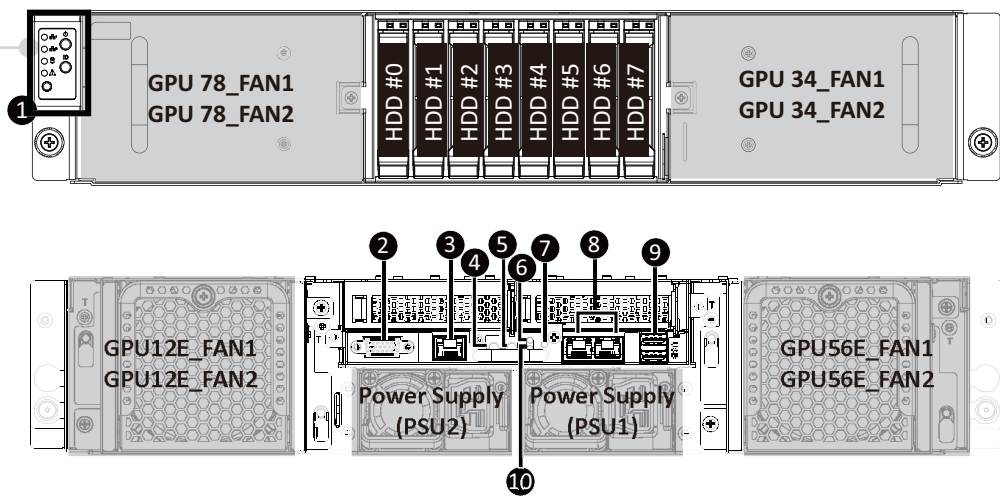
PCI Express Card



Hardware Quick Installation Guide

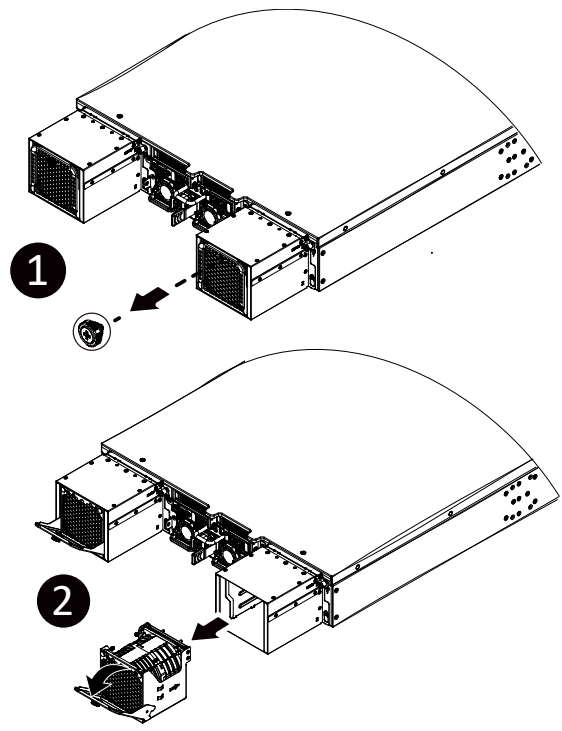
System Appearance

-  Power Button with LED
-  ID Button with LED
-  LAN 1 Active/Link LED
-  LAN 2 Active/Link LED
-  HDD Status LED
-  System Status LED

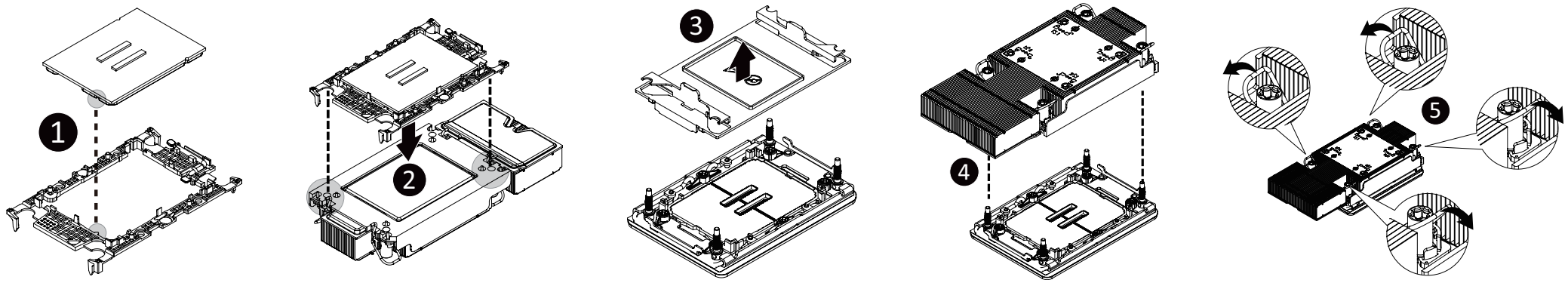


- 1 Front panel LED and buttons
- 2 VGA Port
- 3 Management LAN port
- 4 Power Button with LED
- 5 ID Button
- 6 Reset Button
- 7 System Status LED
- 8 Data LAN Port x 2
- 9 USB 3.0 Port x 2
- 10 NMI Button

Fan



CPU and Heat Sink



NOTE!

- When installing the heatsink to CPU, use T30-Lobe driver to tighten 4 captive nuts in sequence as 1-4.
- Please refer to the Heatsink Label for the screw tightening torque value.

Carrier Types used for Package Types

Package Type	Granite Rapids-SP (R1S) XCC	Granite Rapids-SP (R1S) HCC/LCC
Carrier Code	E2A	E2B

