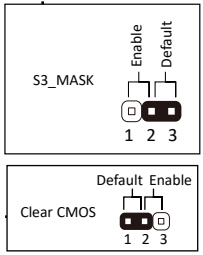
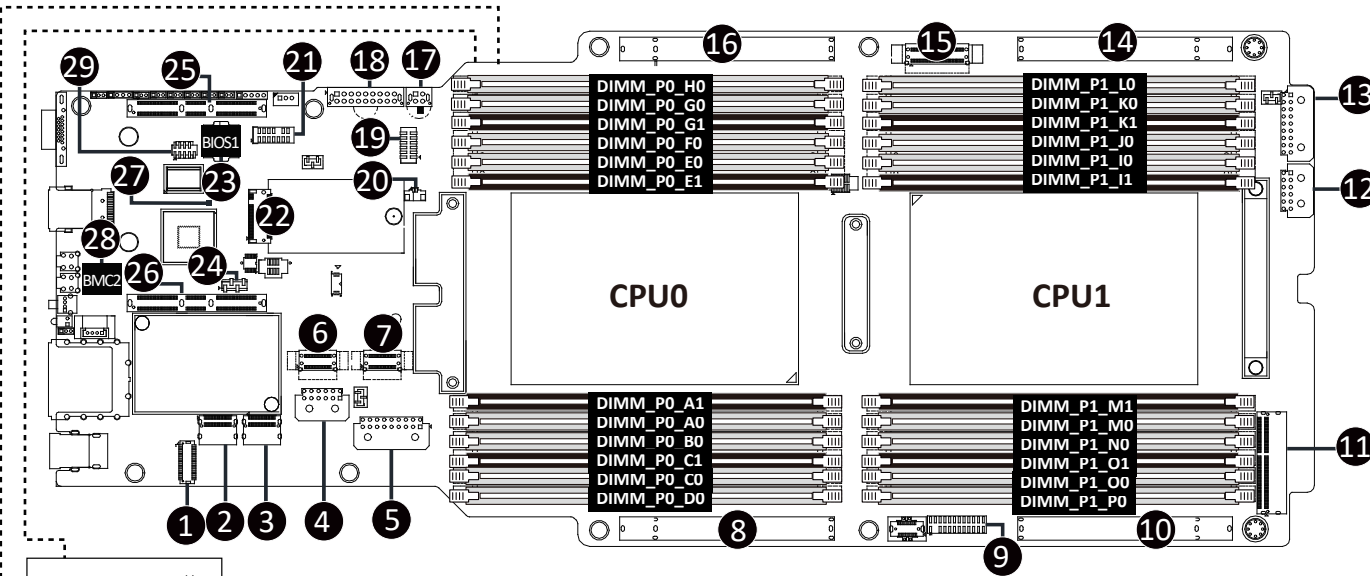


# Hardware Quick Installation Guide

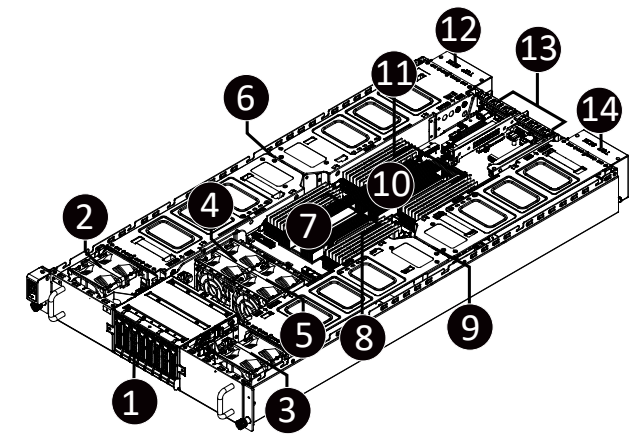
## Motherboard Components



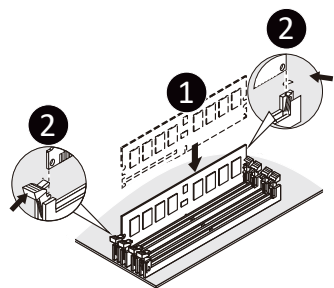
- 1 HDD Back Plane Board Connector (BP\_1)
- 2 MCIO Connector (U2\_P0\_PE4A/PCIe Gen5)
- 3 MCIO Connector (U2\_P0\_PE4B/PCIe Gen5)
- 4 2 x 6 Pin ATX Power Connector (ATX1\_2)
- 5 2 x 9 Pin ATX Power Connector (ATX1\_1)
- 6 MCIO Connector (U2\_P0\_PE4C/PCIe Gen5)
- 7 MCIO Connector (U2\_P0\_PE4D/PCIe Gen5)
- 8 PCIe x16 Slot #2 (PCIE\_2)
- 9 Front Panel Header (Primary)
- 10 PCIe x16 Slot #4 (PCIE\_4)
- 11 MCIO Connector (U2\_P1\_PE5/PCIe Gen5)
- 12 2 x 6 Pin ATX Power Connector (ATX2\_2)
- 13 2 x 9 Pin ATX Power Connector (ATX2\_1)
- 14 PCIe x16 Slot #3 (PCIE\_3)
- 15 MCIO Connector (U2\_P0\_PE0/PCIe Gen5)
- 16 PCIe x16 Slot #1 (PCIE\_1)
- 17 2 x 2 Pin Power Connector (SSI\_2X2P)
- 18 2 x 9 Pin Power Connector (SSI\_2X9P)
- 19 Front Panel Header (FP\_2/Secondary)
- 20 System Battery Cable Connector (BAT)
- 21 TPM Module Connector (SPI\_TPM)
- 22 PRoT Module Connector (PROT)
- 23 BIOS\_1 (BIOS\_2 at the back)
- 24 IPMB Connector (IPMB)
- 25 Proprietary PCIe Slot (GENZ\_1/Gen5 x16)
- 26 Proprietary PCIe Slot (GENZ\_2/Gen5 x16)
- 27 BMC Firmware Readiness LED (LED\_BMC)
- 28 BMC\_FLH2 (BMC\_FLH1 at the back)
- 29 COM Port Header (COM1)

## System Components

- 1 2.5" Hard Drives
- 2 GPU7/GPU8 FAN (GPU78\_FAN1 / GPU78\_FAN2)
- 3 GPU3/GPU4 FAN (GPU34\_FAN1 / GPU34\_FAN2)
- 4 System FAN2 (SYS\_FAN2\_1 / SYS\_FAN2\_2)
- 5 System FAN1 (SYS\_FAN1\_1 / SYS\_FAN1\_2)
- 6 GPU 5/GPU6 FAN (GPU56\_FAN1)
- 7 CPU1 and Heat Sink
- 8 CPU1 DDR5 Memory
- 9 GPU1/GPU2 FAN (GPU12\_FAN1)
- 10 CPU0 and Heat Sink
- 11 CPU0 DDR5 Memory
- 12 External GPU5/GPU6 Fan (GPU56E\_FAN)
- 13 Riser Slot
- 14 External GPU1/GPU2 Fan (GPU12E\_FAN)

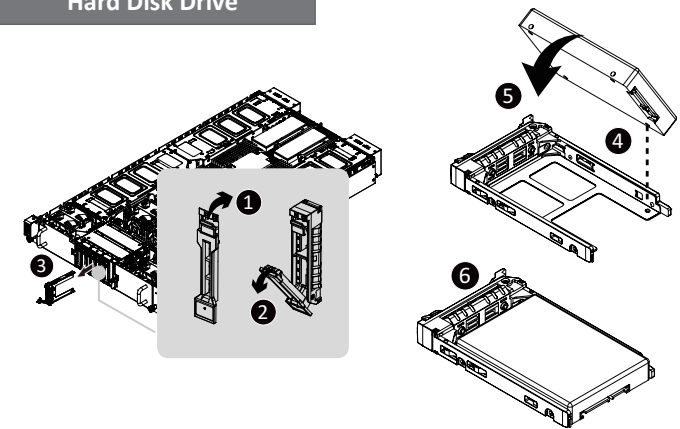


## Memory









Memory Q'ty for each CPU	CPU0												CPU1											
	H0	G0	G1	F0	E0	E1	A1	A0	B0	C1	C0	D0	P0	O0	O1	N1	M0	M1	I1	I0	J0	K1	K0	L0
1 DIMM								V												V				
4 DIMM		V			V			V			V		V				V			V				V
8 DIMM	V	V		V	V			V	V		V	V	V			V	V			V	V		V	V
12 DIMM	V	V	V	V	V	V	V	V	V	V	V	V	V	V	V	V	V	V	V	V	V	V	V	V

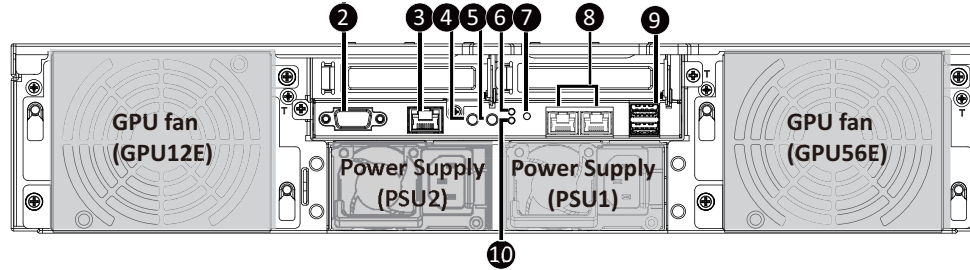
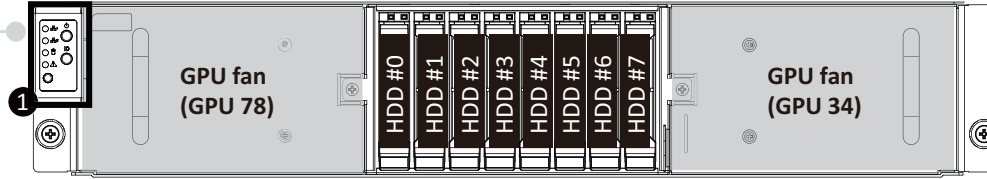
## Hard Disk Drive



# Hardware Quick Installation Guide

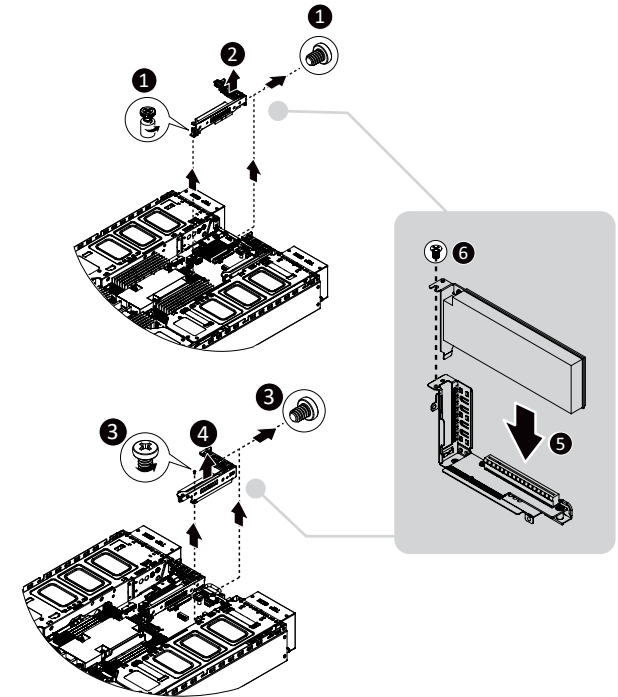
## System Appearance

-  Power Button with LED
-  ID Button with LED
-  LAN 1 Active/Link LED
-  LAN 2 Active/Link LED
-  HDD Status LED
-  System Status LED

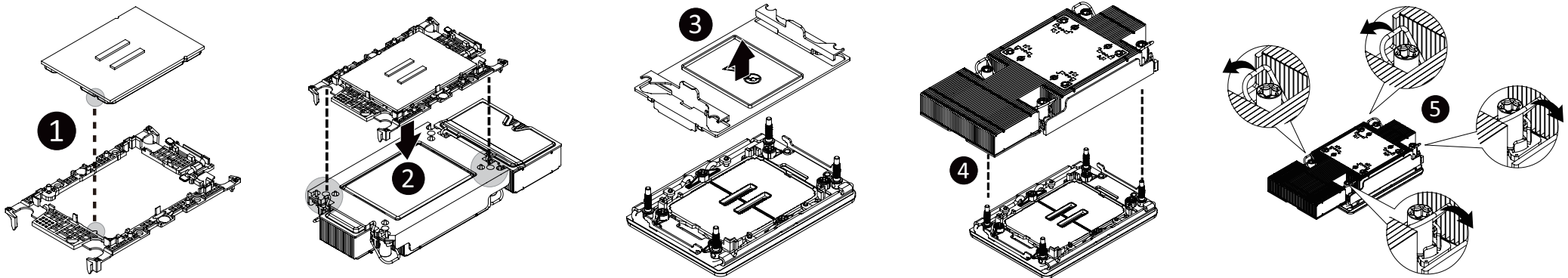


- |                                      |                            |                            |
|--------------------------------------|----------------------------|----------------------------|
| <b>1</b> Front panel LED and buttons | <b>5</b> ID Button         | <b>8</b> Data LAN Port x 2 |
| <b>2</b> VGA Port                    | <b>6</b> Reset Button      | <b>9</b> USB 3.0 Port x 2  |
| <b>3</b> Management LAN port         | <b>7</b> System Status LED | <b>10</b> NMI Button       |
| <b>4</b> Power Button with LED       |                            |                            |

## PCI Express Card



## CPU and Heat Sink



### NOTE!

- When installing the heatsink to CPU, use T30-Lobe driver to tighten 4 captive nuts in sequence as 1-4.
- Please refer to the Heatsink Label for the screw tightening torque value.

# Hardware Quick Installation Guide

GPU Card

