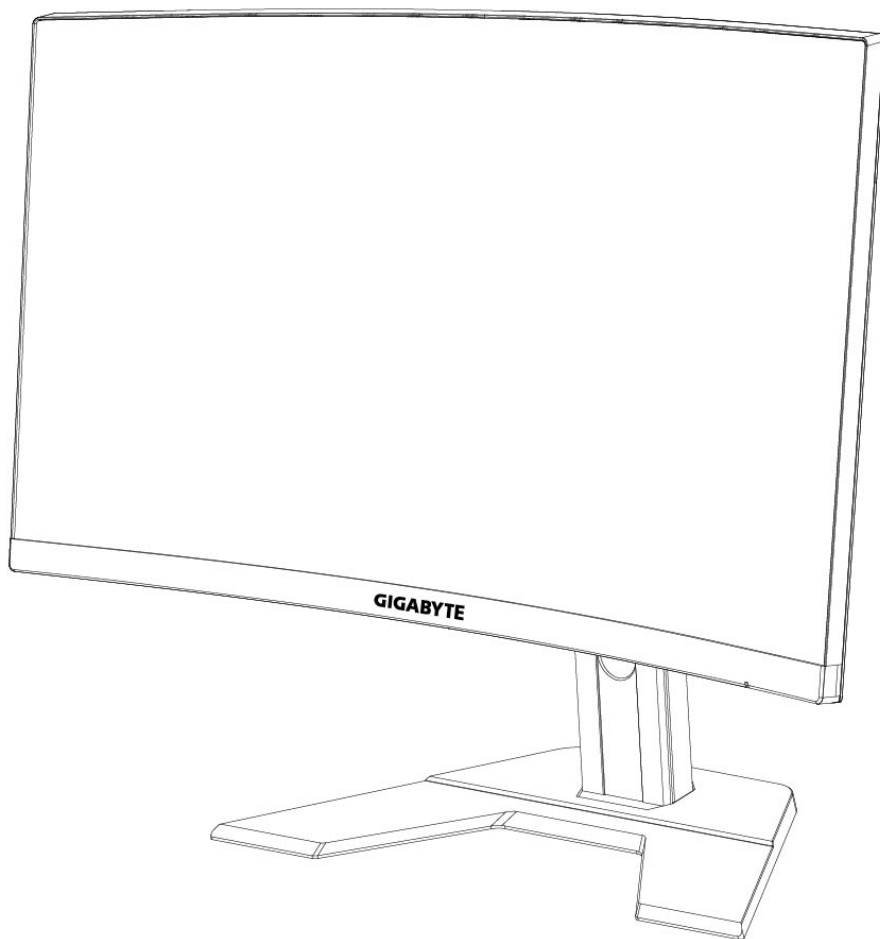


# GIGABYTE™



**G27QC**   
GAMING MONITOR

**USER GUIDE**



## **Copyright**

© 2020 GIGA-BYTE TECHNOLOGY CO., LTD. All rights reserved.

The trademarks mentioned in this manual are legally registered to their respective owners.

## **Disclaimer**

Information in this manual is protected by copyright laws and is the property of GIGABYTE.

Changes to the specifications and features in this manual may be made by GIGABYTE without prior notice.

No part of this manual may be reproduced, copied, translated, transmitted, or published in any form or by any means without GIGABYTE's prior written permission.

- In order to assist in the use of this monitor, carefully read the User Guide.
- For more information, check on our website at:  
<https://www.gigabyte.com>

# SAFETY INFORMATION

## Regulatory Notices

United States of America, Federal Communications Commission Statement

**Supplier's Declaration of Conformity**  
**47 CFR § 2.1077 Compliance Information**

Product Name: **LCD monitor**

Trade Name: **GIGABYTE**

Model Number: **G27QC A**

Responsible Party – U.S. Contact Information: **G.B.T. Inc.**

Address: 17358 Railroad street, City Of Industry, CA91748

Tel.: 1-626-854-9338

Internet contact information: <https://www.gigabyte.com>

**FCC Compliance Statement:**

This device complies with Part 15 of the FCC Rules, Subpart B, Unintentional Radiators.

Operation is subject to the following two conditions: (1) This device may not cause harmful interference, and (2) this device must accept any interference received, including interference that may cause undesired operation.

This equipment has been tested and found to comply with the limits for a Class B digital device, pursuant to Part 15 of the FCC Rules. These limits are designed to provide reasonable protection against harmful interference in a residential installation. This equipment generates, uses and can radiate radio frequency energy and, if not installed and used in accordance with manufacturer's instructions, may cause harmful interference to radio communications. However, there is no guarantee that interference will not occur in a particular installation. If this equipment does cause harmful interference to radio or television reception, which can be determined by turning the equipment off and on, the user is encouraged to try to correct the interference by one or more of the following measures:

- Reorient or relocate the receiving antenna.
- Increase the separation between the equipment and receiver.
- Connect the equipment to an outlet on a circuit different from that to which the receiver is connected.
- Consult the dealer or an experienced radio/TV technician for help.

### **Canadian Department of Communications Statement**

This digital apparatus does not exceed the Class B limits for radio noise emissions from digital apparatus set out in the Radio Interference Regulations of the Canadian Department of Communications. This class B digital apparatus complies with Canadian ICES-003.

### **Avis de conformité à la réglementation d'Industrie Canada**

Cet appareil numérique de la classe B est conforme à la norme NMB-003 du Canada.

### **European Union (EU) CE Declaration of Conformity**

This device complies with the following directives: Electromagnetic Compatibility Directive 2014/30/EU, Low-voltage Directive 2014/35/EU, ErP Directive 2009/125/EC, RoHS directive (recast) 2011/65/EU & the 2015/863 Statement.

This product has been tested and found to comply with all essential requirements of the Directives.

### **European Union (EU) RoHS (recast) Directive 2011/65/EU & the European Commission Delegated Directive (EU) 2015/863 Statement**

GIGABYTE products have not intended to add and safe from hazardous substances (Cd, Pb, Hg, Cr+6, PBDE, PBB, DEHP, BBP, DBP and DIBP). The parts and components have been carefully selected to meet RoHS requirement. Moreover, we at GIGABYTE are continuing our efforts to develop products that do not use internationally banned toxic chemicals.

### **European Union (EU) Community Waste Electrical & Electronic Equipment (WEEE) Directive Statement**

GIGABYTE will fulfill the national laws as interpreted from the 2012/19/EU WEEE (Waste Electrical and Electronic Equipment) (recast) directive. The WEEE Directive specifies the treatment, collection, recycling and disposal of electric and electronic devices and their components. Under the Directive, used equipment must be marked, collected separately, and disposed of properly.

### **WEEE Symbol Statement**



The symbol shown below is on the product or on its packaging, which indicates that this product must not be disposed of with other waste. Instead, the device should be taken to the waste collection centers for activation of the treatment, collection, recycling and disposal procedure.

For more information about where you can drop off your waste equipment for recycling, please contact your local government office, your household waste disposal service or where you purchased the product for details of environmentally safe recycling.

## End of Life Directives-Recycling



The symbol shown below is on the product or on its packaging, which indicates that this product must not be disposed of with other waste. Instead, the device should be taken to the waste collection centers for activation of the treatment, collection, recycling and disposal procedure.

## Déclaration de Conformité aux Directives de l'Union européenne (UE)

Cet appareil portant la marque CE est conforme aux directives de l'UE suivantes: directive Compatibilité Electromagnétique 2014/30/UE, directive Basse Tension 2014/35/UE, directive 2009/125/CE en matière d'écoconception, la directive RoHS II 2011/65/UE & la déclaration 2015/863.

La conformité à ces directives est évaluée sur la base des normes européennes harmonisées applicables.

## European Union (EU) CE-Konformitätserklärung

Dieses Produkte mit CE-Kennzeichnung erfüllen folgenden EU-Richtlinien: EMV-Richtlinie 2014/30/EU, Niederspannungsrichtlinie 2014/30/EU, Ökodesign-Richtlinie 2009/125/EC, RoHS-Richtlinie 2011/65/EU erfüllt und die 2015/863 Erklärung.

Die Konformität mit diesen Richtlinien wird unter Verwendung der entsprechenden Standards zur Europäischen Normierung beurteilt.

## CE declaração de conformidade

Este produto com a marcação CE estão em conformidade com das seguintes Diretivas UE: Diretiva Baixa Tensão 2014/35/EU; Diretiva CEM 2014/30/EU; Diretiva Conceção Ecológica 2009/125/CE; Diretiva RSP 2011/65/UE e a declaração 2015/863.

A conformidade com estas diretivas é verificada utilizando as normas europeias harmonizadas.

## CE Declaración de conformidad

Este producto que llevan la marca CE cumplen con las siguientes Directivas de la Unión Europea: Directiva EMC 2014/30/EU, Directiva de bajo voltaje 2014/35/EU, Directiva de Ecodiseño 2009/125/EC, Directiva RoHS 2011/65/EU y la Declaración 2015/863.

El cumplimiento de estas directivas se evalúa mediante las normas europeas armonizadas.

## Deklaracja zgodności UE Unii Europejskiej

Urządzenie jest zgodne z następującymi dyrektywami: Dyrektywa kompatybilności elektromagnetycznej 2014/30/UE, Dyrektywa niskonapięciowej 2014/35/UE, Dyrektywa ErP 2009/125/WE, Dyrektywa RoHS 2011/65/UE i dyrektywa 2015/863.

Niniejsze urządzenie zostało poddane testom i stwierdzono jego zgodność z wymaganiami dyrektywy.

### ES Prohlášení o shodě

Toto zařízení splňuje požadavky Směrnice o Elektromagnetické kompatibilitě 2014/30/EU, Směrnice o Nízkém napětí 2014/35/EU, Směrnice ErP 2009/125/ES, Směrnice RoHS 2011/65/EU a 2015/863.

Tento produkt byl testován a bylo shledáno, že splňuje všechny základní požadavky směrnic.

### EK megfeleléségi nyilatkozata

A termék megfelelnek az alábbi irányelvek és szabványok követelményeinek, azok a kiállításidőpontjában érvényes, aktuális változatában: EMC irányelv 2014/30/EU, Kisfeszültségű villamos berendezésekre vonatkozó irányelv 2014/35/EU, Környezetbarát tervezésről szóló irányelv 2009/125/EK, RoHS irányelv 2011/65/EU és 2015/863.

### Δήλωση συμμόρφωσης ΕΕ

Είναι σε συμμόρφωση με τις διατάξεις των παρακάτω Οδηγιών της Ευρωπαϊκής Κοινότητας: Οδηγία 2014/30/ΕΕ σχετικά με την ηλεκτρομαγνητική συμβατότητα, Οδηγία χαμηλή τάση 2014/35/ΕU, Οδηγία 2009/125/ΕΚ σχετικά με τον οικολογικό σχεδιασμό, Οδηγία RoHS 2011/65/ΕΕ και 2015/863.

Η συμμόρφωση με αυτές τις οδηγίες αξιολογείται χρησιμοποιώντας τα ισχύοντα εναρμονισμένα ευρωπαϊκά πρότυπα.

### Japan Class 01 Equipment Statement

#### 安全にご使用いただくために

接地接続は必ず電源プラグを電源につなぐ前に行ってください。

また、接地接続を外す場合は、必ず電源プラグを電源から切り離してから行って下さい。

### Japan VCCI Class B Statement

#### クラス B VCCI 基準について

この装置は、クラス B 情報技術装置です。この装置は、家庭環境で使用することを目的としていますが、この装置がラジオやテレビジョン受信機に近接して使用されると、受信障害を引き起こすことがあります。

取扱説明書に従って正しい取り扱いをして下さい。

VCCI-B

## China RoHS Compliance Statement

### 中国《废弃电器电子产品回收处理管理条例》提示性说明

为了更好地关爱及保护地球，当用户不再需要此产品或产品寿命终止时，请遵守国家废弃电器电子产品回收处理相关法律法规，将其交给当地具有国家认可的回收处理资质的厂商进行回收处理。

## 环保使用期限

### Environment-friendly use period



此标识指期限（十年），电子电气产品中含有的有害物质在正常使用的条件下不会发生外泄或突变，电子电气产品用户使用该电子电气产品不会对环境造成严重污染或对其人身、财产造成严重损害的期限。

## 产品中有害物质名称及含量：

部件名称	有害物质					
	铅 (Pb)	汞 (Hg)	汞 (Hg)	六价铬 (Cr <sup>+6</sup> )	多溴联苯 (PBB)	多溴二苯醚 (PBDE)
印刷电路板及其电子组件	X	○	○	○	○	○
液晶面板	X	○	○	○	○	○
外壳	○	○	○	○	○	○
外部信号接头及线材	X	○	○	○	○	○

本表格依据 SJ/T 11364 的规定编制。

This table is prepared in compliance with the requirements of SJ/T 11364

○：表示该有害物质在该部件所有均质材料中的含量均在 GB/T 26572 规定的限量要求以下。

X：表示该有害物质至少在该部件的某一均质材料中的含量超出 GB/T 26572 规定的限量要求。

## 限用物質含有情況標示聲明書

### Declaration of the Presence Condition of the Restricted Substances

#### Marking

設備名稱：液晶顯示器 Equipment name		型號（型式）：G27QC A Type designation (Type)				
單元 Unit	限用物質及其化學符號 Restricted substances and its chemical symbols					
	鉛 Lead (Pb)	汞 Mercury (Hg)	鎘 Cadmium (Cd)	六價鉻 Hexavalent chromium (Cr <sup>+6</sup> )	多溴聯苯 Polybrominated biphenyls (PBB)	多溴二苯醚 Polybrominated diphenyls ethers (PBDE)
塑料外框	○	○	○	○	○	○
後殼	○	○	○	○	○	○
液晶面板	—	○	○	○	○	○
電路板組件	—	○	○	○	○	○
底座	○	○	○	○	○	○
電源線	—	○	○	○	○	○
其他線材	—	○	○	○	○	○
備考 1. “超出 0.1 wt %” 及 “超出 0.01 wt %” 係指限用物質之百分比含量超出百分比含量基準值。 Note 1: “Exceeding 0.1 wt %” and “exceeding 0.01 wt %” indicate that the percentage content of the restricted substance exceeds the reference percentage value of presence condition.						
備考 2. “○” 係指該項限用物質之百分比含量未超出百分比含量基準值。 Note 2: “○” indicates that the percentage content of the restricted substance does not exceed the percentage of reference value of presence.						
備考 3. “—” 係指該項限用物質為排除項目。 Note 3: The “—” indicates that the restricted substance corresponds to the exemption						



## Safety Precautions

Read through the following *Safety Precautions* before using the monitor.

- Only use the accessories that are provided with the monitor or that which are recommended by the manufacturer.
- Keep the plastic packaging bag for the product in a place that cannot be reached by children.
- Before connecting the monitor to the power outlet, make sure that the voltage rating of the power cable is compatible with the power specification in the country where you are located.
- The power cord plug must be connected to a properly wired and grounded power outlet.
- Do not touch the plug with wet hands, otherwise easily cause electric shock.
- Place the monitor in a stable and well-ventilated place.
- Do not place the monitor near any heat sources such as electric radiators or direct sunlight.
- The holes or openings on the monitor are for ventilation. Do not cover or block the ventilation holes with any objects.
- Do not use the monitor near water, drinks, or all types of liquids. Failure to do so may result in electric shock or damage to the monitor.
- Make sure to unplug the monitor from the power outlet before cleaning.
- As the screen surface is easy to be scratched, avoid touching the surface with any hard or sharp object.
- Use a soft lint-free cloth instead of a tissue to wipe the screen. You may use a glass cleaner to clean the monitor if required. However, never spray the cleaner directly onto the screen.
- Disconnect the power cable if the monitor is not being used for a long period of time.
- Do not attempt to disassemble or repair the monitor yourself.

# Contents

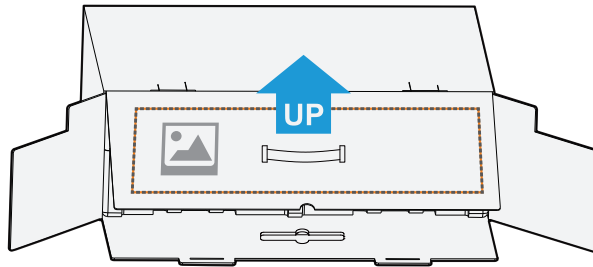
<b>SAFETY INFORMATION .....</b>	<b>3</b>
Regulatory Notices .....	3
Safety Precautions .....	7
<b>INTRODUCTION.....</b>	<b>10</b>
Unpacking.....	10
Package Contents .....	12
Product Overview .....	13
<b>GETTING STARTED .....</b>	<b>15</b>
Installing the Stand Base .....	15
Lift the monitor .....	17
Adjusting the Viewing Angle .....	18
Installing a Wall-Mount Bracket (Optional) .....	20
Making Connections .....	22
<b>USING THE DEVICE .....</b>	<b>23</b>
Turning the Power On/Off.....	23
User Comfort Recommendations.....	24
Selecting the Input Source .....	25
<b>OPERATIONS.....</b>	<b>26</b>
<b>Quick Menu .....</b>	<b>26</b>
Function Key Guide .....	28
Configure the Device Settings.....	31
<b>APPENDICES .....</b>	<b>40</b>
Specifications.....	40
Supported Timing List.....	41
Troubleshooting .....	43
Basic Care .....	44
Notes on USB Charging.....	44

**GIGABYTE Service Information.....44**

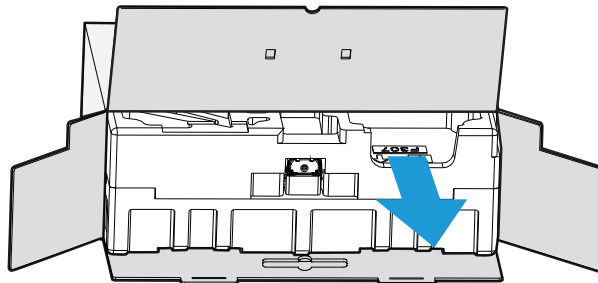
# INTRODUCTION

## Unpacking

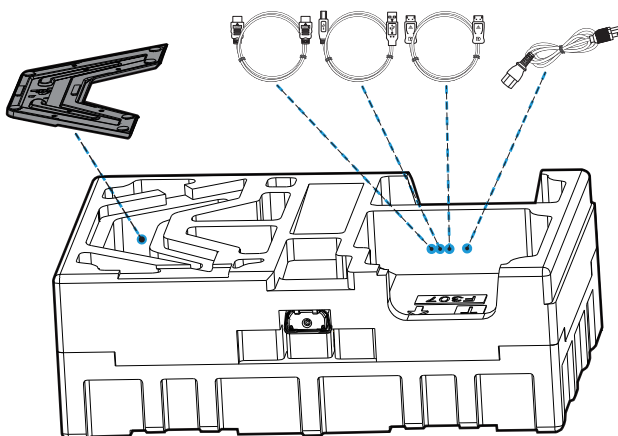
1. Open the upper cover of the packaging box. Then observe the unpacking instruction attached on the inner cover. Making sure the box is in the correct orientation, carefully lay the box on the stable surfacepen.



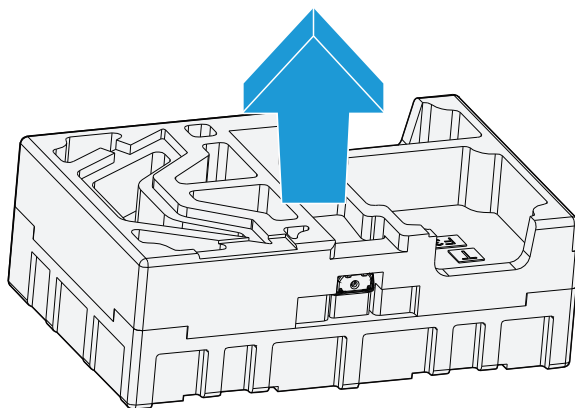
2. Open the inner cover. Grab the EPS foam assembly (through the openings) to pull it out of the box.



3. Remove the items from the upper EPS foam.

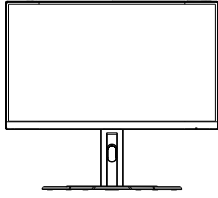


4. Remove the upper EPS foam. Then you can remove the stand from the lower EPS foam.

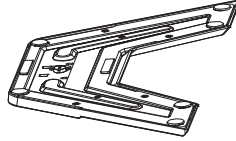


## Package Contents

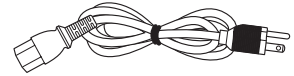
The following items come with your packaging box. If any of them is missing, please contact your local dealer.



Monitor



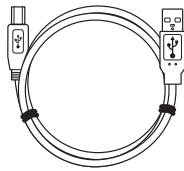
Monitor Base



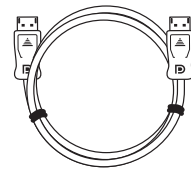
Power Cable



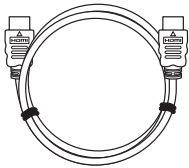
Stand



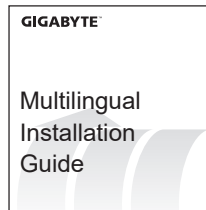
USB Cable



DP Cable



HDMI Cable



Quick Start Guide

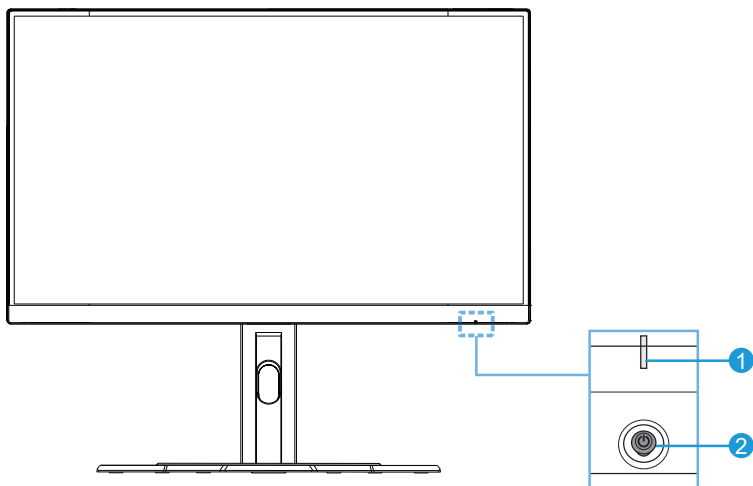


Warranty Card

**Note:** Please keep the packaging box and packing materials for future transportation of the monitor.

## Product Overview

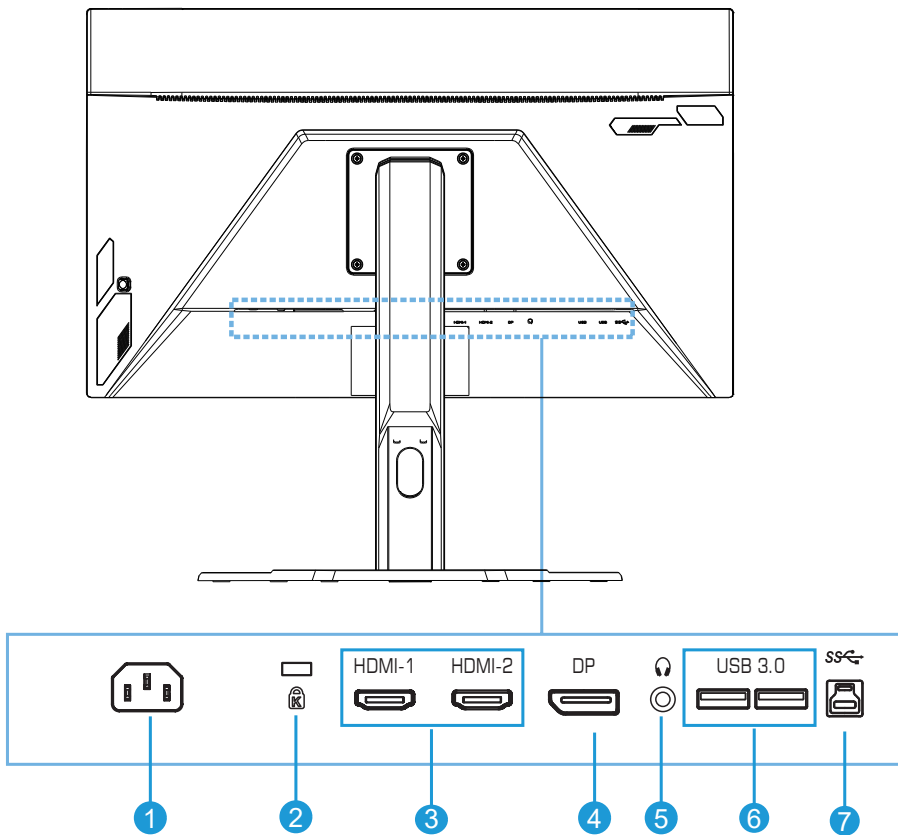
### Front View



1 Power LED

2 Control button

## Rear View



**1** AC IN jack

**2** Kensington lock

**3** HDMI ports (x2)

**4** DisplayPort

**5** Headphone jack

**6** USB 3.0 ports (x2)

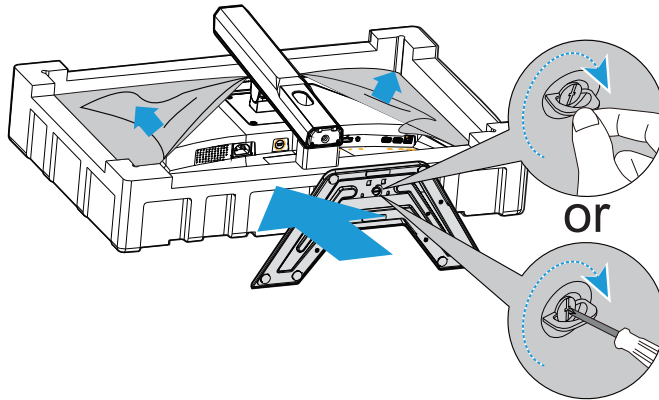
**7** USB upstream port



## GETTING STARTED

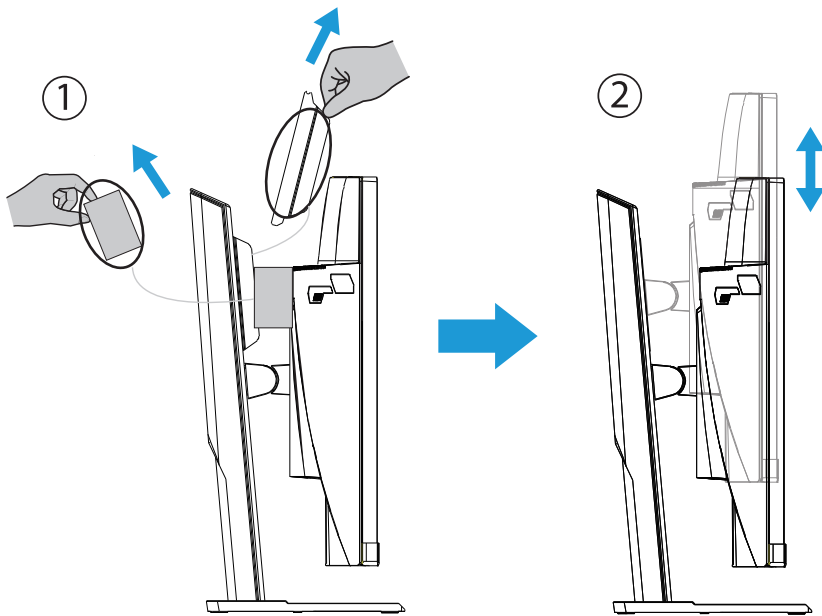
### Installing the Stand Base

1. Align the Stand base with the stand off underneath the stand. Then attach the base onto the stand. Tighten the screw to secure the monitor base in place.

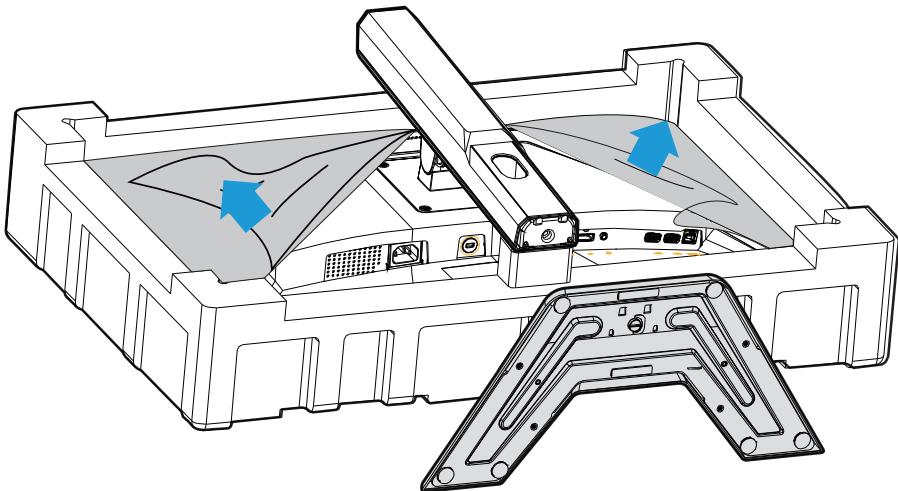


**Note:** You can either use a coin or a small flathead screwdriver to tighten the screw.

2. Lift the assembled Stand & Base to an upright position and place it on a table. Then lower the stand plate to allow the safety plate to automatically release from its slot.

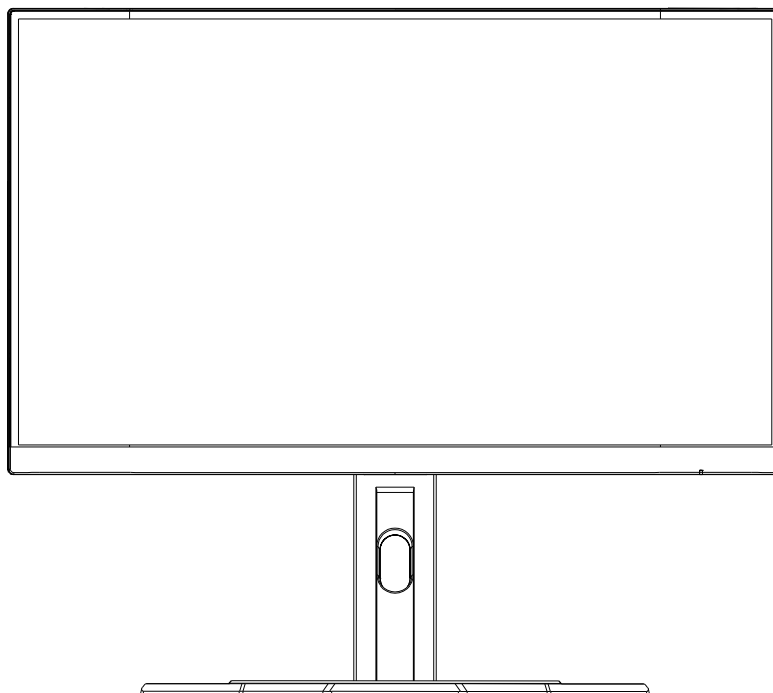


3. Place the monitor on the package cushion or a flat surface, with screen facing down. Tear apart the EPE bag, install the stand on the rear side of the monitor. Then you can take the monitor from the lower EPS foam by holding the stand arm. Carefully lift the monitor. Place it upright on a table.



### Lift the monitor

Take the monitor out of the box by holding the stand arm. Carefully lift the monitor, turn it over and place it upright on its stand on a flat even surface. Remove the foam wrap from the monitor.



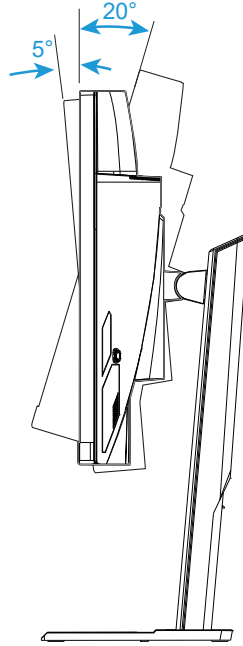
**Note:** Consider keeping the box and packaging in storage for use in the future when you may need to transport the monitor. The fitted foam packing is ideal for protecting the monitor during transport.

## Adjusting the Viewing Angle

**Note:** Hold the monitor base so that the screen does not topple when you make the adjustment.

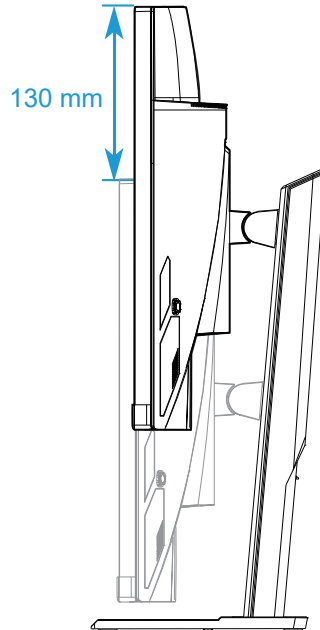
## Adjusting the Tilt Angle

Tilt the screen forward or backward to the desired viewing angle (-5° to 20°).



## Changing the Screen Orientation

Raise the screen to the highest position (130mm).



**Note:** Before making the height adjustment, make sure you have removed the safety plate from the stand.

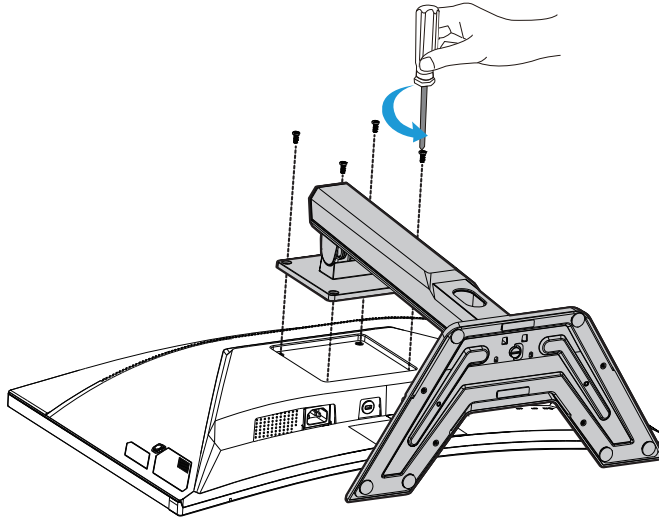
## Installing a Wall-Mount Bracket (Optional)

Use only the 100 x 100 mm wall mount kit recommended by the manufacturer.

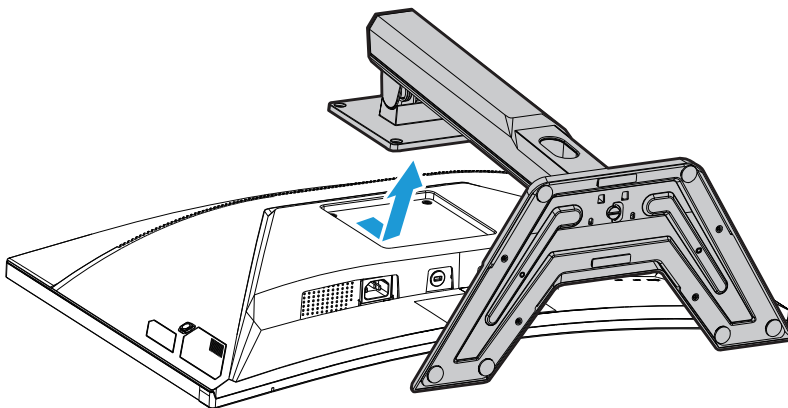
1. Place the monitor on a flat surface, with the screen facing down.

**Note:** We recommend that you cover the table surface with soft cloth to prevent damage to the monitor.

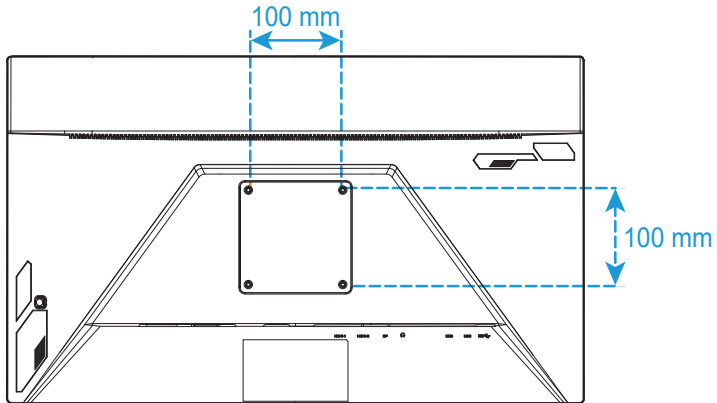
2. Push the locking clips inward to detach the stand from the monitor.



3. Pull down the stand slightly to disengage the hooks. Then remove the stand.

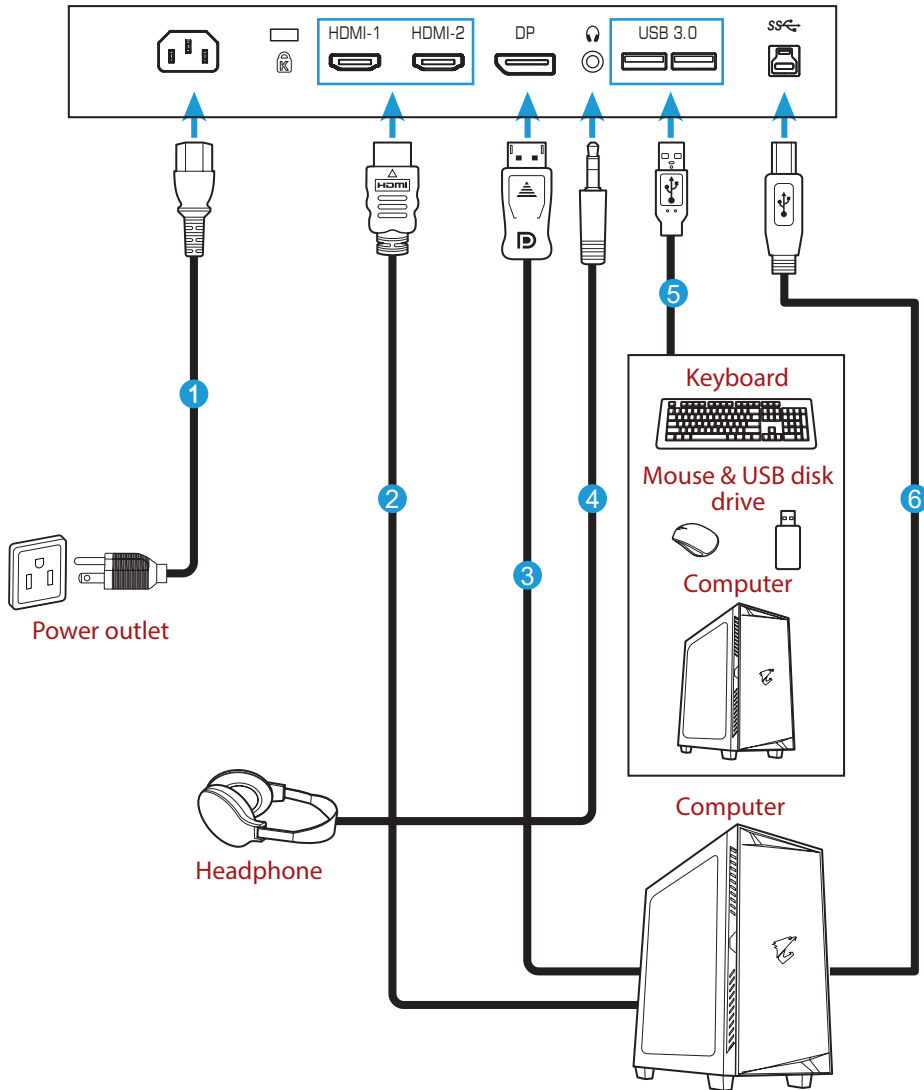


4. Attach the mounting bracket to the mounting holes at the rear of the monitor. Then use the screws to secure the bracket in place.



**Note:** To mount the monitor on the wall, refer to the installation guide that is included in the wall-mount bracket kit.

## Making Connections



- 1** Power cable
- 2** HDMI cable
- 3** DisplayPort cable
- 4** Headphone cable

- 5** USB cable
- 6** USB (A-Male to B-Male) cable



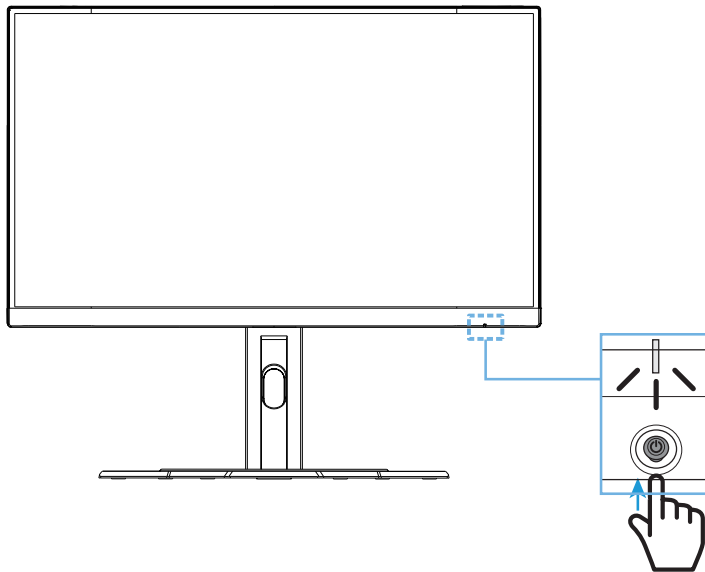
## USING THE DEVICE

### Turning the Power On/Off

Make sure the power switch next to the AC power input jack is switched to **ON**.

#### Power On

1. Connect one end of the power cable to the AC IN jack at the rear of the monitor.
2. Connect other end of the the power cable to a power outlet.
3. Press the **Control** button to turn on the monitor. The Power LED will light in white, indicating the monitor is ready to use.



#### Power Off

Press the **Control** button for 2 seconds to turn off the monitor.



**Note:** When the **Main** menu appears on the screen, you can also turn off the monitor by moving the **Control** button down (⏮). Refer to page 28.

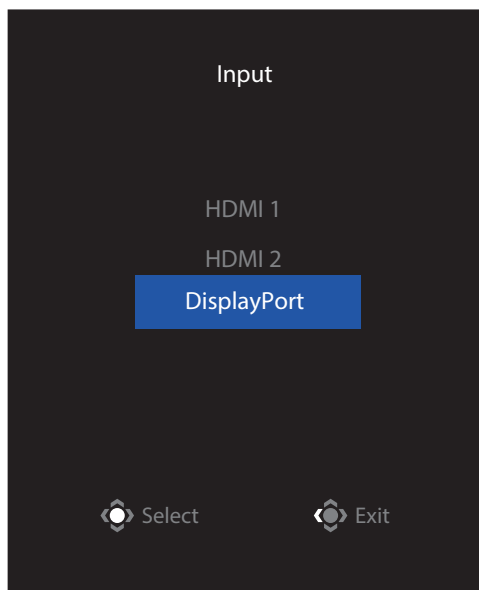
## User Comfort Recommendations

The following are some tips for comfortable viewing of your monitor:

- Optimal viewing distances for monitors range from approximately 510 mm to 760 mm (20" to 30").
- A general guideline is to position the monitor such that the top of the screen is at or slightly below your eye-height when you are comfortably seated.
- Use adequate lighting for the type of work you are performing.
- Take regular and frequent breaks (at least for 10 minutes) every half- hour.
- Be sure to periodically look away from your monitor screen and focus on a far object for at least 20 seconds during the breaks.
- Eye exercise can help reduce eye strain. Repeat these exercises frequently: (1) look up and down (2) slowly roll your eye (3) move your eyes diagonally.

## Selecting the Input Source

1. Move the **Control** button right (  ) to enter the **Input** menu.
2. Move the **Control** button center (  ) to select the desired input source. Then press the **Control** button to confirm.



# OPERATIONS

## Quick Menu

### Hot Key

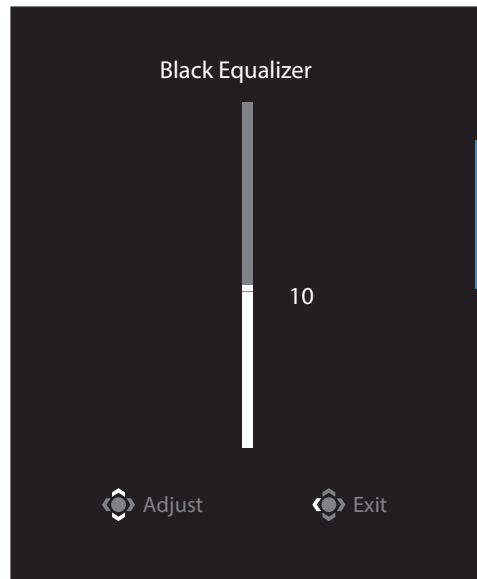
By default, the **Control** button has been assigned with the specific function.

**Note:** To change the preset hot key function, refer to the "Quick Switch" section on page 36.

To access the hot key function, do the following:

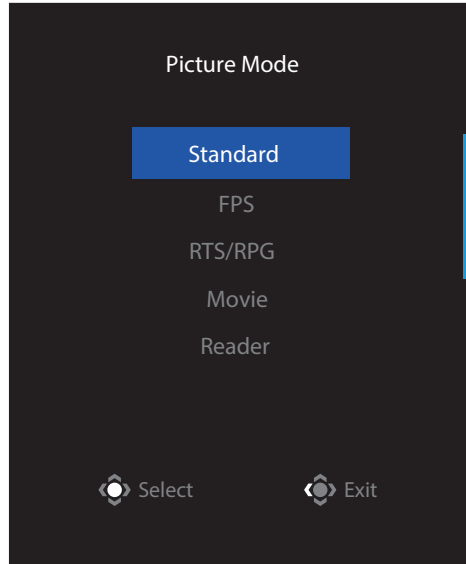
- Move the **Control** button up (⬆️) to enter the **Black Equalizer** menu.

Move the **Control** button up/down (⬆️) to adjust the setting and press the **Control** button to confirm.



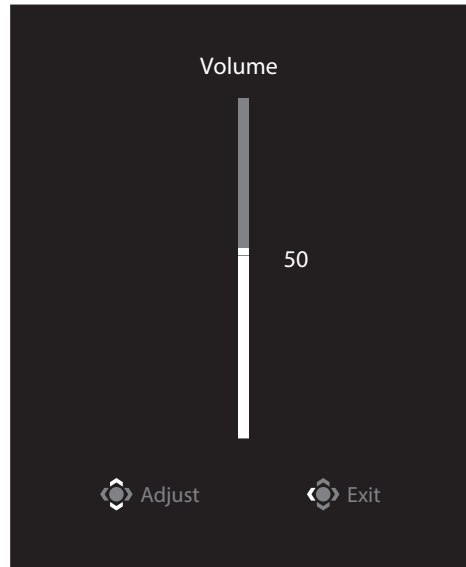
- Move the **Control** button down (⤵) to enter the **Picture Mode** menu.

Move the **Control** button center (⤵) to select the desired option and press the **Control** button to confirm.



- Move the **Control** button left (⤵) to enter the **Volume** menu.

Move the **Control** button up/down (⤵) to adjust the headphone volume level and press the **Control** button to confirm.

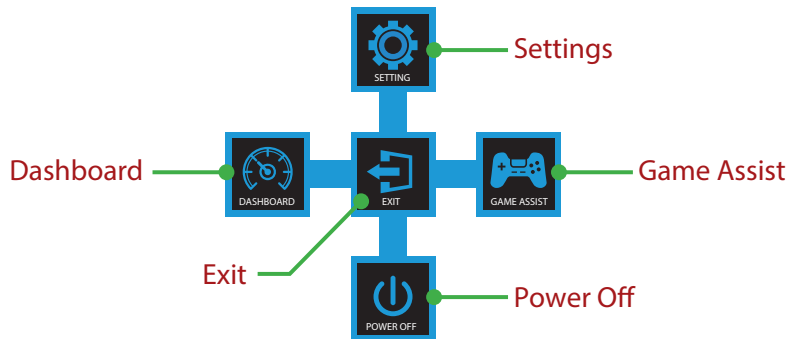


- Move the **Control** button right (⤵) to enter the the **Input** menu. Refer to the "Selecting the Input Source" section.

**Note:** To close the menu, move the **Control** button left (⤵).

## Function Key Guide

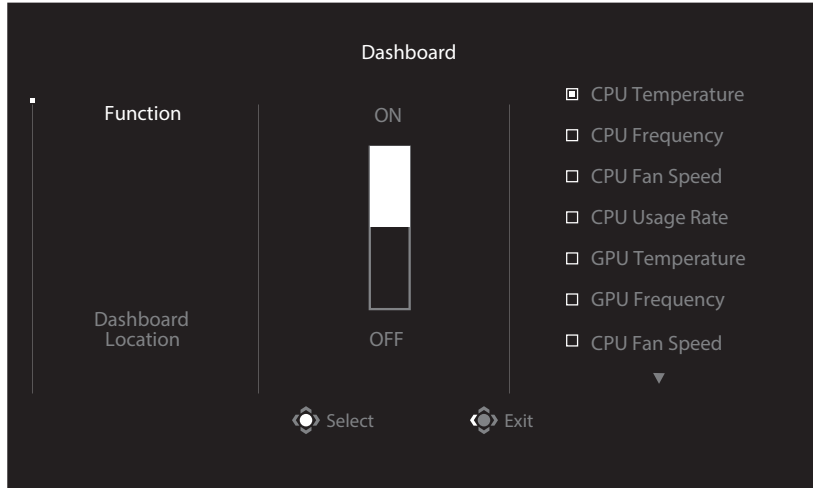
- Press the **Control** button to display the Main menu.



Then use the **Control** button to select the desired function and configure the related settings.

### Dashboard

When the **Main** menu appears on the screen, move the **Control** button left (←) to enter the **Dashboard** menu.



- Function:** Enable/Disable the function. When enabled, you can select the desired option(s) to be shown on the screen.
- Dashboard Location:** Specify the location of the Dashboard information to be shown on the screen.

Once the Dashboard configuration is complete, it will transfer the system data to the SOC through the USB port and display the value of the selected function(s) on the screen.

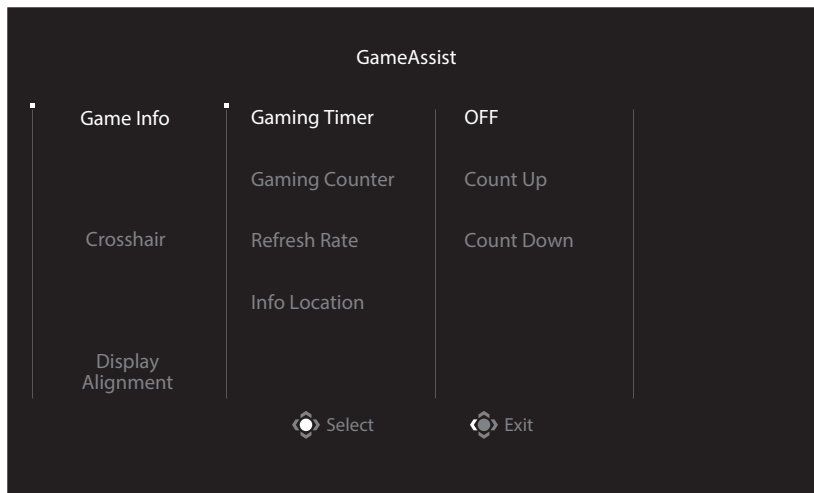


**Note:** Make sure the USB cable is properly connected to the USB upstream port of the monitor and the USB port of your computer.

**Note:** "OSD Sidekick" software installation and execution required.

### Game Assist

- When the **Main** menu appears on the screen, move the **Control** button right (⬆️) to enter the **Game Assist** menu.



- **Game INFO:** Configure the FPS (First Person Shooting) game related settings.
  - √ Select **Gaming Timer** to select countdown timer mode. To disable this function, set the setting to **OFF**.
  - √ Select **Gaming Counter** or **Refresh Rate** to enable/disable the gaming counter or real-time refresh rate setting.
  - √ Select **Info Location** to specify the location of the information to be shown on the screen.



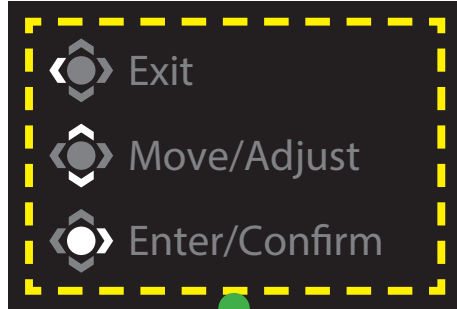
- **Crosshair:** Select the desired crosshair type to suit your gaming environment. It makes aiming much easier.
- **Display Alignment:** When the function is enabled, it displays the alignment lines on the four sides of the screen, providing handy tool for you to line up multiple monitors perfectly.



### Configure the Device Settings

When the **Main** menu appears on the screen, move the **Control** button up (⬆️) to enter the **Settings** menu.

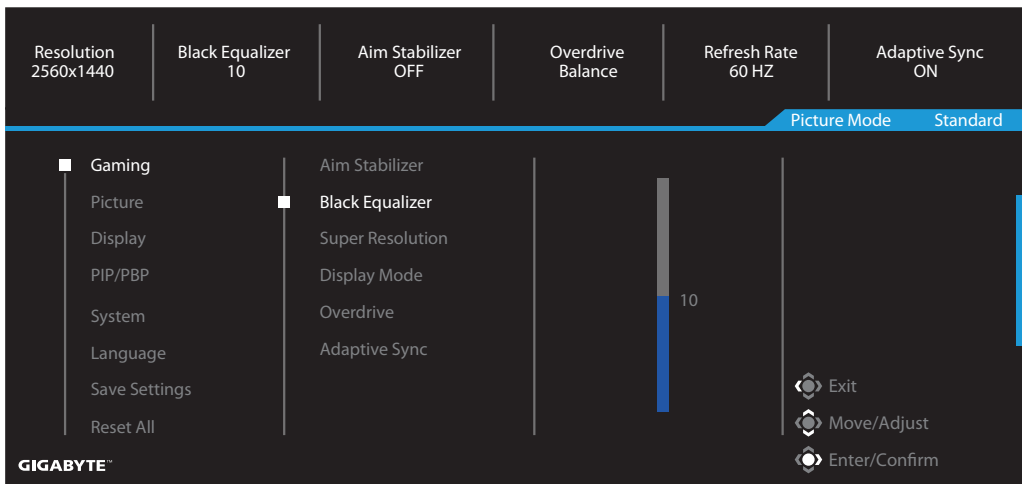
**Note:** Use the **Control** button to navigate through the menu and make adjustments.



## Button Guide

### Gaming

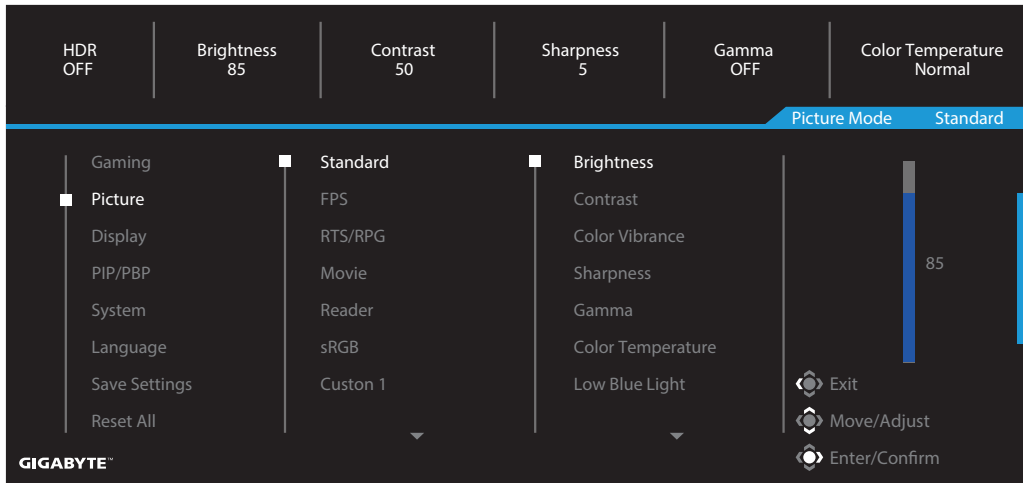
Configure the game related settings.



Item	Description
Aim Stabilizer	<p>When this function is enabled, it reduces the motion blur in a fast moving games.</p> <p><b>Note:</b> This function is not available under the following conditions:</p> <ul style="list-style-type: none"> <li>- when the frequency setting is lower than 100Hz.</li> <li>- when the Adaptive Sync function is activated.</li> </ul>
Black Equalizer	Adjust the brightness of the black areas.
Super Resolution	Sharpen the low resolution images.
Display Mode	<p>Select the aspect ratio of the screen.</p> <ul style="list-style-type: none"> <li>• Full: Scale the input image to fill the screen. Ideal for 16:9 aspect images.</li> <li>• Aspect: Display the input image without geometric distortion filling as much of the screen as possible.</li> <li>• 1:1: Display the input image in its native resolution without scaling.</li> <li>• 22"W (16:10): Display the input image as if on a 22"W monitor of 16:10 aspect ratio.</li> <li>• 23"W (16:9): Display the input image as if on a 23"W monitor of 16:9 aspect ratio.</li> <li>• 23.6"W (16:9): Display the input image as if on a 23.6"W monitor of 16:9 aspect ratio.</li> <li>• 24"W (16:9): Display the input image as if on a 24"W monitor of 16:9 aspect ratio</li> </ul> <p><b>Note:</b> This option is not compatible with Adaptive Sync and PIP/ PBP functions.</p>
Overdrive	Improve the response time of the LCD monitor.
Adaptive Sync	When this function is enabled, it eliminates the screen lag and tearing while playing games.

## Picture

Configure the image related settings.

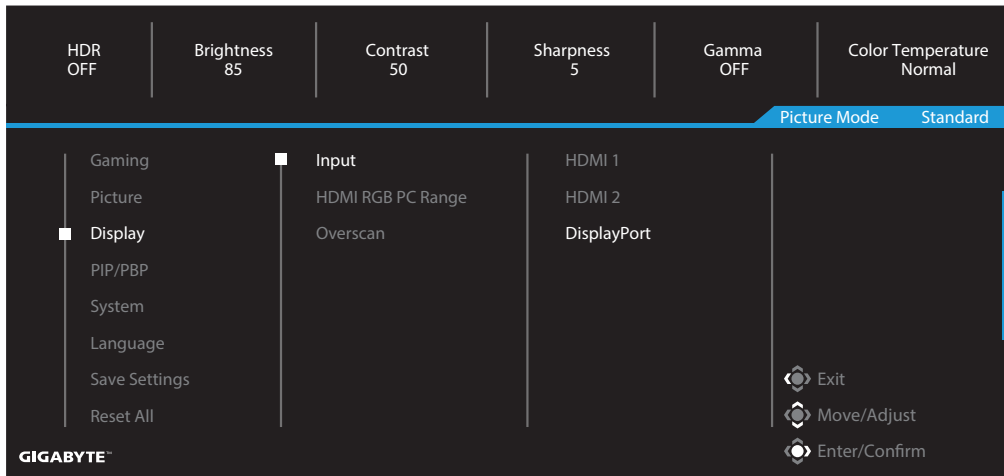


Item	Description
Standard	For editing documents or browsing websites.
FPS	For playing FPS (First Person Shooting) games.
RTS/RPG	For playing RTS (Real-Time Strategy) or RPG (Role-Playing Game) games.
Movie	For watching movies.
Reader	For viewing documents.
sRGB	For viewing photos and graphics on the computer.
Custom 1	Customized picture mode settings.
Custom 2	Customized picture mode settings.
Custom 3	Customized picture mode settings.

**Note:** Picture mode “Standard”, Low blue light “Level 10” is the optimized setting in compliance with TUV Low Blue Light Certification”.

## Display

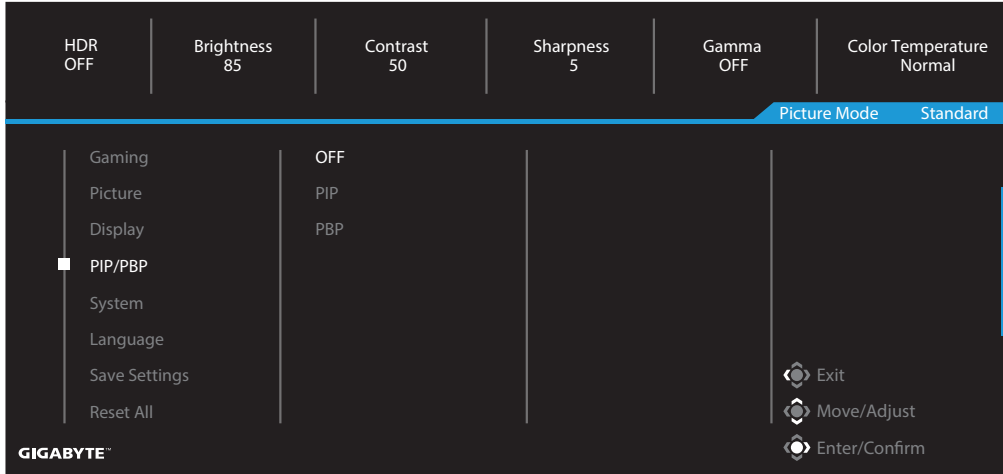
Configure the display screen related settings.



Item	Description
Input	Select the input source.
HDMI RGB PC Range	Select an appropriate RGB range setting or let the monitor to detect it automatically. <b>Note:</b> This option is only available for HDMI input.
Overscan	When this function is enabled, it slightly enlarges the input image to hide the outermost edges of the image.

## PIP/PBP

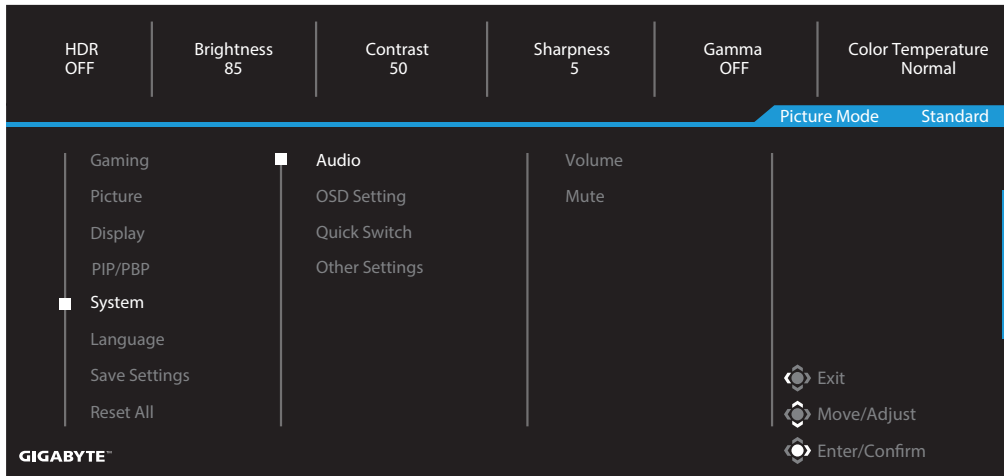
Configure the multi-picture related settings.



Item	Description
OFF	Disable the PIP/PBP function.
PIP	<p>Split the screen into 2 parts (main window and inset window).</p> <ul style="list-style-type: none"> <li>• Source: Change the input source for the inset window.</li> <li>• PIP Size: Adjust the inset window size.</li> <li>• Location: Move the inset window position.</li> <li>• Display Switch: Swap the two windows.</li> <li>• Audio Switch: Select which audio source you want to hear the sound from.</li> </ul>
PBP	<p>Display 1x1 split screen (left and right windows).</p> <ul style="list-style-type: none"> <li>• Source: Change the input source for the right window.</li> <li>• Display Switch: Swap the two windows.</li> <li>• Audio Switch: Select which audio source you want to hear the sound from.</li> </ul>

## System

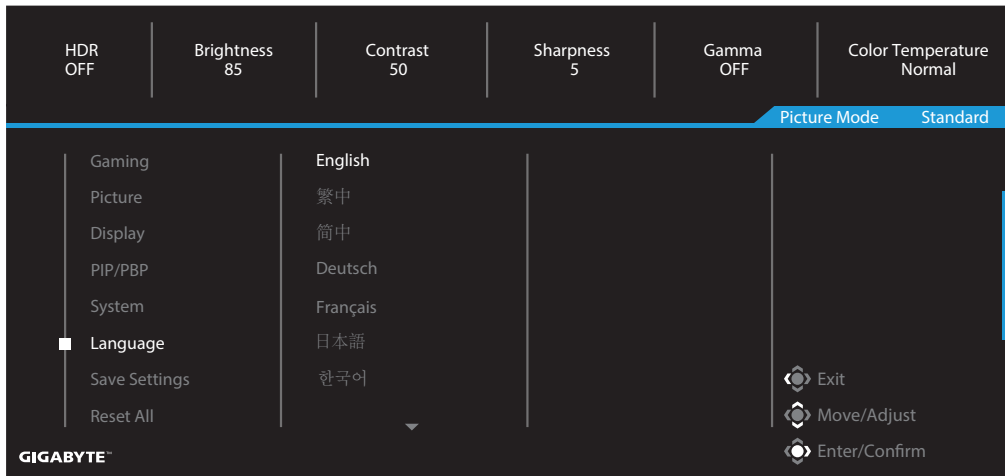
Configure the system related settings.



Item	Description
Audio	Configure the headphone settings. <ul style="list-style-type: none"> <li>• Volume: Adjust the volume level.</li> <li>• Mute: Enable/Disable the mute function.</li> </ul>
OSD Settings	Configure the on-screen display (OSD) menu related settings. <ul style="list-style-type: none"> <li>• Display Time: Set the length of time the OSD menu remains on the screen.</li> <li>• OSD Transparency: Adjust the OSD menu transparency.</li> </ul>
OSD Settings (continue)	<ul style="list-style-type: none"> <li>• OSD Lock: When this function is enabled, no OSD adjustment is allowed.</li> </ul> <p><b>Note:</b> To disable the OSD lock function, press the <b>Control</b> key. When the message appears on the screen, select <b>Yes</b> to confirm.</p> <div data-bbox="643 1340 924 1473" style="background-color: #333; color: #fff; padding: 5px; text-align: center;"> <p>The button is locked, confirm to unlock OSD.</p> <p>No <span style="margin-left: 50px;">Yes</span></p> </div>

Item	Description
Quick Switch	<p>Assign the function of the hot keys.</p> <p>Available options: Aim Stabilizer, Black Equalizer, Low Blue Light, Volume, Input, Contrast, Brightness, and Picture Mode.</p> <p>The default setting of the hot keys as below:</p> <ul style="list-style-type: none"> <li>⇒ Up (⬆️): Black Equalizer</li> <li>⇒ Down (⬆️): Picture Mode</li> <li>⇒ Right (⬆️): Input</li> <li>⇒ Left (⬆️): Volume</li> </ul>
Other Settings	<ul style="list-style-type: none"> <li>• Resolution Notice: When this function is enabled, the current resolution message will appear on the screen when the monitor switches to another input source.</li> <li>• Input Auto Switch: When this function is enabled, it automatically switches to an available input source.</li> <li>• Auto Power Off: When this function is enabled, the monitor will automatically turn off after a certain amount of time.</li> </ul>
Other Settings (continue)	<ul style="list-style-type: none"> <li>• DisplayPort Ver.: Set the DisplayPort version to 1.1, 1.2, 1.2+HDR</li> </ul> <p><b>Note:</b></p> <ul style="list-style-type: none"> <li>• Make sure to configure this option based on the DisplayPort version supported by your graphics card.</li> </ul>

## Language

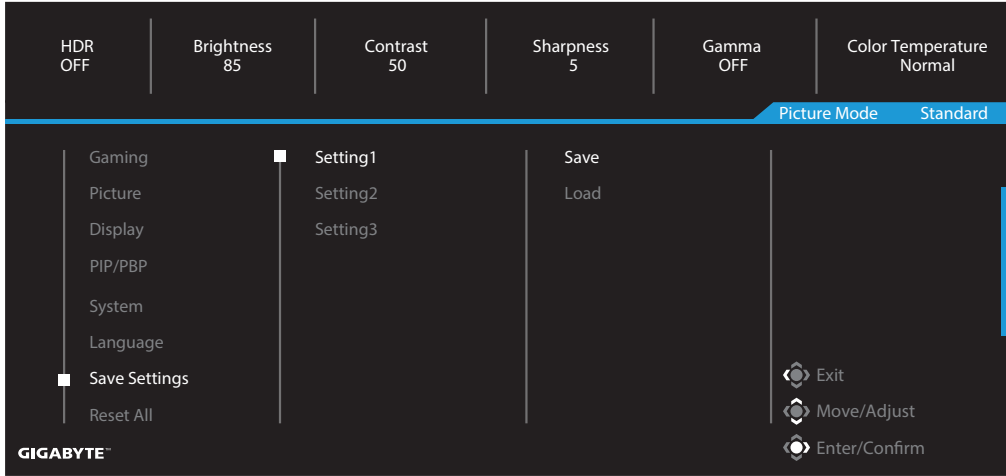


Item	Description
Language	Select an available language for the OSD menu.



## Save Settings

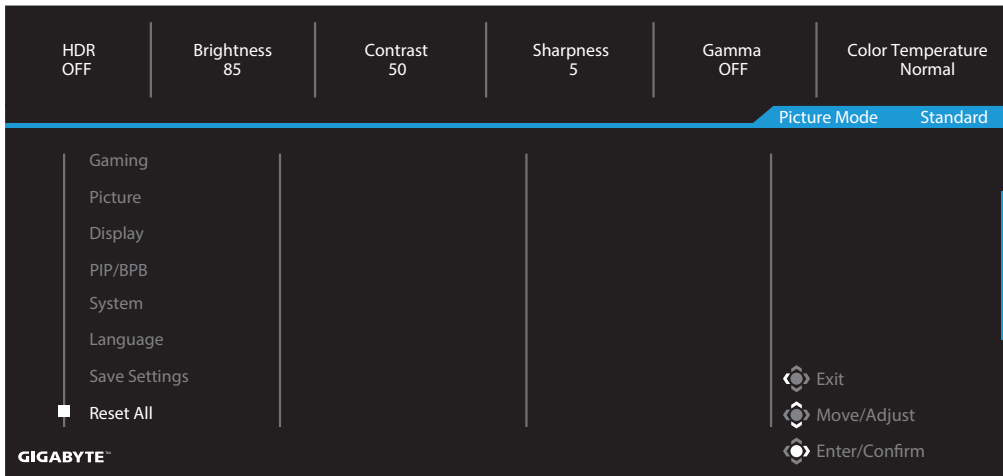
Save all data.



Item	Description
Setting1	After selecting, the Save and Load menu will appear for the player to choose.
Setting2	After selecting, the Save and Load menu will appear for the player to choose.
Setting3	After selecting, the Save and Load menu will appear for the player to choose.

## Reset All

Restore the monitor to its factory default settings.



# APPENDICES

## Specifications

Item	Specifications
Panel Size	27-inch
Aspect Ratio	16:9
Resolution	2560 x 1440
Refresh Rate	165Hz
LED Life	30000 hours (min.)
Pixel Pitch	0.2331(H) x 0.2331(V)
Response Time	1 ms MPRT
Brightness	250 nits (typ.) / 200 nits (min.)
Contrast Ratio	3000:1 (typ.)
Color Depth	16.7M ( 8Bit)
Active Display area	596.736(H) x 335.664(V)
Viewing Angle	178°(H)/178°(V)
Frequency	48~165Hz
Input/Output Terminals	<ul style="list-style-type: none"> <li>• 2x HDMI 2.0</li> <li>• 1x DP 1.2</li> <li>• 1x Headphone</li> <li>• 2x USB 3.0 (downstream) with BC 1.2 charging capability 5V/1.5A</li> <li>• 1x USB upstream</li> </ul>
Power Supply	AC 100 ~ 240V at 50/60Hz
Power Consumptions	<ul style="list-style-type: none"> <li>• On: 70W (Max.)</li> <li>• Standby: 0.3W</li> <li>• Off: 0.2W</li> </ul>
Dimensions (W x H x D)	700 X 481 X 248 mm (with Stand)
Weight	6.33 kg (Net)
Temperature Range (operation)	0°C to 40°C

**Note:** Specifications subject to change without notice.

## Supported Timing List

Port	QHD	Port	QHD
HDMI	640x480@60Hz	DP	640x480@60Hz
	640x480@75Hz		640x480@75Hz
	720x480@60Hz		720x480@60Hz
	800x600@60Hz		800x600@60Hz
	800x600@75Hz		800x600@75Hz
	1024x768@60Hz		1024x768@60Hz
	1024x768@75Hz		1024x768@75Hz
	1280x720@60Hz		1280x720@60Hz
	1280x720@120Hz		1280x720@120Hz
	1280x720@144Hz		1280x720@144Hz
	1920x1080@60Hz		1920x1080@60Hz
	1920x1080@120Hz		1920x1080@120Hz
	1920x1080@144Hz		1920x1080@165Hz
	2560x1440@60Hz		2560x1440@60Hz
	2560x1440@120Hz		2560x1440@120Hz
2560x1440@144Hz	2560x1440@165Hz		

## Troubleshooting

Problem	Possible Solution(s)
No power	<ul style="list-style-type: none"> <li>• Make sure the power cable is properly connected to the power source and the monitor.</li> <li>• Check the cable and plug to make sure they are not broken.</li> <li>• Make sure the monitor is turned on.</li> </ul>
No image appears on the screen	<ul style="list-style-type: none"> <li>• Make sure the monitor and the computer are properly connected and both devices are turned on.</li> <li>• Make sure you have selected the correct input source. Refer to page 25 or 34.</li> </ul>
The image does not fill the entire screen	<ul style="list-style-type: none"> <li>• Try different <b>Display Mode</b> (aspect ratio) setting. Refer to page 32.</li> </ul>
The colors are distorted	<ul style="list-style-type: none"> <li>• Make sure the input signal cable is properly connected.</li> <li>• Configure the image related settings. Refer to the "Picture" section.</li> </ul>
No sound or volume is low	<ul style="list-style-type: none"> <li>• Make sure the headphone cable is properly connected.</li> <li>• Adjust the volume level. Refer to page 27 or 36.</li> <li>• Check the <b>Audio Source</b> setting.</li> <li>• Adjust your computer sound related settings.</li> </ul>

**Note:** If the problem persists, please contact our customer service for further assistance.

## Basic Care

When the screen becomes dirty, do the following to clean the screen:

- Wipe the screen with your soft, lint-free cloth to remove any residual dust.
- Spray or apply the cleaning fluid onto a soft cloth. Then wipe the screen gently with the damp cloth.

### Note:

- Make sure that the cloth is damp, but not wet.
- When wiping, avoid applying excessive pressure on the screen.
- Acidic or abrasive cleaners can damage the screen.

## Notes on USB Charging

The following devices are not compatible with BC 1.2 of CDP mode. When the Hub is connected to a PC, these devices cannot be charged using the USB cable.

Vendor	Device	PID/VID
Apple	iPad	PID_129A/VID_05AC
Samsung	Galaxy Tab2 10.1	PID_6860/VID_04E8
Samsung	GALAXY TabPro	PID_6860/VID_04E8

## GIGABYTE Service Information

More service information, please visit GIGABYTE official website:

<https://www.gigabyte.com/>