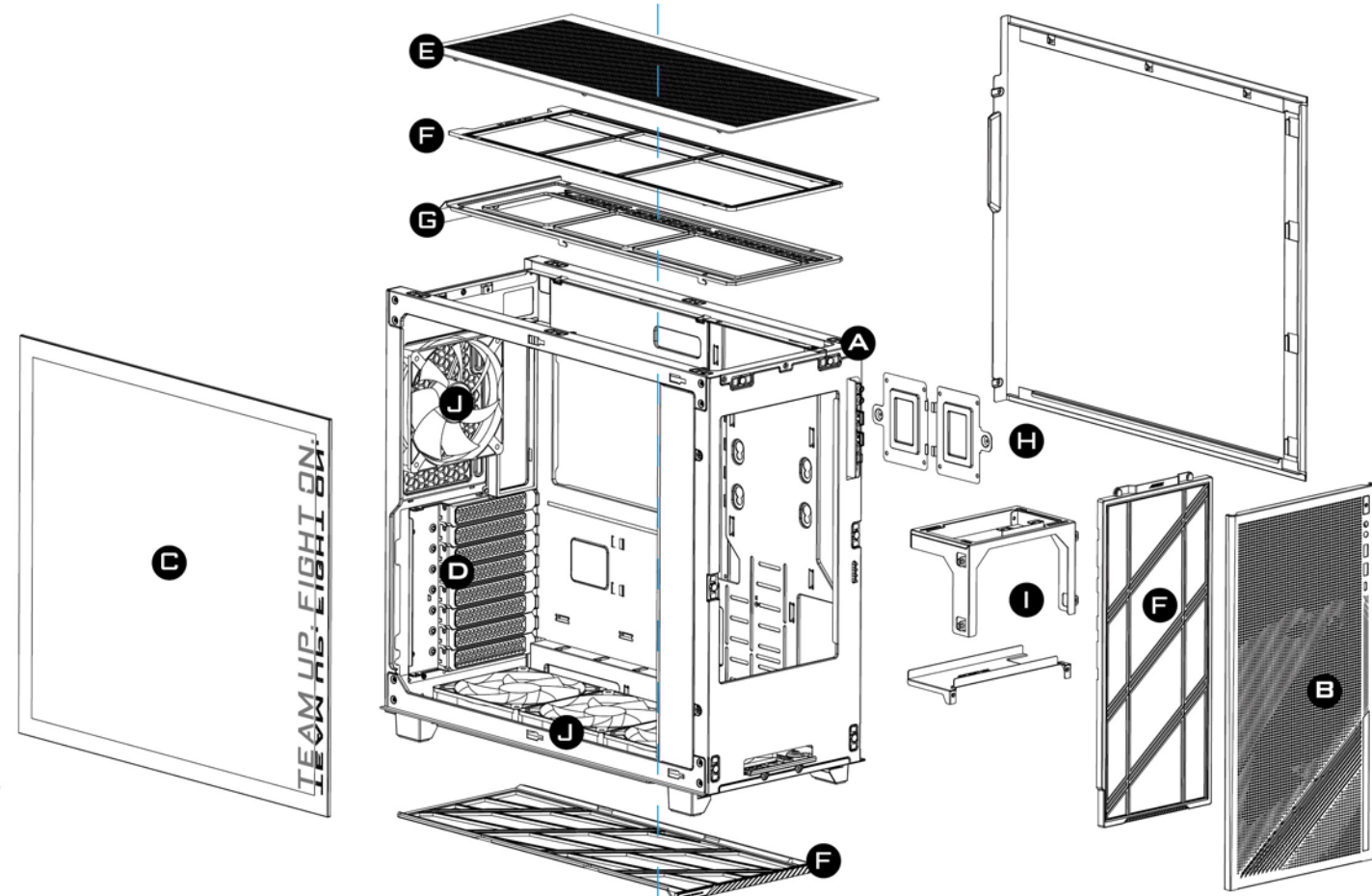




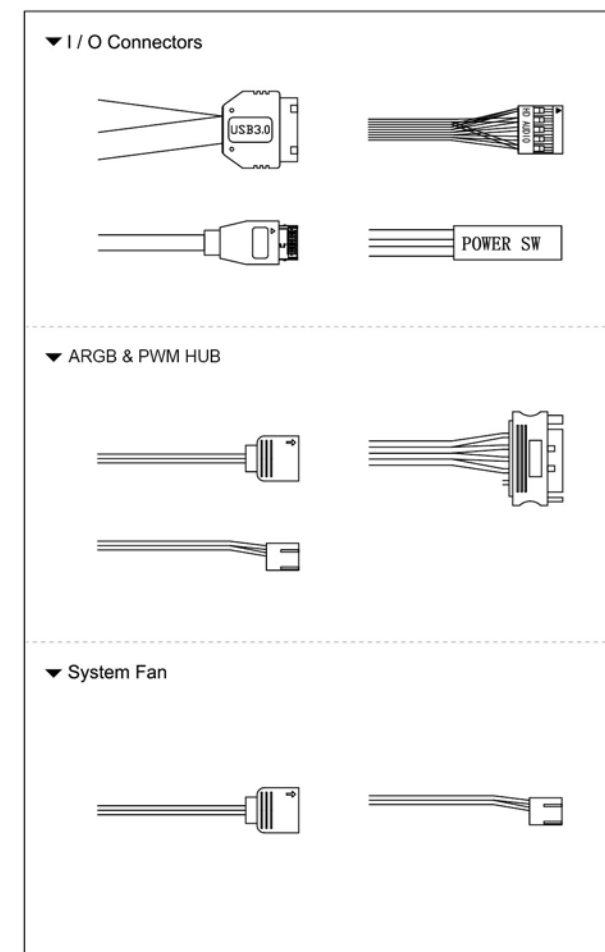
C400 GLASS

INSTALLATION GUIDE

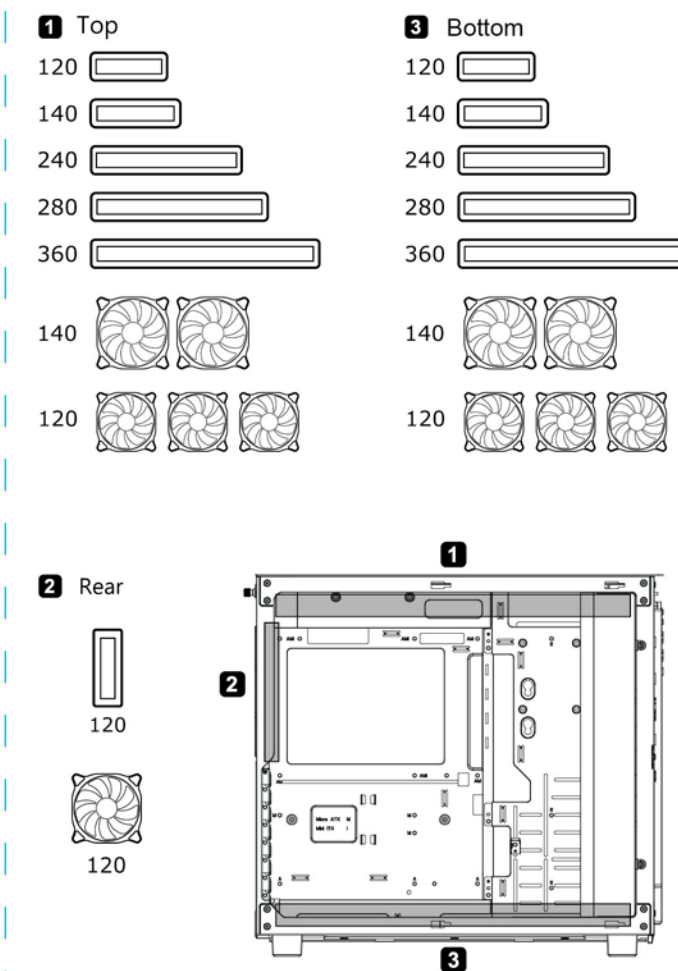
Assembly Drawing



- A** I/O
- B** Front panel
- C** Tempered glass side panel
- D** Vertical and horizontal graphics card installation
- E** Top panel
- F** Detachable dust filter
- G** Detachable fan/radiator bracket
- H** 2.5" drive bays
- I** PSU mounting bracket
- J** ARGB & PWM fans (Pre-installed 120mm*4)



Install water cooling radiators & cooling fans



Warranty

Gigabyte provides limited product warranty. For the latest and current terms of the Limited Product Warranty, please visit <http://www.gigabyte.com/support-downloads/customer-service.aspx>.

WEEE Information

This symbol on the product or in the instructions means that your electrical and electronic equipment should be disposed at the end of its life separately from your household waste. There are separate collection systems for recycling in the EU. For more information, please contact the local authority or your retailer where you purchased the product.

符合中国《电器电子产品有害物质限制使用管理办法》标示
产品中有害物质的名称及含量



部件名称	有毒有害物质或元素					
	铅(Pb)	汞(Hg)	镉(Cd)	六价铬(Cr(VI))	多溴联苯(PBB)	多溴二苯醚(PBDE)
机箱组	X	○	○	○	○	○
盖板组	X	○	○	○	○	○
I/O模块	X	○	○	○	○	○
风扇	X	○	○	○	○	○
安装套件	X	○	○	○	○	○
电源	X	○	○	○	○	○

本表格依据 SJ/T 11364 的规定编制。
○：表示该有害物质在该部件所有均质材料中的含量均在 GB/T 26572 规定的限量要求以下。
X：表示该有害物质至少在该部件的某一均质材料中的含量超出 GB/T 26572 规定的限量要求，但所有部件都符合欧盟 RoHS 要求。

Asia (Headquarters)
GIGA-BYTE TECHNOLOGY CO., LTD.
Address: No.6, Baoqiang Rd., Xindian Dist., New Taipei City 231
Tel: +886-2-8912-4000
<http://www.gigabyte.com>

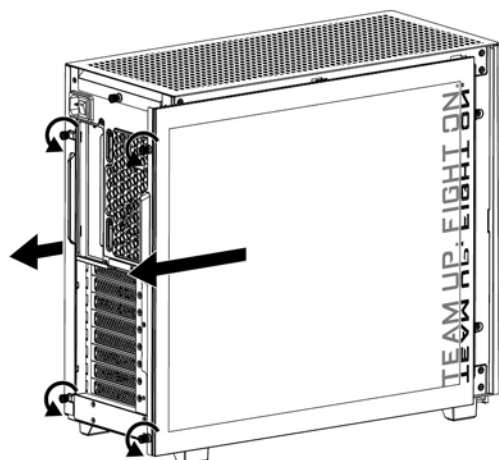
China
GIGABYTE CHINA
Address: 24/F, HaiTong Securities Tower, No.689 Guangdong Road, Shanghai, China
Tel: +86-21-6340-0912

Europe
G.B.T. TECHNOLOGY TRADING GMBH Germany
Address: Bullenkoppel 16, 22047 Hamburg, Deutschland
Tel: +49-40-25 33 040

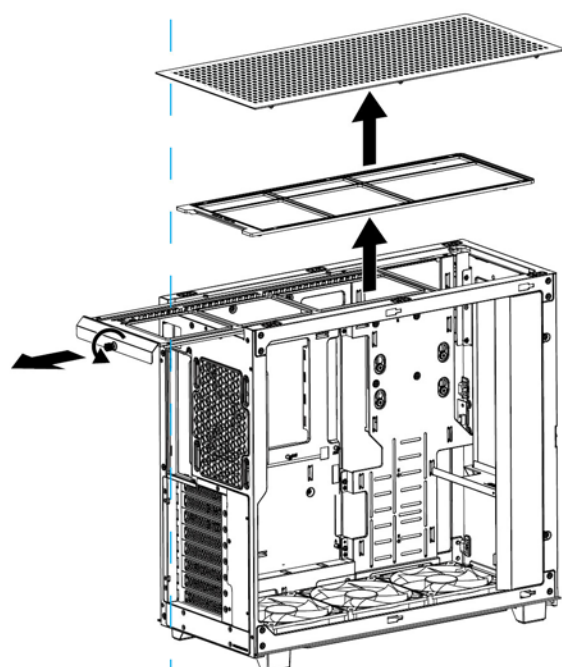
North America
G.B.T. INC. USA
Address: 17358 Railroad Street, City of Industry, CA91748 USA
Tel: +1-626-854-9338

Remove the panels

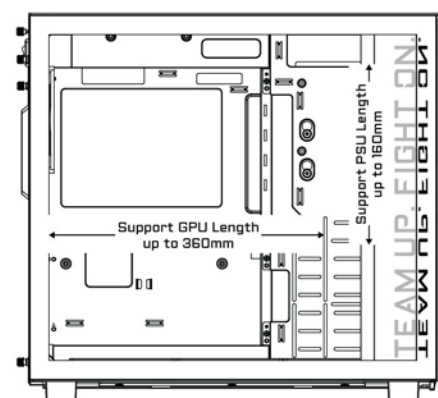
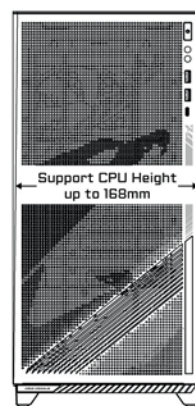
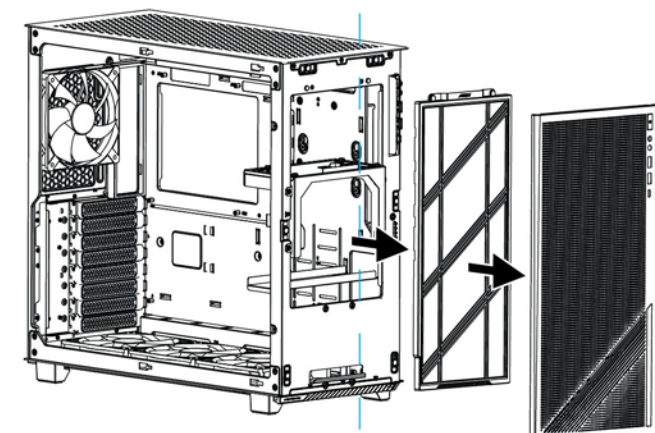
Side Panel



Top Panel



Front Panel

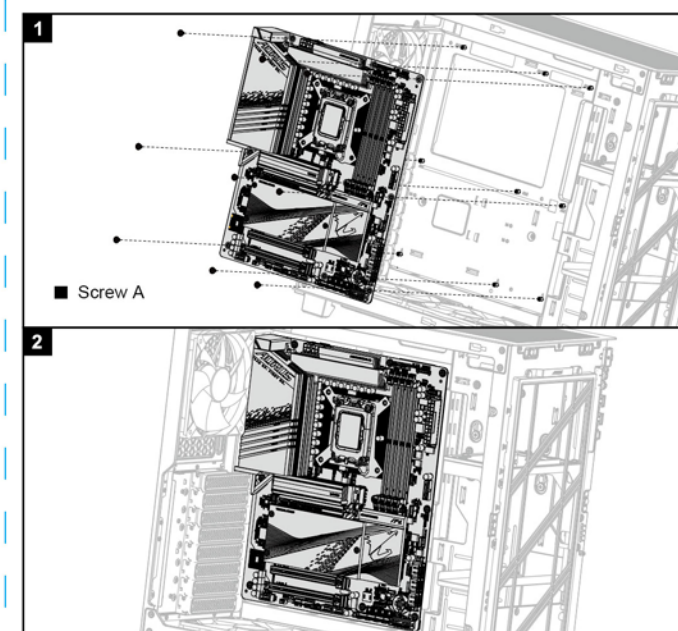


Maximum Compatibility and Accessory Kit

Figure	Part's Name	Qty	Used For
	Screw A	23	Motherboard (11) / SSD (12)
	Screw B	4	PSU
	Screw C	32	3.5"HDD (4) / Drive bracket (24) / VGA holder kit (1) / VGA mounting kit (3)
	Screw D	4	3.5"HDD
	Standoff - 6.5mm	11	Motherboard (8, pre-installed) / Backup (3)
	Net setter	1	Standoff installation
	Rubbers	4	3.5"HDD
	Cable tie	5	Cable management
	Spare part	2	Front panel
	VGA Holder Kit	1	VGA holder installation
	Anti-vibration Pad	1	VGA Holder kit

	VGA mounting kit	1	VGA vertical installation
	Drive bracket	6	3.5"HDD installation

Install the motherboard



For 2.5" SSD

■ Screw A

2.5" SSD & 3.5" HDD install on the right cabin directly

■ Screw A

■ Rubbers

■ Screw D

For 3.5" HDD (Please remove the pre-installed fans on the bottom before assembling HDDs)

■ Screw C

3.5" HDD installs on the left cabin directly

■ Drive bracket

■ Screw C

■ Screw C

■ Screw C

Install the power supply

■ Screw B

Horizontal graphics card installation

Vertical graphics card installation - supports up to 5 Slot (<107mm total clearance)

*Before installing vertically, please adjust the bracket's direction first.

■ VGA mounting kit

■ Screw C

*Requires the PCIe riser cable (not included).

*Remember to plug the PCIe riser cable into the graphics card in this step.

Install the VGA holder kit

■ Anti-vibration pad

■ VGA holder kit

*VGA holder kit selects the installation position based on the size of the graphics card.

RGB & Fan control system

RGB FUSION

With 16.7M customizable color options and numerous lighting effects, you can choose any lighting effect or synchronize with other devices in GIGABYTE CONTROL CENTER.

*The type of RGB lighting effect depends on the MB support.

■ Please use the included hub (refer the image below) to connect the ARGB and PWM fans.

Motherboard

PSU

MB FAN

3PIN ARGB

ARGB for chassis light

ARGB FAN

Motherboard