

## R272-Z30

Rack Server - 2U UP 12-Bay



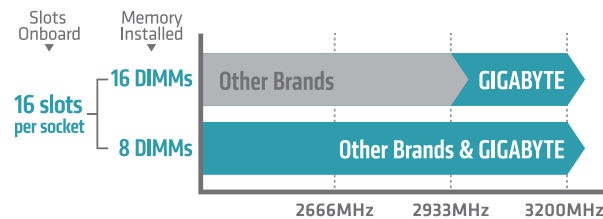
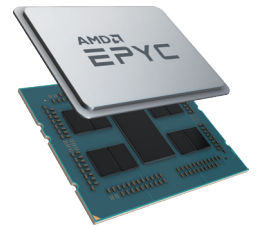
### Features

- Single AMD EPYC™ 7002 series processor family
- 8-Channel RDIMM/LRDIMM DDR4, 16 x DIMMs
- 2 x 1Gb/s LAN ports (Intel® I350-AM2)
- 1 x Dedicated management port
- 12 x 3.5" SATA/SAS hot-swap HDD/SSD bays in front side
- 2 x 2.5" SATA/SAS hot-swap HDD/SSD bays in rear side
- Ultra-Fast M.2 with PCIe Gen3 x4 interface
- 6 x PCIe Gen4 / Gen3 expansion slots
- 1 x OCP 2.0 Gen3 x16 mezzanine slot
- Aspeed® AST2500 remote management controller
- 1+1 800W 80 PLUS Platinum redundant power supply

### AMD EPYC™ 7002 Series Processor (Rome)

The next generation of AMD EPYC has arrived, providing incredible compute, IO and bandwidth capability – designed to meet the huge demand for more compute in big data analytics, HPC and cloud computing.

- ✓ Built on **7nm** advanced process technology, allowing for denser compute capabilities with lower power consumption
- ✓ Up to **64 core** per CPU, built using Zen 2 high performance cores and AMD's innovative chiplet architecture
- ✓ Supporting **PCIe Gen 4.0** with a bandwidth of up to 64GB/s, twice of PCIe Gen 3.0
- ✓ **Embedded security protection** to help defend your CPU, applications, and data



### Get the Memory Performance Edge

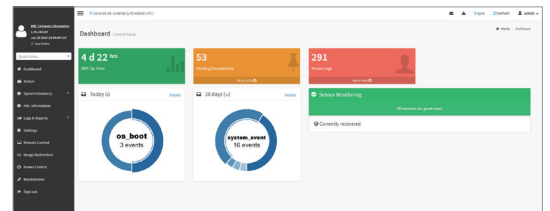
#### 3200Mhz Even at 2 DIMMS Per Channel

On previous AMD server platforms, memory speed has been automatically downgraded by design when a user installed two DIMMs per channel. GIGABYTE has now developed a unique solution to overcome this performance downgrade headache: with our new 2nd Generation AMD EPYC 7002 Series server platforms, maximum memory speed (3200Mhz) is now supported even when using 2 DIMMS per channel\*. GIGABYTE's server platforms give you the performance edge, with more memory capacity at faster speeds than competing solutions!

### GIGABYTE Management Console (AMI MegaRAC SP-X)

This GIGABYTE server product utilizes a AMI MegaRAC SP-X platform for BMC server management, with a feature rich and easy to use browser-based graphical user interface. Notable features include:

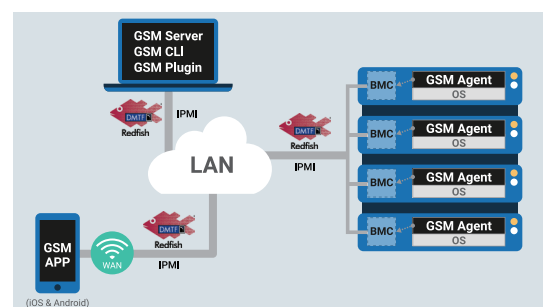
- **RESTful API support** (including the latest DMTF standards of Redfish) allows the administrator to integrate with 3rd party applications for server management
- **HTML5-based iKVM** remote management client included as a standard feature, no additional add-on license required to purchase
- **Detailed FRU information** from SMBIOS
- **Pre-event automatic video recording** feature from 10 to 30 seconds
- **SAS / RAID controller monitoring** feature



### GIGABYTE Server Management (GSM)

GIGABYTE Server Management (GSM) is GIGABYTE's proprietary multiple server remote management software platform, available as a free download from each GIGABYTE server product page. GSM is compatible with either IPMI or Redfish (RESTful API) connection interfaces, and comprises the following sub-programs:

- **GSM Server** • **GSM CLI** • **GSM Agent** • **GSM Mobile** • **GSM Plugin**



## Specification

<b>Dimensions (WxHxD)</b>	1U 438 x 43.5 x 710 mm	<b>Power Supply</b>	1+1 800W 80 PLUS Platinum redundant PSUs  AC Input: - 100-240V~/ 10-4A, 50-60Hz DC Input: - 240Vdc/ 4.5A DC Output: - 800W +12V/ 66A +12Vsb/ 2.5A  NOTE: Select 1200W power supply if using 280W CPU with full loading configuration
<b>Motherboard</b>	MZ32-AR0	<b>System Management</b>	Aspeed® AST2500 management controller GIGABYTE Management Console (AMI MegaRAC SP-X)  Dashboard JAVA Based Serial Over LAN HTML5 KVM Sensor Monitor (Voltage, RPM, Temperature, CPU Status ...etc.) Sensor Reading History Data FRU Information SEL Log in Linear Storage / Circular Storage Policy Hardware Inventory Fan Profile System Firewall Power Consumption Power Control LDAP / AD / RADIUS Support Backup & Restore Configuration Remote BIOS/BMC/CPLD Update Event Log Filter User Management Media Redirection Settings PAM Order Settings SSL Settings SMTP Settings
<b>CPU</b>	AMD EPYC™ 7002 series processor family Single processors, 7nm Up to 64-core, 128 threads per processor TDP up to 225W, cTDP up to 240W Conditional support 280W  Compatible with AMD EPYC™ 7001 series processor	<b>OS Compatibility</b>	Windows Server 2016 ( X2APIC/256T not supported) Windows Server 2019 Red Hat Enterprise Linux 7.6 ( x64) or later Red Hat Enterprise Linux 8.0 ( x64) or later SUSE Linux Enterprise Server 12 SP4 ( x64) or later SUSE Linux Enterprise Server 15 SP1 ( x64) or later Ubuntu 16.04.6 LTS (x64) or later Ubuntu 18.04.3 LTS (x64) or later VMware ESXi 6.5 EP15 or later VMware ESXi 6.7 Update3 or later Citrix Hypervisor 8.1.0
<b>Socket</b>	Socket SP3	<b>Weight</b>	Net Weight: 17 kg Gross Weight: 24 kg
<b>Chipset</b>	System on Chip	<b>System Fans</b>	4 x 80x80x38mm (16,300rpm)
<b>Memory</b>	16 x DIMM slots DDR4 memory supported only 8-Channel memory architecture RDIMM modules up to 64GB supported LRDIMM modules up to 128GB supported Memory speed: Up to 3200*/ 2933 MHz  * Follow BIOS setting and memory QVL list if running 3200 Mhz with 2DPC	<b>Operating</b>	Operating temperature: 10°C to 35°C Operating humidity: 8%-80% (non-condensing) Non-operating temperature: -40°C to 60°C Non-operating humidity: 20%-95% (non-condensing)
<b>LAN</b>	2 x 1GbE LAN ports (1 x Intel® I350-AM2) 1 x 10/100/1000 management LAN	<b>Packaging Content</b>	1 x R272-Z30 system 1 x CPU heatsink 1 x Rail kit
<b>Video</b>	Integrated in Aspeed® AST2500 2D Video Graphic Adapter with PCIe bus interface 1920x1200@60Hz 32bpp	<b>Part Numbers</b>	Barebone package: 6NR272Z30MR-00 Spare parts: - Motherboard: 9MZ32AR0NR-00 - Rail kit: 25HB2-3A0202-K0R - CPU heatsink: 25ST1-15320E-J1R - Back plane board_12-port: 9CBP20C4NR-00 - Back plane board_2-port: 9CBP2021NR-00 - Front panel board: 9CFP2001NR-00 - Fan module: 25ST2-883829-D0R - Power supply: 25EP0-208004-L0S - Fan duct for 280W CPU: 25HA8-R27231-S5R ( optional)
<b>Storage</b>	Front side: 12 x 3.5"/2.5" SATA/SAS hot-swap HDD/SSD bays - 8 x from optional SAS HBA and 4 x from onboard SATA ports Rear side: 2 x 2.5" SATA/SAS hot-swap HDD/SSD bays - from onboard SATA ports SAS card is required for SAS devices support 4 x SATA in front side and 2 x SATA in rear side are available in default setting	<b>Internal I/O</b>	2 x M.2 slots, 1 x USB 3.0 header, 1 x USB 2.0 header, 1 x COM_2 header, 1 x TPM header, 1 x Front panel header, 1 x HDD back plane board header, 1 x PMBus connector, 1 x IPMB connector, 1 x Clear CMOS jumper, 1 x Buzzer 1 x BIOS recovery jumper,
<b>Expansion Slots</b>	Total 6 x low profile PCIe Gen4 / Gen3 expansion slots - Slot_6: 1 x PCIe x16 (Gen4 x16) slot - Slot_5: 1 x PCIe x16 (Gen4 x8) slot - Slot_4: 1 x PCIe x16 (Gen4 x16) slot - Slot_3: 1 x PCIe x16 (Gen4 x16) slot - Slot_2: 1 x PCIe x8 (Gen3 x0 or x8) slot - Slot_1: 1 x PCIe x16 (Gen3 x16 or x8) slot; shared with slot_2  1 x OCP 2.0 mezzanine slot with PCIe Gen3 x16 - Type1, P1, P2, P3, P4; Type2 P5 with NCSI supported  2 x M.2 slot: - M-key, PCIe Gen3 x4 - Supports NGFF-2242/2260/2280 cards	<b>Front I/O</b>	2 x USB 3.0, 1 x Power button with LED, 1 x ID button with LED, 1 x NMI button, 1 x Reset button, 2 x LAN activity LEDs, 1 x HDD activity LED, 1 x System status LED
<b>Internal I/O</b>	2 x M.2 slots, 1 x USB 3.0 header, 1 x USB 2.0 header, 1 x COM_2 header, 1 x TPM header, 1 x Front panel header, 1 x HDD back plane board header, 1 x PMBus connector, 1 x IPMB connector, 1 x Clear CMOS jumper, 1 x Buzzer 1 x BIOS recovery jumper,	<b>Rear I/O</b>	3 x USB 3.0, 1 x VGA, 1 x COM, 2 x RJ45, 1 x MLAN, 1 x ID button with LED
<b>Front I/O</b>	2 x M.2 slots, 1 x USB 3.0 header, 1 x USB 2.0 header, 1 x COM_2 header, 1 x TPM header, 1 x Front panel header, 1 x HDD back plane board header, 1 x PMBus connector, 1 x IPMB connector, 1 x Clear CMOS jumper, 1 x Buzzer 1 x BIOS recovery jumper,	<b>Backplane I/O</b>	Front side_CBP20C4: 12 x SATA/SAS ports Rear side_CBP2021: 2 x SATA/SAS ports Speed and bandwidth: SATA 6Gb/s or SAS 12Gb/s per port
<b>Rear I/O</b>	2 x M.2 slots, 1 x USB 3.0 header, 1 x USB 2.0 header, 1 x COM_2 header, 1 x TPM header, 1 x Front panel header, 1 x HDD back plane board header, 1 x PMBus connector, 1 x IPMB connector, 1 x Clear CMOS jumper, 1 x Buzzer 1 x BIOS recovery jumper,	<b>TPM</b>	1 x TPM header with SPI interface Optional TPM2.0 kit: CTM010

\* All specifications are subject to change without notice. Please visit our website for the latest information.

\* AMD, and the AMD Arrow logo, AMD EPYC, AMD Radeon Instinct and combinations thereof are trademarks of Advanced Micro Devices, Inc.



www.gigabyte.com



gigabyteserver



@GIGABYTESERVER



GIGABYTE