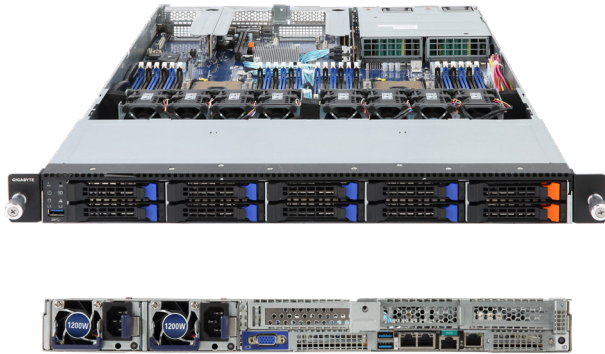


## R181-N20

Rack Server - 1U DP 10-Bay



### Features

- 2nd Gen. Intel® Xeon® Scalable Processors
- 6-Channel RDIMM/LRDIMM DDR4, 24 x DIMMs
- Supports Intel® Optane™ DC Persistent Memory
- Dual 1Gb/s LAN ports (Intel® I350-AM2)
- 1 x Dedicated management port
- 2 x 2.5" NVMe, 8 x 2.5" SATA/SAS hot-swap HDD/SSD bays
- 3 x PCIe Gen3 x16 expansion slots
- 2 x OCP Gen3 x16 mezzanine slots
- Aspeed® AST2500 remote management controller
- 1+1 1200W 80 PLUS Platinum redundant power supply

### Intel® Xeon® Scalable Family Processors

GIGABYTE's Intel® Xeon® Scalable Processor family servers are available in dual socket configurations, and are compatible with the full family of different SKUs (Bronze, Silver, Gold and Platinum) that are workload optimized to support different applications, from enterprise IT database, cloud and storage to the most high-demand HPC workloads.

#### Compute:

- Up to 28 cores / 56 threads per socket
- Up to 38.5 MB L3 cache (non-inclusive)
- Up to 3x UPI socket interconnects @10.4 GT/s
- CPU TDP 70W – 205W

#### Memory:

- 6 channels, 2 DIMMs per channel
- Up to 12 DIMMS per socket
- Up to 2933MHz max memory speed
- Intel Optane DC Persistent Memory ready



#### I/O:

- 48 PCIe 3.0 lanes per socket

### Intel® Optane™ DC Persistent Memory Ready

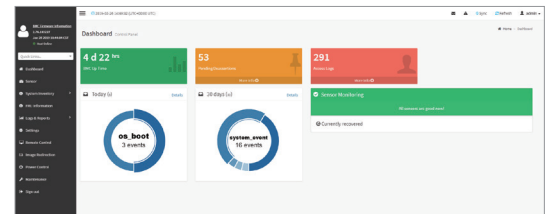
GIGABYTE's 2nd Gen. Intel® Xeon® Scalable family servers come ready to support Intel Optane DC Persistent Memory, a revolutionary new product that re-defines traditional memory & storage architectures by enabling a large persistent memory tier between DRAM and SSDs, that's higher capacity than DRAM and faster than SSDs, enabling the user to bring more data closer to the CPU for faster time for insight.



### GIGABYTE Management Console (AMI MegaRAC SP-X)

This GIGABYTE server product utilizes a AMI MegaRAC SP-X platform for BMC server management, with a feature rich and easy to use browser-based graphical user interface.

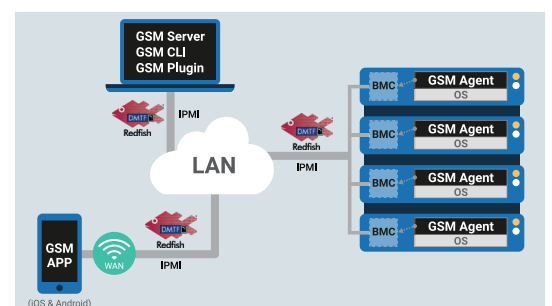
- **RESTful API support** (including the latest DMTF standards of Redfish) allows the administrator to integrate with 3rd party applications for server management
- **HTML5-based iKVM** remote management client included as a standard feature, no additional add-on license required to purchase
- **Detailed FRU information** from SMBIOS
- **Pre-event automatic video recording** feature from 10 to 30 seconds
- **SAS / RAID controller monitoring** feature



### GIGABYTE Server Management (GSM)

GIGABYTE Server Management (GSM) is GIGABYTE's proprietary multiple server remote management software platform, available as a free download from each GIGABYTE server product page. GSM is compatible with either IPMI or Redfish (RESTful API) connection interfaces, and comprises the following sub-programs:

- **GSM Server** • **GSM CLI** • **GSM Agent** • **GSM Mobile** • **GSM Plugin**



## Specification

<b>Dimensions (WxHxD)</b>	1U 438 x 43.5 x 730 mm	<b>Power Supply</b>	1+1 1200W 80 PLUS Platinum redundant PSUs  AC Input: - 100-240V~/ 12-7A, 50-60Hz DC Input: - 240Vdc/ 6A DC Output: - Max 1000W/ 100-240V~ +12V/ 80.5A +12Vsb/ 3A - Max 1200W/ 200-240V~ or 240Vdc input +12V/ 97A +12Vsb/ 3A
<b>Motherboard</b>	MR91-FS0	<b>System Management</b>	Aspeed® AST2500 management controller GIGABYTE Management Console (AMI MegaRAC SP-X)  Dashboard JAVA Based Serial Over LAN HTML5 KVM Sensor Monitor (Voltage, RPM, Temperature, CPU Status ...etc.) Sensor Reading History Data FRU Information SEL Log in Linear Storage / Circular Storage Policy Hardware Inventory Fan Profile System Firewall Power Consumption Power Control LDAP / AD / RADIUS Support Backup & Restore Configuration Remote BIOS/BMC/CPLD Update Event Log Filter User Management Media Redirection Settings PAM Order Settings SSL Settings SMTP Settings
<b>CPU</b>	2nd Generation Intel® Xeon® Scalable Processors Intel® Xeon® Platinum Processor, Intel® Xeon® Gold Processor, Intel® Xeon® Silver Processor and Intel® Xeon® Bronze Processor CPU TDP up to 205W NOTE: If only 1 CPU is installed, some PCIe or memory functions might be unavailable	<b>OS Compatibility</b>	For Cascade Lake processors: Windows Server 2012 R2 with Update Windows Server 2016 Windows Server 2019 Red Hat Enterprise Linux 7.6 (x64) or later Red Hat Enterprise Linux 8.0 (x64) or later SUSE Linux Enterprise Server 12.3 (x64) or later SUSE Linux Enterprise Server 15 (x64) or later Ubuntu 18.04 LTS (x64) or later VMware ESXi 6.0 Update3 or later VMware ESXi 6.5 Update2 or later VMware ESXi 6.7 Update1 or later Citrix XenServer 7.1.0 CU2 or later Citrix XenServer 7.5.0 or later Citrix Hypervisor 8.0.0 or later
<b>Socket</b>	2 x LGA 3647, Socket P	<b>Weight</b>	13 kg
<b>Chipset</b>	Intel® C621 Express Chipset	<b>System Fans</b>	8 x 40x40x56mm (23'000rpm)
<b>Memory</b>	24 x DIMM slots DDR4 memory supported only 6-channel memory per processor architecture RDIMM modules up to 64GB supported LRDIMM modules up to 128GB supported Supports Intel® Optane™ DC Persistent Memory (DCPMM) 1.2V modules: 2933(1DPC)/2666/2400/2133 MHz  NOTE: 1. 2933MHz for 2nd Generation Intel® Xeon® Scalable Processors only 2. Intel® Optane™ DC Persistent Memory for 2nd Generation Intel® Xeon® Scalable Processors only 3. The maximum number of DCPMM that can be installed is based on a maximum operating (ambient) temperature of 35°C 4. To enquire about installing a greater number of DCPMM, please consult with your GIGABYTE technical or sales representative	<b>Operating Properties</b>	Operating temperature: 10°C to 35°C Operating humidity: 8%-80% (non-condensing) Non-operating temperature: -40°C to 60°C Non-operating humidity: 20%-95% (non-condensing)
<b>LAN</b>	2 x 1Gb/s BASE-T LAN ports (Intel® I350-AM2) 1 x 10/100/1000 management LAN	<b>Packaging Content</b>	1 x R181-N20, 2 x CPU heatsinks, 1 x Rail kit, 1 x VROC module, 2 x Non-Fabric CPU carrier
<b>Video</b>	Integrated in Aspeed® AST2500 2D Video Graphic Adapter with PCIe bus interface 1920x1200@60Hz 32bpp, DDR4 SDRAM	<b>Part Numbers</b>	Barebone package: 6NR181N20MR-00 - Motherboard: 9MR91FS0NR-00 - VROC module: 25FD0-R181N0-10R - Rail kit: 25HB2-3A0202-K0R - CPU heatsink: 25ST1-253100-F2R - Back plane board: 9CBP10A2NR-00 - Front panel board: 9CFP1000NR-00 - Power supply: 25EP0-212002-F3S - RJ45 type COM cable: 25CR0-200400-Y4R (as an option) - U.2 card_CNVP122: 9CNVP122NR-00, 2 x U.2 ports - Riser card - CRS1021: 9CRS1021NR-00 - Riser card - CRS1015: 9CRS1015NR-00
<b>Storage</b>	2 x 2.5" U.2 or SATA/SAS hybrid ports, 8 x 2.5" SATA/SAS hot-swappable HDD/SSD bays SAS card is required for SAS devices support		
<b>SATA</b>	2 x 7-pin SATA III 6Gb/s with SATA DOM supported By using pin_8 or external cable for power function		
<b>SAS</b>	Supported via add-on SAS Card		
<b>RAID</b>	Intel® SATA RAID 0/1/10/5 Intel® Virtual RAID On CPU (VROC) RAID 0, 1 Note: VROC module is compatible for Intel® SSD only		
<b>Expansion Slots</b>	Riser Card CRS1021: - 2 x PCIe x8 slots (Gen3 x8), LPHL  Riser Card CRS1015: - 1 x PCIe x16 slot (Gen3 x16), LPHL  2 x OCP mezzanine slots - PCIe Gen3 x16 - Type1, P1, P2, P3, P4, K2, K3		
<b>Internal I/O</b>	2 x Power supply connectors, 4 x SlimSAS connectors, 2 x SATA 7-pin connectors, 2 x CPU fan headers, 1 x USB 3.0 header, 1 x TPM header, 1 x VROC connector, 1 x Front panel header, 1 x HDD back plane board header, 1 x IPMB connector, 1 x Clear CMOS jumper, 1 x BIOS recovery jumper		
<b>Front I/O</b>	1 x USB 3.0, 1 x Power button with LED, 1 x ID button with LED, 1 x Reset button, 1 x NMI button, 1 x System status LED, 1 x HDD activity LED, 2 x LAN activity LEDs		
<b>Rear I/O</b>	2 x USB 3.0, 1 x VGA, 1 x COM (RJ45 type), 2 x RJ45, 1 x MLAN, 1 x ID button with LED		
<b>Backplane I/O</b>	2 x U.2 ports Bandwidth: PCIe Gen3 x4 per port 8 or 10 x SATA/SAS ports Bandwidth: SATAIII 6Gb/s or SAS 12Gb/s per port		
<b>TPM</b>	1 x TPM header with LPC interface Optional TPM2.0 kit: CTM000		

\* All specifications are subject to change without notice. Please visit our website for the latest information.

\* Intel, the Intel logo, the Intel Inside logo, Xeon, and Optane are trademarks of Intel Corporation or its subsidiaries.

